



# The Gazette of Pakistan

PUBLISHED BY AUTHORITY

No. 9]

KARACHI, WEDNESDAY, MARCH 3, 2021

## CONTENTS

| PAGES   | PAGES  |
|---|--|
| <b>PART I</b> — Notifications regarding appointments, promotions, etc., issued by Ministries/Divisions of the Government of Pakistan, Department of the Auditor-General of Pakistan and the Supreme Court of Pakistan other than the Ministry of Defence and Ministry of Defence Production . . . . . | <b>PART IV</b> — Notifications issued by the minor administrations and miscellaneous notification not included in any other part . . . . . |
| 207—228   | 19—20  |
| <b>PART II</b> — Notifications issued by the Ministry of Defence and Ministry of Defence Production . . . . .   | <b>PART V</b> — Notifications etc., issued by The Patent Office. . . . .   |
| 55—66   | 57—67  |
| <b>PART III</b> — Notifications issued by the High Courts, the Federal Public Service Commission and by the Attached and Subordinate Offices of the Government of Pakistan . . . . .  | <b>PART VI</b> — Advertisements and Notices issued by Corporate Bodies and Private Individuals on payment . . . . .                        |
| 121—132   | 11—X   |
|   | <b>SUPPLEMENT NO.</b>  |
|   | Weekly, notification of cases and deaths from quarantiable diseases . . . . .  |

## PART I

## Notifications regarding appointments, promotions, etc. issued by Ministries/Divisions of the Government of Pakistan, Department of the Auditor-General of Pakistan and the Supreme Court of Pakistan other than the Ministry of Defence and Ministry of Defence Production

## PRESIDENT'S SECRETARIAT (PERSONAL)

Islamabad, the 12th February, 2021

**No. 514(1)-Admn/2020-(Estb).**—Mr. Muhammad Asghar, APS (BPS-16) of this Secretariat is hereby granted thirty (30) days leave on full pay (LFP) with effect from 15th February, 2021 to 16th March, 2021.

The officer is likely to resume his duties on the same post after availing leave.

YASIR SARDAR,  
Section Officer (Admn).

Pakhtunkhwa), Peshawar, regarding foregoing his promotion as Superintendent (BPS-16) against the said post in NAB (Multan), this Bureau's Notification No.1(2)/2020-CP(2), dated 24th September, 2020 regarding his promotion as Superintendent (BPS-16) against the said post in NAB (Multan), is withdrawn *ab-initio* owing to his domestic & Health issues, and on humanitarian/ compassionate grounds.

NAVEED ASHRAF,  
Additional Director (CP).

Islamabad, the 14th January, 2021

## NATIONAL ACCOUNTABILITY BUREAU

Islamabad, the 18th January, 2021

**No. 1(2)/2020-CP.**—Consequent upon request of Mr. Muhammad Rehman, Assistant (BPS-15) (already granted BPS-16 as one time dispensation), NAB (Khyber

**No. 3(1193)/R/2013/PM-II.**—In continuation of this Bureau's notification of even number dated 29th June, 2020, the worthy Chairman NAB is pleased to approve 90 days *ex-Pakistan* leave on half pay (LHP) with effect from 1st December, 2020 to 28th February, 2021 in lieu of 45 days leave on full pay in respect of Mr. Gul Anwar,

(207)

Assistant Director (BS-17), NAB (Rawalpindi) for medical treatment of his daughter at Hiroshima, Japan.

On expiry of leave, the officer shall resume his duties of the same post.

LUBNA BASHIR,  
Assistant Director (PM-II).

Islamabad, the 14th January, 2021

**No. 3(1819)/B/2017/PM-III.**—In pursuance of Office of the Controller General of Accounts Notification No.941/CGA/Establishment/Deputation/NAB/2020 dated 3rd December, 2020, the services of Mr. Ghazanfar Hussain Siddiqui, Assistant Accounts Officer (BPS-17), an officer of office of the Accountant General Balochistan, Quetta, presently working against the post of Assistant Director (BPS-17) / DDO NAB (Balochistan), Quetta stand repatriated to his parent department with immediate effect.

Islamabad, the 19th January, 2021

**No. F.3(1973)/B/2019-PM-III.**—The Director General (HRM) has approved period of 69 days absence from duty in respect of Mr. Mukesh Kumar, Superintendent (BPS-16), NAB (Balochistan), Quetta into Extra Ordinary leave (EOL) without pay with effect from 24th March, 2020 to 31st May, 2020.

**No. F.3(1973)/B/2019-PM-III.**—The competent authority in exercise of powers conferred under Section 11.01 of NAB Employees, TCS-2002 has imposed a major penalty of "Reduction to a lower post for a period of three (3) years with immediate effect" upon Mr. Mukesh Kumar, Superintendent (BPS-16) NAB (B), Quetta under Section 11.03 (1) (b) (i) of NAB's TCS-2002 on having been found guilty of the charge of "misconduct".

The opportunity of appeal is valid within 30 days of issuance of this order.

HAMZA NIHAL TARIQ,  
Assistant Director (PM-III).

CABINET SECRETARIAT

(Cabinet Division)

Islamabad, the 19th January, 2021

**No. F.1-6/2016-Admn-II.**—With the approval of Additional Secretary-III, Syed Zaki Hassan Naqvi, Section Officer (Org-III), is assigned to hold additional charge of the post of Section Officer (Org-I), Cabinet Division with immediate effect in addition to his own duties for a period of three (03) months, or till posting of the regular officer, whichever is earlier.

**No. F.1-6/2016-Admn-II.**—With the approval of Additional Secretary-III, Cabinet Division's notification of even number dated 19th January, 2021 regarding grant of Additional charge to Syed Zaki Hassan Naqvi, Section Officer (Org-III), for the post of Section Officer (Org-I), is hereby withdrawn /cancelled.

SARDAR MEHMOOD,  
Section Officer (Admn-II).

Islamabad, the 19th January, 2021

**No. F.4-23/97-Org-II.**—Consequent upon the recommendations of the Departmental Selection Board, the Cabinet Secretary has been pleased to approve promotion of Mr. Zahir Gul, Deputy Director (BS-18), as Director (BS-19), in the National Archives of Pakistan, with immediate effect.

The officer will be on probation for a period of one year, extendable further for another year, provided that if no orders are issued within two years of promotion, the probation period shall be deemed to have been completed successfully in accordance with provision of sub-Section 6 of the Civil Servants Act, 1973.

SYED ABID AHMED,  
Section Officer (Org-II).

(Aviation Division)

Islamabad, the 2nd December, 2020

**No. 2/10/2017/Met.**—In pursuance of the request by World Bank-Pakistan, the senior most officer of Pakistan Meteorological Department in BS-20, Dr. Muhammad Hanif, Chief Meteorologist is designated as Project Director of the project "Pakistan Hydromet and Climate Services Project (PHCSP)" as an interim arrangement with immediate effect and till the appointment of regular incumbent.

The Project Director shall attend all meetings at relevant forums and submit report on progress of the project to Aviation Division regularly.

SEHRISH MAZARI,  
Section Officer.

Islamabad, the 2nd December, 2020

**No. F.11-10/2017-Admin.**—Subsequent to the promotion, *vide* Establishment Division's Notification No.4/8/2020-E-VII dated 20th November, 2020 read with Establishment Division's notification of even number dated 23rd November, 2020, Mr. Muhsin Ali has relinquished the

charge of the post of Section Officer (BS-17), and has assumed the charge of the post of Section Officer (BS-18), on Acting Charge basis, in Aviation Division, Cabinet Secretariat, on 23rd November, 2020.

**No. F.1-11/2020-Admin.**—Mr. Muhammad Arslan Khan, Section Officer (AT-II) has been granted Additional Charge of the post of Section Officer (AT-III) for a period of three (03) months with effect from 9th November, 2020 or till the posting of a regular Section Officer whichever is earlier.

This issues with the approval of Secretary Aviation Division.

MUHAMMAD NAMAAN MUSTAFA,  
Section Officer (Admin).

(Establishment Division)

Islamabad, the 20th November, 2020

**No. PF(597)/E-5(PAS).**—Mr. Omer Rasul, a BS-22 Officer of Pakistan Administrative Service, presently posted as OSD, Establishment Division, is granted leave on full pay (ex-Pakistan) for a period of two months, with effect from date of availing, subject to title.

Government of Pakistan has no objection on his proceeding abroad subject to the condition that there will be no foreign exchange liability on the part of Government of Pakistan during his travel and stay abroad.

**No. PF(469)/E-5(PAS).**—Sardar Ahmad Nawaz Sukhera, a BS-22 Officer of Pakistan Administrative Service, presently posted as Secretary, Cabinet Division, is granted five days casual leave with effect from 23rd November, 2020 to 27th November, 2020, with permission to leave the station on Friday, the 20th November, 2020 after hours.

2. Syed Asif Hyder Shah, a BS-22 Officer of Pakistan Administrative Service, presently posted as Special Secretary, Cabinet Division, is assigned look after charge of the post of Secretary, Cabinet Division, day to day business, in addition to his own duties, during the leave period of Sardar Ahmad Nawaz Sukhera (PAS/BS-22) *i.e.* from 23rd November, 2020 to 27th November, 2020.

**No. F.8/2/2020-E-VII.**—Ms. Noor-ul-Ain Aftab (OMG/BS-17) presently posted as Section Officer, Finance Division, is appointed to BS-18, on Acting Charge basis, in that group, with immediate effect.

On appointment, Ms. Noor-ul-Ain Aftab, is transferred and posted as Section Officer (BS-18/ Acting Charge), Planning, Development and Special Initiatives Division, with immediate effect and until further orders.

**No. F.8/2/2020-E-VII.**—Mr. Basit Ehsan (OMG/ BS-17) presently posted as Section Officer, Overseas Pakistanis and Human Resource Development Division, is appointed to BS-18, on Acting Charge basis, in that group, with immediate effect.

On appointment, Mr. Basit Ehsan, is transferred and posted as Section Officer (BS-18/Acting Charge), Finance Division (Military), with immediate effect and until further orders.

**No. F.8/2/2020-E-VII.**—Ms. Fozia Hussain (OMG/BS-17) presently posted as Section Officer, Commerce Division, is appointed to BS-18, on Acting Charge basis, in that group, with immediate effect.

On appointment, Ms. Fozia Hussain, is transferred and posted as Section Officer (BS-18/Acting Charge), Finance Division, with immediate effect and until further orders.

**No. F.8/2/2020-E-VII.**—Ms. Mahwish Riaz (OMG/BS-17) presently posted as Section Officer, Interior Division, is appointed to BS-18, on Acting Charge basis, in that group, with immediate effect.

On appointment, Ms. Mahwish Riaz, is transferred and posted as Section Officer (BS-18/Acting Charge), Finance Division with immediate effect and until further orders.

**No. F.8/2/2020-E-VII.**—Ms. Abeera Dilawar (OMG/BS-17) presently posted as Section Officer, Economic Affairs Division, is appointed to BS-18, on Acting Charge basis, in that group, with immediate effect.

On appointment, Ms. Abeera Dilawar, is transferred and posted as Section Officer (BS-18/Acting Charge), Commerce Division, with immediate effect and until further orders.

**No. F.8/2/2020-E-VII.**—Mr. Muhsin Ali (OMG/BS-17) presently posted as Section Officer, Aviation Division, is appointed to BS-18, on Acting Charge basis, in that group, with immediate effect.

On appointment, Mr. Muhsin Ali, is transferred and posted as Section Officer (BS-18/Acting Charge), Economic Affairs Division, with immediate effect and until further orders.

**No. F.8/2/2020-E-VII.**—Ms. Ayesha Javed (OMG/BS-17) presently posted as Section Officer, Planning, Development and Special Initiatives Division, is appointed to BS-18, on Acting Charge basis, in that group, with immediate effect.

On appointment, Ms. Ayesha Javed, is transferred and posted as Section Officer (BS-18/Acting Charge), Finance Division, with immediate effect and until further orders.

**No. F.8/2/2020-E-VII.**—Mr. Shahzad Khan (OMG/BS-17) presently posted as Section Officer, Finance Division, is appointed to BS-18, on Acting Charge basis, in that group, with immediate effect.

On appointment, Mr. Shahzad Khan, is transferred and posted as Section Officer (BS-18/Acting Charge), Interior Division, with immediate effect and until further orders.

**No. F.8/2/2020-E-VII.**—Mr. Junaid Alam (OMG/BS-17) presently posted as Section Officer, Commerce Division, is appointed to BS-18, on Acting Charge basis, in that group, with immediate effect.

On appointment, Mr. Junaid Alam, shall remain posted as Section Officer (BS-18/Acting Charge), Commerce Division, with immediate effect and until further orders.

**No. F.8/2/2020-E-VII.**—Mr. Umer Saeed Khan (OMG/BS-17) presently posted as Section Officer, Petroleum Division, is appointed to BS-18, on Acting Charge basis, in that group, with immediate effect.

On appointment, Mr. Umer Saeed Khan, shall remain posted as Section Officer (BS-18/Acting Charge), Petroleum Division, with immediate effect and until further orders.

**No. F.8/2/2020-E-VII.**—Ms. Saima Saleh (OMG/BS-17) presently posted as Section Officer, Parliamentary Affairs Division, is appointed to BS-18, on Acting Charge basis, in that group, with immediate effect.

On appointment, Ms. Saima Saleh, shall remain posted as Section Officer (BS-18/Acting Charge), Parliamentary Affairs Division, with immediate effect and until further orders.

**No. F.8/2/2020-E-VII.**—Ms. Aqsa Jamal (OMG/BS-17) presently posted as Section Officer, Parliamentary Affairs Division, is appointed to BS-18, on Acting Charge basis, in that group, with immediate effect.

On appointment, Ms. Aqsa Jamal, shall remain posted as Section Officer (BS-18/Acting Charge), Parliamentary Affairs Division, with immediate effect and until further orders.

**No. F.8/2/2020-E-VII.**—Mr. Muhammad Omer Farooq Mahar (OMG/BS-17) presently posted as Section Officer, Petroleum Division, is appointed to BS-18, on Acting Charge basis, in that group, with immediate effect.

On appointment, Mr. Muhammad Omer Farooq Mahar, shall remain posted as Section Officer (BS-18/Acting Charge), Petroleum Division, with immediate effect and until further orders.

**No. F.8/2/2020-E-VII.**—Ms. Sehrish Khan (OMG/BS-17) presently posted as Section Officer, OSD Establishment Division, is appointed to BS-18, on Acting Charge basis, in that group, with immediate effect.

On appointment, Ms. Sehrish Khan, is transferred and posted as Section Officer (BS-18/Acting Charge), Establishment Division, with immediate effect and until further orders.

**No. F.8/2/2020-E-VII.**—Ms. Sonia Nawaz (OMG/BS-18-Acting Charge) presently posted as Section Officer, Economic Affairs Division, is promoted to BS-18, on regular basis, in that group, with immediate effect.

On promoted, Ms. Sonia Nawaz, shall remain posted as Section Officer (BS-18), Economic Affairs Division, with immediate effect and until further orders.

**No. F.8/2/2020-E-VII.**—Mr. Zuhaib Hassan Shaikh (OMG/BS-18-Acting Charge) presently posted as Section Officer, National Health Services, Regulation and Coordination Division, is promoted to BS-18, on regular basis, in that group, with immediate effect.

On promotion, Mr. Zuhaib Hassan Shaikh, shall remain posted as Section Officer (BS-18), National Health Services, Regulation and Coordination Division, with immediate effect and until further orders.

**No. F.8/2/2020-E-VII.**—Ms. Sobia Batool (OMG/BS-18/Acting Charge) presently posted as Section Officer, Finance Division, is promoted to BS-18, on regular basis, in that group, with immediate effect.

On promotion, Ms. Sobia Batool, is transferred and posted as Section Officer (BS-18), Economic Affairs Division, with immediate effect and until further orders.

**No. F.8/2/2020-E-VII.**—Ms. Shahbano (OMG/BS-18/Acting Charge) presently posted as Section Officer, Establishment Division, is promoted to BS-18, on regular basis, in that group, with immediate effect.

On promotion, Ms. Shahbano, shall remain posted as Section Officer (BS-18), Establishment Division, with immediate effect and until further orders.

**No. F.8/2/2020-E-VII.**—Mr. Ahmed Noor (OMG/BS-18-Acting Charge) presently posted as Section Officer, Economic Affairs Division, is promoted to BS-18, on regular basis, in that group, with immediate effect.

On promotion, Mr. Ahmed Noor, shall remain posted as Section Officer (BS-18), Economic Affairs Division, with immediate effect and until further orders.

**No. F.8/2/2020-E-VII.**—Mr. Ali Raza (OMG/BS-18-Acting Charge) presently posted as Section Officer, National Health Services, Regulation and Coordination Division, is promoted to BS-18, on regular basis, in that group, with immediate effect.

On promotion, Mr. Ali Raza, shall remain posted as Section Officer (BS-18), National Health Services, Regulation and Coordination Division, with immediate effect and until further orders.

**No. F.8/2/2020-E-VII.**—Mr. Shoaib ur Rehman (OMG/BS-18-Acting Charge) presently posted as Section Officer, Parliamentary Affairs Division, is promoted to BS-18, on regular basis, in that group, with immediate effect.

On promotion, Mr. Shoaib ur Rehman, shall remain posted as Section Officer (BS-18), Parliamentary Affairs Division, with immediate effect and until further orders.

**No. F.8/2/2020-E-VII.**—Ms. Madeeha Khattak (OMG/BS-18-Acting Charge) presently posted as Section Officer, Revenue Division, is promoted to BS-18, on regular basis, in that group, with immediate effect.

On promotion, Ms. Madeeha Khattak, shall remain posted as Section Officer (BS-18), Revenue Division, with immediate effect and until further orders.

**No. F.8/2/2020-E-VII.**—Mr. Rustam Khan (OMG/BS-18-Acting Charge) presently posted as Section Officer, Revenue Division, is promoted to BS-18, on regular basis, in that group, with immediate effect.

On promotion, Mr. Rustam Khan, shall remain posted as Section Officer (BS-18), Revenue Division, with immediate effect and until further orders.

**No. F.8/2/2020-E-VII.**—Ms. Palwasha Muzaffar (OMG/BS-18-Acting Charge) presently posted as Section Officer, Information, Technology and Telecommunication Division, is promoted to BS-18, on regular basis, in that group, with immediate effect.

On promotion, Ms. Palwasha Muzaffar, shall remain posted as Section Officer (BS-18), Information, Technology and Telecommunication Division, with immediate effect and until further orders.

**No. F.8/2/2020-E-VII.**—Ms. Rida Noor (OMG/BS-18-Acting Charge) presently posted as Section Officer, Finance Division, is promoted to BS-18, on regular basis, in that group, with immediate effect.

On promotion, Ms. Rida Noor, shall remain posted as Section Officer (BS-18), Finance Division, with immediate effect and until further orders.

**No. F.8/2/2020-E-VII.**—Ms. Alia Zaidi (OMG/BS-18-Acting Charge) presently posted as Section Officer, Finance Division (Military), is promoted to BS-18, on regular basis, in that group, with immediate effect.

On promotion, Ms. Alia Zaidi, shall remain posted as Section Officer (BS-18), Finance Division (Military), with immediate effect and until further orders.

**No. F.8/2/2020-E-VII.**—Ms. Sarah Ahmed (OMG/BS-18-Acting Charge) presently posted as Section Officer, Finance Division (Military), is promoted to BS-18, on regular basis, in that group, with immediate effect.

On promotion, Ms. Sarah Ahmed, shall remain posted as Section Officer (BS-18), Finance Division (Military), with immediate effect and until further orders.

**No. F.8/2/2020-E-VII.**—Ms. Muneeza Hamid (OMG/BS-18-Acting Charge) presently posted as Section Officer, Finance Division, is promoted to BS-18, on regular basis, in that group, with immediate effect.

On promotion, Ms. Muneeza Hamid, shall remain posted as Section Officer (BS-18), Finance Division, with immediate effect and until further orders.

**No. F.8/2/2020-E-VII.**—Mr. Fahad Mahmud Mirza (OMG/BS-18-Acting Charge) presently posted as Section Officer, Economic Affairs Division, is promoted to BS-18, on regular basis, in that group, with immediate effect.

On promotion, Mr. Fahad Mahmud Mirza, shall remain posted as Section Officer (BS-18), Economic Affairs Division, with immediate effect and until further orders.

**No. F.8/2/2020-E-VII.**—Ms. Anam Jamal (OMG/BS-18-Acting Charge) presently posted as Section Officer, Interior Division, is promoted to BS-18, on regular basis, in that group, with immediate effect.

On promotion, Ms. Anam Jamal, shall remain posted as Section Officer (BS-18), Interior Division, with immediate effect and until further orders.

**No. F.8/2/2020-E-VII.**—Ms. Naila Kalsoom Saddiqi (OMG/BS-18-Acting Charge) presently posted as Section Officer, Finance Division (Military), is promoted to BS-18, on regular basis, in that group, with immediate effect.

On promotion, of Ms. Naila Kalsoom Saddiqi, shall remain posted as Section Officer (BS-18), Finance Division (Military), with immediate effect and until further orders.

**No. F.8/2/2020-E-VII.**—Mr. Muhammad Asghar (OMG/BS-18-Acting Charge) presently posted as Section Officer, Housing and Works Division, is promoted to BS-18, on regular basis, in that group, with immediate effect.

On promotion, Mr. Muhammad Asghar, shall remain posted as Section Officer (BS-18), Housing and Works Division, with immediate effect and until further orders.

**No. F.8/2/2020-E-VII.**—Mr. Azizullah Khan (OMG/BS-18-Acting Charge) presently posted as Section Officer, Religious Affairs and Interfaith Harmony Division, is promoted to BS-18, on regular basis, in that group, with immediate effect.

On promotion, Mr. Azizullah Khan, shall remain posted as Section Officer (BS-18), Religious Affairs and Interfaith Harmony Division, with immediate effect and until further orders.

**No. F.8/2/2020-E-VII.**—Syed Zawad Haider (OMG/BS-18-Acting Charge) presently posted as Section Officer, Economic Affairs Division, is promoted to BS-18, on regular basis, in that group, with immediate effect.

On promotion, Syed Zawad Haider, is transferred and posted as Section Officer (BS-18), Cabinet Division, with immediate effect and until further orders.

**No. F.8/2/2020-E-VII.**—Ms. Fazelat Naeem (OMG/BS-18-Acting Charge) presently posted as Section Officer, Cabinet Division, is promoted to BS-18, on regular basis, in that group, with immediate effect.

On promotion, Ms. Fazelat Naeem, shall remain posted as Section Officer (BS-18), Cabinet Division, with immediate effect and until further orders.

**No. F.8/2/2020-E-VII.**—Ms. Anam Nasir (OMG/BS-18/Acting Charge) presently posted as Section Officer, Finance Division, is promoted to BS-18, on regular basis, in that group, with immediate effect.

On promotion, Ms. Anam Nasir, shall remain posted as Section Officer (BS-18), Finance Division upto 31st December, 2020, thereafter, she shall join Commerce Division in compliance of this Division's Notification No.8/3/2019-E-VII dated 2nd January, 2020.

**No. F.8/2/2020-E-VII.**—Mr. Zain Aziz (OMG/BS-18/Acting Charge) presently posted as Section Officer, Establishment Division, is promoted to BS-18, on regular basis, in that group, with immediate effect.

On promotion, Mr. Zain Aziz, shall remain posted as Section Officer (BS-18), Establishment Division, with immediate effect and until further orders.

**No. F.8/2/2020-E-VII.**—Ms. Attia Sultana (OMG/BS-18-Acting Charge) presently posted as Section Officer, Establishment Division, is promoted to BS-18, on regular basis, in that group, with immediate effect.

On promotion, Ms. Attia Sultana, shall remain posted as Section Officer (BS-18), Establishment Division, with immediate effect and until further orders.

**No. F.8/2/2020-E-VII.**—Ms. Wasiqa Waheed (OMG/BS-18-Acting Charge) presently posted as Section Officer, Establishment Division, is promoted to BS-18, on regular basis, in that group, with immediate effect.

On promotion, Ms. Wasiqa Waheed, shall remain posted as Section Officer (BS-18), Establishment Division, with immediate effect and until further orders.

**No. F.1/5/2020/E-5(PAS).**—Ms. Qurat-ul-Ain Malik, a BS-18 (Acting) officer of Pakistan Administrative Service, presently at the disposal of National School of Public Policy, is promoted to BS-18, on regular basis, in that service, with immediate effect.

On promotion, the services of Ms. Qurat-ul-Ain Malik, will remain at the disposal of National School of Public Policy, until further orders.

**No. F.1/5/2020/E-5(PAS).**—Mr. Waqar Ali Khan, a BS-17 Officer of Pakistan Administrative Service, presently posted under Government of the Punjab, is promoted to BS-18, on regular basis, in that service, with immediate effect.

On promotion, the services of Mr. Waqar Ali Khan will remain at the disposal of Government of the Punjab, until further orders.

**No. F.1/5/2020/E-5(PAS).**—Ms. Nur-ul-Ain Qureshi, a BS-17 Officer of Pakistan Administrative Service, presently posted under Government of the Punjab, is promoted to BS-18, on regular basis, in that service, with immediate effect.

On promotion, the services of Ms. Nur-ul-Ain Qureshi will remain at the disposal of Government of the Punjab, until further orders.

**No. F.1/5/2020-E-5(PAS).**—Mr. Sheryar Arif Khan, a BS-17 Officer of Pakistan Administrative Service, presently posted under Government of the Punjab, is promoted to BS-18, on regular basis, in that service, with immediate effect.

On promotion, Mr. Sheryar Arif Khan is transferred and his services are placed at the disposal of Government of Khyber Pukhtunkhawa, with immediate effect and until further orders.

**No. F.1/5/2020/E-5(PAS).**—Mr. Shakeel Ahmed, a BS-17 Officer of Pakistan Administrative Service, presently posted under Government of Sindh, is promoted to BS-18, on regular basis, in that service, with immediate effect.

On promotion, Mr. Shakeel Ahmed is transferred and his services are placed at the disposal of Government of Khyber Pukhtunkhawa, with immediate effect and until further orders.

**No. F.1/5/2020/E-5(PAS).**—Ms. Javeria Maqbool, a BS-17 Officer of Pakistan Administrative Service, presently posted under Government of the Punjab, is promoted to BS-18, on regular basis, in that service, with immediate effect.

On promotion, the services of Ms. Javeria Maqbool will remain at the disposal of Government of the Punjab, until further orders.

**No. F.1/5/2020/E-5(PAS).**—Hafiz Karim Dad, a BS-17 Officer of Pakistan Administrative Service, presently posted under Government of Gilgit-Baltistan, is promoted to BS-18, on regular basis, in that service, with immediate effect.

On promotion, Hafiz Karim Dad is transferred and his services are placed at the disposal of Government of the Punjab, with immediate effect and until further orders.

**No. F.1/5/2020/E-5(PAS).**—Ms. Jannat Hussain Nekokara, a BS-17 Officer of Pakistan Administrative Service, presently posted under Government of the Punjab, is promoted to BS-18, on regular basis, in that service, with immediate effect.

On promotion, the services of Ms. Jannat Hussain Nekokara will remain at the disposal of Government of the Punjab, until further orders.

**No. F.1/5/2020/E-5(PAS).**—Ms. Tabinda Tariq, a BS-17 Officer of Pakistan Administrative Service, presently posted under Government of Khyber Pukhtunkhawa, is promoted to BS-18, on regular basis, in that service, with immediate effect.

On promotion, the services of Ms. Tabinda Tariq will remain at the disposal of Government of Khyber Pukhtunkhawa, until further orders.

**No. F.1/5/2020/E-5(PAS).**—Mr. Muhammad Anas Iqbal, a BS-17 Officer of Pakistan Administrative Service, presently posted under Government of Gilgit-Baltistan, is promoted to BS-18, on regular basis, in that service, with immediate effect.

On promotion, Mr. Muhammad Anas Iqbal is transferred and his services are placed at the disposal of Government of the Punjab, with immediate effect and until further orders.

**No. F.1/5/2020/E-5(PAS).**—Ms. Sarah Rehman, a BS-17 Officer of Pakistan Administrative Service, presently posted under Government of Khyber Pukhtunkhawa, is promoted to BS-18, on regular basis, in that service, with immediate effect.

On promotion, the services of Ms. Sarah Rehman will remain at the disposal of Government of Khyber Pukhtunkhawa, until further orders.

**No. F.1/5/2020/E-5(PAS).**—Syed Aadil Iftikhar, a BS-17 Officer of Pakistan Administrative Service, presently posted under Government of Khyber Pukhtunkhawa, is promoted to BS-18, on regular basis, in that service, with immediate effect.

On promotion, Syed Aadil Iftikhar is transferred and his services are placed at the disposal of Government of the Punjab, with immediate effect and until further orders.

**No. F.1/5/2020/E-5(PAS).**—Mr. Asadullah, a BS-17 Officer of Pakistan Administrative Service, presently at the disposal of Islamabad Capital Territory, under Interior Division, is promoted to BS-18, on regular basis, in that service, with immediate effect.

On promotion, Mr. Asadullah is transferred and his services are placed at the disposal of Government of the Punjab, with immediate effect and until further orders.

**No. F.1/5/2020/E-5(PAS).**—Mr. Muhammad Mohsin Salahuddin, a BS-17 Officer of Pakistan Administrative Service, presently posted under Government of Khyber Pukhtunkhawa, is promoted to BS-18, on regular basis, in that service, with immediate effect.

On promotion, Mr. Muhammad Mohsin Salahuddin is transferred and his services are placed at the disposal of Government of the Punjab, with immediate effect and until further orders.

**No. F.1/5/2020/E-5(PAS).**—Mr. Bilal Hassan, a BS-17 Officer of Pakistan Administrative Service, presently posted under Government of Gilgit-Baltistan, is promoted to BS-18, on regular basis, in that service, with immediate effect.

On promotion, Mr. Bilal Hassan is transferred and his services are placed at the disposal of Government of the Punjab, with immediate effect and until further orders.

**No. F.1/5/2020/E-5(PAS).**—Mr. Muhammad Abdullah Mahmood, a BS-17 Officer of Pakistan Administrative Service, presently at the disposal of Islamabad Capital Territory, under Interior Division, is promoted to BS-18, on regular basis, in that service, with immediate effect.

On promotion, Mr. Muhammad Abdullah Mahmood is transferred and his services are placed at the disposal of Government of the Punjab, with immediate effect and until further orders.

**No. F.1/5/2020/E-5(PAS).**—Mr. Muhammad Shayan Ali Jawa, a BS-17 Officer of Pakistan Administrative Service, presently posted under Government of Khyber Pukhtunkhawa, is promoted to BS-18, on regular basis, in that service, with immediate effect.

On promotion, Mr. Muhammad Shayan Ali Jawa is transferred and his services are placed at the disposal of Government of the Punjab, with immediate effect and until further orders.

**No. F.1/5/2020/E-5(PAS).**—Mrs. Tillat Fahad, a BS-17 Officer of Pakistan Administrative Service, presently posted under Government of Khyber Pukhtunkhawa, is promoted to BS-18, on regular basis, in that service, with immediate effect.

On promotion, the services of Mrs. Tillat Fahad will remain at the disposal of Government of Khyber Pukhtunkhawa, until further orders.

**No. F.1/5/2020/E-5(PAS).**—Mr. Muhammad Sohaib Butt, a BS-17 Officer of Pakistan Administrative Service, presently posted under Government of Khyber Pukhtunkhawa, is promoted to BS-18, on regular basis, in that service, with immediate effect.

On promotion, Mr. Muhammad Sohaib Butt is transferred and his services are placed at the disposal of Government of the Punjab, with immediate effect and until further orders.

**No. F.1/5/2020/E-5(PAS).**—Mr. Muhammad Nabeel Riaz, a BS-17 Officer of Pakistan Administrative Service, presently posted under Government of Sindh, is promoted to BS-18, on regular basis, in that service, with immediate effect.

On promotion, Mr. Muhammad Nabeel Riaz is transferred and his services are placed at the disposal of Government of the Punjab, with immediate effect and until further orders.

**No. F.8/2/2020/E-VII.**—Ms. Shahida (OMG/BS-17) presently awaiting posting in Establishment Division, is promoted to BS-18, on regular basis, in that group, with immediate effect.

On promotion, Ms. Shahida, is transferred and posted as Section Officer (BS-18), Aviation Division, with immediate effect and until further orders.

**No. F.8/2/2020/E-VII.**—Mr. Ubaid Ullah (OMG/BS-17) presently posted as Section Officer, Finance Division (Military), is promoted to BS-18, on regular basis, in that group, with immediate effect.

On promotion, Mr. Ubaid Ullah, is transferred and posted as Section Officer (BS-18), States & Frontier Regions Division, with immediate effect and until further orders.

**No. F.1/5/2020/E-5(PAS).**—Mr. Gohar Zaman Wazir, a BS-17 Officer of Pakistan Administrative Service, presently at the disposal of Islamabad Capital Territory, under Interior Division, is promoted to BS-18, on regular basis, in that service, with immediate effect.

On promotion, Mr. Gohar Zaman Wazir is transferred and his services are placed at the disposal of Government of Khyber Pukhtunkhawa, with immediate effect and until further orders.

**No. F.1/5/2020/E-5(PAS).**—Mr. Zahid Khan, a BS-17 Officer of Pakistan Administrative Service, presently posted under Government of the Punjab, is promoted to BS-18, on regular basis, in that service, with immediate effect.

On promotion, Mr. Zahid Khan is transferred and his services are placed at the disposal of Government of Balochistan, with immediate effect and until further orders.

**No. F.1/5/2020/E-5(PAS).**—Mr. Tabraiz Sadique Mari, a BS-17 Officer of Pakistan Administrative Service, presently posted under Government of the Punjab, is promoted to BS-18, on regular basis, in that service, with immediate effect.

On promotion, Mr. Tabraiz Sadique Mari is transferred and his services are placed at the disposal of Government of Sindh, with immediate effect and until further orders.

**No. F.1/5/2020/E-5(PAS).**—Ms. Gul Bano, a BS-17 Officer of Pakistan Administrative Service, presently posted under Government of Khyber Pukhtunkhawa, is promoted to BS-18, on regular basis, in that service, with immediate effect.

On promotion, the services of Ms. Gul Bano will remain at the disposal of Government of Khyber Pukhtunkhawa, until further orders.

**No. F.1/5/2020/E-5(PAS).**—Ms. Sonia, a BS-17 Officer of Pakistan Administrative Service, presently posted under Government of the Punjab, is promoted to BS-18, on regular basis, in that service, with immediate effect.

On promotion, Ms. Sonia is transferred and her services are placed at the disposal of Government of Sindh, with immediate effect and until further orders.

**No. F.1/5/2020/E-5(PAS).**—Mr. Omer Iftikhar Sherazi, a BS-17 Officer of Pakistan Administrative Service, presently posted under Government of the Punjab, is promoted to BS-18, on regular basis, in that service, with immediate effect.

On promotion, the services of Mr. Omer Iftikhar Sherazi will remain at the disposal of Government of the Punjab, until further orders.

**No. F.1/5/2020/E-5(PAS).**—Ms. Marzia Saleem, a BS-17 Officer of Pakistan Administrative Service, presently posted under Government of the Punjab, is promoted to BS-18, on regular basis, in that service, with immediate effect.

On promotion, the services of Ms. Marzia Saleem will remain at the disposal of Government of the Punjab, until further orders.

**No. F.1/5/2020/E-5(PAS).**—Capt. (Retd.) Sanaullah Khan, a BS-17 Officer of Pakistan Administrative Service, presently posted under Government of Gilgit-Baltistan, is promoted to BS-18, on regular basis, in that service, with immediate effect.

On promotion, Capt. (Retd.) Sanaullah Khan is transferred and his services are placed at the disposal of Government of Khyber Pukhtunkhawa, with immediate effect and until further orders.

**No. F.1/5/2020/E-5(PAS).**—Capt. (Retd.) Qasim Ijaz, a BS-17 Officer of Pakistan Administrative Service, presently posted under Government of Gilgit-Baltistan, is promoted to BS-18, on regular basis, in that service, with immediate effect.

On promotion, Capt. (Retd.) Qasim Ijaz is transferred and his services are placed at the disposal of Government of the Punjab, with immediate effect and until further orders.

**No. F.1/5/2020/E-5(PAS).**—Capt. (Retd.) Muhammad Shahrukh Cheema, a BS-17 Officer of Pakistan Administrative Service, presently posted under Government of Gilgit-Baltistan, is promoted to BS-18, on regular basis, in that service, with immediate effect.



On promotion, Capt. (Retd.) Muhammad Shahrukh Cheema is transferred and his services are placed at the disposal of Government of the Punjab, with immediate effect and until further orders.

**No. F.8/2/2020-E-VII.**—Mr. Abdul Rahim Khan (OMG/BS-17) presently posted as Section Officer, Interior Division, is promoted to BS-18, on regular basis, in that group, with immediate effect.

On promotion, Mr. Abdul Rahim Khan, shall remain posted as Section Officer (BS-18), Interior Division, with immediate effect and until further orders.

**No. F.8/2/2020-E-VII.**—Mr. Aakif Iqbal (OMG/BS-17) presently posted as Section Officer, Finance Division (Military), is promoted to BS-18, on regular basis, in that group, with immediate effect.

On promotion, Mr. Aakif Iqbal, is transferred and posted as Section Officer (BS-18), Overseas Pakistanis and Human Resource Development Division, with immediate effect and until further orders.

**No. F.1/5/2020/E-5(PAS).**—Mr. Muhammad Danish, a BS-17 Officer of Pakistan Administrative Service, presently at the disposal of Islamabad Capital Territory, under Interior Division, is promoted to BS-18, on regular basis, in that service, with immediate effect.

On promotion, Mr. Muhammad Danish is transferred and his services are placed at the disposal of Government of Sindh, with immediate effect and until further orders.

**No. F.1/5/2020/E-5(PAS).**—Ms. Sajida Ayaz Kazi, a BS-17 Officer of Pakistan Administrative Service, presently posted under Government of Sindh, is promoted to BS-18, on regular basis, in that service, with immediate effect.

On promotion, the services of Ms. Sajida Ayaz Kazi will remain at the disposal of Government of Sindh, until further orders.

**No. F.8/2/2020/E-VII.**—Ms. Beenish Noor (OMG/BS-17) presently posted as Section Officer, National Health Services, Regulation and Coordination Division, is promoted to BS-18, on regular basis, in that group, with immediate effect.

On promotion, Ms. Beenish Noor, shall remain posted as Section Officer (BS-18), National Health Services, Regulation and Coordination Division, with immediate effect and until further orders.

**No. F.8/2/2020/E-VII.**—Ms. Nayyab Imran (OMG/BS-17) presently posted as Section Officer, Establishment Division, is promoted to BS-18, on regular basis, in that group, with immediate effect.

On promotion, Ms. Nayyab Imran, shall remain posted as Section Officer (BS-18), Establishment Division, with immediate effect and until further orders.

**No. F.8/2/2020-E-VII.**—Mr. Sami-ul-Haq (OMG/BS-17) presently posted as Section Officer, Establishment Division, is promoted to BS-18, on regular basis, in that group, with immediate effect.

On promotion, Mr. Sami-ul-Haq, shall remain posted as Section Officer (BS-18), Establishment Division, with immediate effect and until further orders.

**No. F.8/2/2020-E-VII.**—Ms. Maryam Malik (OMG/BS-17) presently posted as Section Officer, Establishment Division, is promoted to BS-18, on regular basis, in that group, with immediate effect.

On promotion, Ms. Maryam Malik, shall remain posted as Section Officer (BS-18), Establishment Division, with immediate effect and until further orders.

SHAMS-UD-DIN,  
Section Officer.

Islamabad, the 20th November, 2020

**No. 1/53/2016-E-4.**—Rana Akbar Hayat, a BS-20 Officer of ICT Administration under Ministry of Interior, presently posted as Joint Secretary, Prime Minister's Office, Islamabad is transferred and his services are placed at the disposal of Government of the Punjab, on deputation basis, on standard terms and conditions, with immediate effect and until further orders.

**No. 1/317/2020-E-4.**—Syed Umar Ali Shah Banoori, a BS-19 Officer of Pakistan Audit and Accounts Service, presently posted as Director (IP&V), CGA Office, Islamabad is transferred and his services are placed at the disposal of Ministry of Communications for further posting as Director (Audit and Accounts/ BS-19), National Highway Authority (NHA), on deputation basis, for a period of three years, on standard terms and conditions, with immediate effect and until further orders.

FALAK SHER,  
Section Officer.

---

MINISTRY OF COMMERCE

Islamabad, the 1st December, 2020

**No. 7(28)/2017-Admn-I/MoC.**—Consequent upon his request and with approval of the competent authority, Mr. Fawad Hassan, BS-18 Officer of Commerce &

Trade Group, presently posted as Deputy Director, Ministry of Commerce, Islamabad, has been granted nineteen (19) days leave on full pay, with effect from 16th November, 2020 to 4th December, 2020.

MUHAMMAD IMTIAZ,  
Deputy Director (MoC).

Islamabad, the 2nd December, 2020

**No. 4(29)/86-Admn-III/CTG.**—Mr. Anis Alam, BS-18 Officer of Commerce & Trade Group, worked as Deputy Director, Trade Development Authority of Pakistan (TDAP) Karachi, is granted leave Encashment *i.e.* 365 days in lieu of one year LPR with effect from 20th May, 2019 to 19th May, 2020.

The officer has already been retired from Government service on attaining the age of superannuation on 19th May, 2020.

This issues with the approval of Secretary, Commerce.

SABIHA PARVEEN,  
Deputy Director (CTG).

Islamabad, the 2nd December, 2020

**No. 1(5)/2016-AOs.**—In pursuance of Establishment Division's Notification No.1/210/2020-E-4, dated 26th November, 2020, the services of Mr. Jamil Ahmed (BS-19/IRS) is placed at the disposal of Trade Development Authority of Pakistan (TDAP), Karachi, for further posting as Director (BS-19), on deputation basis for a period of three (03) years, on standard terms and conditions and until further orders, with effect from the date of joining of the officer in TDAP.

SIDRA MUNAF,  
Deputy Director (AOs).

DEPARTMENT OF THE AUDITOR GENERAL  
OF PAKISTAN

Islamabad, the 6th November, 2020

**No. 968-CA-III/2-3/20.**—The transfers/ postings of following officers of office of the Auditor General of Pakistan, with immediate effect and until further orders:-

| Sr. No. | Name of Officers (M/s)                  | From   | To  | Look-after Charge  |
|---------|---|--|---|--|
| i.      | Mr. Abdul Latif Soomro<br>(BS-20/PA&AS) | Chief Finance & Accounts<br>Officer, Kashmir Affairs and<br>GB Division, Islamabad | Awaiting posting at<br>Karachi  | —  |
| ii.     | Ms. Rukhsana Rafique<br>(BS-19/PA&AS)   | Director General Audit,<br>District Govt. Punjab (N),<br>Lahore (OPS)              | Chief Finance &<br>Accounts Officer,<br>Kashmir Affairs and<br>GB Division Islamabad<br>(OPS) | Assigned look-after charge<br>of the post of Chief Finance<br>& Accounts Officer (CF&AO),<br>Railway Division, Islamabad<br>(OPS). |

**No. 970-Dir(A)/2-3/2019.**—Mr. Waseem Arshad, a BS-19 officer of Pakistan Audit and Accounts Service, presently posted as Director Audit, Federal Government, Islamabad is transferred and posted as Chief Finance & Accounts Officer, Communication Division, Islamabad (OPS) with immediate effect and until further orders.

The officer is also assigned look-after charge of the post of Chief Finance and Accounts Officer, Science & Technology Division, Islamabad (OPS), with immediate effect and until further orders.

Islamabad, the 10th November, 2020

**No. 55-PAAS-I/80-2007 (718).**—The Auditor-General of Pakistan has been pleased to order that Mr. Naseem Akhtar Gaad, a BS-20/PA&AS, may be treated as Awaiting Posting at Headquarter, Karachi, for pay & allowances, during the intervening period from 15th July, 2020 to 8th October, 2020 *i.e.* the date of charge relinquishment of the post of Chief Finance & Accounts Officer, Law & Justice Division, Islamabad, and joining as Director Finance, Export Processing Zones Authority, Karachi with effect from 9th October, 2020.

**No. 973-CA-III/2-3/2020 (SR/182).**—Rana Muhammad Usman, a BS-19 officer of Pakistan Audit and Accounts Service (PA&AS) presently posted as Director Audit, Works (Provincial), Lahore is transferred and his services are placed at the disposal of Government of Punjab for further posting as Director (Admn & Finance/BS-19), Directorate of Anti-Corruption Establishment, Punjab, Lahore on deputation basis for a period of three (03) years on standard terms and conditions, with immediate effect and until further orders.

**No. 56-Dir(A)/CA-III/2-3/2020.**—The Auditor-General of Pakistan has been pleased to order posting/transfer of following officer of the Pakistan Audit & Accounts Service, in the public interest with immediate effect and until further orders:-

| S. No. | Name of Officer             | From   | To   | Remarks   |
|--------|-----------------------------|--|--|---|
| 1.     | Shams-ud-Din<br>BS-19/PA&AS | Deputy<br>FA/PR<br>Pakistan<br>Railways,<br>Lahore | Director<br>Audit Works<br>(Provincial),<br>Lahore | <i>vice</i> Rana<br>Muhammad<br>Usman Khan,<br>who has proceeded<br>on deputation as<br>Director (Admn &<br>Finance/B-19),<br>Directorate of<br>Anti-Corruption<br>Establishment,<br>Punjab Lahore. |

MUHAMMAD TAYYAB,  
Director (Admn).

Islamabad, the 10th November, 2020

**No. 2352-Dir(A)/11-390/Discip/2020.**—Disciplinary proceedings under the Government Servants (Efficiency & Discipline) Rules, 1973 were initiated against Raja Ghazanfar Javed, BS-18/PA&AS Officer *vide* Charge Sheet No. 2247-Dir(A)/11-390/Discip/2020, dated 30th June, 2020, Mr. Shafiq Ur Rehman, Director General Audit

(DAOs), Lahore was appointed as Inquiry Officer to conduct inquiry into the charges leveled against afore named PA&AS officer.

After considering the charges framed in the Charge Sheet *ibid*, accused officer's request, Inquiry Report and reply to the Charge Sheet, the Authorized Officer, with the approval of the Auditor General of Pakistan/Authority, has been pleased to close the instant disciplinary case initiated against him *vide ibid* Charge Sheet dated 30th June, 2020. The accused officer is, however, warned to be careful in future and with the advice that his official conduct would be watched.

AQEEL NAWAZ SIDDIQUI,  
Director (Legal).

Islamabad, the 5th November, 2020

**No. 267/PAAS-I/45-88(455).**—Consequent upon attaining the age of superannuation, Mr. Shahid Gul Qureshi, a BS-21 officer of Pakistan Audit & Accounts Service, presently posted as Member (Finance National Engineering & Science Commission (NESCOM), Islamabad shall stand retired from Government Service on 17th May, 2021 (his date of birth being 17th May, 1961).

**No. 265/PAAS-I/15-95 (548).**—Mr. Ghulam Rasool Shah, a BS-20 officer of Pakistan Audit & Accounts Service previously awaiting posting, has assumed charge of the post of Chief Finance & Accounts Officer, Information & Broadcasting Division, Islamabad on 2nd November, 2020 in pursuance of Auditor-General of Pakistan office Notification No. 951-CA-III/2-3/20 dated 16th October, 2020.

**No. 266/PAAS-I/14-94-II(543).**—Consequent upon attaining the age of superannuation, Mr. Mohsan Atta, a BS-20 officer of Pakistan Audit & Accounts Service, presently posted as Deputy Auditor General (A&C), in office of the Auditor General of Pakistan, Islamabad (OPS) shall stand retired from Government Service on 10th May, 2021 (his date of birth being 10th May, 1961).

**No. 263/PAAS-I/3-2009 (793).**—Mr. Zulfiqar Khan, a BS-19 officer of Pakistan Audit & Accounts Service has assumed charge of the post of Controller Military Accounts (ISOs), Rawalpindi on 26th October, 2020 in pursuance of Auditor-General of Pakistan office Notification No. 51-Dir (A)/2-4/20 dated 23rd October, 2020.

**No. 264/PAAS-I/3-2012 (797).**—Mr. Adnan Shoaib, a BS-19 officer of the Pakistan Audit & Accounts Service has relinquished charge of the post of Controller Military Accounts (ISOs), Rawalpindi on 26th October, 2020, and assumed charge of the post of Director (P for R Project), SSA Wing, in Office of the Auditor General of Pakistan, Islamabad on same date, in pursuance of Auditor-General of Pakistan Office Notification No. 51-Dir/(A)/2-4/20 dated 23rd October, 2020.

**No. 268/PAAS-I/10-2011 (833).**—Mr. Furqan Salabat, a BS-19 officer of the Pakistan Audit & Accounts Service has relinquished charge of the post of Director, Pakistan Audit & Accounts Academy, Lahore on 26th October, 2020, and assumed charge of the post of Director Audit, Postal & Telecommunication Service, Lahore on same date, in

pursuance of Auditor-General of Pakistan office Notification No. 51-Dir/(A)/2-4/20 dated 23rd October, 2019.

**No. 270/PAAS-I/02-2013 (850).**—Mr. Hayder Javed Khan Burki, a BS-19 officer of the Pakistan Audit & Accounts Service has relinquished the charge of the post of Director, in the office of the Director General Audit Postal & Telecommunication Services (P&TS), Lahore on 26th October, 2020 and joined in the office of the Auditor General of Pakistan (Camp Office), Lahore, on same date in pursuance of Auditor-General of Pakistan office Notification No. 51-Dir/(A)/2-4/20 dated 23rd October, 2020. Further more, the officer proceeded on 594 days leave on half pay (LHP) with effect from 27th October, 2020 *vide* this office letter No. 175/2-2013 (850) dated 22nd September, 2020.

Islamabad, the 6th November, 2020

**No. 597/PAAS-I/12-2014.**—In continuation of O/o. Auditor General of Pakistan, Islamabad's Notification No. 511/PAAS-I/12-2014 dated 2nd October, 2020 and further posting/transfer *vide* Notification No. 51-Dir(A)/2-4/20 dated 23rd October, 2020, Mr. Muhammad Ammar Ali Khan, a BS-18 officer of Pakistan Audit & Accounts Service, has assumed the charge of the post of Director, Pakistan Audit & Accounts Academy, Lahore (OPS), on 26th October, 2020.

The awaiting for posting period with effect from 30th September, 2020 to 25th October, 2020 may be treated as duty.

**No. 598/PAAS-II/2-1860/2020.**—Consequent upon antedated induction into PA&AS in BS-17 with effect from 25th October, 2018 (against 46th CTP) *vide* Office of the Auditor General of Pakistan Islamabad's Notification No. 28-Dir(A)-II/1-6/Induction/2017/Vol-I dated 9th September, 2020 and posting/transfer *vide* Notification No. 31-Dir(A)-II/1-6/Induction/2017/Vol-I dated 23rd September, 2020, Mirza Vaseem Baig, a BS-17 PA&AS Officer, has relinquished the charge of the post of the Audit Officer (BS-18) in the O/o the Director General Audit Works (Provincial), Lahore on 16th October, 2020 and assumed the charge of the post of Assistant Accountant General, in O/o. the Accountant General, Punjab, Lahore on the same date.

**No. 599/PAAS-II/2-1859/2020.**—Consequent upon antedated induction into PA&AS in BS-17 with effect from 25th October, 2018 (against 46th CTP) *vide* Office of the Auditor General of Pakistan Islamabad's Notification No. 28-Dir(A)-II/1-6/Induction/2017/Vol-I dated 9th September, 2020 and posting/transfer *vide* Notification No. 31-Dir(A)-II/1-6/Induction/2017/Vol-I dated 23rd September, 2020, Mr. Abdul Rahim, a BS-17 PA&AS Officer, has relinquished the charge of the post of the Audit Officer (BS-18) in the O/o the Director General Audit Social Safety Nets, Islamabad on 26th October, 2020 and assumed the charge of the post of Assistant Director, in the Directorate General, Federal Government, Islamabad on the same date.

**No. 600/PAAS-II/65-2017.**—Consequent upon transfer /posting *vide* O/o. the Auditor General of Pakistan, Islamabad's Notification No. 32-Dir(A)-II/induction/2017/Vol-I dated 16th October, 2020, Mr. Imran Abbas Lak, a BS-18 PA&AS Officer, has relinquished the charge as

Deputy Director, in Office of the Director General Audit, (Water Recourses), Lahore on 22nd October, 2020 and assumed the charge of the post of Deputy Director (FAO) in Office of the Auditor General of Pakistan Islamabad, on 3rd November, 2020 after availing permissible joining time.

NADIA USMAN,  
Assistant Auditor General (PA&AS).

[OFFICE OF THE CONTROLLER GENERAL OF ACCOUNTS]

Islamabad, the 5th November, 2020

**No. 779/CGA/Admn-I/03-91/2010.**—Consequent upon his posting on Deputation in Printing Corporation of Pakistan (Private) Limited, Head Quarters, Islamabad *vide* this office Letter No. 802/CGA/Estt/Dep-2/2017/Vol-I dated 27th October, 2020, Mr. Amir Muhammad Afridi, Accounts Officer (B-18) of this office has relinquished the charge of his post on 27th October, 2020.

JIBRAN KHAN DURRANI,  
Assistant Controller General of Accounts (Admin).

Islamabad, the 5th November, 2020

**No. 835/CGA/Estt/T.T/AGPR/2020/24.**—The Deputy Controller General has been pleased to order the following postings/transfers on temporary transfer basis as per applicants, mutual request.

| Sr. # | Name of Officers                               | From                                   | To                                     |
|-------|--|--|--|
| i.    | Mr. Bilal Ameen, Senior Auditor (BS-16)        | Accountant General Punjab, Lahore      | Office of the AGPR sub office, Karachi |
| ii.   | Mr. Abdul Waqas Janjoa, Senior Auditor (BS-16) | Office of the AGPR sub office, Karachi | Accountant General Punjab, Lahore      |

2. The officers may be relieved off their duties with the direction to join new assignments, under intimation to this office.

Islamabad, the 10th November, 2020

**No. 841/CGA/Estt/temporary transfer/ AGPR/2020/24.**—The Deputy Controller General of Accounts has been pleased to order the posting of Mr. Nando Lal, Senior Auditor (BS-16) of DAPPOD, Lahore to Accountant General Punjab, Lahore, on temporary transfer basis for the period of three years.

**No. 856/CGA/Estt/24-13/1-16/17/PF/25.**—The Deputy Controller General has been pleased to order the following postings/transfers on temporary transfer basis as per their own willingness / requests.

| Sr. # | Name of Officers                               | From  | To  |
|-------|--|---|---|
| i.    | Mr. Basam Sabri,<br>Senior Auditor<br>(BS-16)  | Office of the<br>AGPR, Islamabad  | Office of the Director<br>General<br>(MIS/FABS), CGA<br>office, Islamabad                         |
| ii.   | Mr. Asif Mahmood,<br>Senior Auditor<br>(BS-16) | Directorate of<br>Accounts Pakistan<br>Post office<br>Department,<br>Lahore | Office of the Director<br>General<br>(MIS/FABS), CGA<br>office, Islamabad, on<br>attachment basis |

2. The officers may be relieved off their duties with the direction to join new assignments, under intimation to this office.

ROIDAR ALI,  
Accounts Officer (Establishment).

[DIRECTORATE GENERAL OF AUDIT WORKS (PROVINCIAL)]

Lahore, the 5th November, 2020

**No. DGAWPL/Admn-I/14-42/PF-339/306.**—Consequent upon induction in IDC as Assistant Director and posting as Assistant Controller Office of the CLA (DS) Lahore, Kanwar Izhar Ahmad, Audit Officer relinquished the charge of his post in the office of the Director General Audit Works (Provincial) Lahore on 29th October, 2020.

ARSHAD LIAQUAT CHAUDHRY,  
Director General.

#### ELECTION COMMISSION OF PAKISTAN

Islamabad, the 1st December, 2020

**No. F. 4(10)/2009-Estt-II.**—Mr. Wadood Ahmed, Election Officer in the office of District Election Commissioner-II, Lahore is hereby transferred and posted in the office of District Election Commissioner, Quetta with immediate effect and until further orders.

This has the approval of Secretary, Election Commission of Pakistan.

BASIL AKRAM,  
Deputy Director (Estt-II).

Islamabad, the 2nd December, 2020

**No. F. 3(9)/2010-Estt-I.**—The Hon'ble Chief Election Commissioner in exercise of powers vested with him *vide* Rule 5 (1)(b) of the Election Rules, 2017 read with sub-para (iii) of the Finance Division's O.M. No. F. 3(7)/Exp-III/2000, dated the 25th July, 2000 has been pleased to downgrade and re-designate the following posts under the Election Commission of Pakistan in public interest with immediate effect and until further orders:-

| Sl. No. | Existing nomenclature of posts  | New nomenclature of posts  |
|---------|---|--|
| 1.      | 2.  | 3.   |
| 1.      | Director (Gender Affairs) BS-19 in the office of PEC, Punjab, Lahore      | Deputy Director (Gender Affairs) BS-18 in the office of PEC, Punjab, Lahore      |
| 2.      | Director (Gender Affairs) BS-19 in the office of PEC, Sindh, Karachi      | Deputy Director (Gender Affairs) BS-18 in the office of PEC, Sindh, Karachi      |
| 3.      | Director (Gender Affairs) BS-19 in the office of PEC, KP, Peshawar        | Deputy Director (Gender Affairs) BS-18 in the office of PEC, KP, Peshawar        |
| 4.      | Director (Gender Affairs) BS-19 in the office of PEC, Balochistan, Quetta | Deputy Director (Gender Affairs) BS-18 in the office of PEC, Balochistan, Quetta |

IMRAN ZAFAR,  
Deputy Director (Estt-I).

#### MINISTRY OF ENERGY

(Petroleum Division)

[POLICY WING]

Islamabad, the 27th November, 2020

**No. 3(56)/91-Oil/Deptt.**—Mr. Iltaf Hussain Ansari, Director (Non-Technical)/BS-19 currently posted as Director (L&M)/BS-19, Directorate General (Oil), Policy Wing, Petroleum Division, Ministry of Energy is granted 12 days LFP with effect from 7th December, 2020 to 18th December, 2020. Since he is Focal Person of FIA Inquiry on shortage of Patrol, he is advised to be readily available to appear before the Inquiry Committee and Lahore High Court "as and when required basis" on a short notice during the said leave.

This issues with the approval of Secretary, Petroleum Division.

**No. PW-8(4)/2020-Admn.**—Since Mr. Riaz Ali, Deputy Director (Technical)/BS-18 has been promoted to the post of Director (Technical)/BS-19 on regular basis *vide* notification No.2(5)/91-Oil/Deptt-Vol-VI, dated 24th November, 2020, the current charge of the post of Director (Exploration)/BS-19 assigned to the officer *vide* notification of even number dated 5th November, 2020 is hereby withdrawn with effect from 23rd November, 2020.

This issues with the approval of Secretary, Petroleum Division.

IMRAN SALEEM,  
Deputy Director (Admin).

MINISTRY OF FINANCE, REVENUE AND ECONOMIC  
AFFAIRS

(Finance Division)

[HRM WING]

Islamabad, the 16th November, 2020

**No. F. 1-248/2007-HR-II.**—Mr. Abdul Aziz, Assistant Private Secretary (BS-16), Finance Division, Islamabad, shall stand retired from Government Service on attaining the age of superannuation on 19th March, 2021 (according to his date of birth 20th March, 1961).

DR. UMAR JAWAID,  
Section Officer (HR-II).

[BUDGET WING]

Islamabad, the 17th November, 2020

**No. F. 6(37)GS-II/2016-1380.**—Whereas Federal Service Tribunal in its judgement dated 26th September, 2017 in Appeal No. 1619(R)CS/2016 filed by Ms. Mobina Qureshi, ordered that case of the appellant be considered for promotion to the post of Assistant Director (BS-18) by giving meaningful consideration and giving effect to the promotion in November/December, 2011 or at least from 22nd January, 2014, the date when the Recruitment Rules were amended.

2. And whereas, the *ex-officer* was promoted to the upgraded post of National Savings Officer (BS-17) with effect from 25th February, 2014 and she stood retired on attaining superannuation on 10th October, 2014. The existing Departmental Promotion Committee (DPC) is not authorized to recommend the officer for promotion from 2011 as no meeting of DPC was held during the years from 2011 to 2014 and recruitment rules for National Savings Department were amended and notified *vide* Finance Division's SRO 274(I)/2014 dated 22nd January, 2014.

3. Now, therefore in compliance with the FST orders, the recommendation of the DPC and with the approval of Appointing Authority/Finance Secretary, Ms. Mobina Quershi, National Savings Officer (BS-17) (retired) is granted antedated promotion to the post of Assistant Director (BS-18) in Central Directorate of National Savings (CDNS) with effect from 26th February, 2014, alongwith consequential benefits as per prescribed rules and regulations.

4. This case shall not be considered as precedent for any other matters related to promotion of CDNS officers.

FAHAD AHMED,  
Section Officer (CDNS).

[MILITARY FINANCE WING]

Rawalpindi, the 2nd December, 2020

**No. F. 5-1/HRM-I/2504.**—In terms of Finance Division's O.M dated 18th March, 1987, Mr. Muhammad Rafi, Assistant Financial Adviser (DP-III) of this Wing has been

allowed to hold the additional charge against the vacant post of Assistant Financial Adviser (DP-II) in addition to his own duties with effect from 1st December, 2020 for a period of 3 months or till the posting of regular incumbent whichever is earlier.

FATIMA BURKI,  
Assistant Financial Adviser (HRM-I).

(Economic Affairs Division)

Islamabad, the 27th November, 2020

**No. 1(1)/EA/A-I/2020.**—In pursuance of Establishment Division's Notification No. 8/2/2020-E-VII dated 20th November, 2020, Mr. Fahad Mahmud Mirza has relinquished the charge of the post of Section Officer (OMG/BS-18-Acting Charge) and assumed the charge of the post of Section Officer (OMG/BS-18) on regular basis in Economic Affairs Division with effect from 20th November, 2020.

SAJID HUSSAIN ABBASI,  
Section Officer (Admin-I).

Islamabad, the 2nd December, 2020

**No. F 1(132)/EA/Admin-II/99.**—Mr. Abid Nadeem, Stenotypist (BPS-14), Economic Affairs Division is assigned current charge of the post of Assistant Private Secretary (BS-16) in the office of Additional Secretary-II, Economic Affairs Division for a period of three months (90 days) with effect from 17th November, 2020 to 14th February, 2021 or till the availability of a regular incumbent of the post, whichever is earlier.

This issues with the approval of Secretary EAD.

KHALID MAHMOOD,  
Section Officer (Admin-II).

MINISTRY OF HOUSING & WORKS

Islamabad, the 19th November, 2020

**No. F. 1(20)/2020-Admn-I.**—In pursuance of Estate Office, Islamabad's Letter No. 10(96)/2020-Admn/EO dated 17th November, 2020 read with this Ministry's letter of even number dated 13th November, 2020 and with the approval of Additional Secretary (H&W), Mr. Muhammad Maaz Tahir, Assistant (BS-15), Estate Office Management, Islamabad is hereby transferred and posted as Accountant (BS-16) in Ground Rent Section, Ministry of Housing & Works, Karachi under Section 10 of Civil Servants Act, 1973 on deputation basis on standard terms and conditions.

Estate Office Management is therefore requested to relieve the official to enable him to join Ground Rent Section, Karachi.

Islamabad, the 26th November, 2020

**No. F. 11(44)/91-Admn-III.**—With the approval of competent authority/Secretary (H&W), Mr. Muhammad Rashid, Superintending Engineer (Civil) (BS-19) Central Civil Circle, Pak. PWD, Multan is assigned current charge of the vacant post of Chief Engineer, (BS-20) (Central Zone) Pak. PWD, Lahore in addition to his own duties for a period of three months or till the posting of a regular incumbent whichever is earlier with immediate effect.

**No. F. 8(54)/2019-Admn-I.**—With the approval of competent authority *i.e.* Secretary (H&W), Mr. Riaz Ahmad Abid Sindhu, Director (Legal), National Highway Authority, presently working as Director (Law) (BS-19) in FGE Housing Authority on deputation basis is hereby repatriated to his parent department with immediate effect.

**No. F. 8(41)/2019-Admn-I.**—With the approval of competent authority *i.e.* Secretary (H&W), Mr. Farrukh Bashir, Manager Legal (SPS-09), National Engineering and Scientific Commission (NESCOM), presently working as Deputy Director (Law) (BS-18) in FGE Housing Authority of deputation basis is hereby repatriated to his parent department with immediate effect.

MUHAMMAD KAMRAN,  
Section Officer (Admn-I).

Islamabad, the 23rd November, 2020

**No. F. 11(1)/83-Admn-III.**—On attaining the age of superannuation *i.e.* 60 years Mr. Shahid Farzand, Director General (BS-21), Pak. PWD, Islamabad shall stand retired from Government Service with effect from 9th December, 2020 by virtue of his date of birth as 10th December, 1960.

SYED ZEESHAN RAZA ZAIDI,  
Section Officer (Admn-III).

MINISTRY OF INDUSTRIES AND PRODUCTION

(Industries and Production Division)

Islamabad, the 2nd December, 2020

**No. 1(55)/2019-Admin-I.**—Syed Shahbaz Hassan, Superintendent is assigned the current charge of the post of Section Officer (Budget) with effect from 30th November, 2020 for a period of three months or till the availability of regular officer whichever is earlier.

The officer will be entitled to draw special remuneration @ 20% of his basic pay subject to maximum up to Rs. 12,000/- per month.

This issues with the approval of Additional Secretary-I, Industries and Production Division.

OMER MANZOOR SHEIKH,  
Section Officer (Admn-I).

MINISTRY OF INFORMATION TECHNOLOGY AND  
TELECOMMUNICATION

Islamabad, the 2nd December, 2020

**No. F. 4-30/2014-Dev.**—Consequent upon the approval of Secretary, IT, Mr. Jamil-ur-Rehman, Superintendent (BS-17) is promoted against the post of Assistant Director (BS-17), National Information Technology Board with immediate effect.

2. The above officer will be on probation for a period of one year. This period shall curtailed for good and sufficient reasons to be recorded, or considered necessary, it shall be extended for a period not exceeding one year.

NASEEM AHMED KHAN,  
Deputy Secretary.

MINISTRY OF INTERIOR

Islamabad, the 2nd December, 2020

**No. F. 3/11/2020-FC(KP)North.**—Consequent upon approval of the competent authority, the following Superintendents (BPS-16) of HQs Frontier Corps KP (North), Peshawar are hereby granted Higher Time Scale (BPS-17) with effect from 27th October, 2020.

| S. # | Name of Incumbent                                 |
|------|---|
| a.   | Mr. Muhammad Akbar, Superintendent (BPS-16)       |
| b.   | Mr. Fayyaz Muhammad Khan, Superintendent (BPS-16) |
| c.   | Mr. Muhammad Sayyar Khan, Superintendent (BPS-16) |
| d.   | Mr. Gul Salim Khan, Superintendent (BPS-16)       |
| e.   | Mr. Habib Ur Rehman, Superintendent (BPS-16)      |
| f.   | Mr. Musarrat Hussain, Superintendent (BPS-16)     |
| g.   | Mr. Jumaraz Khan, Superintendent (BPS-16)         |

MUHAMMAD HASSAN,  
Section Officer (FC).

MINISTRY OF LAW AND JUSTICE

Islamabad, the 2nd December, 2020

**No. F. 37(1)/2020-A.II.**—On the recommendations of Departmental Promotion Committee-I (DPC-I) and with the

approval of Secretary, Law and Justice Division, Syed Tauqeer Hussain Shah, Assistant Private Secretary (BPS-16) of Federal Service Tribunal, Islamabad is hereby promoted to the post of Private Secretary (BS-17) with immediate effect.

He will be placed on probation for a period of one year, extendable to another period not exceeding one year.

**No. F. 33(1)/2018-A.II (pt).**—The Secretary, Law and Justice Division has been pleased to grant 09 days leave on full pay with effect from 26th November, 2020 to 4th December, 2020 to Mr. Ghaffar Jalil, Member (MP-I), Federal Service Tribunal, Islamabad.

After expiry of leave, the Member is likely to resume his duties on the same post and station from where he will proceed on leave.

MEHWISH SHABBIR,  
Section Officer.

Islamabad, the 2nd December, 2020

**No. 24(15)/1997-A.III (Pt).**—In exercise of the powers conferred by section 3 (2) of the Special Court (Offenses in Banks) Ordinance, 1984 (Ordinance No. IX of 1984), the Federal Government is pleased to appoint Mr. Ameer Muhammad Khan, District and Sessions Judge (BS-21) as Presiding Officer, Special Court (Offenses in Banks-I) Lahore on deputation basis in his own pay and scale till the date of his superannuation *i.e.* 31st May, 2023 with effect from the date of assumption of charge.

**No. 24(15)/1997-A.III (Pt).**—In exercise of the powers conferred by section 5 (4) of the Financial Institutions (Recovery of Finances) Ordinance, 2001 (XLVI of 2001), the Federal Government is pleased to appoint the following District and Sessions Judges in BS-21, on deputation basis, in their own pay and scales for a period of three years or until further orders, whichever is earlier, with effect from the date of assumption of charge:-

|       |   |  |
|-------|---|--|
| (i)   | Mr. Abdur Raheem,<br>D&SJ/OSD, Sessions Court,<br>Rawalpindi          | Judge, Banking Court,<br>Sargodha, <i>vice</i> Malik<br>Khizer Hayat Khan, D&SJ<br>superannuating with effect<br>from 30th November, 2020. |
| (ii)  | Mr. Arshad Mahmood,<br>D&SJ/OSD, Sessions<br>Court, Lahore            | Judge, Banking Court-I,<br>Faisalabad, against<br>existing vacancy.  |
| (iii) | Mr. Muhammad Ashiq,<br>D&SJ/OSD, Sessions<br>Court, Lahore            | Judge, Banking Court-II,<br>Lahore, against existing<br>vacancy.   |
| (iv)  | Mr. Atiq-ur-Rehman,<br>D&SJ/Judge, Anti-Terrorism<br>Court, Sargodha. | Judge, Banking Court-II,<br>Multan, against on existing<br>vacancy.  |

**No. 24(22)/97-A.III (Vol-VI).**—In exercise of the powers conferred by section 5(4) of the Financial Institutions (Recovery of Finances) Ordinance, 2001 (XLVI of 2001), the Federal Government is pleased to appoint Mr. Amjad Iqbal Ranjha, District and Sessions Judge (BS-21) as Judge Banking Court, Rawalpindi on deputation basis in his own

pay and scale for a period of three (03) years or until further orders, whichever is earlier, with effect from the date of assumption of charge.

MUHAMMAD RAZAULLAH LAKHO,  
Section Officer (A.III).

(Law and Justice Division)

Islamabad, the 1st December, 2020

**No. F. 15(1)/2017-(Sol.IV) (Vol-III).**—The competent authority has been pleased to extend the period of contract of following Consultants (MP-II and III) of the Attorney General's Office, for a further period of one year *i.e.* with effect from 23rd October, 2020.

- i. Mr. Someir Siraj in MP-II Scale;
- ii. Mr. Usman Piracha in MP-II Scale'
- iii. Mr. Sameer Shafiq in MP-III Scale; and,
- iv. Ms. Maham Naweed in MP-III Scale;

ASHEEM A. K. SHERWANI,  
Section Officer.

Islamabad, the 2nd December, 2020

**No. F. 2(13)/2019-A.V.**—In pursuance of this Division's notification of even number dated 17th November, 2020, Syed Ali Imran, District and Sessions Judge has assumed the charge of the post of Judge, Special Court (Central-II), Gujranwala on 25th November, 2020.

He is also entrusted the powers of Drawing and Disbursing Officer (DDO), Special Court (Central-II), Gujranwala with immediate effect and until further orders.

FAISAL MALIK,  
Section Officer (A-V).

MINISTRY OF NATIONAL HEALTH SERVICES,  
REGULATIONS & COORDINATION

Islamabad, the 26th November, 2020

**No. F. 28-1/2019-PIMS/MTI.**—In pursuance of the Cabinet Decision dated 24th November, 2020, the Federal Government has been pleased to constitute a "Search and Nomination Council" under Section 7 of the Federal Medical Teaching Institutes Ordinance, 2020 comprising of the following members, with immediate effect :-

- 1) Dr. Faisal Sultan, Chairman  
SAPM for Ministry of NHR&C.
- 2) Mr. Amir Ashraf Khawaja Vice Chairman  
Secretary, Ministry of NHR&C.



- |    |  |        |  |
|----|--|--------|--|
| 3) | Mr. Mathar Niaz Rana<br>Secretary Planning Division.           | Member | This issues with the approval of the Secretary, Ministry of NHS,R&C.   |
| 4) | Dr. Muhammad Ali<br>VC of Quaid-e-Azam University.             | Member | <p><b>No. PF.16-(67)/2012/Admn-I.</b>—The competent authority has been pleased to allow 365 days encashment from 1st January, 2021 to 31st December, 2021 in lieu of LPR, to Mr. Khalil-ur-Rehman, Superintendent (BS-17), Ministry of National Health Services, Regulations &amp; Coordination (NHS, R&amp;C).</p> <p>The officer concerned, shall stand retired from Government Service, with effect from 1st January, 2022 on attaining the age of superannuation <i>i.e.</i> 60 years.</p> <p style="text-align: right;">Islamabad, the 27th November, 2020</p> <p><b>No. F. 11(54)SA/2019-(Admn-I).</b>—Mr. Sohail Ahmed, Section Officer (BS-18), Ministry of National Health Services, Regulations and Coordination (NHSRC) is granted 31 days leave on full pay (LFP), with effect from 14th September, 2020 to 14th October, 2020.</p> <p>This issues with the approval of the Additional Secretary, Ministry of NHS, R&amp;C.</p> <p style="text-align: right;">Islamabad, the 4th December, 2020</p> <p><b>No. PF. 2-49/2017-(Admn-I).</b>—The services of Mr. Irfan-ullah, Accounts Officer (BS-18), Ministry of National Health Services, Regulations and Coordination (NHSR&amp;C), presently posted as Deputy Director (BS-18), in Coordination Unit to Manage Gobar Fund, Islamabad on deputation basis is repatriated to this Ministry, with immediate effect.</p> <p>This issues with the approval of Secretary, Ministry of NHSR&amp;C.</p> <p><b>No. PF.11(70)/2019-(Admn-I).</b>—The Competent Authority <i>i.e.</i> Secretary, Ministry of National Health Services, Regulations and Coordination (NHSR&amp;C) is pleased to place the services of Dr. Kashif Hussain, Section Officer (OMG/BS-18), Ministry of National Health Services, Regulations and Coordination, Islamabad at the disposal of Expanded Programme on Immunization (EPI), Islamabad as Deputy Director (M&amp;E) on deputation basis under Section-10 of the Civil Servants Act, 1973, with immediate effect.</p> <p style="text-align: right;">Islamabad, the 7th December, 2020</p> <p><b>No. PF. 11(70)/2019-(Admn-I).</b>—In pursuance of this Ministry's notification of even number, dated 4th December, 2020, Dr. Kashif Hussain has relinquished the charge of the post of Section Officer (BS-18), Ministry of NHSR&amp;C, with effect from 4th December, 2020.</p> <p><b>No. PF. 10(11)AR/2018-Admn-I.</b>—In pursuance of Establishment Division's Notification No. 8/2/2020-E-VII, dated 20th November, 2020, Mr. Ali Raza (OMG/BS-18-Acting Charge), has relinquished the charge of the post of Section Officer (BS-18), Ministry of National Health Services, Regulations and Coordination, with effect from 20th November, 2020.</p> |
| 5) | Dr. Abdul Bari Khan<br>Consultant Cardiac Surgeon              | Member |  |
| 6) | Maj. Gen. (Retd.) Masud ur Rehman<br>Kiani, President (PANAH). | Member |  |
| 7) | Dr. Nausheen Hamid<br>Parliamentary Secretary, NHSR&C.         | Member |  |

MUHAMMAD IQBAL,  
Deputy Secretary (Admn-I).

Islamabad, the 25th November, 2020

**No. F. 1-339/2013-Estab-III.**—Dr. Kamal Nasir, Professor of Anaesthesia (BS-20), Pakistan Institute of Medical Sciences (PIMS), Islamabad is granted 6 days *ex-Pakistan* leave on full pay for the period from 26th November, 2020 to 1st December, 2020 to proceed to Turkey on private affairs.

Ministry of National Health Services, Regulations & Coordination has no objection to the proceeding abroad of above officer during the above leave period.

**No. F. 1-975/2020-Estab-III.**—Ms. Aphia Daniel, Charge Nurse (BS-17), Pakistan Institute of Medical Sciences (PIMS), Islamabad is granted 30 days *ex-Pakistan* leave on full pay from 18th December, 2020 to 16th January, 2021 to proceed to USA on private affairs.

Ministry of National Health Services, Regulations & Coordination has no objection to the proceeding abroad of above officer during the above leave period.

**No. F. 1-366/2013-Estab-III.**—With the approval of competent authority, Mr. Muhammad Yousaf Khan, Bio-Chemist (BS-17), Pakistan Institute of Medical Sciences (PIMS), Islamabad is granted the study leave of 365 days, with effect from 1st October, 2020 to 30th September, 2021 as leave on half average pay (LHP) for Ph.D in Microbiology from Quaid-e-Azam University, Islamabad.

ZAFAR IQBAL,  
Deputy Secretary (Tech-I).

Islamabad, the 23rd November, 2020

**No. PF. 11(57)SHM/2019-Admn-I.**—Syed Hassan Mehmood, Section Officer (Tech-III), Ministry of National Health Services, Regulations and Coordination is assigned additional charge of the post of Administrative Officer (BS-17), Safe Blood Transfusion Project, with immediate effect for a period of three months or till posting of a regular incumbent, whichever is earlier.

On promotion, Mr. Ali Raza (OMG/BS-18), has assumed the charge of Section Officer (BS-18), in National Health Services, Regulations and Coordination, with effect from 20th November, 2020.

**No. PF. 10(12)ZHS/2018-Admn-I.**—In pursuance of Establishment Division's Notification No. 8/2/2020-E-VII, dated 20th November, 2020, Mr. Zuhaib Hassan Shaikh (OMG/BS-18-Acting Charge), has relinquished the charge of the post of Section Officer (BS-18), Ministry of National Health Services, Regulations and Coordination, with effect from 20th November, 2020.

On promotion, Mr. Zuhaib Hassan Shaikh (OMG/BS-18), has assumed the charge of Section Officer (BS-18), in National Health Services, Regulations and Coordination, with effect from 20th November, 2020.

**No. PF. 2-49/2017-(Admn-I).**—In pursuance of this Ministry's notification of even number, dated 4th December, 2020, Dr. Andaleeb Umar has relinquished the charge of the post of Assistant Director (BS-17), Ministry of NHSR&C, with effect from 7th December, 2020.

**No. F. 28-1/2019-PIMS/MTI.**—In pursuance of the Cabinet Decision No. 963/47/2020, dated 1st December, 2020, the Federal Government has been pleased to approve the appointment of members of Board of Governors under Section 4 of the Federal Medical Teaching Institutes Ordinance, 2020 comprising of the following, with immediate effect :-

|                           |        |
|---------------------------|--------|
| 1) Mirza Qamar Beg        | Member |
| 2) Syed Bakhtiyar Kazmi   | Member |
| 3) Dr. Hamayun Mohmand    | Member |
| 4) Mr. Naveed Khalid Butt | Member |

Islamabad, the 9th December, 2020

**No. PF.11(47)/2019-Admn-I.**—In pursuance of Establishment Division's Notification No. 8/2/2020-E-VII, dated 20th November, 2020, Ms. Beenish Noor (OMG/BS-17) has relinquished the charge of the post of Section Officer (BS-17), Ministry of National Health Services, Regulations and Coordination, with effect from 20th November, 2020.

On promotion, Ms. Beenish Noor (OMG/BS-18), has assumed the charge of Section Officer (BS-18), in National Health Services, Regulations and Coordination, with effect from 20th November, 2020.

Islamabad, the 14th December, 2020

**No. 217-MA/2015-SO (Admn-I).**—Ch. Muhammad Amin, Assistant Private Secretary (BS-16) of this Ministry stand retired from Government Service on attaining the age of superannuation, with effect from 10th January, 2020.

This issues with the approval of competent authority.

Islamabad, the 16th December, 2020

**No. F.11(11)/2015-Admn-I.**—Mr. Adeel Ashraf, Deputy Secretary (BS-19), Ministry of NHSR&C is granted 15 days R&R leave on full pay, with effect from 14th December, 2020 alongwith permission to leave the station.

This issues with the approval of competent authority *i.e.* Additional Secretary, Ministry of NHSR&C.

Islamabad, the 17th December, 2020

**No. PF.150-NN/Admn-I.**—Mr. Naseer Nazar, Superintendent (BS-17) of this Ministry will stand retired from Government Service on attaining the age of superannuation with effect from 15th January, 2021.

This issues with the approval of competent authority.

Islamabad, the 21st December, 2020

**No. PF.10-4/2019-(Admn-V).**—The services of Mr. Gulzar Ali Mallah, Statistical Officer (BS-17), Ministry of National Health Services, Regulations and Coordination (NHSR&C), presently posted as Deputy Director (PPS-08) in Sehat Sahulat Program, Islamabad on deputation basis is repatriated to this Ministry, with immediate effect.

This issues with the approval of Secretary, Ministry of NHSR&C.

Islamabad, the 23rd December, 2020

**No. PF.10-4/2019-(Admn-V).**—In pursuance of this Ministry's Notification No. 10-4/2019-(Admn-V), dated 21st December, 2020, Mr. Gulzar Ali Mallah has assumed the charge of the post of Statistical Officer (BS-17), in Ministry of National Health Services, Regulations & Coordination, with effect from 21st December, 2020.

Islamabad, the 29th December, 2020

**No. PF.11(47)/2019-(Admn-I).**—Syed Hassan Mehmood, Section Officer (Tech-III), Ministry of National Health Services, Regulations and Coordination is assigned additional charge of the post of Section Officer (Tech-II), Ministry of NHSR&C, with immediate effect for a period of three months or till posting of a regular incumbent, whichever is earlier.

This issues with the approval of the Additional Secretary, Ministry of NHSR&C.

FARHAN SIKANDAR,  
Section Officer (Admn-I).

Islamabad, the 26th November, 2020

**No. PF.7-2/2016-Admn-IV.NRIFC.**—In partial modification of this Ministry's notification of even number, dated 23rd November, 2020, the competent authority NHSR&C, Islamabad has been pleased to accord approval for grant of 89 days leave on full pay to Dr. Bharat Kumar, Deputy

Director (BS-18), NRIFC from 23rd November, 2020 with permission to leave the station.

During his leave period, Miss Ambreen Ikram, Research Investigator has been assigned additional charge of the post of Drawing and Disbursing Officer (BS-17), NRIFC for 89 days.

This issues with the approval of competent authority.

ZUHAIB HASSAN SHAIKH,  
Section Officer (Admn-IV).

Islamabad, the 23rd November, 2020

**No. 13-1/2020-T-IV(NIRM).**—In pursuance of Establishment Division's Notification No. 1/60/2020-E-4, dated 26th August, 2020 and pursuance of this Ministry's Notification No. 13-1/2020-T-IV (NIRM), dated 20th October, 2020, Dr. Sumera has assumed the charge of the post of Radiologist (BS-18), in National Institute of Rehabilitation Medicine (NIRM), Islamabad, with effect from 9th November, 2020.

IMRAN ALI,  
Section Officer (T-IV).

Islamabad, the 24th November, 2020

**No. F.1-648/2020-T-II.**—With the approval of competent authority *i.e.* Secretary, Ministry of National Health Services, Regulations and Coordination, Dr. Rakshanda Tasneem, Medical Officer, FGPC is granted 02 years Extra Ordinary Leave (EOL), without pay, with effect from 12th October, 2020.

Islamabad, the 27th November, 2020

**No. F.1-57/2012-T-II.**—Dr. Maria Azad, Gynecologist (BS-18), Railways Hospital, Rawalpindi presently working in Federal Government Polyclinic, Islamabad has been given extension in deputation for further period of two years, with effect from 29th February, 2020 on standard terms and conditions.

DR. BEENISH NOOR,  
Section Officer (T-II).

Islamabad, the 23rd November, 2020

**No. F. 2-57/2017-Admn-IV.**—Dr. Faisal Rifaq, Chief Executive Officer (PPS-12), Sehat Sahulat Program under Ministry of National Health Services Regulations & Coordination is granted 10 days medical leave from 13th November, 2020 to 22nd November, 2020.

This issues with the approval of Secretary, Ministry of NHSR&C.

MUHAMMAD ASHRAF NASAR,  
Section Officer (Admn-III).

[DRUG REGULATORY AUTHORITY OF PAKISTAN]

Islamabad, the 30th November, 2020

**No. PF.101-MA/Admn-I.**—In pursuance of Drug Regulatory Authority of Pakistan's notification of even number, dated 8th October, 2020, Mr. Muhammad Arshad, Superintendent (RO-12), Admin-II Section, Administration, HR & Logistics Division, Drug Regulatory Authority of Pakistan, Islamabad was granted 40 days leave with full pay (LFP), with effect from 12th October, 2020 to 20th November, 2020, with permission to leave the station.

After availing the said leave the officer has assumed the charge, with effect from 23rd November, 2020 on the same post and at the same station (Public holidays on 21st November, 2020 & 22nd November, 2020).

**No. PF.132-MT/Admn-I.**—In pursuance of Drug Regulatory Authority of Pakistan's Office Order No. PF.132-MT/Admn-II, dated 12th November, 2020, Mrs. Mehwish Tanveer has relinquished the charge of the post of Assistant Director / Federal Inspector of Drugs-VII, (RO-12) DRAP Karachi on 23rd November, 2020 and assumed the charge of the post of Assistant Director (RO-12), Drug Regulatory Authority of Pakistan, Islamabad on 30th November, 2020.

**No. PF.1668-MAB/Admn-I (Vol-III).**—In pursuance of Drug Regulatory Authority of Pakistan, Islamabad's Office Order No. F.6-6/2011/Admn-I (Pt.), dated 9th November, 2020, Mr. Manzoor Ali Bozdar, Deputy Director (RO-13), DRAP, Islamabad has assumed the charge of the post of Additional Director (Licensing), Drugs Licensing Division, DRAP Islamabad, with effect from 10th November, 2020 in his own pay & scale on look after basis for a period of three (03) months.

MUHAMMAD MURAD KHAN,  
Deputy Director (Admin-I).

MINISTRY OF OVERSEAS PAKISTANIS AND  
HUMAN RESOURCE DEVELOPMENT

Islamabad, the 27th November, 2020

**No. 1(5)/2018-Admn-I.**—Syed Wajid Ali Shah, Deputy Secretary (BS-19), Ministry of Overseas Pakistanis and Human Resource Development has been granted 30 days leave on full pay (LFP), with effect from 7th December, 2020 to 5th January, 2021, subject to title.

This issues with the approval of Secretary, Ministry of OP&HRD.

**No. F.1(19)/2018-Admn-I.**—With the approval of Secretary, Ministry of OP&HRD, Ms. Noureen Fatima, Assistant Chief (Welfare), has been given current charge of the post of Deputy Chief (Welfare) in this Ministry, in addition to her own duties, with effect from 7th December, 2020 to 5th January, 2021.

She is entitled to special pay @ 20% of her basic pay, subject to maximum of Rs. 12,000/- p.m. in terms of existing rules on the subject.

**No. F.1(19)/2018-Admn-I.**—With the approval of Secretary, Ministry of OP&HRD, Mr. Muhammad Asad ul Haq, Section Officer (Law), has been given additional charge of the post of Section Officer (NIRC) in this Ministry, in addition to his own duties, with effect from 3rd November, 2020, for a period not exceeding 90 days or till posting of a regular incumbent, whichever is earlier.

He is entitled to special allowance @ 20% of his basic pay, subject to maximum of Rs. 12,000/- p.m. in terms of existing rules on the subject.

Islamabad, the 30th November, 2020

**No. PF.1(7)/2017-Admn-I.**—In pursuance of Establishment Division's Notification No. F.8/2/2020-E-VII, dated 20th November, 2020, Mr. Basit Ehsan, Section Officer (BS-17), has relinquished the charge of the post of Section Officer (BS-17), Ministry of Overseas Pakistanis and Human Resource Development on 30th November, 2020.

**No. F.4(1)/2018-Admn-I.**—With the approval of Secretary, Ministry of OP&HRD, Mr. Asad Ullah, Section Officer (Admn-II), has been given additional charge of the post of Section Officer (Emig-III) in this Ministry, in addition to his own duties, with effect from 30th November, 2020, for a period not exceeding 90 days or till posting of a regular incumbent, whichever is earlier.

He is entitled to Special Allowance @ 20% of his basic pay, subject to maximum of Rs. 12,000/- p.m. in terms of existing rules on the subject.

RAJA SHAHROZE ABBAS,  
Section Officer (Admn-I).

---

MINISTRY OF PARLIAMENTARY AFFAIRS

Islamabad, the 30th November, 2020

**No. F. 25(1)/2020-PA(Admn).**—In pursuance of Establishment Division's Notification No. F. 8/2/2020-E-VII, dated 20th November, 2020, Mr. Shoaib Ur Rehman, Section Officer (BS-18 Acting Charge), has assumed the charge of the post of Section Officer (BS-18), on regular basis in Ministry of Parliamentary Affairs on 20th November, 2020.

**No. F. 25(10)/2018-PA(Admn).**—In pursuance of Establishment Division's Notification No. F. 8/2/2020-E-VII, dated 20th November, 2020, Ms. Saima Saleh, Section Officer (OMG/BS-17), has assumed the charge of the post of Section Officer (BS-18/Acting Charge) in Ministry of Parliamentary Affairs on 20th November, 2020.

**No. F. 25(11)/2018-PA(Admn).**—In pursuance of Establishment Division's Notification No. F. 8/2/2020-E-VII, dated 20th November, 2020, Ms. Aqsa Jamal, Section Officer

(OMG/BS-17), has assumed the charge of the post of Section Officer (BS-18/Acting Charge), in Ministry of Parliamentary Affairs on 20th November, 2020.

AHMED SHAMSUR REHMAN,  
Section Officer.

---

MINISTRY OF PLANNING, DEVELOPMENT & SPECIAL INITIATIVES

[PLANNING COMMISSION]

Islamabad, the 27th November, 2020

**No. 39(2)Imp-I/PD&SI/2020.**—With approval of the Secretary, Ministry of Planning, Development and Special Initiative, Dr. Muhammad Asif, Chief, Health Section, Ministry of PD&SI has been allowed additional charge of the post of Project Director of the Project titled "Strengthening of Civil Registration & Vital Statistics System" with immediate effect, for a period of 90 days, or till appointment of an original incumbent whichever is earlier.

HABIB ZADA,  
Deputy Secretary (Imp.).

---

MINISTRY OF RAILWAYS

[RAILWAY BOARD]

Islamabad, the 30th November, 2020

**No. 11-1/Med/2013-A.II.**—In pursuance of the Establishment Division's Letter No. 1/70/2014-E-4, dated 5th November, 2020 and Ministry of National Health Services, Regulations & Coordination, Islamabad's Notification No. F.1-57/2012-T-II, dated 27th November, 2020, approval of the competent authority is further notified to the extension in deputation of Dr. Maria Azad, Gynecologist (BS-18), Pakistan Railways presently working in Federal Government Polyclinic (FGPC), Islamabad for further period of two years, with effect from 29th February, 2020 on standard terms and conditions, and until further orders.

WAQAR AHMED,  
Deputy Director / Admn-II.

Islamabad, the 26th November, 2020

**No. Admn-IV/06-TR/2 (Pt).**—In pursuance of Establishment Division's Notification No. 12(11)/91-E-3 (Police), dated 3rd November, 2020, Mr. B.A. Nasir, a BS-21 officer of the Police Service of Pakistan has assumed the charge of the post of Senior Joint Secretary (BS-21), Ministry of Railways, Islamabad, with effect from 17th November, 2020.

The current charge appointment of Mr. Waris Ali, against the post of Joint Secretary (BS-20), Ministry of Railways is hereby discontinued forthwith and he will revert back to his original post *i.e.* Director/Administration (BS-19), Ministry of Railways, Islamabad.

**No. Admn-IV/1911-P.**—With immediate effect and until further orders, Mr. Shaiq Zafar Sheikh, a BS-18 officer of Mechanical Engineering Department of Pakistan Railways, presently working as Deputy Director / Mechanical (BS-18), Ministry of Railways is transferred and posted as Deputy Director / A-V (BS-18), Ministry of Railways *vice* Mr. Junaid Saleem Malik who is on MCMC with effect from 1st October, 2020. He will also look-after the duties of DSO to Secretary/ Chairman Railways in addition to his own duties.

This issues with the approval of Secretary / Chairman Railways.

FAHEEM AHMED MALIK,  
Assistant Director / Admn-IV.

---

MINISTRY OF RELIGIOUS AFFAIRS AND INTERFAITH  
HARMONY

[IH WING]

Islamabad, the 30th November, 2020

**No. PF.4(301)/83-Admn-IH.**—On attaining the age of superannuation, Mr. Imdad Ali, Superintendent (BS-17 / Time Scale), Ministry of Religious Affairs and Inter-faith Harmony shall stand retired from Government Service on 20th December, 2020.

The Competent Authority has been pleased to approve grant of leave encashment of 365 days to the officer in lieu of the whole period of LPR and admissible in term of Rule 18(A) of the Revised Leave Rules, 1980, as amended.

SYED IFTIKHAR AHMED,  
Section Officer (Admn.).

---

MINISTRY OF STATES & FRONTIER REGIONS

Islamabad, the 25th November, 2020

**No. F 12(8)Admn/2020.**—In pursuance of Establishment Division's Notification No. F.12(8)/2002-E-3 (Police), dated 3rd November, 2020, Mr. Mansoor-ul-Haq Rana, a BS-19 officer of Police Service of Pakistan, has assumed charge of the post of Deputy Secretary (BS-19), in the Ministry of States & Frontier Regions, with effect from 23rd November, 2020.

MARIA GUL,  
Section Officer (Admn.).

NATIONAL ASSEMBLY SECRETARIAT

Islamabad, the 8th January, 2021

**No. G(457)/Estt.I.(03).**—The Competent Authority *i.e.* Honourable Speaker has been pleased to re-employee Mr. Muhammad Mushtaq, a retired BS-21 officer of this Secretariat, as Additional Secretary (BS-21), in the National Assembly Secretariat under section 17(1) of the National Assembly Secretariat Employees Act, 2018 in anticipation of approval of the Finance Committee, for a period of six months, with effect from 10th January, 2021, on usual terms and conditions.

MUHAMMAD YASEEN SALEEMI,  
Deputy Secretary.

---

SENATE SECRETARIAT

Islamabad, the 31st December, 2020

**No. G(243)/2017-HRM. (195).**—Ms. Sadia Amir, Section Officer (HRM-II) (BPS-17), Senate Secretariat, Islamabad, is granted, subject to title, 26 days leave on full pay, with effect from 3rd December, 2020.

After expiry of the leave, she is likely to resume duty of the same post at Islamabad, on 29th December, 2020.

Islamabad, the 4th January, 2021

**No. G(211)/2013-HRM. (01).**—The Competent Authority has been pleased to terminate the probation period of Mr. Muhammad Javed Iqbal, Deputy Director (LDU) (BPS-18), Senate Secretariat, Islamabad, with effect from 10th July, 2020.

Islamabad, the 5th January, 2021

**No. G(125)/2004-HRM. (02).**—The Competent Authority has been pleased to terminate the probation period of Mr. Muhammad Asad Ullah Khan, Deputy Director (Media) (BPS-18), Senate Secretariat, Islamabad, with effect from 12th September, 2020.

ZAHOOR AHMED,  
Section Officer (HRM-I).

Islamabad, the 7th January, 2021

**No. G(271)/2019-HRM. (02).**—In continuation of the Senate Secretariat's Notification No. G(142)/2006-HRM(364), dated the 29th July, 2020, the competent authority has been pleased to extend the contract appointment of Mr. Adnan Khalid, Accounts Officer (BPS-16) in the Senate Secretariat, Islamabad, for a further period of one year or till the resumption of duty by Mr. Ahsan Ali Sangi, Accounts Officer (BPS-16), whichever is earlier, with effect from 23rd January, 2021

The other terms and conditions of his appointment will be the same as conveyed to him *vide* the Senate Secretariat's Letter No. F.3(3)/2019-HRM, dated the 14th July, 2020.

This issues with the approval of Hon'ble Chairman Senate.

**No. G(277)/2020-HRM (03).**—With the concurrence of Ministry of Industries & Production, Islamabad's Office Memorandum No. F. 2(95)/2013-Admin-II, dated 27th November, 2020, Mir Muzammil Jan, Assistant Protocol Officer (BPS-16), presently on deputation period in the Senate Secretariat, Islamabad, is absorbed permanently as Assistant Protocol Officer (BPS-16), with effect from 30th December, 2020.

He shall be on probation for a period of one year extendable either before or after its termination by a further period not exceeding one year. Provided that if no order has been made by the day following the termination of either of the aforementioned probationary period, appointment shall be deemed to be held until further orders.

This issues with the approval of Chairman Senate.

SADIA AMIR,  
Section Officer (HRM-II).

---

SUPREME COURT OF PAKISTAN

Islamabad, the 5th January, 2021

**No. F.24/893/2019-SCA.**—In continuation of this Court's notifications of even number, dated 11th January, 2019 and 26th December, 2019, the probationary period of Mr. Muhammad Tanveer Haider, Judicial Assistant (BS-16) of this Court is terminated and he is allowed to continue to

officiate as such with effect from 31st December, 2020 till further orders.

This issues with the approval of the competent authority.

Islamabad, the 9th January, 2021

**No. F.24/884/2018-SCA.**—In continuation of this Court's notification of even number, dated 10th January, 2018 Mr. Muhammad Akram Soomro, Senior Auditor of office of the Accountant General Pakistan Revenues, Islamabad, working in this Court as Assistant Accounts Officer (BS-16), on deputation basis, is allowed to continue as such for a further period of two years, with effect from 8th January, 2021.

This issues with the approval of the Hon'ble Chief Justice of Pakistan.

PERVAIZ IQBAL,  
Assistant Registrar (Admn.).

---

FEDERAL SHARIAT COURT

Islamabad, the 22nd December, 2020

**No. F. 1(309)/90-Admn:FSC.**—Mr. Abdul Hameed, Superintendent (B-18) of this Court for granted 3 days leave, with full pay, with effect from 17th December, 2020 to 19th December, 2020, subject to verification by the Audit.

On return from leave he has joined the same post at the same station on 21st December, 2020 (20th December, 2020 being Sunday).

ABDUL HAMEED,  
Superintendent (Admn.).



**PUBLISHED BY AUTHORITY**

**KARACHI, WEDNESDAY, MARCH 3, 2021**

## **PART II**

**Notifications issued by Ministry of Defence and Ministry of Defence Production**

Karachi, the 3rd March, 2021

MINISTRY OF DEFENCE

(Defence Division)

**No. 150/2021:**

Mr. Abdul Fattah Memon, Assistant Incharge (BPS-16) Ministry of Defence has been promoted as Superintendent (BS-16) with effect from 1st January, 2021 with the approval of competent authority on the recommendations of Departmental Promotion Committee-II in its meeting. He will remain on probation for one year which is extendable for another one year.

Mr. Abdul Fattah Memon, has assumed the charge of the post of Superintendent in Defence Division on 1st January, 2021.

[No.2(7)/2019/D-32 (Admin-III)/2020].

**No. 151/2021:**

The following 17 General Officers have been granted substantive promotion of Lieutenant General / Major General with effect from the dates as shown against their names:-

| Ser. | PA No. | Rank     | Rank and Name                      | Arms   | Due Date for Subs Prom. |
|------|--------|----------|------------------------------------|--------|-------------------------|
| 1.   | 25031  | Lt. Gen. | Syed Asim Munir Ahmad Shah, HI (M) | FF     | 27th Nov. 20            |
| 2.   | 25830  | Lt. Gen. | Mr. Nadeem Zaki Manj, HI (M)       | AC     | 19th Oct. 20            |
| 3.   | 25839  | Lt. Gen. | Mr. Shaheen Mazher Mehmood, HI (M) | AC     | 5th Nov. 20             |
| 4.   | 25847  | Lt. Gen. | Mr. Muhammad Abdul Aziz, HI (M)    | Arty   | 20th Oct. 20            |
| 5.   | 26451  | Lt. Gen. | Syed Muhammad Adnan, HI (M)        | Punjab | 12th Oct. 20            |

| Ser. | PA No. | Rank      | Rank and Name                      | Arms   | Due Date for Subs Prom. |
|------|--------|-----------|------------------------------------|--------|-------------------------|
| 6.   | 26455  | Lt. Gen.  | Mr. Muhammad Waseem Ashraf, HI (M) | FF     | 19th Nov. 20            |
| 7.   | 26822  | Maj. Gen. | Syed Najeeb Ahmad, HI (M)          | Avn.   | 5th Oct. 20             |
| 8.   | 28121  | Maj. Gen. | Mr. Adnan Asif Jah Shad, HI (M)    | FF     | 15th Nov. 20            |
| 9.   | 28297  | Maj. Gen. | Kamran Khurshid, HI (M)            | CMI    | 10th Oct. 20            |
| 10.  | 28493  | Maj. Gen. | Ehsan Mehmood Khan, HI (M)         | Punjab | 11th Oct. 20            |
| 11.  | 28506  | Maj. Gen. | Mr. Muhammad Yousaf Majoka, HI (M) | AK     | 16th Oct. 20            |
| 12.  | 29161  | Maj. Gen. | Mr. Muhammad Zahid Khan, HI (M)    | FF     | 9th Nov. 20             |
| 13.  | 29225  | Maj. Gen. | Mr. Babar Iftikhar, HI(M)          | AC     | 23rd Oct. 20            |
| 14.  | 29513  | Maj. Gen. | Mr. Asad Nawaz Khan                | Sindh  | 2nd Oct. 20             |
| 15.  | 29518  | Maj. Gen. | Mr. Irfan Ahmed Malik              | Arty   | 26th Oct. 20            |
| 16.  | 29520  | Maj. Gen. | Mr. Raza Ali Khan                  | Arty   | 31st Oct. 20            |
| 17.  | 29545  | Maj. Gen. | Mr. Tahir Hameed Shah              | Arty   | 5th Oct. 20             |

[No.3/2/D-2 (A-II)/2019].

**No. 152/2021:**

The following 25 General Officers have been granted substantive promotion of Lieutenant General / Major General with effect from the dates as shown against thier names:-

| Ser. | PA No. | Rank      | Rank and Name                   | Arms   | Due Date for Subs Prom. |
|------|--------|-----------|---------------------------------|--------|-------------------------|
| 1.   | 24491  | Lt. Gen.  | Mr. Moazzam Ejaz, HI(M)         | Engrs. | 8th Aug. 20             |
| 2.   | 27652  | Maj. Gen. | Mr. Hassan Akhtar Kayani, HI(M) | EME    | 3rd Aug. 20             |
| 3.   | 28228  | Maj. Gen. | Mr. Muhammad Asim Iqbal, HI(M)  | ASC    | 21st Jul. 20            |
| 4.   | 28772  | Maj. Gen. | Mr. Muhammad Zafar Iqbal, HI(M) | AD     | 24th Aug. 20            |



| Ser. | PA No. | Rank      | Rank and Name                               | Arms     | Due Date for Subs Prom. |
|------|--------|-----------|---|----------|-------------------------|
| 5.   | 29056  | Maj. Gen. | Mr. Muhammad Ayub Ahsan Bhatti, HI(M)       | EME      | 2nd Aug. 20             |
| 6.   | 29163  | Maj. Gen. | Mr. Ghulam Jafar, HI(M)                     | FF       | 3rd Sep. 20             |
| 7.   | 29170  | Maj. Gen. | Mr. Muhammad Munir Afsar, HI(M)             | Punjab   | 27th Jul. 20            |
| 8.   | 29190  | Maj. Gen. | Mr. Irfan Arshad, HI(M)                     | Arty     | 31st Aug. 20            |
| 9.   | 29240  | Maj. Gen. | Mr. Yusuf Jamal, HI(M)                      | FF       | 2nd Aug. 20             |
| 10.  | 29365  | Maj. Gen. | Mr. Kashif Nazir, HI(M)                     | Engrs.   | 1st Aug. 20             |
| 11.  | 29511  | Maj. Gen. | Mr. Muhammad Shahbaz Khan, HI(M)            | Arty     | 14th Aug. 20            |
| 12.  | 29514  | Maj. Gen. | Mr. Rahat Naseem Ahmed Khan                 | FF       | 20th Aug. 20            |
| 13.  | 29522  | Maj. Gen. | Mr. Mumtaz Hussain, T Bt.                   | Punjab   | 1st Aug. 20             |
| 14.  | 29538  | Maj. Gen. | Mr. Khurram Sarfraz Khan                    | Baloch   | 25th Sep. 20            |
| 15.  | 29543  | Maj. Gen. | Mr. Nayyar Naseer                           | Punjab   | 9th Jul. 20             |
| 16.  | 29558  | Maj. Gen. | Mr. Zahid Sarwar Malik                      | AD       | 28th Sep. 20            |
| 17.  | 29580  | Maj. Gen. | Mr. Amer Ahsan Nawaz                        | Baloch   | 14th Sep. 20            |
| 18.  | 102019 | Maj. Gen. | Mrs. Shehla M. Baqai, HI(M)                 | AMC Spec | 16th Jul. 20            |
| 19.  | 102026 | Maj. Gen. | Mr. Wasim Alamgir, HI(M)                    | AMC Spec | 16th Jul. 20            |
| 20.  | 102042 | Maj. Gen. | Mr. Muhammad Asad Qureshi, HI(M)            | AMC Spec | 16th Jul. 20            |
| 21.  | 102076 | Maj. Gen. | Mr. Rasikh Maqsood, HI(M)                   | AMC Spec | 16th Jul. 20            |
| 22.  | 102132 | Maj. Gen. | Syed Raza Jaffar, HI(M)                     | AMC Spec | 16th Jul. 20            |
| 23.  | 102150 | Maj. Gen. | Mr. Khurshid Muhammad Uttra, HI(M)          | AMC Spec | 3rd Sep. 20             |
| 24.  | 102219 | Maj. Gen. | Mr. Muhammad Salman Ashraf, SI(M)           | HCA      | 30th Jul. 20            |
| 25.  | 102360 | Maj. Gen. | Chaudhary Muhammad Qamar ul Haq Noor, TI(M) | HCA      | 30th Jul. 20            |

**No. 153/2021:**

The following 56 Officers have been granted substantive promotion of Brigadier with effect from the dates as shown against their names:-

| Ser. | PA No. | Rank  | Name                            | Arms     | Due Date for Subs Prom. |
|------|--------|-------|---------------------------------|----------|-------------------------|
| 1.   | 102256 | Brig. | Mr. Asad Shameem                | AMC Spec | 25th Oct. 20            |
| 2.   | 102298 | Brig. | Mr. Farhan Akhtar               | AMC Spec | 26th Jul. 20            |
| 3.   | 102335 | Brig. | Mr. Amjad Akram                 | AMC Spec | 26th Jul. 20            |
| 4.   | 102414 | Brig. | Mr. Nadeem Afzal                | AMC Spec | 26th Jul. 20            |
| 5.   | 102484 | Brig. | Mr. Asem Hameed                 | AMC Spec | 26th Jul. 20            |
| 6.   | 102486 | Brig. | Mr. Hamid Saeed Malik           | AMC Spec | 13th Aug. 20            |
| 7.   | 102530 | Brig. | Mrs. Nasira Shaheen             | AMC Spec | 26th Jul. 20            |
| 8.   | 102536 | Brig. | Mrs. Rubina Mushtaq             | AMC Spec | 28th Aug. 20            |
| 9.   | 102544 | Brig. | Mrs. Farhat Karim               | AMC Spec | 3rd Aug. 20             |
| 10.  | 102559 | Brig. | Mrs. Rahat Shahid               | AMC Spec | 26th Jul. 20            |
| 11.  | 102570 | Brig. | Mr. Muhammad Saqib              | AMC Spec | 26th Jul. 20            |
| 12.  | 102573 | Brig. | Mr. Saquib Naeem                | AMC Spec | 26th Jul. 20            |
| 13.  | 102579 | Brig. | Mrs. Humaira Tabassum           | AMC Spec | 31st Aug. 20            |
| 14.  | 102612 | Brig. | Mr. Fuad Ahmad Siddiqi          | AMC Spec | 10th Nov. 20            |
| 15.  | 102644 | Brig. | Chaudhry Muhammad Tariq Munawar | AMC Spec | 26th Jul. 20            |
| 16.  | 102713 | Brig. | Mr. Ahmad Ali Khan              | AMC Spec | 27th Aug. 20            |
| 17.  | 102734 | Brig. | Syed Mukarram Hussain           | AMC Spec | 3rd Aug. 20             |
| 18.  | 102516 | Brig. | Mr. Muhammad Abdul Naeem        | AMC Spec | 26th Jul. 20            |

| Ser. | PA No. | Rank  | Name                     | Arms     | Due Date for Subs Prom. |
|------|--------|-------|--------------------------|----------|-------------------------|
| 19.  | 102518 | Brig. | Mr. Shizan Hamid Feroz   | AMC Spec | 15th Oct. 20            |
| 20.  | 102760 | Brig. | Mr. Asim Niaz Naqvi      | AMC Spec | 3rd Aug. 20             |
| 21.  | 102764 | Brig. | Mr. Jawad Jalil          | AMC Spec | 30th Jul. 20            |
| 22.  | 102766 | Brig. | Mr. Muhammad Rashid      | AMC Spec | 13th Aug. 20            |
| 23.  | 102778 | Brig. | Mr. Maqbool Raza         | AMC Spec | 30th Jul. 20            |
| 24.  | 102780 | Brig. | Mr. Rizwan Yusuf         | AMC Spec | 9th Aug. 20             |
| 25.  | 102783 | Brig. | Mr. Khurram Akhtar       | AMC Spec | 3rd Aug. 20             |
| 26.  | 102786 | Brig. | Mr. Shahzad Rauf         | AMC Spec | 13th Aug. 20            |
| 27.  | 102803 | Brig. | Mr. Muhammad Khan        | AMC Spec | 26th Jul. 20            |
| 28.  | 102805 | Brig. | Mr. Tariq Mahmood        | AMC Spec | 1st Oct. 20             |
| 29.  | 102829 | Brig. | Mr. Imran Ashraf         | AMC Spec | 30th Jul. 20            |
| 30.  | 102934 | Brig. | Syed Anees Ahmed Gardezi | AMC Spec | 1st Aug. 20             |
| 31.  | 102942 | Brig. | Mr. Fayyaz Hussain       | AMC Spec | 26th Jul. 20            |
| 32.  | 102953 | Brig. | Mr. Abdul Hakim          | AMC Spec | 9th Aug. 20             |
| 33.  | 102958 | Brig. | Mr. Nasir Ali            | AMC Spec | 3rd Aug. 20             |
| 34.  | 102962 | Brig. | Syed Naveed Mumtaz       | AMC Spec | 26th Jul. 20            |
| 35.  | 102724 | Brig. | Mr. Muhammad Ikram       | HCA      | 1st Aug. 20             |
| 36.  | 102767 | Brig. | Mrs. Gulnaz Ahmad        | HCA      | 2nd Aug. 20             |
| 37.  | 102826 | Brig. | Mr. Imtiaz Alam Shah     | HCA      | 16th Jul. 20            |
| 38.  | 102871 | Brig. | Mrs. Iram Lehasab        | HCA      | 6th Aug. 20             |

| Ser. | PA No. | Rank  | Name                       | Arms | Due Date for Subs Prom. |
|------|--------|-------|----------------------------|------|-------------------------|
| 39.  | 102898 | Brig. | Mr. Muhammad Asif Aziz     | HCA  | 1st Oct. 20             |
| 40.  | 102916 | Brig. | Mr. Ayaz Rasul             | HCA  | 16th Jul. 20            |
| 41.  | 102919 | Brig. | Mr. Tufail Ahmad           | HCA  | 31st Aug. 20            |
| 42.  | 102923 | Brig. | Mr. Zulqarnain Ashraf Raja | HCA  | 1st Aug. 20             |
| 43.  | 102924 | Brig. | Mr. Muhammad Fayyaz Malik  | HCA  | 11th Aug. 20            |
| 44.  | 102936 | Brig. | Mr. Najmusaqib Khan Niazi  | HCA  | 1st Sep. 20             |
| 45.  | 102944 | Brig. | Mr. Wazir Ahmed            | HCA  | 17th Sep. 20            |
| 46.  | 102950 | Brig. | Mr. Muhammad Akbar         | HCA  | 27th Aug. 20            |
| 47.  | 102964 | Brig. | Mr. Aftab Ahmed            | HCA  | 29th Oct. 20            |
| 48.  | 102975 | Brig. | Mr. Naseer Ahmed           | HCA  | 6th Aug. 20             |
| 49.  | 102977 | Brig. | Abid Hussain Shah          | HCA  | 12th Sep. 20            |
| 50.  | 102987 | Brig. | Mr. Irfan Khan             | HCA  | 27th Sep. 20            |
| 51.  | 102993 | Brig. | Mr. Rizwan Sadiq           | HCA  | 15th Sep. 20            |
| 52.  | 102996 | Brig. | Mr. Ijaz Ahmad             | HCA  | 1st Aug. 20             |
| 53.  | 114577 | Brig. | Mr. Babar Pasha            | ADC  | 31st Aug. 20            |
| 54.  | 114598 | Brig. | Mr. Azhar Ali              | ADC  | 2nd Jul. 20             |
| 55.  | 114601 | Brig. | Mr. Mahmood Ahmad          | ADC  | 2nd Jul. 20             |
| 56.  | 114603 | Brig. | Mr. Ali Akhtar Khan        | ADC  | 2nd Jul. 20             |

**No. 154/2021:**

The following 113 Officers have been granted substantive promotion of Col. with effect from the dates as shown against thier names:-

| Ser. | PA No. | Rank                | Name                               | Arm      | Due Date for Subs Prom. |
|------|--------|---------------------|------------------------------------|----------|-------------------------|
| 1.   | 102647 | Col.                | Mr. Naveed Hussain Syed            | AMC Spec | 27th Aug. 20            |
| 2.   | 102775 | Col.                | Mr. Mansoor Dilnawaz               | AMC Spec | 27th Aug. 20            |
| 3.   | 102863 | Col.                | Mr. Sohail Shahzad                 | AMC Spec | 11th Sep. 20            |
| 4.   | 102866 | Col.                | Mr. Shahzad Ashraf, TI (M)         | AMC Spec | 26th Jul. 20            |
| 5.   | 102884 | Col.                | Mrs. Shabnam Naseer Awan           | AMC Spec | 3rd Aug. 20             |
| 6.   | 102897 | Col.                | Mr. Mujahid Zulfiqar Ali           | AMC Spec | 3rd Aug. 20             |
| 7.   | 102900 | Col.<br>(Now Brig.) | Mr. Muhammad Faheem ur Rehman Khan | AMC Spec | 12th March. 20          |
| 8.   | 102910 | Col.                | Mr. Nisar Ahmed                    | AMC Spec | 27th Jul. 20            |
| 9.   | 102917 | Col.                | Mr. Iftikhar Ahmed                 | AMC Spec | 7th Aug. 20             |
| 10.  | 102946 | Col.                | Mr. Nayyar Ahmed                   | AMC Spec | 8th Oct. 20             |
| 11.  | 103004 | Col.                | Mr. Mazhar Shafiq, TI (M)          | AMC Spec | 26th Jul. 20            |
| 12.  | 103007 | Col.                | Abid Aftab                         | AMC Spec | 26th Jul. 20            |
| 13.  | 103163 | Col.                | Mrs. Faiqa Chughtai                | AMC Spec | 6th Aug. 20             |
| 14.  | 103167 | Col.                | Mrs. Asma Ansari                   | AMC Spec | 3rd Aug. 20             |
| 15.  | 103169 | Col.                | Mr. Mahmood Ahmad                  | AMC Spec | 26th Jul. 20            |
| 16.  | 103173 | Col.                | Mr. Zaheer ul Hassan               | AMC Spec | 30th Jul. 20            |
| 17.  | 103180 | Col.                | Mr. Muhammad Qaiser Alam Khan      | AMC Spec | 26th Jul. 20            |
| 18.  | 103181 | Col.                | Mr. Muhammad Akhtar                | AMC Spec | 26th Jul. 20            |

| Ser. | PA No. | Rank | Name                        | Arm      | Due Date for Subs Prom. |
|------|--------|------|-----------------------------|----------|-------------------------|
| 19.  | 103191 | Col. | Syed Muhammad Akram Hamdani | AMC Spec | 12th Sep. 20            |
| 20.  | 103197 | Col. | Chaudhry Amjad Ali          | AMC Spec | 26th Jul. 20            |
| 21.  | 103198 | Col. | Mr. Muhammad Hafeez         | AMC Spec | 3rd Aug. 20             |
| 22.  | 103204 | Col. | Mr. Tahir Iqbal             | AMC Spec | 25th Oct. 20            |
| 23.  | 103208 | Col. | Mrs. Zujaja Hina Haroon     | AMC Spec | 31st Aug. 20            |
| 24.  | 103215 | Col. | Mrs. Asma Razzaq            | AMC Spec | 12th Aug. 20            |
| 25.  | 103216 | Col. | Mrs. Saira Saeed            | AMC Spec | 6th Aug. 20             |
| 26.  | 103217 | Col. | Mrs. Mobeen Shafique        | AMC Spec | 27th Jul. 20            |
| 27.  | 103220 | Col. | Mr. Qamar ul Islam          | AMC Spec | 1st Oct. 20             |
| 28.  | 103226 | Col. | Mr. Kamran Zamurrad Malik   | AMC Spec | 26th Jul. 20            |
| 29.  | 103233 | Col. | Mr. Ashfaq Altaf            | AMC Spec | 3rd Aug. 20             |
| 30.  | 103236 | Col. | Malik Nadeem Azam Khan      | AMC Spec | 6th Aug. 20             |
| 31.  | 103239 | Col. | Mr. Imtiaz Ahmed Chaudhry   | AMC Spec | 3rd Aug. 20             |
| 32.  | 103242 | Col. | Mr. Muhammad Imran Asghar   | AMC Spec | 3rd Aug. 20             |
| 33.  | 103243 | Col. | Syed Taqi Hasan Zaidi       | AMC Spec | 26th Jul. 20            |
| 34.  | 103245 | Col. | Mr. Muhammad Soaib Khan     | AMC Spec | 30th Jul. 20            |
| 35.  | 103248 | Col. | Mr. Maqsood Ahmad           | AMC Spec | 26th Jul. 20            |
| 36.  | 103251 | Col. | Mr. Muhammad Jalil          | AMC Spec | 26th Jul. 20            |
| 37.  | 103258 | Col. | Mrs. Noreen Akhtar          | AMC Spec | 26th Jul. 20            |
| 38.  | 103262 | Col. | Mr. Ahmad Ud Din Nasir      | AMC Spec | 30th Jul. 20            |

| Ser. | PA No. | Rank | Name                         | Arm      | Due Date for Subs Prom. |
|------|--------|------|------------------------------|----------|-------------------------|
| 39.  | 103266 | Col. | Mr. Asim Ishfaq              | AMC Spec | 3rd Aug. 20             |
| 40.  | 103267 | Col. | Mr. Tariq Ghafoor            | AMC Spec | 3rd Aug. 20             |
| 41.  | 103270 | Col. | Mr. Faisal Naveed Akhtar     | AMC Spec | 28th Jul. 20            |
| 42.  | 103274 | Col. | Mr. Amir Rashid              | AMC Spec | 30th Jul. 20            |
| 43.  | 103275 | Col. | Mr. Khalid Mahmood           | AMC Spec | 27th Jul. 20            |
| 44.  | 103276 | Col. | Syed Abid Hassan             | AMC Spec | 30th Jul. 20            |
| 45.  | 103277 | Col. | Mr. Usman Rafique            | AMC Spec | 26th Jul. 20            |
| 46.  | 103289 | Col. | Mr. Muhammad Ilyas           | AMC Spec | 30th Jul. 20            |
| 47.  | 103294 | Col. | Mr. Muhammad Alamgir Khan    | AMC Spec | 30th Jul. 20            |
| 48.  | 103296 | Col. | Mr. Ahmad Mujadid Khan Burki | AMC Spec | 24th Sep. 20            |
| 49.  | 103317 | Col. | Mr. Vaqar Ilani Paracha      | AMC Spec | 3rd Aug. 20             |
| 50.  | 103327 | Col. | Mr. Aamer Nadeem             | AMC Spec | 17th Sep. 20            |
| 51.  | 103333 | Col. | Mr. Asif Nadeem              | AMC Spec | 3rd Aug. 20             |
| 52.  | 103334 | Col. | Mr. Liaquat Ali              | AMC Spec | 1st Sep. 20             |
| 53.  | 103336 | Col. | Mr. Muhammad Babar Khan      | AMC Spec | 14th Aug. 20            |
| 54.  | 103413 | Col. | Mr. Zaki Hussain             | AMC Spec | 30th Jul. 20            |
| 55.  | 103416 | Col. | Mr. Hussain Ahmad            | AMC Spec | 28th Aug. 20            |
| 56.  | 103417 | Col. | Mr. Saeed Ullah              | AMC Spec | 30th Jul. 20            |
| 57.  | 103421 | Col. | Mr. Farhan Akbar             | AMC Spec | 30th Jul. 20            |
| 58.  | 103426 | Col. | Mr. Shahid Farooq            | AMC Spec | 6th Aug. 20             |

| Ser. | PA No. | Rank                | Name                              | Arm      | Due Date for Subs Prom. |
|------|--------|---------------------|-----------------------------------|----------|-------------------------|
| 59.  | 103433 | Col.                | Mr. Muhammad Saeed Akhter         | AMC Spec | 26th Jul. 20            |
| 60.  | 103443 | Col.                | Mrs. Azra Ahmad Shamsi            | AMC Spec | 3rd Aug. 20             |
| 61.  | 103448 | Col.                | Mrs. Munawar Jannat Rana          | AMC Spec | 3rd Aug. 20             |
| 62.  | 103454 | Col.                | Mrs. Ayesha Imran                 | AMC Spec | 3rd Aug. 20             |
| 63.  | 102842 | Col.                | Mr. Zafar Ullah Khan              | AMC Spec | 26th Jul. 20            |
| 64.  | 102851 | Col.                | Mr. Naeem Haider                  | AMC Spec | 26th Jul. 20            |
| 65.  | 102833 | Col.                | Mrs. Darakhshanda Nadeem          | HCA      | 1st Aug. 20             |
| 66.  | 102940 | Col.                | Mr. Muhammad Ashraf, TI (M)       | HCA      | 26th Feb. 20            |
| 67.  | 102979 | Col.                | Mr. Sana Ullah, TI (M).           | HCA      | 1st Aug. 20             |
| 68.  | 103012 | Col.                | Mr. Amir Arshad                   | HCA      | 1st Mar. 20             |
| 69.  | 103018 | Col.<br>(Now Brig.) | Mr. Muhammad Zaman                | HCA      | 10th Aug. 20            |
| 70.  | 103041 | Col.<br>(Now Brig.) | Mr. Abdul Rauf Ahmad              | HCA      | 1st Aug. 20             |
| 71.  | 103055 | Col.                | Mr. Safi Ullah                    | HCA      | 1st Aug. 20             |
| 72.  | 103116 | Col.                | Mr. Qamar Husnain Khan Sial       | HCA      | 14th Sep. 20            |
| 73.  | 103135 | Col.                | Mr. Muhammad Awais Asghar, TI (M) | HCA      | 15th Aug. 20            |
| 74.  | 103157 | Col.                | Mrs. Zamurrad Shaheen             | HCA      | 28th Dec. 20            |
| 75.  | 103168 | Col.<br>(Now Brig.) | Mr. Muhammad Tariq                | HCA      | 26th Jul. 20            |
| 76.  | 103190 | Col.                | Mr. Naeem Manzoor                 | HCA      | 28th Jul. 20            |
| 77.  | 103207 | Col.<br>(Now Brig.) | Mr. Muhammad Farid                | HCA      | 12th Jul. 20            |
| 78.  | 103232 | Col.                | Mr. Muhammad Tanvir Ahmad Qureshi | HCA      | 23rd Jul. 20            |



| Ser. | PA No. | Rank | Name                        | Arm | Due Date for Subs Prom. |
|------|--------|------|-----------------------------|-----|-------------------------|
| 79.  | 103241 | Col. | Syeda Shazia Musawir        | HCA | 2nd Aug. 20             |
| 80.  | 103256 | Col. | Mr. Muhammad Viqar Izhar    | HCA | 13th Sep. 20            |
| 81.  | 103261 | Col. | Syed Tahawwar Mujtaba Kazmi | HCA | 9th Jul. 20             |
| 82.  | 103280 | Col. | Rukhsana Kousar             | HCA | 19th Jul. 20            |
| 83.  | 103281 | Col. | Mr. Sana Ullah              | HCA | 14th Aug. 20            |
| 84.  | 103284 | Col. | Mr. Muhammad Younis         | HCA | 5th Jul. 20             |
| 85.  | 103285 | Col. | Mr. Sajid Hussain Turabi    | HCA | 14th Sep. 20            |
| 86.  | 103290 | Col. | Mr. Arif Ali                | HCA | 19th Sep. 20            |
| 87.  | 103307 | Col. | Mr. Muhammad Maqsood Shafi  | HCA | 15th Aug. 20            |
| 88.  | 103309 | Col. | Mr. Farooq Butt             | HCA | 10th Jul. 20            |
| 89.  | 103312 | Col. | Mr. Abid Javed              | HCA | 29th Aug. 20            |
| 90.  | 103313 | Col. | Mr. Aamir Jawad             | HCA | 6th Jul. 20             |
| 91.  | 103320 | Col. | Mr. Laeeq ur Rehman         | HCA | 18th Oct. 20            |
| 92.  | 103323 | Col. | Mr. Aamer Reza Tippu        | HCA | 3rd Sep. 20             |
| 93.  | 103325 | Col. | S. M. Waseem Wasti          | HCA | 29th Sep. 20            |
| 94.  | 103326 | Col. | Mr. Sajid Anwar Awan        | HCA | 18th Sep. 20            |
| 95.  | 103332 | Col. | Mr. Yar Muhammad Khan       | HCA | 20th Sep. 20            |
| 96.  | 103335 | Col. | Mr. Muhammad Aslam Channa   | HCA | 20th Aug. 20            |
| 97.  | 103414 | Col. | Mr. Azhar Hayat             | HCA | 13th Sep. 20            |
| 98.  | 103422 | Col. | Mr. Zulfiqar Ali Khan       | HCA | 27th Aug. 20            |

| Ser. | PA No. | Rank | Name                 | Arm | Due Date for Subs Prom. |
|------|--------|------|----------------------|-----|-------------------------|
| 99.  | 103424 | Col. | Mr. Zafar Ahmed      | HCA | 6th Aug. 20             |
| 100. | 103428 | Col. | Mr. Arshad Tanveer   | HCA | 11th Jul. 20            |
| 101. | 103435 | Col. | Mr. Arshad Mahmood   | HCA | 3rd Sep. 20             |
| 102. | 103444 | Col. | Mrs. Nadia Ozair     | HCA | 13th Jul. 20            |
| 103. | 103449 | Col. | Mrs. Riffat Sultana  | HCA | 12th Jul. 20            |
| 104. | 103452 | Col. | Mrs. Fatima Saeed    | HCA | 20th Jul. 20            |
| 105. | 103453 | Col. | Farah Nazar          | HCA | 27th Jul. 20            |
| 106. | 103456 | Col. | Mrs. Huma Nasir      | HCA | 13th Jul. 20            |
| 107. | 103457 | Col. | Mrs. Aneeqa Waseem   | HCA | 19th Jul. 20            |
| 108. | 103459 | Col. | Mrs. Taqdees Fatima  | HCA | 16th Jul. 20            |
| 109. | 114609 | Col. | Fazli Rabbi          | ADC | 6th Jul. 20             |
| 110. | 114612 | Col. | Syed Safdar Raza     | ADC | 2nd Jul. 20             |
| 111. | 114613 | Col. | Mr. Amjad Ali        | ADC | 6th Aug. 20             |
| 112. | 114616 | Col. | Mr. Shafi Ullah Khan | ADC | 2nd Jul. 20             |
| 113. | 114620 | Col. | Mr. Saif UI Islam    | ADC | 29th Aug. 20            |

[No.3/4/D-2 (A-II)/2019].

MIAN MUHAMMAD HILAL HUSSAIN,  
 HI (M) Lt. Gen. (Retd.),  
 Secretary.



# The Gazette of Pakistan

PUBLISHED BY AUTHORITY

KARACHI, WEDNESDAY, MARCH 3, 2021

## PART III

Notifications issued by the High Courts, the Federal Public Service Commission and by the Attached and Subordinate Offices of the Government of Pakistan

APPELLATE TRIBUNAL INLAND REVENUE

(Headquarters)

Islamabad, the 21st December, 2020

**No. F.1-ATP/HQ/(Ad)/2020.**—Mr. Abid Raza, Senior Private Secretary (BS-19) Appellate Tribunal Inland Revenue, Bench-III, Karachi has been granted 15 days leave on full pay with effect from 26th October, 2020 to 9th November, 2020, on medical grounds.

Mr. Abid Raza has relinquished the charge of the post of Senior Private Secretary (BS-19) Appellate Tribunal Inland Revenue, Bench-III, Karachi, on 23rd October, 2020 (A.N).

After expiry of leave, Mr. Abid Raza has assumed the charge of the post of Senior Private Secretary (BS-19) Appellate Tribunal Inland Revenue, Bench-III, Karachi, on 10th November, 2020 (F.N).

Islamabad, the 23rd December, 2020

**No. F.1-ATP/HQ/(Ad)/2020.**—Syed Iqbal Ali, Deputy Registrar (BS-18), Appellate Tribunal Inland Revenue, Karachi has been granted 19 days leave on full pay with effect from 2nd November, 2020 to 20th November, 2020 with permission to prefix/suffix public holidays.

Syed Iqbal Ali has relinquished the charge of the post of Deputy Registrar (BS-18) Appellate Tribunal Inland Revenue, Karachi, on 30th October, 2020 (afternoon).

After expiry of leave Syed Iqbal Ali has assumed the charge of the post of Deputy Registrar (BS-18), Appellate Tribunal Inland Revenue, Karachi, on 23rd November, 2020 (forenoon).

ABDUL RASHEED UJJAN,  
Assistant Registrar (Admn).

CENTRAL DIRECTORATE OF NATIONAL SAVINGS

Islamabad, the 2nd December, 2020

**No. F.7(2)Admn-II/C.C/2007-III.**—In exercise of the powers delegated to the Head of the Department *vide* Establishment Division's O.M. No. 1/21/76-AR-R-II, dated 18th June, 1980, Director General, Central Directorate of National Savings (CDNS), Islamabad has been pleased to appoint Mr. Ghulam Mustafa, Assistant Director (BS-18), RDNS, Lahore, as Joint Director (BS-19), RDNS, Lahore, on current charge basis, with immediate effect, till his retirement on 14th January, 2021 or appointment of Joint Director, on regular basis, whichever is earlier.

He will draw pay in his own scale as BS-18 officer *plus* additional pay equal to 20% of his scale of pay subject to a maximum of Rs. 12,000/- per month, in terms of FR-35 and provision to section 17 of the Civil Servants Act, 1973 read with Finance Division's O.M. No. F.1(2)Imp/2016-333 dated 1st July, 2016.

Islamabad, the 7th December, 2020

**No. F.1(3)Admn-II/96-IV.**—Mr. Tahir Rafique Bajwa, Assistant Director (BS-18), Regional Directorate of National Savings, Lahore shall stand retired from Government Service on 30th June, 2021, on attaining the age of superannuation (being date of birth as 1st July, 1961).

In terms of Section 18-A (I) of the Revised Leave Rules 1980, read with Finance Division's SRO. No. 70(KE)/2012 dated 29th August, 2012 and O.M. dated 28th January, 2013, the competent authority has also approved 365 days leave encashment in lieu of LPR in respect of above named officer. Leave pay for the purpose of encashment of LPR shall be computed on the basis of pay and allowances reckonable towards pension as shown in his last pay certificate.

**No. F.4(55)Admn-I/88.**—Syed Amjad Ali Shah, National Savings Officer (BS-17), Regional Directorate of National Savings, Lahore shall stand retired from Government Service on 31st May, 2021, on attaining the age of superannuation (being date of birth as 1st June, 1961).

In terms of Section 18-A (I) of the Revised Leave Rules 1980, read with Finance Division's SRO No. 70(KE)/2012 dated 29th August, 2012, O.M dated 28th January, 2013 the competent authority has also approved 365 days leave encashment in lieu of LPR in respect of above named officer. Leave pay for the purpose of encashment of LPR shall be computed on the basis of pay and allowances reckonable towards pension as shown in his last pay certificate,

ASIM MUSHTAQ,  
Assistant Director (HR-II).

Islamabad, the 8th December, 2020

**No. F.26(1)Admn-I/2019.**—In exercise of the powers delegated to the Head of the Department *vide* Establishment Division's O.M. No. 1/21/76-AR-R-II, dated 18th June, 1980, Director General, National Savings, has been pleased to appoint Mr. Shah Jahan, Assistant National Savings Officer (BS-14), Regional Directorate of National Savings, Gujranwala, against the vacant post of National Savings Officer (BS-17), on Current Charge basis, with immediate effect, till retirement on superannuation or posting of National Savings Officer on regular basis, whichever is earlier.

He will draw pay in his own scale as BS-14 officer *plus* additional pay equal to 20% of his scale of pay subject to a maximum of Rs. 12000/- per month in terms of FR-35 and provision to section 17 of the Civil Servants Act, 1973 read with Finance Division's O.M. No. F.1(3)Imp/2017-500, dated 3rd July, 2017.

MADIHA TAHIR,  
National Savings Officer (HR).

DIRECTORATE GENERAL CIVIL DEFENCE

Islamabad, the 15th December, 2020

**No. 1/6/2009-Admn.**—Consequent upon approval of the competent authority Mr. Sohail Ahmed, Deputy Assistant Director (BS-16), Directorate General Civil Defence, Islamabad has been granted 11 days leave on full pay with effect from 14th December, 2020 to 24th December, 2020.

After expiry of leave he will resume duty of the same post at the same station.

MUHAMMAD TAHIR SHAH,  
Assistant Director (A&C).

DIRECTORATE GENERAL OF SPECIAL EDUCATION

Islamabad, the 4th December, 2020

**No. PF.2-2/99-A-II.**—With immediate effect and until further orders, the following postings/transfers are made under the DGSE, Islamabad:-

| S. No. | Name of Officers                            | From  | To   |
|--------|---|---|--|
| 1.     | Dr. Irfan Ahmed, Sr. Audiologist (BS-18)    | Deputy Director (BPS-18), Incharge, NTCSP, Islamabad. | Deputy Director, (BS-18), NISE, Islamabad.   |
| 2.     | Dr. Ahmed Nadeem, Deputy Director (BS-18)   | Deputy Director, (BPS-18) (Admn), Islamabad.          | Deputy Director (BS-18), NISE, Islamabad.  |
| 3.     | Mr. Zulfiqar Ahmad, Deputy Director (BS-18) | Deputy Director (BS-18) (Coord), DGSE, Islamabad.     | Deputy Director (BS-18) Incharge, NTCSP, Islamabad.                                    |
| 4.     | Dr. Waseem Akhtar, Deputy Director (BS-18)  | Deputy Director (BS-18), NSEC for HIC, Islamabad.     | Deputy Director, (BS-18) DGSE, Islamabad.  |
| 5.     | Mrs. Firdous Begum, Deputy Director (BS-18) | Sr. Mobility Instructor, (BS-18), NM&ITC, Islamabad.  | Deputy Director (BS-18), NISE, Islamabad. She will also look after the work of NM&ITC. |
| 6.     | Dr. Samina Ibrahim, Deputy Director (BS-18) | Audiologist (BS-18), NSEC for HIC, Islamabad.         | Deputy Director (BS-18), NSEC for HIC (Girls Wing), Islamabad.                         |
| 7.     | Mr. Islam Raziq, Deputy Director (BS-18).   | Physiotherapist (BPS-18) NSEC for PHC, Islamabad.     | Deputy Director (BPS-18) NSEC for PHC, Islamabad.                                      |

2. The above mentioned officers are directed to report for duty to their new place of posting immediately.

3. This issues with the approval of the Director General (SE), Islamabad.

Islamabad, the 10th December, 2020

**No. F.2-2/99-A-II.**—In pursuance of DGSE's promotion Notification No. F.2-24/92-A-IV dated 1st December, 2020 and posting notification No.F. dated 4th December, 2020,

the following four officers relinquished and assumed the charge as per detail given below:-

| S. No. | Name of Officers                            | Charge relinquishment  | Charge assumption  |
|--------|---|--|--|
| 1.     | Dr. Waseem Akhtar Deputy Director (BS-18)   | Audiologist (BS-18) NSEC for HIC, Islamabad on 04/12/2020.         | On promotion as Deputy Director, (BS-18), DGSE, on 04/12/2020.                               |
| 2.     | Mrs. Firdous Begum, Deputy Director (BS-18) | Sr. Mobility Instructor, (BS-18), NM&ITC, Islamabad on 04/12/2020. | On promotion as Deputy Director, (BS-18), NISE, Islamabad on 04/12/2020.                     |
| 3.     | Dr. Samina Ibrahim, Deputy Director (BS-18) | Audiologist, (BS-18), NSEC for HIC, Islamabad on 04/12/2020.       | On promotion as Deputy Director, (BS-18) NSEC for HIC (Girls Wing), Islamabad on 04/12/2020. |
| 4.     | Mr. Islam Raziq, Deputy Director (BS-18)    | Physiotherapist, (BPS-18) NSEC for PHC, Islamabad on 04/12/2020.   | On promotion as Deputy Director, (BS-18) NSEC for PHC, Islamabad on 04/12/2020.              |

RUBINA AKHTAR,  
Director (Admin).

---

DIRECTORATE GENERAL OF TRADE ORGANIZATIONS

Islamabad, the 10th December, 2020

**No. F.5(04)/2020-Admn.**—Mr. Muhammad Arifullah, Director BS-19 officer of Commerce & Trade Group presently posted in Directorate General of Trade Organization has been granted 18 days earned leave on medical grounds on full pay with effect from 7th December, 2020 to 24th December, 2020.

After expiry of his leave, the officer will join his duties on the same post and at the same place.

MUHAMMAD TAHSEEN,  
Deputy Director (Admn).

---

FEDERAL GOVERNMENT POLYCLINIC

(Postgraduate Medical Institute)

Islamabad, the 4th December, 2020

**No. FGPC.1/3613/99.**—Ms. Nasim Akhtar, Charge Nurse (BS-16) of Federal Government Polyclinic,

Islamabad has resumed duty on 13th November, 2020 after availing leave details as under:-

- Quarantine Leave with effect from 12th October, 2020 to 16th October, 2020 (05 days).
- Granted extension in Quarantine leave with effect from 17th October, 2020 to 23rd October, 2020 (07 days).
- Granted extension in Quarantine leave with effect from 24th October, 2020 to 29th October, 2020 (06 days).
- Granted extension in Quarantine leave with effect from 30th October, 2020 to 12th November, 2020 (14 days).

**No. FGPC.1/4937/2010.**—Ms. Shahri Shan, Charge Nurse, (BS-16) was granted maternity leave (2nd time) on full pay with effect from 24th August, 2020 to 21st November, 2020 (90 days). Now she has resumed her duty on 22nd November, 2020 after availing leave.

**No. FGPC.1/4894/2010.**—Ms. Nazia Noreen, Charge Nurse (BS-16) of Federal Government Polyclinic, Islamabad has resumed duty on 17th November, 2020 after availing leave details as under:-

- Quarantine Leave with effect from 27th October, 2020 to 2nd October, 2020 (07 days).
- Granted extension in Quarantine leave with effect from 3rd November, 2020 to 16th November, 2020 (14 days).

Islamabad, the 8th December, 2020

**No. PF.1/4815/08.**—Dr. Nadeem Qureshi, Medical Officer, Federal Government Polyclinic, Islamabad was granted 2 weeks leave on full pay with effect from 16th November, 2020 to 29th November, 2020.

After availing above leave, he has joined his duty with effect from 30th November, 2020.

Islamabad, the 10th December, 2020

**No. PF.1/5365/18.**—Dr. Sumbal Andleeb Ch. Medical Officer, Federal Government Polyclinic, Islamabad was granted 365 days leave on half average pay with effect from 1st December, 2019 to 30th November, 2020 *vide* M/o. NHS,R&C's Notification No. F.1-42/2015-E-IV(FGPC) dated 20th November, 2019.

After availing above leave, she has joined her duty with effect from 27th November, 2020.

DR. FAROOQ AKHTAR,  
Deputy Executive Director.

GENERAL HEADQUARTERS, FGEI (C/G)  
DIRECTORATE

(IGT & E's Branch)

Rawalpindi, the 10th December, 2020

**No. 04/PF-6/Gen-FGEI(CA).**—Consequent upon her transfer on deputation from Government Model Science College Hattian Bala, AJK to FG Degree for Women, Abid Majeed Road, Rawalpindi Cantt, Ms. Tashfeen Rasheed, Lecturer of Physics (BPS-17) has assumed the charge of said post on 3rd September, 2020 (FN) in later College.

**No. 04/PF-6/Gen-FGEI(CA).**—Consequent upon her promotion from Assistant Professor (BPS-18) to Associate Professor (BPS-19) with effect from 4th December, 2019, Mrs. Lubna Yaqoob, FG Postgraduate College for Women, Kashmir Road, Rawalpindi has relinquished the charge of Assistant Professor (BPS-18) on 28th May, 2020 and assumed the charge of the post Associate Professor (BPS-19) in FG Girls Inter College, Abbottabad Cantt. on 29th May, 2020 (FN).

MUHAMMAD GHAFAR, *Lt. Col.*

*For Director General.*

Rawalpindi, the 10th December, 2020

**No. 04/PF-1500/77-FGEI(SA).**—Having exercised the option not to avail LPR on attaining the age of superannuation *i.e.* 60 years on 23rd November, 2021, Mrs. Mubarika Tasneem, SST, FG Public School (Girls) Chak 87/NB Sargodha Cantt. is hereby granted encashment in lieu of LPR for 262 days with effect from 7th March, 2021 to 23rd November, 2021 in accordance with Finance Division's O.M. No. F.1(7)R-4/2004 dated 29th August, 2012.

Certified that 262 days leave on full pay is due at her credit as verified by PAO.

She will stand retired from Government Service and her name will be struck off the strength of said school with effect from 23rd November, 2021 (AN).

**No. 04/PF-1454/77-FGEI(SA).**—Consequent upon her request for grant of premature retirement from Government Service on completion of 25 years qualifying service for pension, Mrs. Waheeda Malik, TGT, FG Public School No. 1 (Girls) Wah Cantt. is hereby granted retirement from Government Service with effect from 5th December, 2020.

She will stand retired from Government Service and her name will be struck off the strength of said school with effect from 5th December, 2020 (AN).

ALI RAZA SHAH, *Maj.*

*For Director General.*

ISLAMABAD HIGH COURT

Islamabad, the 1st December, 2020

**No. Admn/IHC/20260.**—Whereas the Hon'ble Chief Justice/Competent Authority orders for initiation of departmental proceedings against Ms. Saima Khan, Assistant Registrar/Accused Officer on account of "misconduct" for using bogus/forged educational certificates/degrees to get appointment in this Court, *vide* office order bearing No. 18993/Admn./IHC dated 5th September, 2019, under Government Servants (Efficiency and Discipline) Rules, 1973, read with rule 12 of the Islamabad High Court Establishment (Appointment and conditions of Service) Rules, 2011.

2. Whereas the Accused Officer was issued the charge sheet by the Authorized Officer, *vide* No. 2266/MIT/IHC/2019 dated 6th November, 2019. The Inquiry Officer after completion of the inquiry proceedings submitted the inquiry report in which charge/allegation stood proved. Therefore, the Inquiry Officer proposed the imposition of major penalty in terms of Rule 12(2) of the Islamabad High Court Establishment (Appointment and Conditions of Service) Rules, 2011, read with Rule 4 (1)(b) of the Government Servants (Efficiency and Discipline) Rules, 1973. The Authorized Officer after due process also arrived at the same findings as the Inquiry officer, and recommended the imposition of major penalty of "Dismissal from Service" in terms of Rule 12(2)(g) of the Islamabad High Court Establishment (Appointment and Conditions of Service) Rules, 2011, read with Rule 4(1)(b)(iv) of the Government Servants (Efficiency and Discipline) Rules, 1973.

3. Whereas the Hon'ble Chief Justice/Competent Authority, after careful perusal of the record, inquiry Report, recommendation of the Authorized Officer and after issuance of Final Show Cause Notice bearing No. Admn/IHC/20171 dated 9th November, 2020, as well as affording the opportunity of personal hearing to the accused officer as provided under the rules, has found that the charge stands proved without doubt.

4. Therefore, in terms of Rule 12 (2)(g) of the Islamabad High Court Establishment (Appointment and Conditions of Service) Rules, 2011, read with Rule 4 (1)(b)(iv) of the Government Servants (Efficiency and Discipline) Rules, 1973, the Hon'ble Chief Justice/Appointing Authority has been pleased to impose 'Major Penalty of Dismissal from Service' upon Ms. Saima Khan, Assistant Registrar (BPS-18)/Accused Officer (under suspension), with effect from 28th November, 2020, The legal consequences against her will ensue.

By Order of Hon'ble Chief Justice.

IMTIAZ AHMAD,  
Additional Registrar (Estb.).

Islamabad, the 8th December, 2020

**No. Admn/IHC/20271.**—The Competent Authority has been pleased to grant 15-days earned leave in favour of

Ms. Neelam Jehan Khan Assistant Registrar (BPS-18) of this Court with effect from 9th December, 2020 to 23rd December, 2020, with full pay (without Car/Conveyance Allowance).

**No. Admn/IHC/20274.**—The competent authority has been pleased to grant 14 days Quarantine leave in favour of Ms. Safia Haider, Assistant Librarian (BPS-17) of this Court with effect from 5th December, 2020 to 18th December, 2020, due to her Coronavirus (Covid-19) test report as positive, in terms of rule 37 of the Revised Leave Rules, 1980.

MUHAMMAD SARFRAZ SHARIF,  
Deputy Registrar (Admn).

Islamabad, the 1st December, 2020

**No. Admn/IHC/20263.**—The Competent Authority has been pleased to grant 01-day earned leave in favour of Mr. Muhammad Awais ul Hassan Khan, Deputy Registrar (BPS-19) of this Court for 23rd November, 2020, with full pay (without Car/Conveyance Allowance).

**No. Admn/IHC/20262.**—The Competent Authority has been pleased to grant 03-days earned leave in favour of Mr. Muhammad Awais ul Hassan Khan, Deputy Registrar (BPS-19) of this Court with effect from 2nd December, 2020 to 4th December, 2020, with full pay (without Car/Conveyance Allowance).

Islamabad, the 2nd December, 2020

**No. PF(82)/JO/Conf./IHC/848.**—The competent authority of this court has been pleased to grant 03-days earned leave to Malik Muhammad Imran, Civil Judge (BPS-18), West- Islamabad, with effect from 24th November, 2020 to 26th November, 2020, with full pay (without Car/Conveyance Allowance).

Islamabad, the 3rd December, 2020

**No. Admn/IHC/20265.**—In continuation of this Court Notification No. Admn/IHC/20253 dated 26th November, 2020, the competent authority has been pleased to grant earned leave, on medical grounds for further 07-days in favour of Mr. Shafiq ur Rehman, Deputy Registrar, (BPS-19) of this Court, with effect from 4th December, 2020 to 10th December, 2020, as per rules.

Islamabad, the 7th December, 2020

**No. Admn/IHC/20269.**—The Competent Authority has been pleased to grant 02-days earned leave in favour of Mr. Muhammad Sarfraz Sharif, Deputy Registrar (BPS-19) of this Court with effect from 4th December, 2020 to 5th December, 2020, with full pay (without Car/Conveyance Allowance).

NEELAM JEHAN KHAN,  
Assistant Registrar (Admn).

JINNAH POSTGRADUATE MEDICAL CENTRE

Karachi, the 24th November, 2020

**No. PF. 2.191/SN/Admn-1/JPMC.**—Mst. Sumita Naz D/o. Saleem Naz, Charge Nurse of this Centre has been granted LFP for 05 days with effect from 11th November, 2020 to 15th November, 2020, on medical grounds, subject to title.

She has resumed her duty on 16th November, 2020.

**No. PF. 2.344/KA/Admn-1/JPMC.**—The unauthorized absence from duty in respect of Mst. Kiran Anjum D/o. Yaqoob Anjum, Charge Nurse of this Centre for 05 days with effect from 17th October, 2020 to 18th October, 2020, 20th October, 2020, 23rd October, 2020 and 25th October, 2020, has been treated as EOL (without pay and allowances).

She has resumed her duty on 19th October, 2020, 21st October, 2020, 24th October, 2020 and 26th October, 2020.

**No. PF. 2.289/NY/Admn-1/JPMC.**—Mst. Nadia Yasin D/o. Muhammad Yasin, Charge Nurse of this Centre has been granted LFP for 08 days with effect from 16th October, 2020 to 23rd October, 2020, subject to title.

She has resumed her duty on 24th October, 2020.

**No. PF. 2.112/SC/Admn-1/JPMC.**—Mst. Shamim Chaman D/o. Chaman, Charge Nurse of this Centre has been granted LFP for 15 days with effect from 28th October, 2020 to 11th November, 2020, on medical grounds, subject to title.

She has resumed her duty on 12th November, 2020.

**No. PF. 2.80/HR/Admn-1/JPMC.**—Mst. Humaira Rasheed D/o. Abdul Rasheed Khan, Charge Nurse of this Centre has been granted LFP for 03 days with effect from 13th November, 2020 to 15th November, 2020, on medical grounds, subject to title.

She has resumed her duty on 16th November, 2020.

**No. PF. 2.177/SM/Admn-1/JPMC.**—The unauthorized absence from duty in respect of Mst. Shazia Mirza D/o. Mirza Khan, Charge Nurse of this Centre for 04 days with effect from 19th October, 2020 to 22nd October, 2020, has been treated as EOL (without pay and allowances).

She has resumed her duty on 23rd October, 2020.

Karachi, the 28th November, 2020

**No. PF. 2.261/NM/Admn-1/JPMC.**—Mr. Noor Muhammad S/o. Kokaray, Charge Nurse of this Centre has been granted LFP for 13 days with effect from 27th October, 2020 to 8th November, 2020, on medical grounds, subject to title.

He has resumed his duty on 9th November, 2020.

**No. PF. 2.94/LN/Admn-1/JPMC.**—The unauthorized absence from duty in respect of Mst. Lubna Nadeem D/o. Muhammad Yaqoob, Charge Nurse of this Centre for 09 days with effect from 15th October, 2020 to 23rd October, 2020, has been treated as EOL (without pay and allowances).

She has resumed her duty on 24th October, 2020.

**No. PF. 2. 396/SS/Admn-1/JPMC.**—The unauthorized absence from duty in respect of Mst. Sharel D/o. Sadiq Gill, Charge Nurse of this Centre for 05 days with effect from 5th October, 2020 to 9th October, 2020, has been treated as EOL (without pay and allowances).

She has resumed her duty on 10th October, 2020.

DR. SEEMIN JAMALI, *TI.*,  
Executive Director.

---

MODEL CUSTOMS COLLECTORATE APPRAISEMENT  
AND FACILITATION (EAST)

Karachi, the 5th December, 2020

**No. PF. 2(265)/2007-MCC-A&F (East).**—In pursuance of Federal Board of Revenue's Notification No. 2616-C-III/2020 dated 27th November, 2020, Syed Muhammad Fahim Kazmi, Appraising Officer (BS-16), has assumed the charge of Appraising Officer at MCC Appraisalment and Facilitation (East), Custom House, Karachi, with effect from 1st December, 2020.

SHAHZAD ALI,  
Assistant Collector HQs.

---

NATIONAL INFORMATION TECHNOLOGY BOARD

Islamabad, the 9th December, 2020

**No. NITB-1(270)/2016/1185.**—In pursuance of Ministry of Information Technology & Telecommunication Letter No. 4-30/2014-Dev dated 2nd December, 2020, Mr. Jamil-ur-Rahman has relinquished the charge of the post of Superintendent (Admin) (BS-17) as on 2nd December, 2020.

**No. NITB-1(270)/2016/1187.**—In pursuance of Ministry of Information Technology & Telecommunication Letter No. 4-30/2014-Dev dated 2nd December, 2020, Mr. Jamil-ur-Rahman has assumed the charge of the post of Assistant Director (Admin) (BS-17) as on 2nd December, 2020.

MUHAMMAD ASLAM LASHARI,  
Director.

OFFICE OF THE DIRECTOR GENERAL FEDERAL  
INVESTIGATION AGENCY

Islamabad, the 16th December, 2020

**No. A/P-I/Admn(N)/2019.**—Consequent upon transfer *vide* Establishment Division, Notification No. Z/1027/Admn-I/2020 dated 15th December, 2020, Miss Salina Shahid, Inspector (Inv/BS-16), is hereby transferred and posted to FIA Punjab Zone-I, Lahore with immediate effect till further orders.

This issues with the approval of Additional Director General (North).

Islamabad, the 21st December, 2020

CORRIGENDUM

**No. A/P-I/Admn(N)/2019/2747-55.**—The following Corrigendum is made in this office Notification No. A/P-I/Admn(N)/2019 dated 16th December, 2020 regarding transfer and posting of Miss. Salina Shahid to FIA Punjab Zone-I, Lahore.

| For  | Read as  |
|--|--|
| Consequent upon transfer <i>vide</i> Establishment Division Notification No. Z/1027/Admn-I/2020 dated 15th December, 2020, Miss Salina Shahid, Inspector (Inv/BS-16), is hereby transferred and posted to FIA Punjab Zone-I, Lahore with immediate effect till further orders. | Consequent upon transfer <i>vide</i> FIA HQrs Notification No. Z/1027/Admn-I/2020 dated 15th December, 2020, Miss Salina Shahid, Inspector (Inv/BS-16), is hereby transferred and posted to FIA Punjab Zone-I, Lahore with immediate effect till further orders. |

2. This issues with the approval of competent authority.

TARIQ MAHMOOD,  
Deputy Director (North).

---

OFFICE OF THE INSPECTOR GENERAL FRONTIER  
CORPS BALOCHISTAN

Quetta, the 30th November, 2020

**No. 101-9/Prom/511/E-2(Promotion).**—Following promotions are ordered in Frontier Corps Balochistan (North) with effect from the dates noted against each:-

*TO BE SUBEDAR MAJOR ON PROBATION FOR ONE YEAR*

- No. 11939 Subedar (General Duty) Muhammad Amin Khan, Punjabi of Special Operation Wing with effect from 5th June, 2020 *vice* No. 8939 Subedar Major (General Duty) Shakeel-ur-Rehman pensioned with effect from 4th June, 2020.



2. No. 9614 Subedar (General Duty) Rabi Rehman, Pathan of Sibi Scouts with effect from 15th October, 2020 on existing vacancy.
  3. No. 4775 Subedar (General Duty) Alam Sher, Punjabi of Ghazaband Scouts with effect from 15th October, 2020 on existing vacancy.
  4. No. 11827 Subedar (General Duty) Ajman Ullah, Pathan of Nushki Militia with effect from 15th October, 2020 on existing vacancy.
  5. No. 9125 Subedar (General Duty) Sher Zamin, Pathan of Sibi Scouts with effect from 15th October, 2020 on existing vacancy.
  6. No. 12133 Subedar (General Duty) Muhammad Zafar Iqbal, Punjabi of Nushki Militia with effect from 15th October, 2020 on existing vacancy.
  7. No. 5319 Subedar (General Duty) Habib-ur-Rehman, Punjabi of Maiwand Rifles with effect from 18th August, 2020 *vice* No. 8801 Subedar Major (General Duty) Munir Khan, Pathan pensioned with effect from 17th August, 2020.
  8. No. 4836 Subedar (General Duty) Muhammad Riaz, Punjabi of Chiltan Rifles with effect from 4th October, 2020 *vice* No. 17491 Subedar Major (General Duty) Taj Malook pensioned with effect from 3rd October, 2020.
  9. No. 9136 Subedar (General Duty) Boghcha Gul, Pathan of Maiwand Rifles with effect from 18th September, 2020 *vice* No. 8908 Subedar Major (General Duty) Khalid Mehmood pensioned with effect from 17th September, 2020.
- TO BE SUBEDAR ON PROBATION FOR ONE YEAR*
10. No. 26688 Naib Subedar (General Duty) Tariq Mehmood, Pathan of Sui Rifles with effect from 10th May, 2020 *vice* No. 16824 Subedar (General Duty) Salah-ud-Din promoted as Subedar Major with effect from 10th May, 2020.
  11. No. 6439 Naib Subedar (General Duty) Ghazi Muhammad, Baloch of Qilla Saifullah Scouts with effect from 23rd March, 2020 *vice* No. 8631 Subedar (General Duty) Waseem Akhtar posted to 150 Wing with effect from 1st August, 2019.
  12. No. 12965 Naib Subedar (General Duty) Munir Hussain, Baloch of Sibi Scouts with effect from 10th July, 2020 *vice* No. 11464 Subedar (General Duty) Riaz Ahmed pensioned with effect from 9th July, 2020.
  13. No. 33770 Naib Subedar (General Duty) Ghulam Yasin, Baloch of Sibi Scouts with effect from 12th July, 2020 *vice* No. 13652 Subedar (General Duty) Bakht Ullah pensioned with effect from 11th July, 2020.
  14. No. 6129 Naib Subedar (General Duty) Zait Ullah Khan, Pathan of Sibi Scouts with effect from 21st March, 2020 (on passing of Advance Leadership Course) *vice* No. 5483 Subedar Tikha Khan posted to 149 Wing Zhob Militia with effect from 1st October, 2019.
  15. No. 6308 Naib Subedar (General Duty) Ihsan Ullah, Pathan of Sibi Scouts with effect from 22nd March, 2020 *vice* No. 5262 Subedar Asmat Ullah Khan pensioned with effect from 7th January, 2020.
  16. No. 5657 Naib Subedar (General Duty) Hafiz Hamid Khan, Pathan of Sibi Scouts with effect from 4th June, 2020 *vice* No. 29194 Subedar (General Duty) Javed Khan pensioned with effect from 3rd June, 2020.
  17. No. 29543 Naib Subedar (General Duty) Jana Gul, Pathan of Sibi Scouts with effect from 4th July, 2020 *vice* No. 16869 Subedar (General Duty) Hidayat Ullah Khan pensioned with effect from 3rd July, 2020.
  18. No. 6065 Naib Subedar (General Duty) Ghulam Rasool, Punjabi of Chiltan Rifles with effect from 14th March, 2020 (on passing of Advance Leadership Course) on existing vacancy.
  19. No. 6200 Naib Subedar (General Duty) Khan Wali, Pathan of Chiltan Rifles with effect from 1st October, 2019 *vice* No. 7126 Subedar Muhammad Rehman posted to 149 Wing Zhob Militia with effect from 30th September, 2019.
  20. No. 11918 Naib Subedar (Pioneer) Aaj Khan, Pathan of Nushki Militia with effect from 13th November, 2019 *vice* No. 11409 Subedar Afzal Jan medical pension Board with effect from 11th July, 2018.
  21. No. 29825 Naib Subedar (General Duty) Abdul Majeed, Baloch of Ghazaband Scouts with effect from 13th November, 2019 *vice* No. 6736 Subedar Ghulam Akbar promoted as Subedar Major with effect from 19th November, 2018.
  22. No. 26373 Naib Subedar (General Duty) Mumtaz Khan, Pathan of Sui Rifles with effect from 1st November, 2019 *vice* No. 25816 Subedar Liaqat Hussain pensioned with effect from 31st October, 2019.
  23. No. 30091 Naib Subedar (Mortar) Amir Sultan, Pathan of Qilla Saifullah Scouts with effect from 2nd August, 2019 on passing of Advance Leadership Course *vice* No. 4723 Subedar Gul Jan promoted as Subedar Major with effect from 1st August, 2014.

24. No. 6930 Naib Subedar (General Duty) Wakeel Khan Pathan of Qilla Saifullah Scouts with effect from 7th December, 2018 on existing vacancy.
25. No. 34466 Naib Subedar (General Duty) Ghulam Younas, Baloch of Qilla Saifullah Scouts with effect from 23rd April, 2020 (on completion of 16 years qual service) on existing vacancy.
26. No. 5870 Naib Subedar (General Duty) Hadayat Ullah, Pathan of Qilla Saifullah Scouts with effect from 13th May, 2020 *vice* No. 5392 Subedar Liaqat Zaman pensioned with effect from 12th May, 2020.
27. No. 29255 Naib Subedar (General Duty) Yaqoot Hussain, Pathan of Qilla Saifullah Scouts with effect from 14th March, 2020 on passing of Advance Leadership Course on existing vacancy.
28. No. 31644 Naib Subedar (General Duty) Saif Ullah, Punjabi of Zhob Militia with effect from 13th November, 2019 *vice* No. 9100 Subedar Muhammad Umar promoted as Subedar Major with effect from 16th August, 2019.
29. No. 7020 Naib Subedar (General Duty) Muhammad Ramzan, Punjabi of Maiwand Rifles with effect from 7th April, 2020 *vice* No. 4907 Subedar Muhammad Amin pensioned with effect from 6th April, 2020.
30. No. 14196 Naib Subedar (General Duty) Hayat Khan, Pathan of Maiwand Rifles with effect from 1st April, 2020 *vice* No. 11834 Subedar Muhammad Ullah posted to Zhob Militia from the same date.
31. No. 9893 Naib Subedar (General Duty) Bakhmal Jan, Pathan of Sibi Scouts with effect from 9th July, 2020 *vice* No. 17175 Subedar Inayat Ullah pensioned with effect from 8th July, 2020.
32. 18290 Naib Subedar (General Duty) Muhammad Imran, Punjabi of Chiltan Rifles with effect from 21st July, 2020 *vice* No. 16730 Subedar Sana Ullah pensioned with effect from 20th July, 2020.
33. No. 5738 Naib Subedar (General Duty) Hafiz Sarfaraz, Baloch of Ghazaband Scouts with effect from 14th March, 2020 on passing of Advance Leadership Course on existing vacancy.
34. No. 13948 Naib Subedar (Medical) Muhammad Saleem, Punjabi of Ghazaband Scouts with effect from 23rd August, 2020 *vice* No. 6412 Subedar Lal Din Sajid pensioned with effect from 22nd August, 2020.
35. No. 7313 Naib Subedar (General Duty) Sana Ullah, Punjabi of Loralai Scouts with effect from 1st July, 2020 *vice* No. 6763 Subedar Muhammad Akram pensioned with effect from 30th June, 2020.
36. No. 9594 Naib Subedar (General Duty) Fareed Khan, Pathan of Zhob Militia with effect from 30th January, 2020 *vice* No. 9303 Subedar Sana Ullah posted to 150 Wing Qilla Saifullah Scouts with effect from 31st August, 2019.
37. No. 26282 Naib Subedar (General Duty) Inayat Ullah, Pathan of Zhob Militia with effect from 10th October, 2020 *vice* No. 25874 Subedar Widan Gul pensioned with effect from 9th October, 2020.
38. No. 6227 Naib Subedar (General Duty) Zawar Ali, Pathan of Zhob Militia with effect from 14th July, 2020 *vice* Subedar Syed Muhammad Khan pensioned with effect from 13th July, 2020.
39. No. 14801 Naib Subedar (General Duty) Muhammad Nasrullah, Punjabi of Maiwand Rifles with effect from 27th July, 2020 *vice* No. 4882 Subedar Zafar Iqbal pensioned with effect from 26th July, 2020.
40. No. 14886 Naib Subedar (General Duty) Mazhar Abbas, Punjabi of Maiwand Rifles with effect from 12th July, 2020 *vice* No. 13584 Subedar Mumtaz Ahmed pensioned with effect from 11th July, 2020.
41. No. 5542 Naib Subedar (General Duty) Rafaqat Ali, Punjabi of Ghazaband Scouts with effect from 10th January, 2020 on existing vacancy.
42. No. 5542 Naib Subedar (General Duty) Hameed Ullah, Pathan of Bambore Rifles with effect from 3rd September, 2020 *vice* No. 28309 Subedar Daud Khan pensioned with effect from 2nd September, 2020.
43. No. 6047 Naib Subedar (General Duty) Salim Akbar, Baloch of Qilla Saifullah Scouts with effect from 22nd March, 2020 (on passing of Advance Leadership Course) *vice* No. 8629 Subedar Nazir Ahmed pensioned with effect from 21st January, 2019.
44. No. 6848 Naib Subedar (General Duty) Shahid Mehmood, Punjabi of Ghazaband Scouts with effect from 1st May, 2020 *vice* No. 5126 Subedar Aman Ullah pensioned with effect from 30th April, 2020.
45. No. 5973 Naib Subedar (Signal) Muhammad Asif, Punjabi of Ghazaband Scouts with effect from 14th March, 2020 on passing of Advance Leadership Course *vice* No. 727 Subedar Gharib Khan pensioned with effect from 7th January, 2019.
46. No. 14123 Naib Subedar (Signal) Umar Wahid, Pathan of Ghazaband Scouts with effect from 13th November, 2019 *vice* No. 8912 Subedar Tariq Mehmood placed on ERE HQFC with effect from 24th March, 2017.
47. No. 26008 Naib Subedar (General Duty) Iqbal Hussain, Pathan of Maiwand Rifles with effect from

- 2nd May, 2020 *vice* No. 25899 Subedar Muhammad Hamayun pensioned with effect from 1st May, 2020.
48. No. 26940 Naib Subedar (General Duty) Muhammad Ramzan, Baloch of Maiwand Rifles with effect from 21st March, 2020 on passing of Advance Leadership Course on existing vacancy.
49. No. 13743 Naib Subedar (General Duty) Saman Khan, Pathan of Sibi Scouts with effect from 23rd May, 2020 *vice* No. 4564 Subedar Muhammad Nawaz pensioned with effect from 22nd May, 2020.
50. No. 9320 Naib Subedar (General Duty) Zafar Iqbal, Punjabi of Sibi Scouts with effect from 6th July, 2020 *vice* No. 11497 Subedar Niaz Ahmed pensioned with effect from 5th July, 2020.
51. No. 9544 Naib Subedar (General Duty) Muhammad Akhtar, Punjabi of Qilla Saifullah Scouts with effect from 21st March, 2020 on passing of Advance Leadership Course on existing vacancy.
52. No. 5654 Naib Subedar (General Duty) Kamran Ayub, Punjabi of Chiltan Rifles with effect from 15th March, 2020 on existing vacancy.
53. No. 29847 Naib Subedar (General Duty) Juma Khan, Baloch of Sui Rifles with effect from 1st August, 2019 on existing vacancy.
54. No. 5645 Naib Subedar (General Duty) Bashir Khan, Pathan of Ghazaband Scouts with effect from 1st July, 2020 *vice* Subedar Abdur Rahim pensioned with effect from 30th June, 2020.
55. No. 33769 Naib Subedar (General Duty) Muhammad Jan, Baloch of Sibi Scouts with effect from 4th March, 2020 on existing vacancy.
56. No. 9687 Naib Subedar (General Duty) Gul Hassan, Baloch of Nushki Militia with effect from 16th September, 2020 *vice* No. 5112 Subedar Abdul Qayum pensioned with effect from 15th September, 2020.
57. No. 12298 Naib Subedar (Signal) Muhammad Aslam, Baloch of Nushki Militia with effect from 13th November, 2019 *vice* No. 16788 Subedar Shamsher Ali pensioned with effect from 31st October, 2019.
58. No. 9921 Naib Subedar (General Duty) Sana Ullah Khan, Punjabi of Maiwand Rifles with effect from 14th March, 2020 (on passing of Advance Leadership Course) *vice* No. 4624 Subedar Ashiq Hussain posted to 144 Wing Sibi Scouts with effect from 31st March, 2018.
59. No. 5970 Naib Subedar (General Duty) Tanveer Hussain, Punjabi of Maiwand Rifles with effect from 14th May, 2019 on existing vacancy.
60. No. 14497 Naib Subedar (Signal) Farman Ullah, Pathan of Maiwand Rifles with effect from 1st June, 2019 (on passing of Advance Leadership Course) *vice* No. 12835 Subedar Sartaj Khan pensioned with effect from 2nd January, 2016.
61. No. 26322 Naib Subedar (General Duty) Shoukat Ali, Punjabi of Zhob Militia with effect from 6th June, 2020 *vice* No. 13180 Subedar Imdad Hussain promoted as Subedar Major with effect from 6th June, 2020.
62. No. 5491 Naib Subedar (General Duty) Fazal Abbas, Punjabi of Qilla Saifullah Scouts with effect from 11th June, 2019 on existing vacancy.

IMRAN TABISH, *Lieutenant Colonel*.  
For Inspector General.

---

OFFICE OF THE INSPECTOR GENERAL FRONTIER  
CORPS KHYBER PAKHTUNKHWA

Peshawar, the 30th November, 2020

**No. 34/Prom/33/X/RW.**—The following promotions are ordered:-

*TO BE SUBEDAR ON PROBATION OF SIX MONTHS*

- No. 802293 Naib Subedar Mutahar Zeb of 184 Wing Dir Scouts (Settle District) with effect from 4th February, 2020 (forenoon) *vice* No. 901519 Subedar Aftab Muhammad promoted Subedar Major with effect from 4th February, 2020 (forenoon).
- No. 901966 Naib Subedar Lal Ghamir of 186 Wing Dir Scouts (Tribal District) with effect from 31st July, 2020 (forenoon) *vice* No. 901885 Subedar Abdul Samad proceeded on pension with effect from 30th July, 2020 (afternoon).
- No. 303431 Naib Subedar Habib Ullah of 182 Wing Dir Scouts (Tribal District) with effect from 21st August, 2020 (forenoon) *vice* No. 302295 Subedar Khan Badshah proceeded on pension with from 20th August, 2020 (afternoon).
- No. 302933 Naib Subedar Noor Zamin Khan of 182 Wing Dir Scouts (Settle District) with effect from 1st November, 2020 (forenoon) *vice* No. 901620 Subedar Mir Alam Khan proceeded on pension with effect from 31st October, 2020 (afternoon).
- No. 404506 Naib Subedar Afzal Ali Shah of 141 Wing Chitral Scouts (Tribal District) with effect from 2nd June, 2020 (forenoon) *vice* No. 404131 Subedar Sadiq Ullah proceeded on pension with effect from 1st June, 2020 (afternoon).

6. No. 404596 Naib Subedar Aman Ullah of 143 Wing Chitral Scouts (Settle District) with effect from 15th August, 2020 (forenoon) *vice* No. 404134 Subedar Amir Ullah proceeded on pension with effect from 14th August, 2020 (afternoon).
7. No 404557 Naib Subedar Ghulam Ullah of 143Wing Chitral Scouts (Tribal District) with effect from 13th September, 2020 (forenoon) *vice* No. 404189 Subedar Sultan Wazir proceeded on pension with effect from 12th September, 2020 (afternoon).

**TO BE NAIB SUBEDAR ON PROBATION OF SIX MONTHS**

8. No 405093 Havildar Gul Rehmat of 141Wing Chitral Scouts (Settle District) with effect from 11th April, 2020 (forenoon) from the date of qualification *vice* No. 404346 Naib Subedar Javeed Ahmad promoted Subedar with effect from 1st January, 2019 (forenoon).
9. No 405191 Havildar Habib Ur Rehman of 141 Wing Chitral Scouts (Settle District) with effect from 11th April, 2020 (forenoon) from the date of qualification *vice* No. 404369 Naib Subedar Samad Khan promoted Subedar with effect from 1st January, 2019 (forenoon).
10. No 405285 Havildar Muhammad Adil Shah of 143 Wing Chitral Scouts (Settle District) with effect from 15th August, 2020 (forenoon) *vice* No. 404596 Naib Subedar Aman Ullah promoted Subedar with effect from 15th August, 2020 (forenoon).

MUHAMMAD IMRAN, *Lieutenant Colonel*.  
Officer Incharge Records.

OFFICE OF THE INSPECTOR GENERAL OF POLICE

[NATIONAL HIGHWAYS & MOTORWAY POLICE]

Quetta, the 1st October, 2020

**No. NHMP/DIG/(West)/HRM-I/20/285.**—Mr. Shafiq-ur-Rahman DSP/CPO (BS-17) of Beat-II, Pasni, N-10, Coastal Highway Gwader is hereby granted 08-days Monthly Rest alongwith 02-days Casual Leave with effect from 5th October, 2020 to 14th October, 2020.

During his leave period, IP/SPO Dolat Khan Admin Officer of Beat-II Pasni, N-10, Gwader will look after the routine affairs of Beat-II Pasni in addition to his own assignment in existing pay/scale.

ALI SHER JAKHRANI, *PPM.PSP*.  
Deputy Inspector General.

Karachi, the 2nd October, 2020

**No. DIG/S/N-5/NHMP/HRM/(05)/2947.**—DSP/CPO (BS-17) Faraz Hashim Bhatti S/o. Gul Muhammad, presently posted as CPO Beat-01 Petaro, Sector N-55 (Indus Highway), is hereby appointed as Drawing & Disbursing Officer of Sector N-55 (Indus Highway) Sehwan, with immediate effect till further orders in addition to his own work.

MATLOOB AHMAD, *PSP*,  
Deputy Inspector General.

Islamabad, the 1st October, 2020

**No. NHMP-11(5)/Promotion/2020/705.**—In continuation of this office earlier Office Order Bearing No. NHMP-11 (5) / Promotion/2020/676 dated 25th September, 2020.

2. On recommendation of Departmental Promotion Committee (DPC), during its meeting held on 7th September, 2020, chaired by the DIG (HQs), Mr. Mehmood Azam, Stenotypist (BS-14) Seniority# 01, is promoted to the post of Assistant Private Secretary (BS-16) with effect from 25th September, 2020, on regular basis.

3. Upon promotion, the above mentioned officer is placed on probation for a period of one year and extendable as per rules and his Seniority shall be reckoned under the provisions of Civil Servant Seniority (Rules), 1993. The officer shall be deputed to STI for one or two weeks refresher course for APS, as prescribed by the STI, Islamabad within 06 months and will submit certificate.

4. Necessary entries may be made in the Service Books of the concerned officer and copy of this notification may also be placed in his personal file as the same is being maintained at PLHQs Zone.

5. This issues with the approval of inspector General of Police, NHMP.

Islamabad, the 2nd October, 2020

**No. NHMP-42(7)/2020//HRM/SPO/1928.**—In continuation to this office earlier Notification No. NHMP-38 (6)/18/ HRM/ SPO-PO/1495 dated 28th May, 2019 and in compliance of order/judgment dated 5th October, 2018 passed by the Honourable Supreme Court of Pakistan in Criminal Review Petition No. 207/2016 in Criminal Original Petition No. 89 /2011, its connected cases and the order/judgment dated 5th October, 2018 passed in the Criminal Original Petition No. 36/2017 and 22/2017 in Criminal Original Petition 89/2011 and orders dated 16th May, 2014, 30th May, 2014, 25th February, 2016 and 17th June, 2016 passed by the Honourable Sindh High Court, Karachi, in Constitution Petition No. D-331 of 2013 and upon dismissal of Writ Petition No. 2481/2019 and Intra Court Appeals No. 314/ 2019 & 317/2019 by the Honourable Islamabad High Court, Islamabad *vide* judgement passed on 11th July, 2019 &

12th February, 2020, respectively, SPO Sajid Mehmood (S-373) is hereby repatriated from National Highways & Motorway Police (NHMP) to his parent department *i.e.* Punjab Police in his substantive rank, pay & allowances, on competition of deputation period and on his own request, with immediate effect.

2. The matter of Seniority and other consequential benefits on repatriation to parent department has been settled by the Honourable Supreme Court of Pakistan in the judgment passed in CrI, Review Petition No. 193/2013 in Criminal Original Petition No. 89/2011, titled Ali Azhar Baloch versus Chief Secretary Government of Sindh reported as 2015 SCMR 456. Para-160 of the said judgment is as under:-

“The officers/officials who have been repatriated to their parent departments shall be entitled to salaries and other benefits from the date they were relieved to join their parent department. Their Seniority shall be maintained in their parent departments with their batch mates as if they were never relieved from their parent departments. Expiry of period lien shall not come in the way of the officers to deprive them from joining the parent department”.

3. The above named officers may be relieved immediately by Zonal/Sector Office with the directions to be conveyed to concerned Beat Commander for his formal relieving. However, LPC be issued after receipt of uniform articles, Arms & Ammunition and departmental E-Card issued to the officer and clearance from all concerned sections including R&W Fund.

4. This is issued with the approval of Inspector General of Police. NHMP.

FAZL-I-HAMID, PSP,  
Assistant Inspector General.

\_\_\_\_\_  
Lahore, the 1st October, 2020

**No. NHMP/Addl-IGP(CR)/PA/20/930.**—The undersigned has been directed to convey that the Addl-IGP/Regional Commander, Central Region has approved 02-days Casual/Station Leave for 3rd & 4th October, 2020, in favour of Mian Afnan Amin, PSP/SP, Sector Commander, N-5 Central-III, RYK in connection with attending some family engagements at Islamabad.

2. Further, Mr. Farasat Ali, DSP/CPO Beat-24, Sector C-III will look after the affairs of Sector C-III during the leave of aforesaid officer.

3. This issues with the approval of the Additional Inspector General (Central Region) NHMP, in exercise of powers conferred *vide* Letter No. NHMP-212(2)/PSP/2017/1015, dated 24th April, 2018.

**No. NHMP/Addl-IGP(CR)/PA/20/925.**—The undersigned has been directed to convey that the Addl-IGP/Regional Commander, Central Region has approved 30-days earned Leave with effect from date of availing *i.e.* 1st October,

2020, in favour of DSP/CPO Zaigham-ur-Rehman of N-5, Central Zone, in connection with his health issues.

This issues with the approval of the Additional Inspector General (Central Region) NHMP, in exercise of powers conferred *vide* Letter No. NHMP-212(2)/PSP/2017/1015, dated 24th April, 2018.

ATIF ALI CHAUDHARY, DSP/CPO.,  
S.O to Addl. IGP (Central Region).

---

PAKISTAN METEOROLOGICAL DEPARTMENT

Islamabad, the 8th December, 2020

**No. E-16(578)/1702.**—Syed Farooq Ali, Meteorologist (BS-17), Institute of Meteorology & Geophysics, has been granted 61 days leave on full pay from 21st September, 2020 to 20th November, 2020, with permission to prefix/suffix Saturday & Sunday from 19th September, 2020 to 20th September, 2020 and 21st November, 2020 to 22nd November, 2020, subject to admissibility.

On expiry of leave, Syed Farooq Ali, Meteorologist (BS-17) resumed duty at the same station on 23rd November, 2020.

MUHAMMAD SHOAB,  
Administrative Officer (Estab).

\_\_\_\_\_  
Karachi, the 21st December, 2020

**No. E-16(30)/19/K/4960.**—Mr. Muhammad Ahmed, Assistant Electronic Engineer (BPS-16) Met Headquarters camp office Karachi, has been granted 15 days Rest and Recreation leave in lieu of 10 days LFP with effect from 2nd November, 2020 to 16th November, 2020 with permission prefix Saturday and Sunday on 31st October, 2020 to 1st November, 2020 respectively subject to admissibility.

On expiry of leave, Mr. Muhammad Ahmed, Assistant Electronic Engineer resumed duty at the same station on 17th November, 2020.

SAJID RASHID KHAN,  
Meteorologist (Admin).

\_\_\_\_\_  
Lahore, the 9th December, 2020

**No. A-3/22(238)/341.**—Mr. Shafqat Ullah, Assistant Meteorologist (BS-16), Meteorological Office, Multan Airport has been granted 25 days LFP from 1st November, 2020 to 25th November, 2020, subject to admissibility.

On expiry of leave, Mr. Shafqat Ullah, Assistant Meteorologist (BS-16) resumed his duty at the same station on 26th November, 2020.

MUHAMMAD WAJID AMIN,  
Meteorologist (Admin).

---

PAKISTAN POST

[OFFICE OF THE DIRECTOR GENERAL PAKISTAN POST]

Islamabad, the 7th December, 2020

**No. Disp. 5-7/2020.**—Mirza Hussain, a BPS-17 officer of Postal Group presently posted as Chief Postmaster (BPS-17), Korangi GPO, Karachi while working as Divisional Superintendent Postal Services (BPS-17) Quetta remained absent from duty and did not involve himself in the process of disbursement of Military/P TCL/Postal pension to the pensioner at door steps in wake of National Emergency of COVID-19 pandemic, hence, he was transferred and posted as Chief Postmaster, Korangi GPO, Karachi with the direction to move first, but instead of complying with the orders of the competent authority, he filed a representation dated 9th April, 2020 regarding his transfer/posting and submitted an application for grant of leave to the Director General directly in violation of Rule 7&7.1 of Revised Leave Rule, 1980, Both representation and application were rejected by the competent authority with the direction to assume the charge of the post of Chief Postmaster (BPS-17), Korangi GPO, Karachi without further delay but he did not comply with the orders of the competent authority to join his new assignment and remained unauthorizedly absent from duty from 6th April, 2020 to 10th August, 2020.

2. Whereas, by reasons of the above, disciplinary action was initiated against the officer by issuing Show Cause Notice dated 12th June, 2020 with direction to submit his defense reply to the Show Cause Notice within fourteen (14) days of receipt of copy of show cause notice with the intimation as to why one or more of the penalties which include the major penalty of "Dismissal from Service" as prescribed in Rule 4 (1) of the Government Servants (E&D) Rules, 1973 may not be imposed upon him. The officer submitted his written defense reply to the Show Cause Notice on 26th June, 2020. He was granted personal hearing by the Authorized Officer on 18th August, 2020. However he neither could refute the charges in his written defense statement nor could prove himself innocent during personal hearing.

3. And Whereas, the undersigned being the Authorized Officer, after going through the facts of the case reached the conclusion that the accused officer failed to comply with the orders of transfer/posting and remained absent unauthorizedly from duty from 6th April, 2020 to 10th August, 2020. Thus the charges of "Inefficiency" and "Misconduct" have established against the accused officer

and he was liable to be imposed major penalty and hence referred the case to the Authority viz Secretary Communications with the recommendation to consider the case for imposition of one of the major penalties including "Dismissal from Service".

4. Therefore, the Authority viz Secretary, Ministry of Communications in exercise of the power vested in him under Rule 2(2) of Government Servants (E&D) Rule, 1973 gave opportunity of personal hearing on 9th November, 2020 and decided to impose major penalty of "three stages lower in the time scale for a period of one year" as prescribed under rule (4)(1)(b)(i) of the Government Servants (E&D) Rules, 1973 upon Mirza Hussain, Chief Postmaster (BS-17), Korangi GPO, Karachi.

5. Mirza Hussain shall have a right of appeal to the Appellate Authority under the Civil Servants (Appeal) Rules, 1977 within a period of 30 days from the date of issuance of this notification.

MUHAMMAD AKHLAQUE RANA,  
Director General.

---

PAKISTAN PUBLIC WORKS DEPARTMENT

Islamabad, the 7th December, 2020

**No. AIII-714/401(24).**—On his transfer from Central Civil Circle No. I, Pak, PWD, Islamabad to Central Civil Circle No. II, Pak, PWD, Islamabad, vide this Office Order No. AII-713/772/(1352) dated 16th October, 2020, Mr. Muhammad Tariq Bhatti, has assumed the charge of the post of Assistant Private Secretary (BPS-16) Gazetted Central Civil Circle No. II, Pak, PWD, Islamabad on 19th October, 2020.

Islamabad, the 8th December, 2020

**No. AI-717/700(2170).**—Pursuant to Auditor General of Pakistan Letter No 872/Estt-C/11-2013, dated 7th December, 2020, Mr. Amjad Farooq assumed charge to the post of Deputy Budget & Finance Officer (BS-17), D.G's Office, Pak, PWD, Islamabad on 8th December, 2020.

Islamabad, the 9th December, 2020

**No. AI-717/700(1637).**—Consequent upon his transfer vide this office Order No. AI-717/700(1753) dated 10th September, 2020, Mr. Muhammad Haseeb Khan Sherwani, relinquished charge to the post of Executive Engineer, Central Civil Division, Pak. PWD, Multan on 14th September, 2020 and took over charge to the post of Executive Engineer (QS), Central Civil Circle, Pak, PWD, Bahawalpur from Mr. Aurangzeb Ansari, Executive Engineer on 15th September, 2020.

M. B. KHATTAK,  
Chief Administrative Officer.

# The Gazette of Pakistan

PUBLISHED BY AUTHORITY

KARACHI, WEDNESDAY, MARCH 3, 2021

## PART IV

### Notifications issued by the minor administrations and miscellaneous notifications not included in any other part

ISLAMABAD CAPITAL TERRITORY, CO-OPERATIVES DEPARTMENT

Islamabad, the 1st February, 2021

**No. 686/CR/ICT/B.**—Consequent upon the elections of Managing Committee of Rail Gardens Cooperative Housing Society, Islamabad, the following members of the Society have been elected un-opposed for the period of three years in accordance with the Islamabad Capital Territory Cooperative Societies (Managing Committee Election) Rules 2019, with immediate effect :

| S. No. | Name of the Candidate / MS. No. | Post             |
|--------|---------------------------------|------------------|
| 1.     | Javed Mubarak Ali / MS : 457.   | President        |
| 2.     | Manzoor Ahmed / MS : 17         | Vice President   |
| 3.     | Muhammad Nazim Usmani / MS :345 | Secretary        |
| 4.     | Akhtar Hussain / MS :41         | Treasurer        |
| 5.     | Shahid Ahmed / MS :39           | Executive Member |
| 6.     | Muhammad Rasheed / MS : 358     | Executive Member |
| 7.     | Muhammad Ilyas / MS : 16        | Executive Member |
| 8.     | Azhar Ali / MS : 254            | Executive Member |
| 9.     | Muhammad Ashfaq / MS : 40       | Executive Member |

2. The newly elected Managing Committee is directed to take following actions immediately :-

- i. The Managing Committee will take over the charge of the Society immediately and act in accordance with the Cooperative Societies Act, 1925 and Islamabad Cooperative Societies Rules, 2018, as well as Byelaws of the Society and directions issued under Section 44-D & 44-E, dated 15th March, 2017.
  - ii. The Managing Committee of the Society should clear all issues pertaining to LOP / NOC from concerned Development Authority.
  - iii. The Managing Committee is directed to pursue all the cases pending in different Courts on behalf of Society.
  - iv. As per clause (2) of Gazette notification dated 3rd March, 2017 each member of the Managing Committee of Cooperative Society shall declare the details of assets in his name or in the name of his dependants as per enclosed performa within 30 days.
  - v. The Managing Committee will submit its monthly progress report to the Registrar, Cooperative Societies, Islamabad.
3. This issues with the approval of Deputy Commissioner / Registrar Cooperative Societies, ICT, Islamabad.

RIAZ HUSSAIN,  
Assistant Registrar,  
Cooperative Societies Department.

MINISTRY OF NATIONAL FOOD SECURITY AND  
RESEARCH

Islamabad, the 22nd January, 2021

**SUBJECT : Committee of Ministers for Preparing Short, Medium and Long-Term Road Maps to address the issue of Shortages/ Price-Hike of Essential Food Commodities.**

**No. 2(4)DS(1A-IV)/2002.**—The Prime Minister of Pakistan, *vide* Case No. 2728/SPM/2020, dated 15th January, 2021, has been pleased to constitute the subject Committee of Ministers with the following composition :-

*Chairman :*

1. Syed Fakhar Imam, Minister, NFS&R.

*Members :*

2. Makhdoom Shah Mehmood Hussain Qureshi, Minister, Foreign Affairs.
3. Makhdoom Khusro Bakhtiar, Minister, Economic Affairs.
4. Dr. Fehmida Mirza, Minister for Inter-Provincial Coordination.
5. Mr. Pervez Khattak, Minister for Defence
6. Ms. Zubaida Jalal Khan, Minister for Defence Production.
7. Mr. Nadeem Afzal Gondal

**2. Terms of Reference of the Committee :**

- a. Review production and supply of essential food commodities in the country along-with present and future demand.
- b. Assess the gap between supply and demand of food commodities.
- c. Import of food commodities and expenditure, import substitution.
- d. Prepare a short, medium and long-term plan for balancing the supply and demand of food commodities on a sustainable basis.
- e. Propose a plan to overcome shortages/price hike in the future.
- f. Any other issue related or incidentals to the above matters.

3. Ministry of National Food Security & Research (NFS&R) will provide secretariat support and Secretary, Ministry of NFS&R would act as Member/Secretary of the Committee. The Committee may opt any person as co-opted member of the Committee to perform its functions.

SYED AHSAN MUMTAZ,  
Joint Secretary (Admn.).



# The Gazette of Pakistan



PUBLISHED BY AUTHORITY

KARACHI, WEDNESDAY, MARCH 3, 2021

## PART V

Notifications, etc., issued by The Patent Office

### NEW APPLICATIONS FOR THE PATENTS

The dates shown in the crescent brackets are the dates claimed under section 86 of the Patents Ordinance 2000.

29th June, 2020

|          |   |          |  |
|----------|---|----------|--|
|          |   | 434/2020 | Prof. Dr. Abdul Naeem; Mr. Ihtisham Wali Khan; Prof. Dr. Tahira Mahmood; Ms. Tooba Saeed; Mr. Zahoor Ahmad and Dr. Israf ud Din, Pakistan.—“A Process for wastewater treatment”.   |
| 429/2020 | EISAI R&D MANAGEMENT CO., LTD., Japan. (Priority 1st July, 2019, JP).—“Anti-EphA4 Antibody”.  | 435/2020 | Prof. Dr. Abdul Naeem; Mr. Ihtisham Wali Khan; Dr. Muhammad Farooq; Ms. Tooba Saeed; Mr. Zahoor Ahmad; Mr. Shah Zaman and Dr. Asma Nasrullah, Pakistan.—“A Process for Preparation of Biodiesel”.  |
| 430/2020 | ELI LILLY AND COMPANY, U.S.A (Priority 9th July, 2019, US).—“PROCESSES AND INTERMEDIATE FOR THE LARGE-SCALE PREPARATION OF 2,4,6-TRIFLUORO-N-[6-(1-METHYL-PIPERIDINE-4-CARBONYL)-PYRIDIN-2-YL]-BENZAMIDE HEMISUCCINATE, AND PREPARATION OF 2,4,6-TRIFLUORO-N-[6-(1-METHYL-PIPERIDINE-4-CARBONYL)-PYRIDIN-2-YL]-BENZAMIDE ACETATE”.                | 436/2020 | Prof. Dr. Abdul Naeem; Prof. Dr. Bashir Ahmad; Mr. Zahoor Ahmad; Ms. Raheela Sarwar; Prof. Dr. Shumaila Rauf; Prof. Dr. Jehan Bakht and Dr. Abid Ali Khan, Pakistan.—“Rapid diagnosis of the secretory antigen 85 complex gene (s) as a vaccine candidate against Mycobacterium Tuberculosis (MTb)”. |
| 431/2020 | Abb Vie Inc., U.S.A (Priority 14th March, 2013, US).—“APOPTOSIS-INDUCING AGENT SUCH AS 4-(4-[[2-(4-CHLOROPHENYL)-4,4-DIMETHYLCYCLOHEX-1-EN-1-YL] METHYL] PIPERAZIN-1-YL)-N-[[4-[[{(2S,5R)-5-METHYL-1,4-DIOXAN-2-YL]METHYL] AMINO)-3-NITROPHENYL]SULFONYL]-2-(1H-PYRROLO[2,3-B]PYRIDIN-5-YLOXY) BENZAMIDE AND PHARMACEUTICAL COMPOSITION THEREOF”. | 441/2020 | Ignite National Technology Fund (formerly known as National ICT & R&D Fund), Pakistan.—“A LOW COMPLEXITY PROCESS FOR COMPENSATION OF DEFORMATION IN CONFORMAL BEAMFORMING ARRAY ANTENNAS”.   |
|          |   |          | <b>30th June, 2020</b>   |
| 432/2020 | ENZA ZADEN BEHEER B.V., Netherlands.—“TOMATO PLANT RESISTANT TO TOMATO BROWN RUGOSE FRUIT VIRUS”  | 437/2020 | Engr. Ali Imran, Engr. Noor Faraz, Engr. Abdullah Saqib, Mr. Muhammad Atif, Mr. Imran Qureshi, Dr. Quratulain Syed & Mr. Muhammad Azhar. Pakistan.—“Laboratory Scale Production Mould for Biodegradable Spoon”.  |
| 433/2020 | XINGYU SAFETY PROTECTION TECHNOLOGY CO., LTD, China (Priority 18th July, 2019, CN).—“Ultra-High Molecular Weight Polyethylene Fiber With Ultra-High Cut Resistance And Preparation Method thereof”  | 438/2020 | Novaphos Inc., U.S.A. (Priority 30th June, 2019, US).—“Phosphorus Production Methods and Systems and Methods for Producing a Reduction Product”.   |

439/2020 Cotton Incorporated, U.S.A. (Priority 1st July, 2019, US).—"COTTON TEXTILE WASTE FABRIC USED AS A BIOMASS FOR THE PRODUCTION OF SUGAR".

143536

**1st July, 2020**

440/2020 MedImmune Limited, Great Britain (Priority 1st July, 2019, US).—"PHARMACEUTICAL COMPOSITIONS FOR GLUCAGON AND GLP-1 CO-AGONIST PEPTIDES".

442/2020 UPL LIMITED, India (Priority 25th July, 2019, IN).—"NOVEL AGROCHEMICAL COMBINATIONS".

443/2020 Lead Pharma Holding B.V. , NETHERLANDS (Priority 4th July, 2019, EP).—"ESTROGEN-RELATED RECEPTOR ALPHA (ERRAa) MODULATORS".

444/2020 BASF Agriculture Solutions Seed US LLC and Max-Planck-Gesellschaft zur Forderung der Wissenschaften e.V., Germany (Priority 5th July, 2019, EP).—"RUBISCO ACTIVE WITH REDUCED ADP INHIBITION AND USES THEREOF".

**APPLICATION ACCEPTED**

Notice is hereby given that the person interested in opposing the grant of Patents to any of the applications referred to below at any time within four months from the date of this Patents' journal may give notice at the Patent Office on the prescribed Form P-7 of the Patents Rules 18(1) of 2003.

The six figures number shown in the right hand side are those given to applications on acceptance of the complete specification under which the specification will be printed and subsequent proceeding taken.

The figures shown within square brackets after the title of inventions indicate their classification index at acceptance.

Typed copies of the specification which are to open to public inspection can be supplied by the Patent Office on payment of the prescribed charges which may be ascertained on application to the office.

803/2018 Engr. Wasi Ahmed Zinda.—"SYSTEM FOR ELECTRICITY GENERATION FROM DIVERSE ROAD —TRAFFIC SUCH AS PEDESTRIANS AND VEHICLES".

F03G7/08 & E01F11/00.

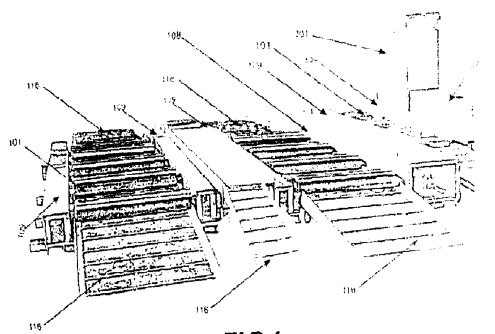
A system for converting gravitational force of road- traffic into useful electricity. The downward force exerted due to weight of the vehicles /pedestrians directly on a set of wings/plates fixed on a base-frame placed over the road creates pulses of rotational movement on axial shafts that are converted into electricity. The mechanism for this purpose is simple, involving few basic elements like MS U-Channels, MS Sheets, MS Plates, MS shafts, ball-bearings, chains & sprockets, bolts/nuts fasteners, and DC generator. Wings fabricated from thick MS plates are welded in center- line with shafts (to produce rotary pulses). The shaft, is supported at ends on Pillow-blocks and Ball Bearings, extended on one end enters into a Sheet-metal cabinet i.e. Central Processing Unit (CPU). The rotary pulses of the shaft are transmitted and multiplied to drive the low —RPM DC generator. This rpm is achieved through a suitable cluster of multiple chains & sprockets and one-way ball bearings housed in the CPU. The said shafts holding the MS plates (Wings) are just spread over the lanes of road having been mounted on u-channel base frame: thus any sort of digging/damaging or making humps /bumps or speed-breaker are not required.

RPM =Revolutions Per Minute

DC = Direct Current

CPU = Central Processing Unit

MS = Mild Steel



**PROCEEDING UNDER SECTION 54(1) RULE 36(1) FOR CHANGE OF ADDRESS IN THE REGISTER OF PATENTS.**

In the matter of Patent No. 142655 dated 5th October, 2012, Priority Date: 7th October, 2011 (USA) Granted to:- AMERICAN PACIFIC CORPORATION., a company organized and existing under the laws of the United States of America, of 3883 Howard Hughes Parkway, Suite 700, Las Vegas, NV 89169, United States of America.

In pursuance of an application received on 3rd April, 2019.

The following entry has been made in the Register of Patents:-

The name of the patentee has been changed to:-“10622 W 6400 N Cedar City, Utah 84721-9016, USA.”

**PROCEEDING UNDER SECTION 54(1) RULE 36(1) FOR CHANGE OF ADDRESS IN THE REGISTER OF PATENTS.**

In the matter of Patent No. 142730 dated 8th December, 2011, Priority Date: 10th December, 2010 (USA) Granted to:- AMERICAN PACIFIC CORPORATION., a company organized and existing under the laws of the United States of America, of 3883 Howard Hughes Parkway, Suite 700, Las Vegas, NV 89169, United States of America In pursuance of an application received on 3rd April, 2019.

The following entry has been made in the Register of Patents:-

The name of the patentee has been changed to:-“10622 W 6400 N Cedar City, Utah 84721-9016, USA.”

**REGISTRATION OF ASSIGNMENT/MERGER UNDER SECTION 55(2) SECTION 37 (b) OF THE PATENTS ORDINANCE 2000**

In the matter of Patent No. 142487 of 28th October, 2010 Priority date 30th October, 2009 (USA). Granted to: - ESCO CORPORATION (a USA Corporation), of 2141 NW 25th Avenue, Portland, Oregon 97210, U.S.A.

In pursuance of an application received on 12th March, 2019.

The following entry has been made in the Register of Patents:-

ESCO Group LLC (a Delaware limited liability company), of 2141 NW 25th Avenue, Portland, Oregon 97210, U.S.A, as proprietor by virtue of merger of ESCO CORPORATION.,into ESCO Group LLC are so entitled by virtue of Deed of Merger dated: 11th July, 2018.

**REGISTRATION OF ASSIGNMENT/MERGER UNDER SECTION 55(2) SECTION 37 (b) OF THE PATENTS ORDINANCE 2000**

In the matter of Patent No. 142937 of 6th April, 2012 Priority date 6th April, 2011 (USA). Granted to: - ESCO CORPORATION (a USA Corporation), of 2141 NW 25th Avenue, Portland, Oregon 97210, U.S.A.

In pursuance of an application received on 12th March, 2019.

The following entry has been made in the Register of Patents:-

ESCO Group LLC (a Delaware limited liability company), of 2141 NW 25th Avenue, Portland, Oregon 97210, U.S.A, as proprietor by virtue of merger of ESCO CORPORATION.,into ESCO Group LLC are so entitled by virtue of Deed of Merger dated: 11th July, 2018.

**REGISTRATION OF ASSIGNMENT/MERGER UNDER SECTION 55(2) SECTION 37 (b) OF THE PATENTS ORDINANCE 2000**

In the matter of Patent No. 142664 of 15th February, 2007 Priority date 17th February, 2006 (USA). Granted to: - ESCO CORPORATION (a USA Corporation), of 2141 NW 25th Avenue, Portland, Oregon 97210, U.S.A.

In pursuance of an application received on 12th March, 2019.

The following entry has been made in the Register of Patents:-

ESCO Group LLC (a Delaware limited liability company), of 2141 NW 25th Avenue, Portland, Oregon 97210, U.S.A, as proprietor by virtue of merger of ESCO CORPORATION.,into ESCO Group LLC are so entitled by virtue of Deed of Merger dated: 11th July, 2018.

**PROCEEDING UNDER SECTION 54(1) RULE 36(1) FOR CHANGE OF ADDRESS IN THE REGISTER OF PATENTS.**

In the matter of Patent No. 142232 dated 28th March, 2011, Priority Date: 30th March, 2010 (USA) Granted to: - Merck Canada Inc., a Canadian Company of 16711 Trans-Canada Highway, Kirkland, QC H9H 3L1, Canada..

In pursuance of an application received on 19th February, 2019.

The following entry has been made in the Register of Patents:-

The address of the patentee has been changed to:-“a company organized and existing under the laws of Canada, of 16750 Trans-Canada highway, Kirkland, Quebec, H9H 4M7, Canada.”

**REGISTRATION OF ASSIGNMENT/MERGER UNDER SECTION 55(2) SECTION 37 (b) OF THE PATENTS ORDINANCE 2000**

In the matter of Patent No. 140530 of 10th May, 2007 Priority date 12th May, 2006 (Europe). Granted to: - SICPA HOLDING S.A., of Avenue De Florissant 41 1008 Prilly Switzerland.

In pursuance of an application received on 23rd June, 2011.

The following entry has been made in the Register of Patents:-

NOMA Holding S.A., a company incorporate in Switzerland and having its registered office at Domaine de Bougy, c/o Mr. Phillippe Amon, 1170 Abbonne, Switzerland, as proprietor by virtue of Deed of Assignment dated 26th July, 2007 made between SICPA HOLDING S.A., as Assignor of the One Part and NOMA Holding S.A., as assignee of the Other Part.

**PROCEEDING UNDER SECTION 54(1) RULE 36(1) FOR CHANGE OF ADDRESS FOR SERVICE IN THE REGISTER OF PATENTS.**

In the matter of Patent No. 140530 dated 10th May, 2007, Priority Date: 12th May, 2006 (Europe) Granted to:- SICPA HOLDING SA, a company organized and existing under the laws of Switzerland, of Avenue de Florissant 41, 1008 Prilly, Switzerland.

In pursuance of an application received on 12th April, 2019.

The following entry has been made in the Register of Patents:-

The address for service of the patentee has been changed to:- "M/s. Meer & Hassan, The International Trademark & Patent Services, 1-Farid Kot Road, Lahore-54000. (Pakistan)"

**REGISTRATION OF ASSIGNMENT UNDER SECTION 55(2) SECTION 37 (b) OF THE PATENTS ORDINANCE 2000**

In the matter of Patent No. 137462 of 18th October, 2000 Priority date 20th October, 1999 (Japan). Granted to: - ALTANA PHARMA AG. (a German Company), of Byk-Gulden-Str.2 DE-78467 Konstanz, GERMANY. And later on whose name was changed to: Takeda GmbH.

In pursuance of an application received on 27th December, 2016.

The following entry has been made in the Register of Patents:-

AstraZeneca AB, of SE 151 85 Sodertalje, Sweden, As as proprietor by virtue of Deed of Assignment dated 29th April, 2016 made between Takeda GmbH as Assignor of the One Part and AstraZeneca AB as assignee of the Other Part.

**REGISTRATION OF ASSIGNMENT UNDER SECTION 55(2) SECTION 37 (b) OF THE PATENTS ORDINANCE 2000**

In the matter of Patent No. 137477 of 18th October, 2000 Priority date 20th October, 1999 (Japan). Granted to: - Altana Pharma AG., and later on assigned to AstraZeneca AB, of SE 151 85 Sodertalje, Sweden.

In pursuance of an application received on 30th April, 2019.

The following entry has been made in the Register of Patents:-

Covis Pharma B.V., of Grafenauweg 12, CH-6300 Zug, Switzerland., as proprietor by virtue of Deed of Assignment dated 4th December, 2018 made between AstraZeneca AB as Assignor of the One Part and Covis Pharma B.V., as assignee of the Other Part.

**PROCEEDING UNDER SECTION 54(1) RULE 36(1) FOR CHANGE OF ADDRESS FOR SERVICE IN THE REGISTER OF PATENTS.**

In the matter of Patent No. 140530 dated 10th May, 2007, Priority Date: 12th May, 2006 (Europe) Granted to:- SICPA HOLDING SA, a company organized and existing under the laws of Switzerland, of Avenue de Florissant 41, 1008 Prilly, Switzerland.

In pursuance of an application received on 12th April, 2019.

The following entry has been made in the Register of Patents:-

The address for service of the patentee has been changed to:- "M/s. Meer & Hassan, The International Trademark & Patent Services, 1-Farid Kot Road, Lahore-54000. (Pakistan)"

**PROCEEDING UNDER SECTION 54(1) RULE 36(1) FOR CHANGE OF ADDRESS FOR SERVICE IN THE REGISTER OF PATENTS.**

In the matter of Patent No. 142167 dated 22nd September, 2011, Priority Date: 24th September, 2010 (Europe) Granted to:- SICPA HOLDING SA, a company organized and existing under the laws of Switzerland, of Avenue de Florissant 41, 1008 Prilly, Switzerland.

In pursuance of an application received on 12th April, 2019.

The following entry has been made in the Register of Patents:-

The address for service of the patentee has been changed to:- "M/s. Meer & Hassan, The International Trademark & Patent Services, 1-Farid Kot Road, Lahore-54000. (Pakistan)".

**PROCEEDING UNDER SECTION 54(1) RULE 36(1)  
FOR CHANGE OF ADDRESS FOR SERVICE IN THE  
REGISTER OF PATENTS.**

In the matter of Patent No. 142182 dated 25th May, 2012, Priority Date: 27th May, 2011 (USA) Granted to:- SICPA HOLDING SA, a company organized and existing under the laws of Switzerland, of Avenue de Florissant 41, 1008 Prilly, Switzerland.

In pursuance of an application received on 12th April, 2019.

The following entry has been made in the Register of Patents:-

The address for service of the patentee has been changed to:- "M/s. Meer & Hassan, The International Trademark & Patent Services, 1-Farid Kot Road, Lahore-54000. (Pakistan)"

**PROCEEDING UNDER SECTION 54(1) RULE 36(1) FOR  
CHANGE OF ADDRESS FOR SERVICE IN THE  
REGISTER OF PATENTS.**

In the matter of Patent No. 142279 dated 7th August, 2009, Priority Date: 14th October, 2008 (Europe) Granted to:- SICPA HOLDING SA, a company organized and existing under the laws of Switzerland, of Avenue de Florissant 41, 1008 Prilly, Switzerland.

In pursuance of an application received on 12th April, 2019.

The following entry has been made in the Register of Patents:-

The address for service of the patentee has been changed to:- "M/s. Meer & Hassan, The International Trademark & Patent Services, 1-Farid Kot Road, Lahore-54000. (Pakistan)"

**PROCEEDING UNDER SECTION 54(1) RULE 36(1) FOR  
CHANGE OF ADDRESS FOR SERVICE IN THE  
REGISTER OF PATENTS.**

In the matter of Patent No. 142932 dated 4th August, 2014, Priority Date: 5th August, 2013 (Europe) Granted to:- SICPA HOLDING SA, a company organized and existing under the laws of Switzerland, of Avenue de Florissant 41, 1008 Prilly, Switzerland.

In pursuance of an application received on 12th April, 2019.

The following entry has been made in the Register of Patents:-

The address for service of the patentee has been changed to:- "M/s. Meer & Hassan, The International Trademark & Patent Services, 1-Farid Kot Road, Lahore-54000. (Pakistan)".

**PROCEEDING UNDER SECTION 54(1) RULE 36(1)  
FOR CHANGE OF ADDRESS FOR SERVICE IN THE  
REGISTER OF PATENTS.**

In the matter of Patent No. 142290 dated 2nd July, 2014 (Ante Date: 7th August, 2009), Priority Date: 14th October, 2008 (Switzerland) Granted to:- SICPA HOLDING SA, a company organized and existing under the laws of Switzerland, of Avenue de Florissant 41, 1008 Prilly, Switzerland.

In pursuance of an application received on 12th April, 2019.

The following entry has been made in the Register of Patents:-

The address for service of the patentee has been changed to:- "M/s. Meer & Hassan, The International Trademark & Patent Services, 1-Farid Kot Road, Lahore-54000. (Pakistan)"

**PROCEEDING UNDER SECTION 54(1) RULE 36(1)  
FOR CHANGE OF ADDRESS FOR SERVICE IN THE  
REGISTER OF PATENTS.**

In the matter of Patent No. 142343 dated 27th September, 2007, Priority Date: 17th October, 2006 (Switzerland) Granted to:- SICPA HOLDING SA, a company organized and existing under the laws of Switzerland, of Avenue de Florissant 41, 1008 Prilly, Switzerland.

In pursuance of an application received on 12th April, 2019.

The following entry has been made in the Register of Patents:-

The address for service of the patentee has been changed to:- "M/s. Meer & Hassan, The International Trademark & Patent Services, 1-Farid Kot Road, Lahore-54000. (Pakistan)"

**PROCEEDING UNDER SECTION 54(1) RULE 36(1)  
FOR CHANGE OF ADDRESS FOR SERVICE IN THE  
REGISTER OF PATENTS.**

In the matter of Patent No. 142559 dated 9th April, 2010, Priority Date: 9th April, 2009 (Switzerland) Granted to:- SICPA HOLDING SA, a company organized and existing under the laws of Switzerland, of Avenue de Florissant 41, 1008 Prilly, Switzerland.

In pursuance of an application received on 12th April, 2019.

The following entry has been made in the Register of Patents:-

The address for service of the patentee has been changed to:- "M/s. Meer & Hassan, The International Trademark & Patent Services, 1-Farid Kot Road, Lahore-54000. (Pakistan)".

**PROCEEDING UNDER SECTION 54(1) RULE 36(1)  
FOR CHANGE OF ADDRESS FOR SERVICE IN THE  
REGISTER OF PATENTS.**

In the matter of Patent No. 142644 dated 25th October, 2013, Priority Date: 29th October, 2012 (Europe) Granted to:- SICPA HOLDING SA, a company organized and existing under the laws of Switzerland, of Avenue de Florissant 41, 1008 Prilly, Switzerland.

In pursuance of an application received on 12th April, 2019.

The following entry has been made in the Register of Patents:-

The address for service of the patentee has been changed to:- "M/s. Meer & Hassan, The International Trademark & Patent Services, 1-Farid Kot Road, Lahore-54000. (Pakistan)"

**PROCEEDING UNDER SECTION 54(1) RULE 36(1)  
FOR CHANGE OF ADDRESS FOR SERVICE IN THE  
REGISTER OF PATENTS.**

In the matter of Patent No. 142991 dated 2nd October, 2014, Priority Date: 4th October, 2013 (USA) Granted to:- SICPA HOLDING SA, a company organized and existing under the laws of Switzerland, of Avenue de Florissant 41, 1008 Prilly, Switzerland.

In pursuance of an application received on 12th April, 2019.

The following entry has been made in the Register of Patents:-

The address for service of the patentee has been changed to:- "M/s. Meer & Hassan, The International Trademark & Patent Services, 1-Farid Kot Road, Lahore-54000. (Pakistan)"

**PROCEEDING UNDER SECTION 54(1) RULE 36(1)  
FOR CHANGE OF ADDRESS FOR SERVICE IN THE  
REGISTER OF PATENTS.**

In the matter of Patent No. 138241 dated 3rd October, 2002, Priority Date: 4th October, 2001 (Denmark) Granted to:- H. LUNDBECK A/S, Ottiliavej 9 DK-2500 Valby-Copenhagen, Denmark.

In pursuance of an application received on 26th June, 2019.

The following entry has been made in the Register of Patents:-

The address of the patentee has been changed to:- "of Ottiliavej 9, 2500 valby, Denmark."

**PROCEEDING UNDER SECTION 54(1) RULE 36(1)  
FOR CHANGE OF ADDRESS FOR SERVICE IN THE  
REGISTER OF PATENTS.**

In the matter of Patent No. 143084 dated 18th December, 2012, Priority Date: 20th December, 2011

(Germany) Accepted in the name of:- Dometic S.a.r.l., a company organized and existing under the laws of Luxembourg, of 17, op der Hei, 9808 Hosingen, Luxembourg.

In pursuance of an application received on 8th April, 2019.

The following entry has been made in the Register of Patents:-

The Name of the patentee has been changed to:- "B MEDICAL SYSTEMS S.a.r.l."

**REGISTRATION OF ASSIGNMENT UNDER  
SECTION 55 OF THE PATENTS ORDINANCE 2000.**

In the matter of Patent No. 142108 of 8th June, 2010 Priority date 8th June, 2009 (USA). Granted to: - Abbott GmbH & Co. KG (a German company), of Max-Planck-Ring 2, 65205 Wiesbaden, Germany.

In pursuance of an application received on 16th July, 2019.

The following entry has been made in the Register of Patents:-

AbbVie Deutschland GmbH & Co. KG (a German company), of Mainzer Str. 18, 65189 Wiesbaden, Germany, as proprietor by virtue of Deed of Assignment dated 27th April, 2015 made between Abbott GmbH & Co. KG, as Assignor of the One Part and AbbVie Deutschland GmbH & Co. KG, as assignee of the Other Part

**REGISTRATION OF ASSIGNMENT UNDER  
SECTION 55 OF THE PATENTS ORDINANCE 2000.**

In the matter of Patent No. 143051 of 17th November, 2016 Priority date 26th June, 2009 (USA). Granted to: - PFIZER INC., (a corporation organized under the laws of the State of Delaware, United States of America), of 235 East 42nd Street, New York, New York 10017, United States of America.

In pursuance of an application received on 29th July, 2019.

The following entry has been made in the Register of Patents:-

Biogen MA Inc. (a corporation organized under the laws of the Commonwealth of Massachusetts, USA), of 225 Binney Street Cambridge, Massachusetts 02142, United States of America, as proprietor by virtue of Deed of Merger dated 24th April, 2018 made between PFIZER INC., as Assignor of the One Part and Biogen MA Inc., as assignee of the Other Part.

**REGISTRATION OF ASSIGNMENT UNDER  
SECTION 55 OF THE PATENTS ORDINANCE 2000.**

In the matter of Patent No. 143038 of 24th June, 2010 Priority date 26th June, 2009 (USA). Granted to: - PFIZER INC., (a corporation organized under the laws of the State of Delaware, United States of America), of 235 East 42nd Street, New York, New York 10017, United States of America.

In pursuance of an application received on 29th July, 2019.

The following entry has been made in the Register of Patents:-

Biogen MA Inc. (a corporation organized under the laws of the Commonwealth of Massachusetts, USA), of 225 Binney Street Cambridge, Massachusetts 02142, United States of America, as proprietor by virtue of Deed of Merger dated 24th April, 2018 made between PFIZER INC., as Assignor of the One Part and Biogen MA Inc., as assignee of the Other Part.

**REGISTRATION OF ASSIGNMENT/MERGER UNDER SECTION 55(2) SECTION 37 (b) OF THE PATENTS ORDINANCE 2000**

In the matter of Patent No. 138871 of 25th March, 2004 Priority date 27th March, 2003 (Europe). Granted to: - Altana Pharma AG, and later on assigned to: AstraZeneca AB, of SE 1 5 1 85Sodertalje, Sweden.

In pursuance of an application received on 30th April, 2019.

The following entry has been made in the Register of Patents:-

Covis Pharma B.V., of Grafenauweg 12, CH-6300 Zug, Switzerland., as proprietor by virtue of Deed of Assignment dated 4th December, 2018 made between AstraZeneca AB, as Assignor of the ONE PART and Covis Pharma B.V., as assignee of the OTHER PART.

**REGISTRATION OF ASSIGNMENT UNDER SECTION 55 OF THE PATENTS ORDINANCE 2000.**

In the matter of Patent No. 139109 of 14th December, 2004 Priority date 16th December, 2003 (Europe). Granted to: - Altana Pharma AG, and later on assigned to: AstraZeneca AB, of SE 1 5 1 85Sodertalje, Sweden.

In pursuance of an application received on 30th April, 2019.

The following entry has been made in the Register of Patents:-

Covis Pharma B.V., of Grafenauweg 12, CH-6300 Zug, Switzerland., as proprietor by virtue of Deed of Assignment dated 4th December, 2018 made between AstraZeneca AB, as Assignor of the ONE PART and Covis Pharma B.V., as assignee of the OTHER PART.

**REGISTRATION OF ASSIGNMENT UNDER SECTION 55(2) SECTION 37 (b) OF THE PATENTS ORDINANCE 2000**

In the matter of Patent No. 140457 of 30th May, 2008 (Priority date 31st May, 2007 France) Granted to:- ARJOWIGGINS LICENSING OF 117 QUIA DU PRESEDENT ROOSEVELT 92130 ISSY LES MOULINEAUX-

FRANCE, and later on assigned to ARJOWIGGINS SECURITY, a "societe par actios simpliffee" duly organized and existing under the laws of France.

In pursuance of an application received on 6th August, 2019.

The following entry has been made in the Register of Patents:-

OBERTHUR FIDUCIAIRE SAS (a French company registered under No 519 029 565), Located at 7 avenue de Messine, 75008, PARIS - FRANCE as proprietor by virtue of Deed of Assignment dated: 7th January, 2019 made between, ARJOWIGGINS SECURITY, as Assignor of the one part and, OBERTHUR FIDUCIAIRE SAS as Assignee of the other parts.

**REGISTRATION OF ASSIGNMENT UNDER SECTION 55 OF THE PATENTS ORDINANCE 2000.**

In the matter of Patent No. 140457 of 30th May, 2008 (Priority date 31st May, 2007 France) Granted to:- ARJOWIGGINS LICENSING OF 117 QUIA DU PRESEDENT ROOSEVELT 92130 ISSY LES MOULINEAUX-FRANCE, and later on assigned to ARJOWIGGINS SECURITY, and again assigned to: OBERTHUR FIDUCIAIRE SAS (a French company registered under No 519 029 565), Located at 7 avenue de Messine, 75008, PARIS - FRANCE

In pursuance of an application received on 6th August, 2019.

The following entry has been made in the Register of Patents:-

OBERTHUR FIDUCIAIRE SAS (a French company registered under No 803 311 372), Located at 7 avenue de Messine, 75008, PARIS - FRANCE as proprietor by virtue of Deed of Assignment dated 7th January, 2019 made between, OBERTHUR FIDUCIAIRE SAS (a French company registered under No 519 029 565), as Assignor of the one part and, OBERTHUR FIDUCIAIRE SAS (a French company registered under No 803 311 372), as Assignee of the other parts.

**REGISTRATION OF ASSIGNMENT/MERGER UNDER SECTION 55(2) SECTION 37 (b) OF THE PATENTS ORDINANCE 2000**

In the matter of Patent No. 143001 of 3rd May, 2013 Priority date 7th May, 2012 (Europe). Accepted in the name of: - AMMONIA CASALE SA, a Swiss Company, of Via Giulio Pocobelli 6, CH-6900 Lugano-Besso, Switzerland.

In pursuance of an application received on 4th March, 2019.

The following entry has been made in the Register of Patents:-

CASALE SA, of Via Pocobelli 6, 6900 Lugano, Switzerland., as proprietor by virtue of Deed of Assignment dated 24th April, 2014 made between AMMONIA CASALE SA, as Assignor of the ONE PART and CASALE SA., as assignee of the OTHER PART.

**PROCEEDING UNDER RULE 36(1) FOR CHANGE OF NAME IN THE REGISTER OF PATENTS.**

In the matter of Patent No. 142591, dated : 07th February, 2015 Priority date 17th February, 2014(EP) Granted to :- Dometic S.a.r.l., of 17, op der Hei, 9808 Hosingen, Luxembourg,.

In pursuance of an application received on 8th April, 2019.

The following entry has been made in the Register of Patents. The Name of the Patentee has been changed to: "B Medical Systems S.a.r.l."

**REGISTRATION OF ASSIGNMENT UNDER SECTION 55 OF THE PATENTS ORDINANCE 2000.**

In the matter of Patent No. 143112 of 2nd July, 2011 Priority date 6th July, 2010 (Europe). Accepted in the name of: - AMMONIA CASALE SA, a Swiss Company, of Via Giulio Pocobelli 6, CH-6900 Lugano-Besso, Switzerland.

In pursuance of an application received on 20th May, 2019.

The following entry has been made in the Register of Patents:-

CASALE SA, of Via Pocobelli 6, 6900 Lugano, Switzerland., as proprietor by virtue of merger of AMMONIA CASALE SA., into CASALE SA according to the Merger Agreement dated: 24th April, 2014.

**PROCEEDING UNDER SECTION 54(1) RULE 36(1) FOR CHANGE OF ADDRESS FOR SERVICE IN THE REGISTER OF PATENTS.**

In the matter of Patent No. 143147 dated 3rd May, 2006, Accepted in the name of:- BP Corporation North America Inc, A corporation organized under the laws of the State of Indiana, of 14101 Winfield Road, Warrenville, Illinois 60555 United States of America.

In pursuance of an application received on 30th September, 2019.

The following entry has been made in the Register of Patents:-

The address of the patentee has been changed to:- "501 Westlake Park Boulevard, Houston, TX 77079, United States of America."

**PROCEEDING UNDER SECTION 54(1) RULE 36(1) FOR CHANGE OF ADDRESS FOR SERVICE IN THE REGISTER OF PATENTS.**

In the matter of Patent No. 143148 dated 3rd May, 2006, Accepted in the name of:- BP Corporation North America Inc, A corporation organized under the laws of the State of Indiana, of 14101 Winfield Road, Warrenville, Illinois 60555 United States of America.

In pursuance of an application received on 30th September, 2019.

The following entry has been made in the Register of Patents:-

The address of the patentee has been changed to:- "501 Westlake Park Boulevard, Houston, TX 77079, United States of America."

**PROCEEDING UNDER SECTION 54(1) RULE 36(1) FOR CHANGE OF ADDRESS FOR SERVICE IN THE REGISTER OF PATENTS.**

In the matter of Patent No. 142991 dated 2nd October, 2014, Priority Date: 4th October, 2013 (USA) Granted to:- SICPA HOLDING SA, a company organized and existing under the laws of Switzerland, of Avenue de Florissant 41, 1008 Prilly, Switzerland.

In pursuance of an application received on 12th April, 2019.

The following entry has been made in the Register of Patents:-

The address for service of the patentee has been changed to:- "M/s. Meer & Hassan, The International Trademark & Patent Services, 1-Farid Kot Road, Lahore-54000. (Pakistan)".

**PROCEEDING UNDER SECTION 54(1) RULE 36(1) FOR CHANGE OF ADDRESS FOR SERVICE IN THE REGISTER OF PATENTS.**

In the matter of Patent No. 142930 dated 25th June, 2007, Priority Date: 27th June, 2006 (Europe) Granted to:- SICPA HOLDING SA, a company organized and existing under the laws of Switzerland, of Avenue de Florissant 41, 1008 Prilly, Switzerland.

In pursuance of an application received on 12th April, 2019.

The following entry has been made in the Register of Patents:-

The address for service of the patentee has been changed to:- "M/s. Meer & Hassan, The International Trademark & Patent Services, 1-Farid Kot Road, Lahore-54000. (Pakistan)"



**REGISTRATION OF ASSIGNMENT UNDER  
SECTION 55 OF THE PATENTS ORDINANCE 2000.**

In the matter of Patent No. 142291 of 11th August, 2014 Priority date 24th January, 2011 (Europe). Granted to:- BOEHRINGER INGELHEIM INTERNATIONAL GmbH, a body corporate organized and existing under the laws of Germany, of Binger Strasse 173, 55216 Ingelheim am Rhein, Germany.

In pursuance of an application received on 14th October, 2019.

The following entry has been made in the Register of Patents:-

Actimis Pharmaceuticals, Inc., a Delaware Corporation, of c/o. Sanderling Ventures, 400 S. E1 Camino Real, Suite 1200, San Mateo, CA 94402, USA, as proprietor by virtue of Deed of Assignment dated 10th January, 2017 made between BOEHRINGER INGELHEIM INTERNATIONAL GmbH as Assignor of the One Part and Actimis Pharmaceuticals, Inc., as assignee of the Other Part.

**PROCEEDING UNDER SECTION 54(1) RULE 36(1)  
FOR CHANGE OF ADDRESS FOR SERVICE IN THE  
REGISTER OF PATENTS.**

In the matter of Patent No. 142291 dated 11th August, 2014, Priority Date: 24/1/2011(Europe) Granted to:- BOEHRINGER INGELHEIM INTERNATIONAL GmbH, a body corporate organized and existing under the laws of Germany, of Binger Strasse 173, 55216 Ingelheim am Rhein, Germany, and later on assigned to: Actimis Pharmaceuticals, Inc, and again name was changed to: GB007. Inc.

In pursuance of an application received on 14th October, 2019.

The following entry has been made in the Register of Patents:-

The address of the patentee has been changed to:-3013 Science Park Road, Suite 200, San Diego, CA 92121, USA.

**PROCEEDING UNDER SECTION 54(1) RULE 36(1)  
FOR CHANGE OF ADDRESS FOR SERVICE IN THE  
REGISTER OF PATENTS.**

In the matter of Patent No. 142291 dated 11th August, 2014, Priority Date: 24th January, 2011 (Europe) Granted to:- BOEHRINGER INGELHEIM INTERNATIONAL GmbH, a body corporate organized and existing under the laws of Germany, of Binger Strasse 173, 55216 Ingelheim am Rhein, Germany, and later on assigned to: Actimis Pharmaceuticals, Inc,

In pursuance of an application received on 14th October, 2019.

The following entry has been made in the Register of Patents:-

The name patentee has been changed to:-GB007. Inc.

**REGISTRATION OF ASSIGNMENT UNDER  
SECTION 55 OF THE PATENTS ORDINANCE 2000.**

In the matter of Patent No. 143170 of 21st January, 2013 Priority date 23rd January, 2012 (Europe). Accepted in the name of: - METHANOL CASALE SA, a Swiss Company, of Via Giulio Pocobelli 6, CH-6900 Lugano-Besso, Switzerland.

In pursuance of an application received on 23rd July, 2019.

The following entry has been made in the Register of Patents:-

CASALE SA, of Via Pocobelli 6, 6900 Lugano, Switzerland., as proprietor by virtue of merger of AMMONIA CASALE SA.,into CASALE SA according to the Merger Agreement dated: 24th April, 2014.

**REGISTRATION OF ASSIGNMENT UNDER  
SECTION 55 OF THE PATENTS ORDINANCE 2000.**

In the matter of Patent No. 142896 of 26th January, 2011 Priority date 27th January, 2010 (Europe). Granted to:- BOEHRINGER INGELHEIM INTERNATIONAL GmbH, a body corporate organized and existing under the laws of Germany, of Binger Strasse 173, 55216 Ingelheim am Rhein, Germany.

In pursuance of an application received on 14th October, 2019.

The following entry has been made in the Register of Patents:-

Actimis Pharmaceuticals, Inc., a Delaware Corporation, of c/o. Sanderling Ventures, 400 S. E1 Camino Real, Suite 1200, San Mateo, CA 94402, USA, as proprietor by virtue of Deed of Assignment dated 10th January, 2017 made between BOEHRINGER INGELHEIM INTERNATIONAL GmbH as Assignor of the One Part and Actimis Pharmaceuticals, Inc., as assignee of the Other Part.

**PROCEEDING UNDER SECTION 54(1) RULE 36(1)  
FOR CHANGE OF ADDRESS FOR SERVICE IN THE  
REGISTER OF PATENTS.**

In the matter of Patent No. 142896 dated 26th January, 2011, Priority Date: 27th January, 2010 (Europe) Granted to:- BOEHRINGER INGELHEIM INTERNATIONAL GmbH, a body corporate organized and existing under the laws of Germany, of Binger Strasse 173, 55216 Ingelheim am Rhein, Germany, and later on assigned to: Actimis Pharmaceuticals, Inc,

In pursuance of an application received on 14th October, 2019.

The following entry has been made in the Register of Patents:-

The name patentee has been changed to:-GB007. Inc.

**PROCEEDING UNDER SECTION 54(1) RULE 36(1)  
FOR CHANGE OF ADDRESS FOR SERVICE IN THE  
REGISTER OF PATENTS.**

In the matter of Patent No. 142896 dated 26th January, 2011, Priority Date: 27th January, 2010(Europe) Granted to:- BOEHRINGER INGELHEIM INTERNATIONAL GmbH, a body corporate organized and existing under the laws of Germany, of Binger Strasse 173, 55216 Ingelheim am Rhein, Germany, and later on assigned to: Actimis Pharmaceuticals, Inc, and again name was changed to: GB007. Inc

In pursuance of an application received on 14th October, 2019.

The following entry has been made in the Register of Patents:-

The address of the patentee has been changed to :- 3013 Science Park Road, Suite 200, San Diego, CA 92121, USA.

**REGISTRATION OF ASSIGNMENT UNDER  
SECTION 55 OF THE PATENTS ORDINANCE 2000.**

In the matter of Patent No. 142285 of 20th January, 2012 Priority date 24th January, 2011 (Europe). Granted to:- BOEHRINGER INGELHEIM INTERNATIONAL GmbH, a body corporate organized and existing under the laws of Germany, of Binger Strasse 173, 55216 Ingelheim am Rhein, Germany.

In pursuance of an application received on 14th October, 2019.

The following entry has been made in the Register of Patents:-

Actimis Pharmaceuticals, Inc., a Delaware Corporation, of c/o. Sanderling Ventures, 400 S. E1 Camino Real, Suite 1200, San Mateo, CA 94402, USA, as proprietor by virtue of Deed of Assignment dated 10th January, 2017 made between BOEHRINGER INGELHEIM INTERNATIONAL GmbH as Assignor of the One Part and Actimis Pharmaceuticals, Inc., as assignee of the Other Part.

**PROCEEDING UNDER SECTION 54(1) RULE 36(1)  
FOR CHANGE OF ADDRESS FOR SERVICE IN THE  
REGISTER OF PATENTS.**

In the matter of Patent No. 142285 dated 20th January, 2012, Priority Date: 24th January, 2011 (Europe) Granted to:- BOEHRINGER INGELHEIM INTERNATIONAL GmbH, a body corporate organized and existing under the laws of Germany, of Binger Strasse 173, 55216 Ingelheim am Rhein, Germany, and later on assigned to: Actimis Pharmaceuticals, Inc, and again name was changed to: GB007. Inc.

In pursuance of an application received on 14th October, 2019.

The following entry has been made in the Register of Patents:-

The address of the patentee has been changed to:- 3013 Science Park Road, Suite 200, San Diego, CA 92121, USA

**PROCEEDING UNDER SECTION 54(1) RULE 36(1)  
FOR CHANGE OF ADDRESS FOR SERVICE IN THE  
REGISTER OF PATENTS.**

In the matter of Patent No. 142285 dated 20th January, 2012, Priority Date: 24th January, 2011 (Europe) Granted to:- BOEHRINGER INGELHEIM INTERNATIONAL GmbH, a body corporate organized and existing under the laws of Germany, of Binger Strasse 173, 55216 Ingelheim am Rhein, Germany, and later on assigned to: Actimis Pharmaceuticals, Inc,

In pursuance of an application received on 14th October, 2019.

The following entry has been made in the Register of Patents:-

The name patentee has been changed to:-GB007. Inc.

**REGISTRATION OF ASSIGNMENT/MERGER UNDER  
SECTION 55(2) SECTION 37 (b) OF THE PATENTS  
ORDINANCE 2000**

In the matter of Patent No. 135103 of 28th January, 1996, Granted to:- BASF AKTIENGESSELLSCHAFT (a German Joint Stock Company Organized and existing under the laws of the Federal Republic of Germany), of 67056 Ludwigshafen, Germany. And later on assigned to: Dystar Textilfarben GmbH & Co. Deutschland KG.

In pursuance of an application received on 5th April, 2011.

The following entry has been made in the Register of Patents:-

Dystar Colours Deutschland GmbH (a German Company), of Industriepark Hoechst, Building B 598, 65926 frankfurt am Main, Germany., as proprietor by virtue of Deed of Assignment dated 21/10/2010 made between Dystar Textilfarben GmbH & Co. Deutschland KG, as Assignor of the ONE PART and Dystar Colours Deutschland GmbH, the Assignee of the OTHER PART.

**REGISTRATION OF ASSIGNMENT UNDER  
SECTION 55 OF THE PATENTS ORDINANCE 2000.**

In the matter of Patent No. 140884 of 17th March, 2007 Priority date 21st March, 2006 (Europe). Granted to:-Bayer BioScience N.V. (a Belgian company), of Technologiepark 38, BE-9052 Gent, Belgium. And later on whose name was changed to: Bayer CropScience N.V.,

In pursuance of an application received on 24th February, 2020.

The following entry has been made in the Register of Patents:-

BASF Agriculture Solutions Seed US LLC, of 100 Park Avenue, Florham Park, 07932, New Jersey, United States of America. as proprietor by virtue of Deed of Assignment dated 1st August, 2018 made between Bayer CropScience N.V., as Assignor of the One Part and BASF Agriculture Solutions Seed US LLC., as assignee of the Other Part.

Hovione International Limited, a company registered in Hong Kong, of Aubin House, 11th Floor, 171-172 Gloucester Road, Wanchai, Hong Kong.

In pursuance of an application received on 21st January, 2020.

The following entry has been made in the Register of Patents:-

Hovione Holding Limited, 11/F Aubin House, 171-2 Gloucester Road, Wanchai, Hong Kong as proprietor by virtue of merger between Hovione International Limited., and Hovione Holding Limited effective as of September 01, 2016.

**REGISTRATION OF ASSIGNMENT/MERGER UNDER SECTION 55(2) SECTION 37 (b) OF THE PATENTS ORDINANCE 2000**

In the matter of Patent No. 141267 of 11th May, 2007 Priority date 16th May, 2006 (Portugal). Granted to: -

**NEW APPLICATIONS FOR THE INDUSTRIAL DESIGNS**

| S. No.                 | Design No. | Title & Class                  | Applicant                               |
|------------------------|------------|--------------------------------|---|
| <b>30th June, 2020</b> |            |                                |   |
| 1.                     | 20438      | MOBILE TELEPHONE<br>(Class-03) | SHENZHEN TRANSSION HOLDINGS<br>Co. LTD. |
| <b>1st July, 2020</b>  |            |                                |   |
| 2.                     | 20439      | Chappal/Footwear<br>(Class-10) | Bata Pakistan Limited,                  |
| 3.                     | 20440      | Chappal/Footwear<br>(Class-10) | Bata Pakistan Limited,                  |
| 4.                     | 20441      | Chappal/Footwear<br>(Class-10) | Bata Pakistan Limited,                  |
| 5.                     | 20442      | Chappal/Footwear<br>(Class-10) | Bata Pakistan Limited,                  |
| 6..                    | 20443      | Bottle<br>(Class-03)           | Vini Cosmetics (Pvt.) Ltd,              |

DR. MUHAMMAD FAYYAZ AHMAD,  
Controller of Patents & Registrar of Designs.



**PUBLISHED BY AUTHORITY**

---

**KARACHI, WEDNESDAY, MARCH 3, 2021**

---

## **PART VI**

**Advertisements and Notices issued by Corporate Bodies and  
Private Individuals on payment**

**PUBLIC NOTICE**

**IN THE MATTER OF COMPANIES ACT, 2017 AND  
STAR SECURITIES (PRIVATE) LIMITED**  
(Under Members voluntary winding up)

It is hereby notified under section 374 of the Companies Act, 2017 that I have been appointed as the liquidator of the above named Company on a remuneration of rupees one hundred thousand only at the Extra Ordinary General Meeting of the Company duly convened and held at the Registered Office of the company situated at Haroon House, Dr. Ziauddin Ahmed Road, Karachi, on Monday March 04, 2019.

MUHAMMAD NAEEM TAHIR,  
S/o. Tahir Muhammad.  
Karachi.

---

### **CORRECTION OF NAME**

My correct name is Syed Muhammad Faizan Ahmed, instead of S. M. Faizan Ahmed. Kindly read, write and call me as per correct name.

SYED MUHAMMAD FAIZAN AHMED,  
S/o. Syed Hussain Ahmed.