

The Gazette of Pakistan

PUBLISHED BY AUTHORITY

No. 5]

KARACHI, WEDNESDAY, FEBRUARY 3, 2021

C O N T E N T S

	PAGES		PAGES
PART I — Notifications regarding appointments, promotions, etc., issued by Ministries/ Divisions of the Government of Pakistan, Department of the Auditor-General of Pakistan and the Supreme Court of Pakistan other than the Ministry of Defence and Ministry of Defence Production	125—140	PART IV — Notifications issued by the minor administrations and miscellaneous notification not included in any other part	11—12
PART II — Notifications issued by the Ministry of Defence and Ministry of Defence Production	27—31	PART V — Notifications etc., issued by The Patent Office.	33—35
PART III — Notifications issued by the High Courts, the Federal Public Service Commission and by the Attached and Subordinate Offices of the Government of Pakistan	67—79	PART VI — Advertisements and Notices issued by Corporate Bodies and Private Individuals on payment	-Nil-
		SUPPLEMENT NO.	
		Weekly, notification of cases and deaths from quarantinable diseases	

PART I

Notifications regarding appointments, promotions, etc. issued by Ministries/Divisions of the Government of Pakistan, Department of the Auditor-General of Pakistan and the Supreme Court of Pakistan other than the Ministry of Defence and Ministry of Defence Production

PRIME MINISTER'S OFFICE (INTERNAL)

Islamabad, the 11th January, 2021

No. 8(9)-Adm/2017.—In pursuance of the Office of Controller General of Accounts Letter No.15(CGA/Estt/Dep/SA-Jr. Auditors/2013/PF dated 7th January, 2021 and on the recommendations of the Departmental Promotion Committee, Mr. Muhammad Imran Khan, Senior Auditor of AGPR (BS-16) of the Office of AGPR holding appointment of Superintendent (BS-16) in this Office on deputation has assumed the charge of the same post in BS-17 with effect from 17th June, 2020.

Islamabad, the 12th January, 2021

No. 8(2)-Adm/2019.—The Competent Authority has been pleased to extend the contractual appointment of

Syed Inam Ullah Shah, Comptroller Household (BS-18) for a further period of two years with effect from 1st February, 2021 on the same terms and conditions as already accepted by him.

MANSOOR AHMAD,
Assistant Secretary.

Islamabad, the 11th January, 2021

No. 8(6)-Adm/2018.—With the approval of Military Secretary to the Prime Minister, Mr. Mansoor Ahmad, Assistant Secretary (Accounts) (BS-18) in this Office has been appointed to hold Additional Charge of the vacant identical post of Assistant Secretary (Admn.) (BS-18) in addition to his own duties for a period of 3 months with effect from 1st January, 2021 or till the posting of regular Officer, whichever comes earlier.

(125)

The Officer is allowed to draw Special Pay at the rate of 20% of the Basic Pay subject to maximum of Rs.12,000/- per month in terms of Finance Division O.M. No.1(2)Imp/2016-333 dated 1st July, 2016.

ALI NAQQASH ANWAR, *Major*,
General Staff Officer -2.

[BOARD OF INVESTMENT]

Islamabad, the 11th January, 2021

No.4(33)-HR/2005.—Mr. Adeel Saqib, Assistant Private Secretary (BPS-16), Prime Minister's Office, Board of Investment, Islamabad is hereby granted 15 days leave on full pay (LFP) on medical grounds from 5th January, 2021 to 19th January, 2021.

On expiry of above leave, he is likely to resume his duty on the same post and station.

M. INAM UL HAQ,
Dy. Assistant Director (HR).

NATIONAL ACCOUNTABILITY BUREAU

Islamabad, the 3rd December, 2020

No. 7-4(42)/Admn/2000.—In pursuance of this Bureau's notification of even number dated 22nd October, 2020, Mr. Khalid Mehmood has relinquished the charge of the post of Deputy Director (BS-18), National Accountability Bureau (HQ) Islamabad with effect from 9th November, 2020 and assumed the charge of the post of Deputy Director (BS-18) National Accountability Bureau (KP) Peshawar with effect from 18th November, 2020.

No. 7-7(109-A)/HQ/2005/Admn-I.—The probation period of following Assistant Private Secretaries (BPS-16) are hereby extended for a further period of three months with effect from 3rd December, 2020:-

Ser.	NAB	Name
a.	(Lahore)	Mr. Sajid Aas
b.	(Sukkur)	Mr. Waqas Ahmad

2. This issues with the approval of Competent Authority.

No. 7-4(67)-Admn/2000.—Director General (HRM) has been pleased to approve 10 days leave with full pay in respect of Mr. Yaqub Ajiz, Accountant (BPS-16), NAB (HQ), Islamabad with effect from 9th December, 2020 to 18th December, 2020.

2. on expiry of leave, the officer will resume his duties of the same post.

MUHAMMAD SHOAIB,
Deputy Director (PM-I).
HRM Division.

Islamabad, the 2nd December, 2020

No. 3(1273)/P/2013/PM-III/M.—The Competent Authority has approved transfer / posting of Mr. Muhammad Zaeem Iqbal, Deputy Director (BS-18) from NAB (KP) to NAB (Multan) with immediate effect and until further order. The officer may be relieved immediately to join his new posting being substitute / reliever of Syed Wajih-ul-Hassan, Deputy Director (BS-18).

TA/DA is admissible under the rules.

MUHAMMAD ZEESHAN HAIDER,
Deputy Director (PM-V).

Islamabad, the 3rd December, 2020

No. 3(298)/S/2006/Admn-I.—In pursuance of this Bureau's Notification No.2(125)/HQ/2015/PM-I dated 5th November, 2020, Mr. Asad Mehmood Khan has relinquished the charge of the post of Deputy Director (BPS-18) at NAB (KP) Peshawar on 20th November, 2020 and assumed the charge of the post of Deputy Director (BPS-18) Prosecution Division, NAB (HQ) on 23rd November, 2020.

No. 7-7(196)/P/2006/Admn-I.—In pursuance of this Bureau's notification of even number dated 21st October, 2020, Mr. Aamer Shahid has relinquished the charge of the post of Deputy Director (BPS-18) at NAB (Rawalpindi) Sub-Office GB on 5th November, 2020 and assumed the charge of the post of Additional Director (BPS-19) at NAB (Karachi) on 16th November, 2020.

Islamabad, the 9th December, 2020

No. 3(1577)/KP/2015/PM-II.—DG (HRM) is pleased to grant 88 days maternity leave on full pay with effect from 7th December, 2020 to 5th March, 2021 in respect of Ms. Mehvish Gul, Assistant Director (BPS-17), NAB (KP) Peshawar.

On the expiry of leave, the officer is expected to resume her duties of the same post at the same station.

LUBNA BASHIR,
Assistant Director (PM-II).

Islamabad, the 9th December, 2020

No. 3(1677)/SK/2016-PM-III.—Consequent upon his transfer *vide* NAB HQ notification of even number dated 23rd November, 2020, Mr. Faheemullah has relinquished the charge of the post of Assistant Director (BPS-17) NAB (Sukkur) with effect from 25th November, 2020 and assumed the charge of the post of Assistant Director (BPS-17) NAB (KP), Peshawar with effect from 2nd December, 2020.

HAMZA NIHAL TARIQ,
Assistant Director (PM-III).

CABINET SECRETARIAT

(Cabinet Division)

Islamabad, the 18th December, 2020

No. F.26-24/2014-Org-II.—In pursuance of Establishment Division's Notification No.PF (686)/E-5(PAS), dated 3rd December, 2020, Mr. Naveed Alauddin, a BS-21 Officer of PAS, has assumed the charge of the upgraded post of Director General (BS-21) personal to the officer, in the National Archives of Pakistan, under the administrative control of the Cabinet Division with effect from 4th December, 2020.

SYED ABID AHMED,
Section Officer (Org.-II).

Islamabad, the 9th December, 2020

No. F.1/75/Coord/2020-RA-IV.—The Competent Authority is pleased to appoint Mr. Amer Hashmi, as Chairperson, Special Technology Zones Authority, on honorary basis, for a period of three months, or till appointment of a regular Chairperson, whichever is earlier.

He will be entitled to TA/DA for official tours and one official vehicle, as admissible to BPS-22 officer.

MUHAMMAD USMAN MUNAWAR,
Section Officer (RA-IV).

Islamabad, the 29th December, 2020

No. 8-11/2020-Sqn.—In pursuance of Establishment Division's NOC No.4-2/2019-E-4, dated 26th November, 2020, Controller Military Accounts U.O. No.G/AN-I/1694/RC and Office Order No.11/219 dated 20th November, 2020, MAG Office Letter No.56/AN/902-242 (32694) dated

5th November, 2020, Mr. Muhammad Obaid Ur Rehman, AAO/32694, has assumed the charge of the post of Accountant of 6-Aviation Squadron, Cabinet Division with effect from 19th November, 2020 on secondment basis on standard terms and conditions as contained in JSI 21/86.

Islamabad, the 1st January, 2021

No. 8-5/2020-Sqn.—In pursuance of Establishment Division's NOC No.4-2/2019-E-4 dated 6th October, 2020, Ministry of Defence O.M. No.2/1/D-24/2020 dated 8th September, 2020 and General Headquarters (Military Secretary Branch)'s Letter No.0384/1128/Avn/MS-14B/49 dated 7th October, 2020, PA-39460 Major Omer Jamal Kayani, Aviation has assumed the charge of the post of exiting vacancy in 6-Aviation Squadron, Cabinet Division with effect from 1st November, 2020 on secondment basis on terms and conditions as contained in JSI 4/85.

Islamabad, the 25th January, 2021

No. 5/60/2019-Org-I.—Consequent upon the recommendation of the Selection Board, Mr. Abdul Nasir is promoted as Chief Accountant (BS-19), Printing Corporation of Pakistan with immediate effect.

MUHAMMAD AAMIR QURESHI,
Section Officer (Org-I).

(Establishment Division)

Islamabad, the 5th November, 2020

No. F.41/480/2017-E-I.—Mr. Omar Hamid Khan, a BS-22 officer of Secretariat Group, presently posted as Secretary, National Food Security & Research Division, is transferred and directed to report to Establishment Division, with immediate effect and until further orders.

No. PF (833)/E-5(PAS).—The services of Mr. Saad Sikandar Khan, a BS-20 officer of Pakistan Administrative Service, are placed at the disposal of National School of Public Policy, under Section 10 of the Civil Servants Act, 1973, with effect from 23rd September, 2020 and until further orders.

No. F.50/5/2019-E-I.—Mr. Abdul Ghufuran, a BS-22 officer of Pakistan Audit and Accounts Service, presently posted as Secretary, Inter Provincial Coordination Division, is transferred and posted as Secretary, National Food Security & Research Division, with immediate effect and until further orders.

The officer is also assigned Additional Charge of the post of Secretary, Inter Provincial Coordination Division with immediate effect and till 11th November, 2020.

No. 1/135/2020-E-4.—Mr. Manzoor Ahmad, Accounts Officer (BS-18) A.G. Office, Peshawar, is transferred and his services are placed at the disposal of Government of

Khyber Pakhtunkhwa for further posting as Deputy Director (Finance) (BS-18), Pakhtunkhwa Highway Authority, C & W Department, Khyber Pakhtunkhwa on deputation basis for a period of three (3) years on standard terms and conditions and until further orders.

No. 1/214/2020-E-4.—Ms. Rukhsana Arif, a BS-19 officer of Inland Revenue Service, presently posted as Additional Commissioner IRS (RTO-II), Lahore is transferred and her services are placed at the disposal of Government of Punjab for further posting as Additional Commissioner (BS-19) Multan, Punjab Revenue Authority on deputation basis, for a period of three (3) years, on standard terms and conditions, with immediate effect and until further orders.

No. 1/297/2020-E-4.—Mr. Tauqeer Ahmed Sujra, a BS-19 officer of Inland Revenue Service, presently posted as Secretary, FBR World Bank Project Pakistan Raises Revenue Program, Islamabad is transferred and his services are placed at the disposal of Government of Punjab for further posting as Additional Commissioner (BS-19) Sargodha, Punjab Revenue Authority on deputation basis, for a period of three (3) years, on standard terms and conditions, with immediate effect and until further orders.

No. 1/251/2020-E-4.—Mr. Abdul Khaliq Shaikh, a BS-20 officer of Inland Revenue Service, presently posted as Commissioner (RTO-II), Karachi is transferred and his services are placed at the disposal of National School of Public Policy, Lahore, for further posting in NIM, Karachi against BS-20 post on deputation basis for a period of three (3) years on standard terms and conditions, with immediate effect and until further orders.

No. 7/1/2019-E-4.—Mr. Muhammad Irfan Khan, a BS-18 officer of Pakistan Audit and Accounts Service, presently posted as Deputy Accountant General, Office of the Accountant General Khyber Pakhtunkhwa, Peshawar is transferred and his services are placed at the disposal of Government of Khyber Pakhtunkhwa for further posting as Director (B&A) (BS-18), Environment Department, Government of Khyber Pakhtunkhwa, on deputation basis, for a period of three (3) years, on standard terms and conditions, with immediate effect and until further orders.

MARIAM KAYANI,
Deputy Secretary.

Islamabad, the 2nd November, 2020

No. PF.939/2009-E-VII.—The deputation period of Mr. Nasir Durrani (OMG/ BS-18), presently at the disposal of Government of Khyber Pakhtunkhwa is hereby extended for a further period of Ten (10) months with effect from 25th October, 2020.

No. PF.922/2009-E-VII.—Ms. Affaf Faiz Rasool Malik (OMG/BS-18) OSD, Establishment Division is transferred and posted as Section Officer, Pay & Pension Commission, Finance Division, with immediate effect and until further orders.

Islamabad, the 3rd November, 2020

No. PF.1437/2018-E-VII.—Mr. Muhammad Muslim Shaikh (OMG/BS-17/Probationer), presently posted as Section Officer, Federal Education and Professional Training Division is transferred and posted as Section Officer, Establishment Division, with immediate effect and until further orders.

Islamabad, the 5th November, 2020

No. PF.1104/2011-E-VII.—The deputation period of Ms. Tahira Saleem (OMG/ BS-18), presently posted as Deputy Director, Secretariat Training Institute (STI) is hereby extended for a further period of one year with effect from 1st August, 2020 to 31st July, 2021.

No. F.6/9/2010-E-VII.—The Competent Authority has been pleased to terminate the probation period of the following Section Officers (BS-17) of the Office Management Group:-

S.No.	Name of the Officers
Officers belonging to 44th CTP	
1.	Mr. Junaid Alam
2.	Ms. Anum Gulraze Mir
Officers belonging to 45th CTP	
3.	Ms. Ambreen Ashfaq
4.	Ms. Aeyman Zehra
5.	Mr. Muhammad Ali Idrees
6.	Mr. Shahrez Abbas
7.	Ms. Tayyaba Sahar
8.	Mr. Abdul Hadee Janjua
9.	Mr. Yasir Sardar
10.	Ms. Aaleen Mehboob
11.	Dr. Ali Raza

No. PF.1291/2014-E-VII.—Mr. Faaiz Aali Gill (OMG/ BS-18), presently posted as Section Officer, Maritime Affairs Division is transferred and posted as Section Officer, Housing & Works Division, with immediate effect and until further orders.

SHAMS-UD-DIN,
Section Officer.

Islamabad, the 30th September, 2020

No. F.40/581/2014-E-I.—This Division's notification of even number dated 22nd October, 2020, regarding posting of Mrs. Samina A. Hasan, a BS-21 officer of Secretariat Group, as Additional Secretary, Information & Broadcasting Division, is hereby withdrawn *ab-initio*.

Islamabad, the 3rd November, 2020

No. F.11/16/2017-E-1.—Mr. Waseem Arshad, a BS-19 Officer of Pakistan Audit and Accounts Service, presently posted as Director Audit, Federal Government Islamabad is transferred and posted as Chief Finance & Accounts Officer, Communication Division, Islamabad (OPS), with immediate effect and until further orders.

The officer is also assigned look-after charge of the post of Chief Finance and Accounts Officer, Science & Technology Division, Islamabad (OPS), with immediate effect and until further orders.

No. F.25/01/2016-E-I.—Syed Ahmad Maroof, a BS-20 Officer of Foreign Services of Pakistan (FSP), presently posted as Director General, Foreign Affairs Division is transferred and posted as Joint Secretary, National Security Division, with immediate effect and until further orders.

No. F.31/2/2017-E-I.—This Division's notification of even number dated 29th October, 2020, regarding posting of Mr. Ghulam Mujtaba Joyo, a BS-19 officer of Secretariat Group, as Joint Secretary (BS-20) Railways Division, under Section 10 of Civil Servants Act, 1973, is hereby withdrawn *ab-initio*.

ATIF R. KHATTAK,
Section Officer.

Islamabad, the 5th November, 2020

No. 1-36/2011-E-2.—Ms. Khalida Bashir, a BS-19 officer of the Secretariat Group, presently posted as Director, National School of Public Policy (NSPP), Lahore, on deputation basis, is placed at the disposal of National School of Public Policy (NSPP), Lahore under Section 10 of Civil Servants Act, 1973, with effect from 28th October, 2020 and until further orders.

NAYYAB IMRAN,
Section Officer.

Islamabad, the 5th November, 2020

No. 2(19)1/2020-Admn-I.—Mr. Saim-ul-Haq Satti, Advocate Supreme Court of Pakistan has assumed the

charge of the post of Deputy Legal Advisor (MP-II), Establishment Division with effect from 15th October, 2020 on contract basis for a period of two years.

ISHFAQ HUSSAIN,
Section Officer (Admn-I).

Islamabad, the 4th November, 2020

No. 10 (88-APS)-Admn-II.—Consequent upon his repatriation from Benazir Income Support Programme, Islamabad where he was on deputation, Hafiz Faisal Naeem, Assistant Private Secretary (BS-16), Establishment Division is taken on the strength of Establishment Division with effect from 26th October, 2020.

MUHAMMAD NADEEM MUJAHID,
Section Officer (Admn-II).

Islamabad, the 28th October, 2020

OBITUARY

No. 1-95/2012-E-2.—The Government of Pakistan announces with deep regret the sad demise of Mr. Muhammad Saleem, a BS-19 officer of Secretariat Group who expired on 14th September, 2020.

Mr. Muhammad Saleem, was born on 1st January, 1964. He first joined service under the Federal Government on 7th February, 1988 and subsequently after his appointment in OMG on 3rd August, 2007, served in various capacities in the Federal Secretariat. At the time of his death on 14th September, 2020, the officer was serving as Deputy Secretary, Inter Provincial Coordination (IPC) Division, Islamabad. Mr. Muhammad Saleem was a conscientious, hardworking and dedicated officer who held important assignments and exhibited commendable devotion to duty. His death has deprived the Government of Pakistan of an able and competent officer.

The Government of Pakistan wishes to place on record its appreciation of the dedicated services rendered by the deceased.

In expressing its deep sense of grief at the sudden demise of Mr. Muhammad Saleem, the Government of Pakistan conveys its condolence and sympathy to the members of the bereaved family. May his soul rest in peace. Aameen.

ZAIN AZIZ,
Section Officer.

[BENAZIR INCOME SUPPORT PROGRAMME]

Islamabad, the 10th November, 2020

No. 1(1324)/BISP/HR/2019.—In pursuance of Auditor General of Pakistan Letter No.897/-CA-III/1-68/2003/Vol-I dated 5th October, 2020 regarding repatriation, Mrs. Naveeda Salam (BS-20/PA&AS) who is posted as Director General (F&A) in BISP HQ, Islamabad on deputation basis and presently attending 113th National Management Course (NMC) at National Management College, Lahore *vide* Establishment Division's Letter No.2/4/2020-T-I dated 17th September, 2020, is hereby repatriated and accordingly relieved from BISP HQ, Islamabad with immediate effect. The officer has already relinquished charge of the post in BISP HQ with effect from 9th October, 2020 for attending NMC.

This issues with the approval of Secretary BISP.

Islamabad, the 12th November, 2020

No. F.1(773)/BISP/HR/2015.—Consequent upon completion of five (5) years deputation, Mr. Amir Zaman, District Officer (BPS-17), Pakistan Bait-ul-Mal (PBM), presently posted as Assistant Director (CI) (SPS-17), BISP HQ, Islamabad, is hereby relieved from his duties with immediate effect to join his parent department *i.e.* Pakistan Bait-ul-Mal (PBM).

ABDUL LATIF,
Director HR (HQ & Policy).

Islamabad, the 10th November, 2020

No. F.1(1457)/BISP/HR/BAL/2020.—In pursuance of this Office's Letter No.1(42)/BISP/HR/BAL/2018, dated 24th September, 2020 and in furtherance of Pakistan Telecommunication Company Limited (PTCL), Islamabad's Letter No.S/R-242, dated 6th October, 2020, Engr. Rehmatullah Baloch, Assistant Business Manager (Rural) (BPS-17), PTCL, Shikarpur, Sindh has joined Benazir Income Support Programme, Balochistan Region as Assistant Director (SPS-17) with effect from 12th October, 2020, on deputation basis, for initial period of three years, in terms of BISP Employees Service Regulations-2018.

This issues with the approval of the Secretary, BISP.

AKHTAR SAEED,
Director HR (Regions).

Islamabad, the 10th November, 2020

No. F.1(930)BISP/HR/KP/2016.—In pursuance of Controller General of Accounts, Islamabad's Notification No.718/CGA/Estt-II/AAO/BISP/PT/29-C/PF, dated 28th

September, 2020, Mr. Muhammad Jehanzeb Zafar, Assistant Accounts Officer (BS-17), posted as Assistant Accounts Officer (SPS-17), in BISP Divisional Office, Peshawar, has been repatriated to his parent office *i.e.* Accountant General, Khyber Pakhtunkhwa with effect from 2nd October, 2020.

This issues with the approval of the Director General (Admin. & HR), BISP.

MUHAMMAD AHMAD USMANI,
Deputy Director (HR-III).

Islamabad, the 11th November, 2020

No. 1(580)/BISP/AJK/2015.—In terms of Rule 5 (b) of the Revised Leave Rules, 1980 (as amended from time to time), Mr. Attique Khalid, Assistant Director-Legal (SPS-17), BISP HQ, Islamabad is granted 12-days leave on full pay (LFP) with effect from 12th October, 2020 to 23rd October, 2020.

This issues with the approval of Director General (Admn. & HR), BISP HQ.

ZAHIR SHAH,
Admin Officer (HR), (HQ Establishment.)

WAFAQI MOHTASIB (OMBUDSMAN)'S SECRETARIAT

Islamabad, the 10th November, 2020

No. F.1(1051)A-II/2020.—In pursuance of this Secretariat's Notification No.8(289)A-I/2004 dated 27th October, 2020, Mr. Shahid Rasool, Assistant Private Secretary (BS-16) has assumed the charge of the post of Private Secretary (BS-17) at WMS, Head Office, Islamabad on 27th October, 2020.

This issues with the approval of Competent Authority.

Islamabad, the 13th November, 2020

No. 7(206)A-I/2020.—In pursuance of Notification No.8(201)A-I/1996 dated 27th October, 2020, Mr. Jamal Haider Khursheed, has assumed charge of the post of Assistant Private Secretary (BS-16), Wafaqi Mohtasib Secretariat, Regional Office, Lahore with effect from 7th October, 2020.

MOINUDDIN A. SIDDIQI,
Director (Admn.).

(Regional Office)

Lahore, the 11th November, 2020

No. F.I(173)WMS/ROL/2019.—Mr. Ahsan Nazar, Investigation Officer (BS-17), Wafaqi Mohtasib

(Ombudsman)'s Secretariat, Regional Office, Lahore is hereby granted 19 days leave on full pay (LFP) with effect from 23rd November, 2020 to 11th December, 2020.

After availing the leave, the above officer is likely to assume charge of the same post and station.

This issued with the approval of Competent Authority.

Lahore, the 13th November, 2020

No.F.II(101)WMS/ROL/2003.—Consequent upon attaining the age of superannuation, Syed Ali Mukarram, APS (BS-16), Wafaqi Mohtasib (Ombudsman)'s Secretariat, Regional Office, Lahore stand retired from Government Service with effect from 4th November, 2020.

This is issued with the approval of Competent Authority.

MUHAMMAD TAHIR ZAMIR,
Superintendent (Admn.).

MINISTRY OF COMMERCE

Islamabad, the 10th November, 2020

No. 15(16)/2009-Admn-III/CTG.—Mr. Rashid Hussain, BS-18 officer of Commerce and Trade Group, presently posted as Deputy Director, Trade Development Authority of Pakistan is transferred and his services are placed at the disposal of Trading Corporation of Pakistan, Karachi as General Manager on deputation basis till further orders with immediate effect on standard terms and conditions.

SANA SHOUKET LALEKA,
Deputy Director (CTG).

MINISTRY OF COMMUNICATIONS

Islamabad, the 11th November, 2020

No. PF-236/2020-Admn.—In pursuance of Establishment Division's Notification No.PF.1096/2011-E-VII dated 9th October, 2020, Mr. Askar Khan, a BS-18 officer of the Office Management Group, has assumed the charge of the post of Section Officer, BS-18 in the Ministry of Communications, Government of Pakistan, Islamabad on 14th October, 2020.

MAJID ABBAS,
Section Officer.

DEPARTMENT OF THE AUDITOR-GENERAL OF PAKISTAN

Islamabad, the 28th October, 2020

No. 52-Dir(A)/ CA-III/4-16/2020.—The Competent Authority has been pleased to assign look-after charge

of the post of Chief Finance & Accounts Officer (CF&AO), Ministry of Industries & Production, Islamabad to Mr. Asif Hameed, BS-20/PA&AS Officer, presently posted as Chief Finance & Accounts Officer, Overseas Pakistani's & HRD Division, Islamabad, in addition to his own duties, with immediate effect and until further orders.

No. 955-Dir(A)/2-7/2019.—The Competent Authority has been pleased to approve appointment of Chaudhry Nauman Zafar, a BS-19 officer of Pakistan Audit & Accounts Service, as Director (Audit & Accounts), Pakistan High Commission, London, UK, for a period of three years from the date of joining.

2. Accordingly, Chaudhry Nauman Zafar, BS-19/PA&AS officer, presently posted as Director (P for R), AGP Office, Islamabad, directed to report to the office of Chief Accounts Officer, Ministry of Foreign Affairs, Islamabad, for familiarization with the working of that office, prior to his joining posting abroad.

3. Posting orders of Mr. Muhammad Luqman Masood, BS-19 PA&AS, presently posted as Director (Audit & Accounts), Pakistan High Commission, London, UK, will be issued upon his return to Pakistan.

MUHAMMAD TAYYAB,
Director (Admn.).

Islamabad, the 28th October, 2020

No. 574/PAAS-I/39-2015.—Consequent upon transfer/posting *vide* Office of the Auditor General of Pakistan Islamabad's Notification No.33-Dir(A-II)/2-(5/6)/2020 dated 20th October, 2020, Ms. Bushra Sumbal, a BS-18 PA&AS Officer, has relinquished the charge as Chief Accounts Officer (Custom Intelligence), in Office of the Director General Intelligence & Investigation, FBR, Islamabad, on 27th October, 2020 and assumed the charge of the post of Assistant Auditor General (Logistics) in the Office of the Auditor General of Pakistan Islamabad, on same date.

No. 575/PAAS-II/2-1886/2020.—Consequent upon antedated induction into PA&AS in BS-17 with effect from 25th October, 2018 (against 46th CTP) *vide* Office of the Auditor General of Pakistan, Islamabad's Notification No.28/Dir(A)-II/1-6/induction/2017/Vol-I dated 9th September, 2020 and posting/ transfer *vide* Notification No.31-Dir(A)-II/1-6/2017/Vol-I dated 23rd September, 2020, Mr. Muhammad Arshad, a BS-17 PA&AS Officer, has assumed the charge of the post of ACMA (BS-17) in the Office of the Controller Military Accounts (Rawalpindi Command), Rawalpindi on 15th October, 2020.

No. 578/PAAS-II/2-1851/2020.—Consequent upon antedated induction into PA&AS in BS-17 with effect from 30th September, 2016 (against 44th CTP) *vide* Office of Auditor General of Pakistan, Islamabad's Notification No.28/Dir(A)-II/1-6/induction/2017/Vol-I dated 9th September, 2020 and posting/ transfer *vide* Notification No.31-Dir(A)-II/1-6/Induction/2017/Vol-I dated 23rd September, 2020, Mr. Shahanshah Karar Haider Zaidi, a BS-17 PA & AS Officer, has relinquished the charge of the post of Assistant Director (BS-17) in the Office of the Director General Audit, Postal & Telecommunication Services, Lahore, on 19th October, 2020 and assumed the charge of the post of Assistant Director, in the Directorate of Accounts, Pakistan Post Office Department, Lahore, on same date.

NADIA USMAN,
Assistant Auditor General.(PAAS).

[OFFICE OF THE CONTROLLER GENERAL OF ACCOUNTS]

Islamabad, the 28th October, 2020

No. 808/CGA/Estt/T.T/AGPR/2020/24.—The Deputy Controller General of Accounts has been pleased to order the posting of Mr. Haresh Kumar, Senior Auditor (BS-16) from AGPR sub-office, Karachi to office of the Accountant General Sindh, Karachi for further posting at District Accounts Office, Umarnot, on temporary transfer basis, till further orders.

No. 806/CGA/Estt-II/Dep-6/2017.—The Controller General of Accounts has been pleased to order the posting of following three Assistant Accounts Officers (BS-17) of AGPR, Islamabad to join Federal Investigation Agency, Headquarters, Islamabad against the cadre post of Assistant Director Accounts (BS-17), for the period of three (3) years with immediate effect till further orders.

- i. Hafiz Khalid Tousif Ahmad Khan, Assistant Accounts Officer (BS-17).
- ii. Mahar Muhammad Akmal, Assistant Accounts Officer (BS-17).
- iii. Mr. Shahid Aziz, Assistant Accounts Officer (BS-17).

ROIDAR ALI,
Accounts Officer (Establishment).

Islamabad, the 28th October, 2020

No. 767/CGA/Admn-I/3-91/2008.—In pursuance of this office Notification No.363/CGA/Promotion/80-C/Special DPCs/2020 dated 19th June, 2020, on the recommendation of DPC for promotion of AAOs to AOs,

Ms. Attiya Naz, has assumed the charge of the post of Accounts Officer (BS-18) in this office on 1st September, 2020 and posted in Ministry of Federal Education & Professional Training, Islamabad against a Cadre post. Her period from 1st September, 2020 to 10th September, 2020 may treated as duty in CGA Office.

JIBRAN KHAN DURRANI,
Assistant Controller General of Accounts (Admin.).

[OFFICE OF THE DIRECTOR GENERAL AUDIT (WATER RESOURCES)]

Lahore, the 27th October, 2020

No. HR/PF/AO/Vol-II/301/TR-920.—Mr. Azhar Hussain Butt, Audit Officer a BS-18 Officer of office for the Auditor General of Pakistan presently serving in Office of the Director General Audit Water Resources, Lahore is transferred and his services are placed at the disposal of office of Pakistan Electric Power Company (Pvt.) Limited on deputation basis for a period of three (3) years on standard terms and conditions with effect from 19th October, 2020 and until further orders.

Lahore, the 29th October, 2020

No. HR/PF/Sr.Ar/318/TR-941.—Mr. Sabit Ali Jamali, Senior Auditor (a BS-16 Officer) of office of the Auditor General of Pakistan presently serving in Office of the Director General Audit Water Resources, Lahore is transferred and his services are placed at the disposal of office of the Director General Audit Sindh, Karachi on temporary transfer basis with effect from 23rd October, 2020 and until further orders.

KAMRAN SIDDIQ,
Director General.

[DIRECTORATE GENERAL OF AUDIT WORKS (PROVINCIAL)]

Lahore, the 26th October, 2020

No. DGAWPL/Admn-I/14-42/PF-364/268.—Consequent upon induction in IDC as Assistant Director and Posting as Assistant Accountant General, Office of the Accountant General, Punjab, Lahore, Mirza Vaseem Baig, Audit Officer relinquished the charge of his post in the office of the Director General Audit Works (Provincial) Lahore on 16th October, 2020.

ARSHAD LIAQUAT CHAUDHRY,
Director General.

ELECTION COMMISSION OF PAKISTAN

Islamabad, the 10th November, 2020

No. F.2 (8)/2020-21/Budget.—In pursuance of Section 3 and Section 5 of Elections Act, 2017 and all other powers enabling on that behalf, the Hon'ble Chief Election Commissioner of Pakistan is pleased to constitute Finance Committee of Election Commission of Pakistan comprising following members:-

- | | |
|---|----------|
| i. Secretary, ECP. | Convener |
| ii. Additional Secretary (Admn), ECP | Member |
| iii. Joint Secretary (Exp.)/Financial Advisor (ECP) Finance Division, | Member |
| iv. Additional Director General (Budget), ECP | Member |
| v. Additional Director General (Admn-II), ECP | Member |

2. The committee shall regulate financial matters, human resource management issues, perks & privileges of officers and staff of Election Commission of Pakistan and all other ancillary related matters. The committee shall submit its recommendations, from time to time, for approval to the Hon'ble Chief Election Commissioner of Pakistan.

ABDUL QAYYUM SHINWARI,
Additional Director General (Admn-I/Budget).

Islamabad, the 11th November, 2020

No. F.3(4)/2020-Estt-I.—In continuation of this Commission's notification of even number dated 7th August, 2020, the Additional Charge of the vacant post of Deputy Director (SIMS-BS-18) in Election Commission, Secretariat, Islamabad assigned to Mr. Waqas Ahmed Malik, Deputy Director (Coordination-BS-18) is extended for a further period of three (3) months of with effect from 5th November, 2020 or till the regular appointment against the said post, whichever is earlier.

This issues with the approval of Hon'ble Chief Election Commissioner.

IMRAN ZAFAR,
Deputy Director (Estt-I).

MINISTRY OF ENERGY

(Petroleum Division)

Islamabad, the 10th November, 2020

No.4(135)/2020-Admn.—Pursuant to Establishment Division's Notification No.PF.1/6/2020/E-5 (PAS), dated

29th October, 2020, Mr. Nadeem Irshad Kayani, an Officer of Pakistan Administrative Service (PAS) has relinquished the charge of the post of Additional Secretary (BS-21) in this Division on 29th October, 2020.

No.4(135)/2020-Admn.—Pursuant to Establishment Division's Notification No.PF.1/6/2020/E-5 (PAS), dated 29th October, 2020, Mr. Nadeem Irshad Kayani, an Officer of Pakistan Administrative Service (PAS) has assumed the charge of the post of Special Secretary (BS-22) in this Division on 29th October, 2020.

QUTUBUDDIN,
Deputy Secretary (Admn.).

Islamabad, the 10th November, 2020

No.1(1)/2006-Admn.—The Competent Authority has been pleased to allow Mr. Qutubuddin, Deputy Secretary (CA) / BS-19 of this Division to hold additional charge of the vacant post of Deputy Secretary (Admn.), in addition to his own duties with effect from 10th November, 2020 to 7th February, 2021 for an initial period of 90 days or till the availability of a regular incumbent, whichever is earlier.

This issues with the approval of Secretary, Petroleum Division.

MUHAMMAD BILAL KHAN,
Section Officer (Admn).

[POLICY WING]

Islamabad, the 5th November, 2020

No. PW-8(4)/2020-Admn.—Syed Shujaat Hussain Bukhari, currently posted as Deputy Director (Technical)/BPS-18, Directorate General (LGs) is allowed to hold current charge of the post of Director (LGs)/BS-19, Policy Wing, Petroleum Division, Ministry of Energy with immediate effect for a period of ninety (90) days or till the posting of a regular incumbent, whichever is earlier, in addition to his own duties.

This issues with the approval of Secretary, Petroleum Division, Ministry of Energy.

No. PW-8(4)/2020-Admn.—Mr. Riaz Ali, currently posted as Deputy Director (Technical)/BPS-18, Directorate General (PC) is allowed to hold current charge of the post of Director (Exploration) BS-19, Policy Wing, Petroleum Division, Ministry of Energy with immediate effect for a period of ninety (90) days or till the posting of a regular

incumbent, whichever is earlier, in addition to his own duties.

This issues with the approval of Secretary, Petroleum Division, Ministry of Energy.

No. PW-3(154)/2019-Admn.—Ms. Agha Tehreem Ahsan, Deputy Director (Non-Technical)/BPS-18, Directorate General (PC), Policy Wing, Petroleum Division, Ministry of Energy is granted 18 days LFP on medical grounds with effect from 15th September, 2020 to 2nd October, 2020 and resumed the charge of the same post with effect from 5th October, 2020.

This issues with the approval of Secretary, Petroleum Division.

IMRAN SALEEM,
Deputy Director (Admn.).

Islamabad, the 3rd November, 2020

No. 3(64)/92-Oil/Deptt.—Mr. Abdul Jabbar Memon currently posted as Director General (LGs)/BS-20, Policy Wing, Petroleum Division, Ministry of Energy is assigned additional charge of the post of Director General (PC) BS-20 with immediate effect in addition to his own duties for a period of ninety (90) days or till availability of regular incumbent, whichever is earlier.

This issues with the approval of Secretary, Petroleum Division, Ministry of Energy.

Islamabad, the 4th November, 2020

No.3(99)/2005-Oil/Deptt.—After availing *ex-Pakistan* leave of Twelve (12) days with effect from 19th October, 2020 to 30th October, 2020 Mr. Kashif Ali, Director (Technical)/BS-19, Policy Wing, Petroleum Division, Ministry of Energy has assumed charge of the post of Director (Technical)/BS-19, Policy Wing, Petroleum Division, Ministry of Energy on 2nd November, 2020 (*i.e.* first working day after leave).

KHUSHNAAM ALI KHAN,
Assistant Director (Admin.).

MINISTRY OF FEDERAL EDUCATION &
PROFESSIONAL TRAINING

[PAKISTAN NATIONAL COMMISSION FOR UNESCO]

Islamabad, the 26th October, 2020

No. F.2-2/2020-PNCU/ (Admn.)—In pursuance of Establishment Division's Letter No.F.5/49/2020-T-II/28th

SMC dated 9th October, 2020, Mrs. Sajida Shamsi, (BS-19), Deputy Secretary General, Pakistan National Commission for UNESCO (PNCU) has been relieved from duty with effect from 23rd October, 2020 to attend the 28th Senior Management Course Commencing from 26th October, 2020 to 12th February, 2021 at National Institute of Management, Peshawar.

This issues with the approval of Secretary General, PNCU.

MUHAMMAD RAMZAN BASHARAT,
Administrative Officer.

MINISTRY OF FINANCE, REVENUE AND
ECONOMIC AFFAIRS

(Finance Division)

Islamabad, the 17th November, 2020

No. PF.10(16)/HR-IV/2007.—After availing 30 days leave on full pay with effect from 5th October, 2020 to 3rd November, 2020, Mr. Gul Muhammad Shah, Programmer (BS-18), Finance Division, Islamabad has assumed the charge of the same post at the same station on 4th November, 2020.

MUHAMMAD HAYAT,
Section Officer (HR-IV).

[MILITARY FINANCE WING]

Rawalpindi, the 16th November, 2020

No. F.5-1/HRM-I/2369.—In terms of Establishment Division's O.M. dated 18th June, 1980. Mr. Azhar Hussain Gillani, Superintendent of FA (Army) Office of this Wing has been allowed to hold current charge against the vacant post of Assistant Financial Adviser in FA (Army) office of this Wing for a period of three months with effect from 13th November, 2020, or till the posting of regular incumbent whichever is earlier.

Rawalpindi, the 19th November, 2020

No. F.5-1/HRM-I/2411.—In terms of Establishment Division's O.M. dated 18th June, 1980. Mr. Muhammad Naveed Akbar, Assistant Financial Adviser of this Wing has been allowed to hold current charge against the vacant post of Deputy Financial Adviser (B&HRM) for a period of 3 months with effect from 6th November, 2020, or till the posting of regular incumbent whichever is earlier.

FATIMA BURKI,
Assistant Financial Adviser (HRM-I).

(Economic Affairs Division)

Islamabad, the 13th November, 2020

Islamabad, the 16th November, 2020

No. 1(2)/EA/A-1/2018.—Syed Farrukh Mahboob, Deputy Secretary (BS-19/SG) (Personnel No. 50118427), Economic Affairs Division was granted One Hundred Twenty (120) days leave on full pay with effect from 14th September to 11th January, 2021 *vide* this Division's notification of even number dated 17th September, 2020.

After availing Fifty Nine (59) days leave on full pay with effect from 14th September to 11th November, 2020, Syed Farrukh Mahboob, Deputy Secretary (BS-19) has resumed charge of the same post in this Division on 12th November, 2020. His remaining period of Sixty One (61) days leave with effect from 12th November, 2020 to 11th January, 2021 may be treated as cancelled.

SAJID HUSSAIN ABBASI,
Section Officer (Admin-I).

Islamabad, the 17th November, 2020

No. 1(2)/EA/A1/2018.—Syed Farrukh Mahboob, Deputy Secretary (Admin), is assigned with immediate effect, additional charge of the post of Deputy Secretary (INGOs/NGOs), Economic Affairs Division for a period of three months (90 days) or till the availability of a regular incumbent of the post whichever is earlier. As per rules, he will be entitled to draw "Special Allowance" equal to @ 20% of basic pay subject to a maximum of Rs. 12,000/- p.m. whichever is less.

This issues with the approval of Secretary Economic Affairs Division.

Islamabad, the 18th November, 2020

No. 7(2)/EA/A1/2020.—In partial modification of this Division's notification of even number dated 9th September, 2020, Mr. Abdul Wahab, Accounts Officer (BS-18) will draw his pay & allowances against the vacant available post of the same scale *i.e.* Director of Accounts (BS-18), Economic Affairs Division for the time being/till the activation/functioning of the PIDSA Project Account.

KHALID MAHMOOD,
Section Officer (Admin-I).

MINISTRY OF HOUSING & WORKS

Islamabad, the 12th November, 2020

No. F. 12(199)97-EO.—The competent authority has been pleased to grant 365-days encashment in lieu of LPR under Rule 18-A of Revised Leave Rules 1980 in favor of Mr. Muhammad Rafiq Awan Superintendent, Estate Office, Karachi with effect from 2nd September, 2020 to 1st September, 2021.

The Officer shall stand retired from Government Service on to 2nd September, 2021 after attaining the age of superannuation.

MUHAMMAD ASGHAR GONDAL,
Section Officer (EO).

No. F. 8(17)/2020-Admn-I.—In pursuance of Establishment Division, Islamabad's Notification No. 1314/2014-E-VII dated 6th November, 2020 and with the approval of competent authority *i.e.* Additional Secretary, Ministry of Housing & Works, Mr. Manzoor Ali Shah, Section Officer (BS-18/OMG) is transferred and posted as Deputy Director (BS-18), in the Federal Government Employees Housing Authority, Islamabad on deputation basis on standard terms and conditions initially for a period of three years with effect from 9th November, 2020.

No. F. 8(15)/2019-Admn-I.—In pursuance of Establishment Division's Notification No. PF. 1291/2014-E-VII dated 5th November, 2020, Mr. Faaiz Aali Gill, has assumed the charge of the post of Section Officer (BS-18) in the Ministry of Housing & Works on 5th November, 2020.

MUHAMMAD KAMRAN,
Section Officer (Admn-I).

MINISTRY OF HUMAN RIGHTS

Islamabad, the 10th November, 2020

No. F. 1-124/2018-Admn.—On his request Mr. Muhammad Abdul Malik, Unit Accountant (BS-16) presently working on deputation basis (OPS) in this Ministry as Assistant Director/Drawing & Disbursing Officer is repatriated to his parent department *i.e.* Pakistan Military Accounts Department, Ministry of Defence with immediate effect.

This issues with the approval of the Secretary, Ministry of Human Rights, Islamabad.

WAHEEDULLAH KHAN,
Deputy Secretary (Admin).

Islamabad, the 12th November, 2020

No. F. 12-20/2011-Admn.—Ms. Yasmeen Hameed, Assistant Private Secretary (BS-16), Ministry of Human Rights is granted 120 days leave with full pay (LFP) with effect from 16th November, 2020 to 15th March, 2021 with permission to leave the station.

This issues with the approval of the Secretary, Ministry of Human Rights, Islamabad.

No. F. 2-15/2019-Admn.—Mr. Zahid Khan Qazi, Assistant Private Secretary (BS-16), Regional Office, Human Rights, Karachi is granted the current charge of the vacant post of Public Relations Officer (BS-17) at Regional Office, Human Rights, Karachi with immediate effect, for a period of three months or till the joining of the regular incumbent of the post whichever is earlier.

This issues with the approval of the Secretary, Ministry of Human Rights, Islamabad.

Islamabad, the 13th November, 2020

No. F. 1(6)/2020-Admn.—The competent authority *i.e.* Secretary, Ministry of Human Rights has been pleased

to accept the resignation tendered by Mr. Masood Athar, Superintendent/DDO (BS-17) contract employee of Institutional Strengthening Project of this Ministry with effect from 30th November, 2020.

MUHAMMAD DIN,
Section Officer (Admn).

MINISTRY OF INDUSTRIES AND PRODUCTION

(Industries & Production Division)

Islamabad, the 11th November, 2020

No. 1(63)/2019-Admn-I.—Hafiz Muhammad Taimoor Khalid, Section Officer, Industries & Production Division is granted 24 days leave on full pay with effect from 18th November, 2020 to 11th December, 2020 including leave ex-Pakistan of 10 days.

On expiry of the leave, the officer is expected to resume his duty at the same post and place.

No. 1(15)/2015-Admn-I.—Mr. Abdul Razzak Mughal, Deputy Secretary of this Division is granted four (04) months leave on medical grounds with effect from 7th August, 2020 on full pay.

After expiry of leave, the officer is expected to resume his duty at the same post and place.

Islamabad, the 12th November, 2020

No. 1(61)/2019-Admn-I.—Ms. Izza Inam, Section Officer (BS-17) of this Division is hereby granted 96 days leave on full pay (LFP) with effect from 25th November, 2020.

On expiry of the leave, the officer is likely to resume the duty at the same post and place.

No. 1(59)/2019-Admn-I.—Mr. Usman Ali, Section Officer (BS-17) of this Division is hereby granted 96 days leave on full pay (LFP) with effect from 25th November, 2020.

On expiry of the leave, the officer is likely to resume the duty at the same post and place

No. 1(61)/2019-Admn-I.—Mr. Haider Ali, Section Officer (MED-III) is assigned the additional charge of the work of Section Officer (MED-I) with effect from 25th November, 2020 for a period of three months or till the availability of a regular officer whichever is earlier.

The officer will be entitled to draw 20% of his basic pay maximum to Rs. 12000/- per month.

This issues with the approval of the Secretary, Industries & Production Division.

No. 1(59)/2019-Admn-I.—Mr. Khizar Faiz, Section Officer (LED-I) is assigned the additional charge of the work of Section Officer (LED-II) with effect from 25th November, 2020 for a period of three months or till the availability of a regular officer whichever is earlier.

The officer will be entitled to draw 20% of his basic pay maximum to Rs. 12000/- per month.

This issues with the approval of the Secretary, Industries & Production Division.

No. 1(59)/2019-Admn-I.—Mr. Rafay Ahmed, Section Officer (LED-III) is assigned the additional charge of the work of Section Officer (LED-IV) with effect from 25th November, 2020 for a period of three months or till the availability of a regular officer whichever is earlier.

The officer will be entitled to draw 20% of his basic pay maximum to Rs. 12000/- per month.

This issues with the approval of the Secretary, Industries & Production Division.

OMER MANZOOR SHEIKH,
Section Officer (Admn-I).

MINISTRY OF INTERIOR

Islamabad, the 13th November, 2020

No. 05/03/2020-Police.—Consequent upon approval of the competent authority Mr. Muhammad Naseem Khan, Deputy Directing Staff (BS-18), an officer of National Academy for Prisons Administration (NAPA), Lahore is hereby posted to Home & Tribal's Affairs Department Government of Balochistan as Commandant/Principal on deputation basis for a period of three years on standard terms and conditions and until further orders.

ROHAIL BHATTI,
Section Officer (Police).

MINISTRY OF INTER PROVINCIAL COORDINATION

(IPC Division)

Islamabad, the 11th November, 2020

No. F. 1(666)/2020-Admn-I.—In pursuance to Establishment Division's Notification No. 50/5/2019-E-I dated 5th November, 2020, Mr. Abdul Ghufuran, a BS-22 Officer of Pakistan Audit and Accounts Service, has relinquished the charge of the post of Secretary (BS-22), Ministry of Inter Provincial Coordination, with effect from 11th November, 2020.

FARHAN AKHTAR,
Section Officer (Admn-I).

MINISTRY OF KASHMIR AFFAIRS AND
GILGIT-BALTISTAN

Islamabad, the 10th November, 2020

No. F. 3(1)/2015-K.II.—With the approval of Secretary, KA&GB Mr. Muhammad Anwar Khan, Deputy Secretary (K&GB), Ministry of Kashmir Affairs & Gilgit-Baltistan is assigned additional charge of the vacant post of

Administrator (BS-19), J&K State Property in Pakistan, Lahore, with immediate effect for a period of three months or till the posting of a regular incumbent whichever is earlier.

HAMID MAHMOOD RANA,
Deputy Secretary.

[GILGIT-BALTISTAN COUNCIL SECRETARIAT]

Islamabad, the 10th November, 2020

No. F. 1(9)/2013/F-II-GBC.—Consequent upon the approval of competent authority, Mr. Umar Ali Khan, a BS-20, officer of Pakistan Audit & Accounts Service, is posted as Accountant General, Gilgit-Baltistan on deputation basis for initial period of three years on standard terms and conditions after retirement of present incumbent *i.e.* 20th November, 2020.

SUDHER KHAN KHATTAK,
Deputy Secretary (Finance).

MINISTRY OF LAW AND JUSTICE

Islamabad, the 17th November, 2020

No. F. 2(9)/2015-A.V.—In exercise of the powers conferred under section 3 of the Pakistan Criminal Law Amendment Act, 1958 (No. XL of 1958), the Federal Government is pleased to appoint Miss Naseem Akhtar, District and Sessions Judge, as Judge Special Court (Central), Hyderabad on deputation basis, in her own pay and scale, for a period of three years or until further orders, whichever is earlier, from the date she assumes charge of the post.

No. F. 2(13)/2019-A.V.—In exercise of the powers conferred under section 3 of the Pakistan Criminal Law Amendment Act, 1958 (No. XL of 1958), the Federal Government is pleased to appoint Syed Ali Imran, District and Sessions Judge as Judge, Special Court (Central-II), Gujranwala on deputation basis, in his own pay and scale, for a period of three years or until further orders, whichever is earlier, from the date he assumes charge of the post.

FAISAL MALIK,
Section Officer (A.V).

Islamabad, the 16th November, 2020

No. F. 14(1)/2004-AIII.—The competent authority has been pleased to entrust the additional charge of the vacant post of Presiding Officer, Foreign Exchange Regulation Appellate Board (FERAB), Lahore to Mr. Zia-ul-Qamar, Judge, Banking Court-V, Lahore in addition to his own duties along with DDO powers of Foreign Exchange Regulation Appellate Board (FERAB), Lahore with effect from the date of assumption of charge for a period of three months or until further orders, whichever is earlier.

Islamabad, the 17th November, 2020

No. F. 9(2)/2005-AIII (Vol-III).—With the approval of competent authority, this Division's Notification No.

36(18)/2014.A-III dated 23rd October, 2020 of additional charge in respect of Chairman, Drug Court, Karachi is hereby withdrawn/cancelled.

MUHAMMAD RAZAULLAH LAKHO,
Section Officer (A-III).

[DEVELOPMENT WING]

Islamabad, the 17th November, 2020

No. F. 11(1)/2020-SPMU-DW(Admn).—In pursuance of Ministry of Law and Justice, Development Wing's Office Order *vide* No. F. 11(1)/2020-SPMU-DW(Admn) dated 16th November, 2020, Mr. Muhammad Moazzam Warraich, has relinquished the duty of the post of Director (BS-19) in the Project titled "Automation of Federal Courts located at Federal Courts Complex, Islamabad", for further joining against the post of Senior Planning Officer (PPS-09) in the project titled "Strengthening of Planning & Monitoring Unit in Ministry of Law and Justice, Islamabad".

This issues with the approval of Secretary, Law and Justice Division.

SHAFIQUE AHMED,
Deputy Secretary (Dev).

MINISTRY OF NATIONAL FOOD SECURITY AND
RESEARCH

Islamabad, the 4th November, 2020

No. F. 2-1/2017-Admn-I.—After availing of 56 days LFP, Dr. Akhtar Ali Hakro, Section Officer (BS-18) has joined in this Ministry on 2nd November, 2020 is hereby posted as Section Officer (IC-I) with immediate effect until further orders.

This issues with the approval of Secretary, Ministry of National Food Security and Research.

TAHIR MEHMOOD QURESHI,
Deputy Secretary.

Islamabad, the 4th November, 2020

No. F. 2-7/2018-Admn-III (NFDC).—Mr. Abdul Quddus Research Officer (BS-17), National Fertilizer Development Centre (NFDC), Ministry of National Food Security & Research, has assumed the charge of Research Officer on 20th August, 2020 (after availing two years *ex-Pakistan* leave (without pay) with effect from 5th December, 2018).

MUREED HUSSAIN JASRA,
Section Officer (Admn-III).

[FEDERAL WATER MANAGEMENT CELL]

Islamabad, the 4th November, 2020

No. F. 1-10/95-Estt (WM).—Consequent upon approval of the Director General (WM), Mr. Muhammad Hanif Kandhro, Research Officer (BS-17), Federal Water Management Cell

is granted fifty nine (59) days leave on full pay with effect from 11th November, 2020 to 8th January, 2021.

On expiry of above leave, he will resume his duty on the same post and station.

TEHMEENA IQBAL,
Research Officer (Admn).

MINISTRY OF NATIONAL HEALTH SERVICES,
REGULATIONS & COORDINATION

Islamabad, the 2nd November, 2020

No. F. 1-796/2019-Estab-III.—With the approval of competent authority *i.e.* Secretary, Ministry of National Health Services, Regulations & Coordination (NHSR&C), the services of Dr. Abbas Ali Khan, Medical Officer (BS-17), Pakistan Institute of Medical Sciences (PIMS), Islamabad are terminated with effect from 1st August, 2020.

ZAFAR IQBAL,
Deputy Secretary (Tech-I).

Islamabad, the 2nd November, 2020

No. F. 20(189)/2013-Admn-I.—In pursuance of Ministry's notification of even number dated 20th October, 2020, Mr. Ashfaq Ahmed Anjum has relinquished the charge of the post of Private Secretary (BS-17), M/o. NHSR&C with effect from 1st October, 2020.

On granting BS-18 as Private Secretary, he has assumed the charge of the post of Private Secretary (BS-18), M/o. NHSR&C with effect from 1st October, 2020.

No. F. 9-92/2014-Admn-I.—The competent authority *i.e.* Secretary, Ministry of National Health Services, Regulation and Coordination has been pleased to approve the following composition of Departmental Selection Committee (DSC), Departmental Promotion Committee (DPC) for the posts in the project "Enhancement of National Health Services, Regulations and Coordination ICT Infrastructure" as under:

S. No.	Pay Scale of the Posts	Composition of DPC/DSC	
1.	Posts in PPS (7-8)	Secretary, M/o. NHSR&C	Chairman
		Additional Secretary, M/o. NHSR&C	Member
		Joint Secretary (Admn & Finance), M/o. NHSR&C	Member
		Director (P&D), M/o. NHSR&C	Member
2.	Posts in PPS (1-6)	Additional Secretary, M/o. NHSR&C	Chairman
		Joint Secretary (Admn & Finance), M/o. NHSR&C	Member
		Deputy Secretary (Admn-I), M/o. NHSR&C	Member
		Director (P&D), M/o. NHSR&C	Member

FARHAN SIKANDAR,
Section Officer (Admn-I).

Islamabad, the 2nd November, 2020

No. F. 1-10-2020/NIRM-(T-IV).—In continuation of this Ministry's notification of even number dated 27th October, 2020, Dr. Irfan Abbas Shah, Joint Secretary (C&D), M/o. NHSR&C shall be the Chairman of the inquiry committee.

No. F. 6-63/2015-FMDC-(T-IV).—On the recommendation of Federal Public Service Commission *vide* Letter No. F. 4-157/2019-R-FS-II, dated 10th August, 2020 and in pursuance of this Ministry's Memorandum No. 6-63/2015-H-III-FM&DC dated 25th August, 2020, Mr. Arslan Sarwer has assumed the charge of the post of Pharmacist (BS-17) in Federal Medical & Dental College, Islamabad with effect from 3rd September, 2020.

IMRAN ALI,
Section Officer (T-IV).

MINISTRY OF NARCOTICS CONTROL

Islamabad, the 13th November, 2020

No. F. 2-9/94-ANF.—In light of recommendations of FR-17(1) committee meeting held on 6th May, 2020 conveyed by Finance Division *vide* Letter No. 3(1)/2020, FR-17 dated 13th August, 2020, Mr. Muhammad Riaz Soomro, Director (BS-20) is granted antedated promotion to the post of Director (BS-20) with effect from 18th March, 2013 with consequential benefits.

JAMAL TAYYAB,
Deputy Secretary (Admn).

Islamabad, the 11th November, 2020

No. F. 2/9/96-ANF.—In pursuance of Establishment Division's O.M. No. 4/3/2019-E-4 dated 30th September, 2020, PA-34537 Col. Muhammad Kamran Abbasi has assumed the charge of the post of Joint Director (BS-19), HQ Anti Narcotics Force, Rawalpindi with effect from 1st November, 2020.

MUHAMMAD HASSAN ABDULLAH,
Section Officer (ANF).

MINISTRY OF OVERSEAS PAKISTANIS AND HUMAN
RESOURCE DEVELOPMENT

Islamabad, the 5th November, 2020

No. 9-11/2016-Emig-I.—The competent authority *i.e.* Secretary OP&HRD has been pleased to relieve Mr. Muhammad Muzzammil Hussain, Research Officer (BS-17), Bureau of Emigration & Overseas Employment to join his new assignment upon his selection as Assistant Chief (BS-18), Devolution and Area Development (Rural Development & Local Planning) Section in M/o. Planning Development & Special Initiatives. The officer has been granted right of lien for one year.

SHAZIA NAUREEN,
Section Officer (Emig-I).

Islamabad, the 9th November, 2020

No. PF. 1(9)/2017-Admn-I.—In pursuance of Establishment Division's Notification No. F. 1-95/2012-E-2, dated 18th September, 2020, Mr. Azhar Iqbal Hashmi, Deputy Secretary (BS-19) has relinquished the charge of the post of Deputy Secretary, Ministry of Overseas Pakistanis and Human Resource Development on 9th November, 2020.

RAJA SHAHROZE ABBAS,
Section Officer (Admn-I).

MINISTRY OF PLANNING, DEVELOPMENT &
SPECIAL INITIATIVES

Islamabad, the 6th November, 2020

No. 11(4)EG/HRM-II/PD/2006.—This Ministry's notification of even number dated 17th September, 2020 regarding transfer of Dr. Imtiaz Ahmed, Economic Advisor (BS-21), Economists Group from Finance Division and posting in the Ministry of Planning, Development & Special Initiatives as Joint Chief Economist (BS-21) is withdrawn *ab initio*.

SEHRISH GHAYAS,
Section Officer (HRM-II).

Islamabad, the 5th November, 2020

No. PF. 7(150)HRM-V/PDSI/11.—Mr. Altaf Ahmed, Assistant Private Secretary (BS-16) of this Ministry is granted 30 days leave on full pay with effect from 9th November, 2020 to 8th December, 2020, under the Revised Leave Rules, 1980.

On expiry of the leave, he will resume his duty in this Ministry at the same post.

SHAHID AHMED,
Section Officer.

[PLANNING COMMISSION]

Islamabad, the 2nd November, 2020

No. 1(39)HRM-III/PD&SI/2020.—Mr. Niaz Ali Khan, Section Officer (Admn-V), Ministry of Planning, Development and Special Initiatives is allowed to hold additional charge of the vacant post of Section Officer (Admn-II) in addition to his own duties, with immediate effect, for a period of 90 days or till joining of regular incumbent, whichever is earlier.

AMBREEN MAZHAR,
Section Officer.

Islamabad, the 6th November, 2020

No. 10(27)HRM-I/PD&SI/13.—Mr. Zohair Fazil, Deputy Chief (BS-19), Transport & Communication Section,

Ministry of Planning, Development and Special Initiatives has been allowed to hold current charge of the vacant post of Chief (BS-20) in the same Section, in addition to his own duties, with effect from 1st October, 2020 for a maximum period of 90 days or till joining of regular incumbent, of the post whichever is earlier.

No. 8(40)HRM-I/PD/17.—After availing 15 days Rest & Recreation leave from 19th October, 2020 to 2nd November, 2020 granted to him *vide* this Ministry's notification of even number dated 2nd October, 2020, Mr. Khan Bahadar, Research Officer (BS-17), Food Agriculture & Climate Change Section, Ministry of Planning, Development & Special Initiatives has resumed charge of his post in the same Section on 3rd November, 2020.

SAEED AHMED RAHOOJO,
Section Officer (HRM-I).

MINISTRY OF RELIGIOUS AFFAIRS AND INTERFAITH
HARMONY

Islamabad, the 9th November, 2020

No. 9(24)/2018-FA.—Consequent upon the Controller General of Account's Notification No. 682/CGA/Estt/ AAO/ RA/PT/24-C dated 21st September, 2020, Mr. Tafazzal Hussain Syed, Assistant Accounts Officer (BS-17), an officer of Military Accountant General, Rawalpindi has assumed the charge of the post of Assistant Accounts Officer (BS-17) on 29th October, 2020 in Directorate of Hajj, Lahore on deputation basis, initially for a period of three years, on standard terms and conditions.

No. 11(1)/2008-HA-I.—Consequent upon Ministry of Religious Affairs and Interfaith Harmony, Islamabad's Office Order of even number dated 20th October, 2020, Mr. Allah Ditta has relinquished the charge of the post of Deputy Assistant Director (BS-16) in the Directorate of Hajj, Peshawar on 22nd October, 2020 and assumed the charge of his post in the Directorate of Hajj, Islamabad on 23rd October, 2020.

ABID SAEED,
Section Officer (HA).

NATIONAL ASSEMBLY SECRETARIAT

Islamabad, the 14th December, 2020

No. G(371)/E-I(186).—In pursuance of the Establishment Division's Notification No. 1/305/2020-E-4, dated 1st December, 2020, Mr. Muhammad Farooq has relinquished charge of the post of Section Officer (BS-18) in this Secretariat with immediate effect to join his new assignment at the National Institute of Management, Peshawar of NSPP.

No. G(222)/Estt-I(187).—On expiry of the leave granted *vide* this Secretariat's Notification G(222)/Estt-I (161) dated 16th October, 2020, Mr. Raqeeb Khan,

Assistant Private Secretary (BS-16) in the National Assembly Secretariat has resumed the charge of the same post with effect from 14th December, 2020.

SHEHRYAR KHAN,
Section Officer.

SENATE SECRETARIAT

Islamabad, the 15th December, 2020

No. M(563)/2007-HRM (187).—Mian Muhammad Sohail Idris, Assistant Private Secretary (BPS-17), Senate Secretariat, Islamabad is granted 26 days leave on full pay on medical grounds with effect from 16th November, 2020.

After expiry of the leave, he is likely to resume duty of the same post at Islamabad.

ZAHOO AHMED,
Section Officer (HRM).

SUPREME COURT OF PAKISTAN

Islamabad, the 8th December, 2020

No. F. 24/890/2018-SCA.—The competent authority has been pleased to accept the resignation tendered by Malik Najam Farooq Alvi, Director IT (BS-19), performing duties in this Court, on contract basis, with immediate effect.

A. SHABBIR KHAN KHATTAK,
Deputy Registrar (Admn).

Islamabad, the 9th December, 2020

No. F. 24/895/2019-SCA.—Mr. Suresh Kumar, Judicial Assistant (BS-16) of this Court is granted six (06) days' leave on full pay with effect from 7th December, 2020 to 12th December, 2020 on account of private affairs, subject to verification of title of his leave account by the AGPR, Islamabad.

Islamabad, the 11th December, 2020

No. F. 24/490/94-SCA.—In continuation of this Court's Notification No. F. 1/21/2016-SCA dated 7th January, 2020, the probationary period of Mr. Irshad Hussain, Assistant Registrar (BS-19) of this Court is extended for a further period of one year with effect from 17th December, 2020.

This issues with the approval of the competent authority.

No. F. 24/548/97-SCA.—In continuation of this Court's Notification No. F. 1/21/2016-SCA dated 7th January, 2020, the probationary period of Mr. Nazir Muhammad, Assistant Registrar (BS-19) of this Court is extended for a further period of one year with effect from 17th December, 2020.

This issues with the approval of the competent authority.

PERVAIZ IQBAL,
Assistant Registrar (Admn).



The Gazette of Pakistan

PUBLISHED BY AUTHORITY

KARACHI, WEDNESDAY, FEBRUARY 3, 2021

PART II

Notifications issued by Ministry of Defence and Ministry of Defence Production

Karachi, the 3rd February, 2021

MINISTRY OF DEFENCE

(Defence Division)

No. 82/2021 :

Following officers of Pakistan Air Force are promoted to the substantive rank of Sqn. Ldr. with effect from dates as mentioned against their names, declared suitable and medically fit by the AHQ, Islamabad.

S. No.	Particulars of Officers	w.e.f
1.	Flt. Lt. Haris Ali Khan Pak/14289 Engg.	8th December, 2017
2.	Flt. Lt. Naveed Aslam Pak/13968 AD.	1st January, 2019
3.	Flt. Lt. Muhammad Waqas Haider Pak/14318 AD.	25th March, 2020
4.	Flt. Lt. Shahmeer Uqaili Pak/14395 A&SD.	30th March, 2020
5.	Flt. Lt. Jawad Ahmad Bakhshi Pak/14828 Engg.	4th April, 2020
6.	Flt. Lt. Nameer Javed Pak/14831 Engg.	4th April, 2020
7.	Flt. Lt. Muhammad Nawaz Pak/14502 Log.	20th May, 2020
8.	Flt. Lt. Waqar Anjum Pak/14503 Log.	20th May, 2020
9.	Flt. Lt. Nadeem Ahmed Pak/14504 Log.	20th May, 2020
10.	Flt. Lt. Muhammad Waseem Chaudhry Pak/14505 Log.	20th May, 2020
11.	Flt. Lt. Muhammad Asim Jan Pak/14513 Engg.	10th June, 2020

[No. 12357/23/Mng/PB/871/D-10 (AF-II)/2020].

No. 83/2021 :

The following officers of Pakistan Air Force (on probation) are confirmed and promoted to the substantive rank of Flg. Off. with effect from 7th October, 2017, declared suitable and medically fit by the AHQ, Islamabad.

S. No.	Particulars of Officers
1.	Plt. Off. Wahaj Amjad Pak/17930 Engg.
2.	Plt. Off. Muhammad Shajeeh Mustafa Pak/17931 Engg.
3.	Plt. Off. Syeda Umm e Aymon Raza Naqvi Pak/17932 Engg.
4.	Plt. Off. Muhammad Hasnain Quraishi Pak/17933 Engg.
5.	Plt. Off. Yasir Munir Pak/17934 Engg.
6.	Plt. Off. Anam Riaz Pak/17935 Engg.
7.	Plt. Off. Haziq Amjad Pak/17936 Engg.
8.	Plt. Off. Muhammad Zubair Mahmood Pak/17937 Engg.
9.	Plt. Off. Shan Ul Haq Pak/17938 Engg.
10.	Plt. Off. Shafiq Ur Rehman Marwat Pak/17941 Engg.
11.	Plt. Off. Rana Shaharyar Pak/17942 Engg.
12.	Plt. Off. Ozair Bin Noor Pak/17943 Engg.
13.	Plt. Off. Muhammad Sarim Bajwa Pak/17944 Engg.
14.	Plt. Off. Sabih Ahmed Ch. Pak/17945 Engg.
15.	Plt. Off. Syeda Wafa Haider Sabzwari Pak/17946 Engg.
16.	Plt. Off. Danial Pak/17947 Engg.
17.	Plt. Off. Masroor Khan Pak/17948 Engg.
18.	Plt. Off. Abdul Mubeen Siddiqui Pak/17949 Engg.

S. No.	Particulars of Officers
19.	Plt. Off. Muhammad Sajjad Afridi Pak/17951 Engg.
20.	Plt. Off. Mirza Ali Aamir Baig Pak/17953 Engg.
21.	Plt. Off. Yahya Salah Ud Din Pak/17954 Engg.
22.	Plt. Off. Asad Ali Pak/17955 Engg.
23.	Plt. Off. Rida Waqar Pak/17956 Engg.
24.	Plt. Off. Naqash Javed Pak/17958 Engg.

[No. 12357/23/Mng/PB/872/D-10 (AF-II)/2020].

No. 84/2021 :

The following officers of Pakistan Air Force (on probation) are confirmed and promoted to the substantive rank of Flg. Off. with effect from 7th October, 2016, declared suitable and medically fit by the AHQ, Islamabad.

S. No.	Particulars of Officers
1.	Plt. Off. Raza Ali Pak/17901 GD (P).
2.	Plt. Off. Muhammad Aqib Riaz Pak/17905 GD (P).
3.	Plt. Off. Muhammad Aamir Islam Pak/17906 GD (P).
4.	Plt. Off. Waqas Shafqat Pak/17909 GD (P).
5.	Plt. Off. Sameed Tariq Pak/17910 GD (P).
6.	Plt. Off. Naseer Ullah Pak/17911 GD (P).
7.	Plt. Off. Bint-e-Zainab Pak/17913 GD (P).
8.	Plt. Off. Muhammad Aarsal Khawaja Pak/17914 GD (P).
9.	Plt. Off. Muhammad Abdullah Butt Pak/17915 GD (P).
10.	Plt. Off. Muhammad Tashfeen Tahir Pak/17916 GD(P).

S. No.	Particulars of Officers
11.	Plt. Off. Ali Hassan Pak/17918 GD (P).
12.	Plt. Off. Shafqat Bari Pak/17919 GD (P).
13.	Plt. Off. Nabil Javid Pak/17920 GD (P).
14.	Plt. Off. Syed Nofal Ali Sherazi Pak/17922 GD (P).
15.	Plt. Off. Danial Ahmed Pak/17923 GD (P).
16.	Plt. Off. Muzammil Ahmad Sabri Pak/17925 GD (P).
17.	Plt. Off. Muhammad Ibrahim Sarwar Pak/17927 GD (P).
18.	Plt. Off. Basit Iftikhar Pak/17928 GD (P).
19.	Plt. Off. Waqas Shahbaz Pak/17929 GD (P).

[No. 12357/23/Mng/PB/873/D-10 (AF-II)/2020].

No. 85/2021 :

The following officers of Pakistan Air Force (on probation) are confirmed and promoted to the substantive rank of Flg. Off. with effect from 12th April, 2018, declared suitable and medically fit by the AHQ, Islamabad.

S. No.	Particulars of Officers
1.	Plt. Off. Imran Khan Pak/18177 AD.
2.	Plt. Off. Muhammad Huzaifa Pak/18178 AD.
3.	Plt. Off. Muhammad Ali Pak/18179 AD.
4.	Plt. Off. Wajahat Noor Pak/18180 AD.
5.	Plt. Off. Muhammad Bilal Ahmad Pak/18181 AD.
6.	Plt. Off. Hafiz Habib Ur Rehman Pak/18182 AD.
7.	Plt. Off. Abdul Rahman Sarwar Pak/18183 AD.
8.	Plt. Off. Atif Mehmood Awan Pak/18184 AD.
9.	Plt. Off. Muneeb Saleem Pak/18185 AD.

S. No.	Particulars of Officers
10.	Plt. Off. Muhammad Huzafah Khalid Pak/18186 AD.
11.	Plt. Off. Hassan Tariq Khan Pak/18187 AD.
12.	Plt. Off. Muhammad Riaz Husasin Pak/18188 AD.
13.	Plt. Off. Muhammad Hassan Irshad Pak/18189 AD.
14.	Plt. Off. Malik Abdul Haseeb Pak/18191 AD.
15.	Plt. Off. Syed Muhammad Farooq Pak/18192 AD.

[No. 12357/23/Mng/PB/874/D-10 (AF-II)/2020].

No. 86/2021 :

Following officers of Pakistan Air Force are promoted to the substantive rank of Sqn. Ldr. with effect from 21st June, 2020, declared suitable and medically fit by the AHQ, Islamabad.

S. No.	Particulars of Officers
1.	Flt. Lt. Muhammad Khurram Razzaq Pak/15725 Engg.
2.	Flt. Lt. Muhammad Farooq Pak/15726 Engg.
3.	Flt. Lt. Mazhar Ali Butt Pk/15727 Engg.
4.	Flt. Lt. Fahim Rafiq Pak/15730 Engg.
5.	Flt. Lt. Adnan Yusuf Pak/15732 Engg.
6.	Flt. Lt. Muhammad Ansar Naseer Pak/15740 Edu.
7.	Flt. Lt. Muhammad Jehanzeb Ashraf Pak/15741 Edu.
8.	Flt. Lt. Ishtiaq Ahmad Pak/15742 Edu.
9.	Flt. Lt. Aamir Nawaz Pak/15743 Edu.
10.	Flt. Lt. Kashif Ur Rehman Pak/15747 Edu.

[No. 12357/23/Mng/PB/875/D-10 (AF-II)/2020].

No. 87/2021 :

The under mentioned JCOs of Pakistan Air Force, holders of Tamgha-i-Khidmat (Military) Class-I, are granted the honorary rank of Flight Lieutenant on retirement, with effect from the dates they are struck off from PAF strength as indicated against their names under the provision of Para 29(f) of Warrant of Institution of Operational and Non-operational Awards for the Armed Forces-1999 issued *vide* Ministry of Defence Notification No.F.1/4/D-25/96, dated 22nd September, 1999 :-

Pakistan Air Force

S. No.	Rank	Name	Pak No.	Trade	Date of SOS
1.	CWO	Shafqat Ali	857988	Ro Fitt. (A)	5th August, 2021
2.	CWO	Anjum Masood	859566	Eng. Fitt.	8th September, 2021
3.	CWO	Muhammad Tanveer	856353	Armt. Fitt.	13th September, 2021
4.	CWO	Sajid Ali	858119	Rad Fitt. (A)	29th September, 2021
5.	CWO	Najeeb Ullah Khan	857052	Eng. Fitt.	2nd October, 2021
6.	CWO	Manzoor Sultan	859602	Eng. Fitt.	7th October, 2021
7.	CWO	Raza i Mustafa Gondal	486908	Sectt. Asstt.	9th October, 2021

[No. F. 7/1/D-25/2020/A].

No. 88/2021 :

The under mentioned JCOs of Pakistan Air Force, holders of Tamgha-i-Khidmat (Military) Class-I, are granted the honorary rank of Flight Lieutenant on retirement, with effect from the dates they are struck off from PAF strength as indicated against their names under the provision of Para 29(f) of Warrant of Institution of Operational and Non-operational Awards for the Armed Forces-1999 issued *vide* Ministry of Defence Notification No.F.1/4/D-25/96, dated 22nd September, 1999 :-

Pakistan Air Force

S. No.	Rank	Name	Pak No.	Trade	Date of SOS
1.	CWO	Muhammad Rafique	485823	Med Asstt.	23rd September, 2020
2.	CWO	Sarfraz Ahmad Anjum	856778	Eng. Fitt.	1st October, 2020
3.	CWO	Muhammad Anwar ul Haq	859048	Eng. Fitt.	27th December, 2020
4.	CWO	Muhammad Nazir	859156	Eng. Fitt.	7th March, 2021
5.	CWO	Manzoor Hussain	859187	Ro Fitt. (G)	4th June, 2021
6.	CWO	Muhammad Aslam	858020	Rad Fitt. (A)	3rd July, 2021
7.	CWO	Muhammad Amir Ishaq	858336	Afr. Fitt.	8th July, 2021
8.	CWO	Niazmeen Khan	486676	Accts. Asstt.	1st September, 2021
9.	CWO	Noor Muhammad	489236	Sectt. Asstt.	1st September, 2021

[No. F. 7/1/D-25/2020/A].

No. 89/2021 :

You, Mr. Muhammad Qasim, Secondary School Teacher (BS-17), F.G. Public School Parachinar, was proceeded against under the provisions of the Government Servants (Efficiency & Discipline) Rules, 1973, hereinafter to be referred as Rules, on the charge of wilful absence from duty, with effect from 29th January, 2019.

2. You were served with a Show Cause Notice on 15th April, 2019. Subsequently, on your request, the authorized officer granted you personal hearing on 23rd May, 2019. Taking a lenient view, you were allowed to join your duty in FGEI (C/G) setup. Instead of joining your place of posting at Parachinar, you applied for leave from 25th May, 2019 to 24th June, 2019, which was granted to you. Subsequently you requested for extension in leave from 25th June, 2019 to 24th July, 2019, which was regretted by FGEI (C/G) Dte, and you were directed to join your place of duty. You joined your duty on 2nd September, 2019 but absented yourself from duty the very next day *i.e.* 3rd September, 2019.

3. Another Show Cause Notice was served upon you on 22nd January, 2020. While requesting for personal hearing, you asked for your posting back to home station-Panoaqil. Your Personal Hearing was scheduled for 21st April, 2020, which could not materialize due to COVID-19 situation. You excused yourself for appearing on the next date of Personal Hearing, scheduled for 16th June, 2020, owing to health problems. Another opportunity of Personal Hearing was granted to you on 24th September, 2020.

4. The available record was thoroughly perused and during Personal Hearing, it was observed that you did not have any plausible and convincing reply to offer, regarding your persistent absence from duty.

5. Therefore, keeping in view your wilful absence from duty for almost 11 months, with effect from 3rd September, 2019 to 24th September, 2020, the Secretary Defence, being competent authority, has decided to impose major penalty of Reduction to Lower Post *i.e.* from Secondary School Teacher (BS-17) to Trained Graduate Teacher (BS-16) for a period of two (02) years upon you, Mr. Muhammad Qasim, SST, (BS-17), F.G. Public School Parachinar, with immediate effect.

[No. F.7/1/D-22/2019].

No. 90/2021 :

Mr. Naeem Nawaz, Section Officer, Defence Division has been granted leave with full pay for 90 days, with effect from 1st December, 2020.

[No. 5/3/18/D-26 (Admin-I)].

No. 91/2021 :

During official visit to Lt. Gen. (Retd.) Mian Muhammad Hilal Hussain, Secretary Defence to Turkey from 20th to 24th December, 2020, Rear Admiral Mirza Foad Amin Baig, HI(M), Additional Secretary-III, Ministry of Defence will perform as Acting Secretary Defence, Ministry of Defence.

This issues with the approval of Prime Minister's Office, Islamabad's U.O. No. 2635/SPM/2020, dated 8th December, 2020.

[No. 1/10/2019/D-26(Admin-I)].

No. 92/2021 :

Dr. Muhammad Nasir Saleem, Section Officer, Defence Division has been granted leave with full pay for 45 days, with effect from 16th December, 2020.

[No. 2/8/2019/D-26 (Admin-I)].

MIAN MUHAMMAD HILAL HUSSAIN, *HI(M)*,
Lt. Gen. (Retd.),
Secretary.

MINISTRY OF DEFENCE PRODUCTION
No. 93/2021 :

In pursuance of *vide* Military Secretary Branch Letter No. 0354/MoDP/MS-4A, dated 27th November, 2020, PA-30672, Major General Akif Iqbal, Infantry has relinquished the charge of the post of Additional Secretary (BPS-21), Ministry of Defence Production, Rawalpindi on 4th December, 2020.

[No. 2/1/2019/DP-2].

MUHAMMAD AWAIS QARNI,
Section Officer.

[AIRCRAFT REBUILD FACTORY PAC BOARD]

No. 94/2021 :

The Chairman PAC Board Kamra is pleased to appoint Mr. Muhammad Abdullah as AWM Engg. (Mechanical) in BPS-17 at ARF PAC Kamra on contract for a period of two years from 2nd December, 2020 to 1st December, 2022 on pay package of Rs. 58,605/- per month.

The officer has assumed the charge of the post of AWM Engg. (Mech.) in BPS-17, with effect from 2nd December, 2020 (FN) at ARF PAC Kamra and allotted service No. ARF/6639.

[No. ARF/3141/1/PC].

TAHIR MAHMOOD, *Group Captain (R)*,
Director HRM.

The Gazette of Pakistan

PUBLISHED BY AUTHORITY

KARACHI, WEDNESDAY, FEBRUARY 3, 2021

PART III

Notifications issued by the High Courts, the Federal Public Service Commission and by the Attached and Subordinate Offices of the Government of Pakistan

FEDERAL PUBLIC SERVICE COMMISSION

Islamabad, the 22nd December, 2020

No. F.15-349/2020-HR-I.—In pursuance of Establishment Division's Notification No.F.41/2/2019-E-1 dated 9th November, 2020, Mr. Muhammad Tahir has assumed the charge of the office of Member, FPSC with effect from 30th November, 2020. The oath of the Member has been administered by the Chairman on 22nd December, 2020 under Section 4-A of the Federal Public Service Commission Ordinance, 1977.

No. F.15-348/2020-HR-I.—In pursuance of Establishment Division's Notification No.F.41/2/2019-E-1 dated 9th November, 2020, Mr. Muhammad Nafees Zakaria has assumed the charge of the office of Member, FPSC with effect from 17th November, 2020. The oath of the Member has been administered by the Chairman on 22nd December, 2020 under Section 4-A of the Federal Public Service Commission Ordinance, 1977.

UNSAR HAYAT GONDAL,
Director (HR).

No. F.1-ATP/HQ/(Ad)/2020.—Consequent of this office notification of even number, dated 28th October, 2020, Mr. Muhammad Irfan Khan, Assistant Registrar (BS-16) has assumed the charge of the office of Assistant Registrar (BPS-16) Appellate Tribunal Inland Revenue, Bench-VII, Karachi on 6th day of November, 2020 (F.N).

ABDUL RASHEED UJJAN,
Assistant Registrar (Admn).

CENTRAL DIRECTORATE OF NATIONAL SAVINGS

Islamabad, the 12th November, 2020

No. F.5(22)Admn-II/84-II.—Mrs. Shaista Amin, Assistant Director (BS-18), Sub-Training Institute of National Savings, Karachi shall stand retired from Government Service on 16th January, 2021, on attaining the age of superannuation (being date of Birth as 17th January, 1961).

In terms of Section 18-A (I) of the Revised Leave Rules 1980, read with Finance Division's SRO No.70(KE)/2012 dated 29th August, 2012 and O.M. dated 28th January, 2013, the competent authority has also approved 365 days leave encashment in lieu of LPR in respect of above named officer. Leave pay for the purpose of encashment of LPR shall be computed on the basis of pay and allowances reckonable towards pension as shown in her last pay certificate.

ASIM MUSHTAQ,
Assistant Director (HR-II).

APPELLATE TRIBUNAL INLAND REVENUE

(Headquarters)

Islamabad, the 11th November, 2020

No. F.1-ATP/HQ/(Ad)/2020.—Consequent of this office notification of even number, dated 28th October, 2020, Mr. Muhammad Irfan Khan, Assistant Registrar (BS-16) has relinquished the charge of the office of Assistant Registrar (BPS-16) ATIR, Peshawar Bench, Peshawar on 29th day of October, 2020 (A.N).

Islamabad, the 13th November, 2020

No. F.26(1)/Admn-I/2019.—In exercise of the powers delegated to the Head of the Department *vide* Establishment Division's O.M. No.1/21/76-AR-R-II, dated 18th June, 1980, Director General, National Savings, has been pleased to appoint Mr. Intizar Uddin, Assistant National Savings Officer (BS-14), Regional Directorate of National Savings, Karachi, against the vacant post of National Savings Officer (BS-17), on current charge basis, with immediate effect, till retirement on voluntary basis or posting of National Savings Officer on regular basis, whichever is earlier.

He will draw pay in his own scale as BS-14 Officer *plus* additional pay equal to 20% of his scale of pay subject to a maximum of Rs.12000/- per month in terms of FR-35 and provision to section 17 of the Civil Servants Act, 1973 read with Finance Division's O.M. No.F.1(3)Imp/2017-500, dated 3rd July, 2017.

No. F.1(24)Admn-I/82-I.—Mr. Waqar Ahmed, Assistant Private Secretary (BS-16), Central Directorate of National Savings, Islamabad, shall stand retired from Government service with effect from 5th May, 2021, on attaining the age of superannuation (being date of Birth as 6th May, 1961). The approval regarding 365 days leave encashment in lieu of 365 days LPR with effect from 6th May, 2020 to 5th May, 2021.

This issues with the approval of Director General, National Savings.

MADIHA TAHIR,
National Savings Officer (HR).

COUNCIL OF ISLAMIC IDEOLOGY

Islamabad, the 4th November, 2020

No. F.1(252)/2000-Admn-CII/616.—The competent authority *i.e.* Chairman, Council of Islamic Ideology has been pleased to terminate the probation of Dr. Inamullah, Director General (Research) (BPS-20), with effect from 27th October, 2020.

No. F.4(9)/2007-Admn-CII/617.—The competent authority *i.e.* Chairman, Council of Islamic Ideology has been pleased to terminate the probation of Dr. Ghulam Dastgeer Shaheen, Chief Research Officer (BPS-19), with effect from 27th October, 2020.

No. F.4(70)/2013-Admn-CII/621.—On successful completion of probation period of one year from 28th October, 2019 to 27th October, 2020, probation period of Mr. Abdul Rashid, Senior Research Officer (BPS-18) Council of Islamic Ideology, Islamabad is terminated with effect from 28th October, 2020.

This issues with the approval of the competent authority *i.e.* Chairman, Council of Islamic Ideology, Islamabad.

MUHAMMAD ATIQ-UR-RAHMAN,
Deputy Director (Admn/HR).

DIRECTORATE OF ELECTRONIC MEDIA
AND PUBLICATIONS

Islamabad, the 11th November, 2020

No. 7-23/2010-E.—Syed Qasim Zafar Hashmi, Assistant Private Secretary (BPS-16) in this Directorate is granted 12 days leave on full pay with effect from 23rd November, 2020 to 4th December, 2020 alongwith permission to affix closed holidays falling on 21st November, 2020 to 22nd November, 2020 (Saturday, Sunday) and 5th December, 2020 to 6th December, 2020 (Saturday, Sunday).

After expiry of leave Syed Qasim Zafar Hashmi, Assistant Private Secretary will resume his duty on the same post and at the same station on 7th December, 2020.

This issues with the approval of the Director General.

EHSAN ULLAH SHAHZAD,
Deputy Director (Admin).

FEDERAL GOVERNMENT POLYCLINIC

(Postgraduate Medical Institute)

Islamabad, the 7th November, 2020

No. FGPC-1/3454/94.—Mr. Ejaz Aslam, Charge Nurse (BS-17) of Federal Government Polyclinic, Islamabad has resumed duty on 23rd September, 2020 after availing leave details as under:-

- i. Medical leave with effect from 8th September, 2020 to 15th September, 2020 (08 days)
- ii. Granted extension in leave on medical grounds with effect from 16th September, 2020 to 22nd September, 2020 (06 days).

No. FGPC-1/4917/2010.—Ms. Sajida Batool, Charge Nurse (BS-16) of Federal Government Polyclinic, Islamabad has been granted leave on full pay with effect from 25th September, 2020 to 10th October, 2020 (16 days). Now she has resumed duty on 11th October, 2020 after availing leave, this office Letter No.FGPC-1/4917/10 dated 21st September, 2020 is hereby withdrawn/cancelled.

Islamabad, the 12th November, 2020

No. PF.1/5369/18.—Dr. Maliha Batool Bukhari, Medical Officer (BS-17) Federal Government Polyclinic, Islamabad was granted 84 days maternity leave (1st) on full pay with effect from 11th August, 2020 to 8th November, 2020.

After availing above leave, she has joined her duty in this Hospital with effect from 9th November, 2020.

No. FGPC-1/5044/2011.—Ms. Saira Ashraf, Charge Nurse (BS-16) of Federal Government Polyclinic, Islamabad has been granted leave on full pay with effect from 10th October, 2020 to 19th October, 2020 (10 days). Now she has resumed duty on 20th October, 2020 after availing leave.

No. FGPC-1/4464/2006.—Ms. Farzana Hanif, Charge Nurse (BS-16) of Federal Government Polyclinic, Islamabad was granted leave on medical grounds with effect from 1st October, 2020 to 14th October, 2020 (16 days). Now she has resumed duty on 15th October, 2020 after availing leave.

No. FGPC-1/4508/2006.—Ms. Gul Begum, Charge Nurse (BS-16) of Federal Government Polyclinic, Islamabad was granted Quarantine leave with effect from 12th October, 2020 to 22nd October, 2020 (11 days). Now she has resumed duty on 23rd October, 2020 after availing leave.

DR. FAROOQ AKHTAR,
Dy. Executive Director.

GENERAL HEADQUARTERS FGEI (C/G) DIRECTORATE

(IGT & E's Branch)

Rawalpindi, the 12th November, 2020

No. 04/1/6/2020/PSDP-FGEI(Dev).—In compliance with CDWP direction, it is hereby notified that there will be equal fee structure for Army as well as Civilians in FG Degree College for Boys at Kohat.

NAUMAN ASAD SHEIKH, *Lt. Col.*
For Director General.

Rawalpindi, the 10th November, 2020

No. 04/PF-06/Gen-FGEI(CA).—Ms. Nishat, Lecturer in HPE (BPS-17), FG Degree College, Hyderabad Cantt. is granted 30 days leave on full pay with effect from 12th November, 2020 to 11th December, 2020 on private affairs.

On expiry of above leave, she is expected to resume her duty at Hyderabad.

MUHAMMAD GHAFAR, *Lt. Col.*
For Director General.

Rawalpindi, the 13th November, 2020

No. 04/PF-266/77-FGEI(SA).—Mrs. Rafia Haleema, PTI, FG Public School No.2 (Girls) Wah Cantt. is hereby granted 34 days extension in leave on full pay with effect from 8th October, 2019 to 10th November, 2019 on medical grounds.

No. 04/PF-288/77-FGEI(SA).—Mrs. Nishwa Nisar, SST, FG Public Middle School Shami Lines Hyderabad Cantt. is hereby granted 45 days pre-confinement maternity leave on full pay with effect from 22nd September, 2020 to 5th November, 2020.

On expiry of above leave, she will proceed on post-confinement maternity leave.

No. 04/PF-544/77-FGEI(SA).—Mrs. Asmat Batool, SST, FG Minwala Public School (Girls) Karachi Cantt. is hereby granted 62 days leave as EOL without pay with effect from 3rd August, 2020 to 3rd October, 2020 on private affairs.

No. 04/PF-350/77-FGEI(SA).—Mrs. Yasmeen Akhtar, SST, FG Public School (Girls) Kashmir Rd. Rawalpindi Cantt. is hereby granted 07 days leave on full pay with effect from 29th September, 2020 to 5th October, 2020 on medical grounds.

No. 04/PF-693/77-FGEI(SA).—Mrs. Sobia Younis, PTI, FG Public School No.1 (Girls) Bahawalpur Cantt. is hereby granted 06 days leave on full pay with effect from 21st October, 2020 to 26th October, 2020 on medical grounds.

No. 04/PF-524/77-FGEI(M).—Consequent upon his death occurred on 16th October, 2020 the name of Mr. Ghulam Murtaza, DM, (BPS-16), FG Public School, No.1 (Boys) Pano Aqil Cantt. is hereby struck off the strength of the said school with effect from the same date.

No. 04/PF-684/77-FGEI(SA).—Mrs. Farhat Yasmin, SST, FG Junior Public School Gudwal Wah Cantt. is hereby granted 20 days leave on full pay with effect from 9th November, 2020 to 28th November, 2020 on private affairs.

On expiry of above leave, she is expected to resume her duty in the same school at Wah Cantt.

No. 04/PF-997/77-FGEI(SA).—Having exercised the option not to avail LPR on attaining the age of superannuation *i.e.* 60 years on 22nd March, 2021, Mrs. Gul Nargis, Principal, FG JAS Public School PMA Kakul Abbottabad Cantt. is hereby granted encashment in lieu of LPR for 267 days with effect from 29th June, 2020 to 22nd March, 2021 in accordance with Finance Division's O.M. No.F.1(7)R-4/2004 dated 29th August, 2012.

Certified that 267 days leave on full pay is due at her credit as verified by PAO.

She will stand retired from Government Service and her name will be struck off the strength of said school with effect from 22nd March, 2021 (AN).

No. 04/PF-4020/77-FGEI(SA).—Mrs. Qudsia Anjum, TGT, FG Public Middle School (2nd Shift) Walton Rd. Lahore Cantt. is hereby granted 26 days leave on full pay with effect from 14th September, 2020 to 9th October, 2020 on medical grounds.

No. 04/PF-259/77-FGEI(SA).—Mrs. Sajida Bano, SST, FG Public School (2nd Shift) Mehfooz Rd. Rwp. Cantt. is hereby granted 45 days pre-confinement maternity leave on full pay with effect from 5th October, 2020 to 18th November, 2020.

On expiry of above leave, she will proceed on post-confinement maternity leave.

No. 04/PF-470/77-FGEI(SA).—Mrs. Zaitoon Akhtar, TGT, FG Public School (Girls) AMR Rwp. Cantt. is hereby granted 07 days extension in leave on full pay with effect from 29th September, 2020 to 5th October, 2020 on medical grounds.

No. 04/PF-1423/77-FGEI(SA).—Mrs. Samar Munshi, DM, FG Public School No.2 (Girls) Gujranwala Cantt. is hereby granted 23 days post-confinement maternity leave on full pay with effect from 18th September, 2020 to 10th October, 2020.

No. 04/PF-303/77-FGEI(SA).—Mrs. Hina Parveen, TGT, FG Sir Syed Public School (Girls) Rwp. Cantt. is hereby granted 45 days pre-confinement maternity leave on full pay with effect from 28th September, 2020 to 11th November, 2020.

On expiry of above leave, she will proceed on post-confinement maternity leave.

No. 04/PF-724/77-FGEI(SA).—Having exercised the option not to avail LPR on attaining the age of superannuation *i.e.* 60 years on 9th November, 2020, Mrs. Rubina Tahira, SST, FG Sir Syed Public School (Boys) Rwp. Cantt. is hereby granted encashment in lieu of LPR for 273 days with effect from 11th February, 2020 to 9th November, 2020 in accordance with Finance Division's O.M. No.F.1(7)/R-4/2004 dated 29th August, 2012.

Certified that 273 days leave on full pay is due at her credit as verified by PAO.

She will stand retired from Government Service and her name will be struck off the strength of said school with effect from 9th November, 2020 (AN).

ALI RAZA SHAH, *Maj.*
For Director General.

HEADQUARTERS, AIRPORTS SECURITY FORCE

Karachi, the 11th November, 2020

No. 16-1/Prom/2020/FS-2.—Consequent upon Grant of Higher Time Scale *i.e.* BS-17 through Departmental Promotion Committee (DPC) meeting held on 23rd October, 2020 in Cabinet Secretariat (Aviation Division) Islamabad,

the under mentioned Superintendents (BS-16) have taken over the charge of the post of Superintendent (BS-17) at respective stations with effect from the dates as mentioned against each:-

Ser.	Name	Station	Remarks
a.	Shamim Akhtar	HQ ASF	w.e.f. 16-10-2020
b.	Raes Ahmed	HQ ASF	w.e.f. 16-10-2020

Karachi, the 12th November, 2020

No. 51-1005/2017/FS-4/F.—SF-1005 Assistant Director Sakhia Bibi (F) has retired from Government Service with effect from 1st August, 2020. The officer relinquished the charge of the post of Assistant Director at ASF Islamabad Airport and proceeded on LPR with effect from 1st August, 2019 to 31st July, 2020. After expiry of LPR, she stood retired from Government Service on 1st August, 2020.

SHAFIQ-UR-REHMAN,
Additional Director /Force Secretary.

HEADQUARTERS, PAKISTAN COAST GUARDS

Karachi, the 11th November, 2020

No. DG(CG)/1164/11068/A.—PA-46950 Major Muhammad Idrees, Sindh Regiment relinquished the charge of Company Commander 3 Battalion Pakistan Coast Guards with effect from 28th October, 2020. His services have been placed at the disposal of Ministry of Defence with effect from 30th November, 2020.

No. DG(CG)/1164/11066/A.—PA-39911 Major Muhammad Hashim, Baloch Regiment, promoted as Lieutenant Colonel with effect from 3rd November, 2020 and assumed the charge of Commanding Officer 1 Battalion Pakistan Coast Guards (Uthal) with effect from 3rd November, 2020. His services have been loaned to Ministry of Interior with effect from 1st November, 2020.

No. DG(CG)/1164/11067/A.—PA-38698 Lieutenant Colonel Laiq Arshad, Frontier Force Regiment relinquished the charge of Commandant 1 Battalion Pakistan Coast Guards with effect from 3rd November, 2020. His services have been placed at the disposal of Ministry of Defence with effect from 13th November, 2020.

KAMRAN HUSSAIN, *Major*
For Director General.

JINNAH POSTGRADUATE MEDICAL CENTRE

Karachi, the 1st November, 2020

No. PF.2.426/AMK/Admn.1/JPMC.—Mst. Aroona Mehdi Khan D/o. Shamas Mehdi Khan, Charge Nurse of this Centre has been granted LFP for 07 days with effect from 8th November, 2020 to 14th November, 2020, subject to title.

She has resumed her duty on 15th November, 2020.

Karachi, the 3rd November, 2020

No. PF.2.488/WA/Admn.1/JPMC.—Mr. Waheed Ahmed S/o. Bashir Ahmed, Charge Nurse of this Centre has been granted LFP for 10 days with effect from 13th October, 2020 to 22nd October, 2020, subject to title.

He has resumed his duty on 23rd October, 2020.

No. PF.2.193/SA/Admn.1/JPMC.—Mst. Shazia D/o. Muhammad Akram, Charge Nurse of this Centre has been granted LFP for 04 days with effect from 8th October, 2020 to 11th October, 2020, on medical grounds, subject to title.

She has resumed her duty on 12th October, 2020.

No. PF.2-EOL/2020/Admn.1/JPMC.—The unauthorized absence from duty in respect of following Charge Nurses of this Centre has been treated as EOL (without pay and allowances) on the dates noted against each:-

S. No.	Name	Absent Period	Resumed Duty
1.	Mst. Hina Naz Bano	For 02 days w.e.f. 01.09.20 to 02.09.20	03.09.20
2.	Mst. Nazia Imam	For 01 day i.e. 27.09.20	28.09.20
3.	Mr. Hammad Ahmed	For 02 days i.e. 08.09.20 and 17.09.20	09.09.20 and 18.09.20
4.	Mr. Muhammad Tahir Khan	For 02 days i.e. 06.09.20 and 13.09.20	07.09.20 and 14.09.20
5.	Mr. Mehboob Aziz	For 02 days w.e.f. 02.09.20 to 03.09.20	04.09.20
6.	Mst. Rehana Khizan	For 02 days i.e. 02.09.20 and 18.09.20	03.09.20 and 19.09.20
7.	Mr. Khaista Rehman	For 02 days w.e.f. 06.09.20 to 07.09.20	08.09.20
8.	Mst. Samina Khan	For 02 days i.e. 26.09.20 and 30.09.20	27.09.20 and 01.10.20

S. No.	Name	Absent Period	Resumed Duty
9.	Mr. Zaheer Ahmed	For 02 days w.e.f. 15.09.20 and 18.09.20	16.09.20 and 19.09.20
10.	Mst. Najma Parveen Gill	For 02 days i.e. 06.09.20 and 29.09.20	07.09.20 and 30.09.20
11.	Mr. Ashfaq Ahmed	For 02 days w.e.f. 13.09.20 to 14.09.20	15.09.20
12.	Mr. Touseef Ahmed	For 02 days w.e.f. 02.09.20 to 03.09.20	04.09.20
13.	Mst. Zubaida Ghori	For 02 days i.e. 23.09.20 to 28.09.20	24.09.20 and 29.09.20
14.	Mst. Faiza Ghazal	For 03 days w.e.f. 03.09.20 to 04.09.20 and 14.09.20	05.09.20 and 15.09.20
15.	Mst. Rehana Hameed	For 02 days w.e.f. 16.09.20 and 21.09.20	17.09.20 and 22.09.20
16.	Mr. Waheed Ahmed	For 02 days w.e.f. 11.09.20 to 12.09.20	13.09.20
17.	Mr. M. Habib Ahmed Nasir	For 02 days w.e.f. 21.09.20 to 22.09.20	23.09.20
18.	Mst. Sidra Yasmeen	For 03 days i.e. 01.09.20 and 10.09.20 to 11.09.20	02.09.20 and 12.09.20
19.	Mst. Anum Inderyas	For 02 days i.e. 06.09.20 and 18.09.20	07.09.20 and 19.09.20

No. PF.2.353/AA/Admn.1/JPMC.—Mr. Abdul Aziz S/o. Aziz-ur-Rehman, Charge Nurse of this Centre has been granted LFP for 02 days with effect from 16th October, 2020 to 17th October, 2020, on medical grounds, subject to title.

He has resumed his duty on 18th October, 2020.

No. PF.2.430/GS/Admn.1/JPMC.—Mst. Gulnaz Sardar D/o. Sardar, Charge Nurse of this Centre has been granted LFP for 14 days with effect from 25th September, 2020 to 8th October, 2020, subject to title.

She has resumed her duty on 9th October, 2020.

Karachi, the 4th November, 2020

No. PF.2.518/GMS/Admn.1/JPMC.—Mr. Ghulam Moihuddin Siddique S/o. Asif Zia, Charge Nurse of this Centre has been granted LFP for 06 dyas with effect from 10th September, 2020 to 15th September, 2020, on medical grounds, subject to title.

He has resumed his duty on 16th September, 2020.

Karachi, the 7th November, 2020

No. PF.2.362/AS/Admn.1/JPMC.—Mr. Ahtsham Shahzad S/o. Daniel Gil, Charge Nurse of this Centre has been granted LFP for 03 days with effect from 14th October, 2020 to 16th October, 2020, on medical grounds, subject to title.

He has resumed his duty on 17th October, 2020.

No. PF.2.60/KA/Admn.1/JPMC.—Mst. Kulsoom Akhtar D/o. Jan Muhammad, Head Nurse (BPS-17) of this Centre has been granted LFP for 12 days with effect from 5th October, 2020 to 16th October, 2020, subject to title.

She has resumed her duty on 17th October, 2020.

No. PF.2.191/SN/Admn.1/JPMC.—Mst. Sumita Naz D/o. Saleem Naz, Charge Nurse of this Centre has been granted LFP for 06 days with effect from 22nd October, 2020 to 17th October, 2020, on medical grounds, subject to title.

She has resumed her duty on 28th October, 2020.

DR. SEEMIN JAMALI *TI*,
Executive Director.

NATIONAL COUNTER TERRORISM AUTHORITY

Islamabad, the 12th November, 2020

No. 188/HR-I/NACTA/2016(0237).—Mr. Zahid Ullah Khan, a BS-18 Officer of Information Group, presently posted as Deputy Director in NACTA on deputation basis, is granted 14 days leave on full pay (LFP) with effect from 5th November, 2020 to 18th November, 2020.

On expiry of leave, the officer is likely to return to the same post and place.

HAFIZ FARHAN AKRAM,
Assistant Director (HR).

NATIONAL INFORMATION TECHNOLOGY BOARD

Islamabad, the 11th November, 2020

No. NITB-4(188)/2012/1083.—In pursuance of repatriation Letter No.Staff/1585 dated 4th November, 2020 of Directorate General Pakistan Post, Syed Sammer Abbas,

Programmer (BS-17) has rejoined the post of Programmer (BS-17) in the National Information Technology Board (Ministry of Information Technology & Telecommunication) as on 4th November, 2020.

This issues with the approval of Executive Director.

MUHAMMAD ASLAM LASHARI,
Director.

NATIONAL INSTITUTE OF REHABILITATION MEDICINE

Islamabad, the 2nd November, 2020

No. F.2-185/2006-NIRM.—Mrs. Naseem Akhtar, Staff Nurse (BS-16) of this Institute is hereby granted 10 days leave with full pay from 11th November, 2020 to 20th November, 2020.

After expiry of leave she is expected to join her duties on the same post and station.

Islamabad, the 3rd November, 2020

No. F.3-57/2001-NIRM.—Dr. Muhammad Aslam Sheikh, Medical Officer (BS-17) of this Institute is hereby granted one week leave with full pay from 28th October, 2020 to 3rd November, 2020.

After expiry of leave he is expected to join his duties on the same post and station.

Islamabad, the 4th November, 2020

No. F.3-121/2018-NIRM.—Dr. Sartaj Ali, Medical Officer (BS-17) of this Institute is hereby granted 30 days leave with full pay from 26th October, 2020 to 24th November, 2020. He is advised to adhere biometrics & duty roster procedure in future.

After expiry of leave he is expected to join his duties on the same post and station.

DR. ADNAN RIAZ,
Deputy Director (A).

OFFICE OF THE INSPECTOR GENERAL, FRONTIER CORPS BALOCHISTAN

Turbat, the 12th November, 2020

No. 132-37/Prom/51/E-2-PROMOTION.—Following promotions were ordered in Frontier Corps Balochistan (South), Turbat with effect from the dates noted against each:-

TO BE SUBEDAR MAJOR ON PROBATION FOR ONE YEAR

1. Number 28991 Subedar (General Duty) Inam Ullah, Pathan of 125 Wing Dasht Scouts with effect from 13th July, 2020 *vice* No.13185

Subedar Major Muhammad Ajaib, proceeded on retiring pension with effect from 12th July, 2020.

1st Class) vice No.11690 Naib Subedar Bashir Ahmed, Baloch proceeded on retiring pension with effect from 31st December, 2019.

TO BE SUBEDAR ON PROBATION FOR ONE YEAR

2. Number 5365 Naib Subedar (General Duty) Noor Khajan, Pathan of 137 Wing Panjgur Rifles with effect from 2nd July, 2020 vice No.23313 Subedar Jamroz Khan, proceeded on retiring pension with effect from 1st July, 2020.
3. Number 31884 Naib Subedar (General Duty) Muhammad Ramzan, Baloch of 126 Wing Dalbandin Rifles with effect from 7th July, 2020 (on completion of two years rank service) vice No.26360 Subedar Qudrat Ullah, posted to 164 Wing Panjgur Rifles.
4. Number 6112 Naib Subedar (General Duty) Akhtar Munir, Pathan of 147 Wing Dasht Scouts with effect from 8th July, 2020 vice No.23467 Subedar Naimat Ali, proceeded on retiring pension with effect from 7th July, 2020.
5. Number 948 Naib Subedar (Electrician) Sharoo Khan, Baloch of Workshop Company Headquarters Frontier Corps with effect from 9th October, 2020 (on completion of two years rank services) vice No.255 Subedar Muhammad Roshan, proceeded on retiring pension with effect from 9th January, 2020.
6. Number 12291 Naib Subedar (Signal) Abdul Hakim, Baloch of 109 Wing Taftan Rifles with effect from 12th May, 2020 (on completion of two years rank service) on an existing vacancy.
7. Number 17952 Naib Subedar (General Duty) Wali Muhammad Khan, Pathan of 126 Wing Dalbandin Rifles with effect from 21st May, 2020 vice No.12209 Subedar (General Duty) Inam Ullah, proceeded on retiring pension with effect from 20th May, 2020.

11. Number 12479 Havildar (General Duty) Nabi Bakhsh, Baloch of 58 Wing Dalbandin Rifles with effect from 12th June, 2020 (on passing of Map Reading -1st Class) vice No.7421 Naib Subedar Kaleem Ullah, Baloch placed on Extra Regimental Employment duty with Frontier Corps Battle School with effect from 1st October, 2019.
12. Number 6267 Havildar (General Duty) Malik Jahangir, Punjabi of 113 Wing Dalbandin Rifles with effect from 7th July, 2020 vice No.5966 Naib Subedar (General Duty) Shoukat Ali, Punjabi promoted as Subedar from the same date.
13. Number 29927 Havildar (General Duty) Muhammad Islam, Punjabi of 113 Wing Dalbandin Rifles with effect from 24th August, 2020 vice No.5663 Naib Subedar (General Duty) Muhammad Ramzan proceeded on retiring pension with effect from 23rd August, 2020.
14. Number 14933 Havildar (Mechanical Transport) Liaqat Khan, Pathan of 58 Wing Dalbandin Rifles with effect from 30th March, 2020. vice No.13460 Subedar (Mechanical Transport) Salah ud Din, proceeded on retiring pension with effect from 29th March, 2020.
15. Number 33765 Havildar (General Duty) Gul Faraz, Baloch of 54 Wing Mekran Scouts with effect from 14th March, 2020 vice No.29674 Naib Subedar (General Duty) Jamal Khan promoted as Subedar from the same date.
16. Number 14584 Havildar (General Duty) Akhtar Munir, Pathan of 125 Wing Dasht Scouts with effect from 9th September, 2019 vice No.9089 Naib Subedar Janat Gul, Pathan promoted as Subedar from the same date.
17. Number 30116 Havildar (Mounted Infantry) Aman Ullah, Baloch of Headquarters Wing Kharan Rifles with effect from 1st July, 2020 on an existing vacancy.
18. Number 12304 Havildar (General Duty) Hidayat Khan, Pathan of 128 Wing Awaran Militia with effect from 10th December, 2019 (on completion of two years rank service) vice No.32583 Naib Subedar (General Duty) Waheed Khan, posted to new raising 167 Wing Taftan Rifles.
19. Number 29533 Havildar (General Duty) Mina Baz Khan, Pathan of 137 Wing Panjgur Rifles with effect from 15th May, 2020 vice No.14112 Naib Subedar Ayub Jan, proceeded on retiring pension with effect from 14th May, 2020.

TO BE NAIB SUBEDAR ON PROBATION FOR ONE YEAR

8. Number 12492 Havildar (General Duty) Khana ud Din, Pathan of 58 Wing Dalbandin Rifles with effect from 1st February, 2020 vice No.12079 Naib Subedar (General Duty) Fakhar ud Din, Pathan promoted as Subedar from the same date.
9. Number 5961 Havildar (General Duty) Muhammad Aslam Khan, Pathan of 58 Wing Dalbandin Rifles with effect from 4th June, 2020 vice No.12029 Naib Subedar (General Duty) Pir Masam Shah, proceeded on retiring pension with effect from 3rd June, 2020.
10. Number 29849 Havildar (General Duty) Atta Ullah, Baloch of 58 Wing Dalbandin Rifles with effect from 19th April, 2020 (on passing of Map Reading

20. Number 6273 Havildar (General Duty) Sana Ullah, Pathan of 140 Wing Awaran Militia with effect from 19th June, 2020 (on completion of two years rank service) *vice* No.13730 Naib Subedar Intizar Khan promoted as Subedar with effect from 1st November, 2019.
21. Number 1120 Havildar (Black Smith) Qasim Khan, Pathan of 59 Wing Panjgur Rifles with effect from 12th June, 2020 *vice* No.942 Naib Subedar (Carpenter) Ejaz Ahmed, Pathan promoted as Subedar from the same date.
22. Number 8099 Havildar (General Duty) Muhammad Faryad, Punjabi of 141 Wing Awaran Militia with effect from 21st May, 2020 *vice* No.7168 Naib Subedar (General Duty) Muhammad Nasar Ullah, proceeded on retiring pension with effect from 20th May, 2020.
23. Number 18329 Havildar (General Duty) Nazir Ahmed, Punjabi of 141 Wing Awaran Militia with effect from 2nd July, 2020 *vice* No.6853 Naib Subedar (General Duty) Riaz Hussain, PM proceeded on retiring pension with effect from 1st July, 2020.
24. Number 18689 Havildar (General Duty) Mumtaz Khan, Pathan of 111 Wing Kalat Scouts with effect from 9th May, 2020 (on passing of Junior Leadership Course) *vice* No.17191 Naib Subedar (General Duty) Nisraj Ali proceeded on retiring pension with effect from 2nd January, 2020.
25. Number 18074 Havildar (General Duty) Sami Ullah Khan, Pathan of 111 Wing Kalat Scouts with effect from 9th May, 2020 *vice* No.17323 Naib Subedar Marjan Ali, proceeded on retiring pension with effect from 3rd January, 2020.
26. Number 9589 Havildar (General Duty) Muzamil Khan, Pathan of 111 Wing Kalat Scouts with effect from 12th June, 2020 on passing of Map Reading-1st Class) on an existing vacancy.
27. Number 32981 Havildar (General Duty) Muhammad Hilal, Pathan of 111 Wing Kalat Scouts with effect from 12th June, 2020 on existing vacancy.
28. Number 6431 Havildar (Signal) Pervez Khan, Pathan of 141 Wing Awaran Militia with effect from 9th May, 2020 (on passing of Junior Leadership Course) on an existing vacancy.
29. Number 14615 Havildar (Signal) Zardad Khan, Pathan of Headquarters Wing Dalbandin Rifles with effect from 10th November, 2019 on existing vacancy.
30. Number 14665 Havildar (Signal) Muhammad Ismail Tariq, Baloch of 146 Wing Dalbandin Rifles with effect from 9th March, 2020 *vice* No.12942 Subedar (Signal) Aman Ullah of 146 Wing DR, posted to newly raised 168 Wing Mekran Scouts from the same date.

MUHAMMAD SHOAIB, *Lt. Col.*
For Inspector General.

OFFICE OF THE INSPECTOR GENERAL, FRONTIER
CORPS KHYBER PAKHTUNKHWA

Dera Ismail Khan, the 12th November, 2020

No. 31/1/Cfm/X/RW.—On completion of probationary period of six months, the undermentioned Junior Commissioned Officers are confirmed in their present rank from the date as noted against each:-

1. Number 202900 Subedar Major Musharaf Gul, Yousafzai of Tochi Scouts with effect from 29th July, 2019.
2. Number 103119 Subedar Major Rebar ud Din, Masozai of Thall Scouts with effect from 1st July, 2020.
3. Number 802280 Subedar Major Hayat Ullah, Mahsud of Bhattani Rifles with effect from 1st November, 2019.
4. Number 1200357 Subedar Shah Rasool, Ranizai of Kurram Militia with effect from 27th August, 2020.
5. Number 1103267 Subedar Ajoon Khan, Utman Khel (Signal Establishment) of Kurram Militia with effect from 20th July, 2020.
6. Number 104267 Subedar Ismail Mar Jan, Zadrans of Kurram Militia with effect from 22nd July, 2020.
7. Number 103879 Subedar Shah Jehan, Afridi of Kurram Militia with effect from 20th September, 2020.
8. Number 202832 Subedar Khurshid Rehman, Khattak of Tochi Scouts with effect from 2nd April, 2020.
9. Number 202932 Subedar Laiq Khan, Afridi of Tochi Scouts with effect from 27th March, 2020.
10. Number 203189 Subedar Aman Ullah, Khattak of Tochi Scouts with effect from 21st July, 2020.
11. Number 601800 Subedar Zahid Ullah Jan, Khattak of Thall Scouts with effect from 1st August, 2020.

12. Number 202989 Subedar Iftikhar Gul, Bangash of Thall Scouts with effect from 1st August, 2020.
13. Number 103708 Subedar Naz Ali Khan, Bhattani of Thall Scouts with effect from 1st July, 2020.
14. Number 302594 Subedar Nisar Khan, Bhattani of Thall Scouts with effect from 1st August, 2020.
15. Number 303403 Subedar Israr Khan, Bangash of South Waziristan Scouts with effect from 17th December, 2019.
16. Number 303463 Subedar Fazal Rahim, Bangash of South Waziristan Scouts with effect from 3rd January, 2020.
17. Number 302868 Subedar Dilawar Khan, Kundi of South Waziristan Scouts with effect from 11th October, 2020.
18. Number 302876 Subedar Saadat Ullah, Kundi of South Waziristan Scouts with effect from 17th October, 2020.
19. Number 303050 Subedar Zahid Ullah, Kundi of South Waziristan Scouts with effect from 17th October, 2020.
20. Number 801778 Subedar Mushtaq Hussain, Khattak of South Waziristan Scouts with effect from 4th September, 2019.
21. Number 202889 Subedar Mehboob Ali, Turi of 251 Wing North Waziristan Scouts with effect from 11th February, 2019.
22. Number 602561 Subedar Syed Noor Akbar, Turi (Mechanical Transport Establishment) of Gomal Scouts with effect from 12th October, 2019.
23. Number 104322 Naib Subedar Taj Muhammad, Ranizai of Kurram Militia with effect from 27th August, 2020.
24. Number 106050 Naib Subedar Munir Gul, Zadrans of Kurram Militia with effect from 17th July, 2020.
25. Number 305686 Naib Subedar Abdur Rahim, Marwat of Kurram Militia with effect from 13th September, 2019.
26. Number 104882 Naib Subedar Wakeel Khan, Ranizai of Kurram Militia with effect from 25th January, 2020.
27. Number 104269 Naib Subedar Furqan Ahmed, Khattak (Signal Establishment) of Kurram Militia with effect from 20th July, 2020.
28. Number 104153 Naib Subedar Nawab Ali, Turi of Kurram Militia with effect from 28th October, 2018.
29. Number 203945 Naib Subedar Sajid Hussain, Turi of Tochi Scouts with effect from 29th April, 2020.
30. Number 203408 Naib Subedar Alam Khan, Afridi (Field Battery) of Tochi Scouts with effect from 3rd June, 2020.
31. Number 602231 Naib Subedar Sabz Ali, Bhattani of Tochi Scouts with effect from 15th May, 2020.
32. Number 203729 Naib Subedar Wazir Badshah, Khattak of Tochi Scouts with effect from 1st November, 2019.
33. Number 204228 Naib Subedar Khizar Ali, Bangash of Tochi Scouts with effect from 12th September, 2019.
34. Number 303929 Naib Subedar Noor Zat Khan, Afridi of South Waziristan Scouts with effect from 1st May, 2020.
35. Number 303948 Naib Subedar Siraj Gul, Afridi of South Waziristan Scouts with effect from 21st September, 2019.
36. Number 303996 Naib Subedar Nooran Gul, Afridi of South Waziristan Scouts with effect from 7th January, 2020.
37. Number 303999 Naib Subedar Ikram Dad, Yousafzai of South Waziristan Scouts with effect from 21st September, 2019.
38. Number 602197 Naib Subedar Said Muhammad, Yousafzai (Mortar Establishment) of 251 Wing North Waziristan Scouts with effect from 25th September, 2019.
39. Number 602481 Naib Subedar Nazir Jan, Khattak of South Waziristan Scouts with effect from 15th September, 2019.
40. Number 303985 Naib Subedar Rehmat Ullah, Khattak of South Waziristan Scouts with effect from 21st September, 2019.
41. Number 303341 Naib Subedar Laisan Ali, Orakzai of South Waziristan Scouts with effect from 15th November, 2018.
42. Number 303363 Naib Subedar Mir Asghar, Turi of South Waziristan Scouts with effect from 12th September, 2019.
43. Number 203587 Naib Subedar Muhammad Yasin, Khattak of South Waziristan Scouts with effect from 1st September, 2019.

44. Number 203691 Naib Subedar Lal Saeed, Khattak of South Waziristan Scouts with effect from 1st November, 2019.
45. Number 303516 Naib Subedar Muhammad Hussain, Turi of South Waziristan Scouts with effect from 22nd April, 2020.
46. Number 205195 Naib Subedar Farooq Zaman, Marwat of Thall Scouts with effect from 1st August, 2020.
47. Number 604716 Naib Subedar Banat Gul, Yousafzai of Thall Scouts with effect from 1st August, 2020.
48. Number 602511 Naib Subedar Kamal Gul, Yousafzai of Thall Scouts with effect from 1st August, 2020.

Amendment

49. Please amend to read date of confirmation in respect of No.204946 Naib Subedar Mir Zabit Khan, Wazir of Bhattani Rifles with effect from 25th September, 2019 instead of 25th September, 2020 at serial 26 of our Gazette Notification No.31/1/CFM/X/Prom dated 30th July, 2020.
50. Please amend to read Mechanical Transport Establishment instead of Electrical Mechanical Engineering Establishment in respect of No.81111 Naib Subedar Sharafat Ali Khan, Khattak of Thall Scouts at serial 12 of our Gazette Notification No.31/1/CFM/X/Prom dated 30th July, 2020.

SOHAIL SABIR, *Lt. Col.*
For Inspector General.

OFFICE OF THE INSPECTOR GENERAL OF POLICE

[NATIONAL HIGHWAYS & MOTORWAY POLICE]

Islamabad, the 22nd September, 2020

No. NH&MP-1(21)/Addl.IG(NR)/2020/338.—In exercise of powers conferred on Additional Inspector Generals, NH&MP *vide* Letter No.NH&MP-28(11)/2020/Delegation/HRM/1135, dated 15th June, 2020 as recommended by the Zonal Commander, the following DSsP/CPOs are hereby transferred/ posted to the places as mentioned against their names, with immediate effect and until further orders:-

S. No.	Name of Officers	From	To
1.	DSP/CPO Anees ud Din, BS-17	Beat-01, M-I	CPO LHQ, M-I

S. No.	Name of Officers	From	To
2.	DSP/CPO Asad Ullah Khan, BS-17	CPO LHQ, M-I	Beat-01, M-I

2. The above mentioned officers are hereby directed to report at their new place of posting, immediately.

ABBAS HUSSAIN MALICK, *PSP*
Additional Inspector General.

Quetta, the 22nd September, 2020

No. NH&MP/DIG/(West)/HRM-I/2020/274.—DSP/CPO Asad Abbas of Beat-III Uthal, Sector-I N-25 Uthal, is hereby granted 08-days monthly rest alongwith 04-days casual leave with effect from 23rd September, 2020 to 4th October, 2020.

During the leave period, IP/SPO Muhammad Hamid Hassan Admin Officer of Beat-III, Uthal Sector-I N-25 Uthal will look after the operational affairs of Beat-III Uthal, in addition to his own assignment in existing pay/ scale.

No. NH&MP/DIG/(West)/HRM-I/2020/276.—Mr. Noor Min Allah DSP-CPO (BS-17) of Beat-13 Mastung, Sector-III, N-25, RCD Kalat is hereby granted 08-days monthly rest along with 04-days casual leave with effect from 24th September, 2020 to 5th October, 2020.

During the leave period, Admin Officer IP/SPO Shakirullah of Beat-13 Mastung Sector-III, N-25, RCD Kalat will look after the routine official work of CPO in addition to his own assignment in existing pay/ scale.

ALI SHER JAKHRANI, *PPM, PSP*
Deputy Inspector General.

Islamabad, the 23rd September, 2020

No. NH&MP-88(1)/2012/671.—Mr. Tanveer Ahmed, Deputy Director (BS-18), presently performing duties as Deputy Director (Welfare), is hereby assigned the additional charge for the post of Deputy Director (Audit) NH&MP, Islamabad with effect from 18th June, 2020 to 17th September, 2020, in addition to his own duties.

This issues with the approval of Inspector General, NH&MP.

No. NH&MP-40(10)/19/HRM/T/PLHQ/APO/1825.—Following Officers of National Highways & Motorway Police (NH&MP) are hereby transferred and posted to the places as mentioned against their names, with immediate effect and until further orders:-

S. No.	Name of Officers	From	To
1.	IP/SPO Ghulam Zia-ud-Din, S-697	N-5 (North) Zone	PLHQ Zone (for further posting in Operations Wing)
2.	IP/SPO Muhammad Afzal, S-1547	PLHQ Zone	North Region
3.	IP/SPO Ashfaq Ahmed, S-1160	PLHQ Zone	North Region
4.	SI/PO Shireen Wahid, P-810	PLHQ Zone	North Region

2. The above named officers shall be relieved immediately alongwith Last Pay Certificate with the direction to report at their new places of posting within actual permissible travelling time. Upon relieving, their duly completed and updated Service Record be sent to the receiving Region/ Zone within 07 days, under intimation to all concerned.

3. This issues with the approval of Inspector General of Police, NH&MP.

FAZL-I-HAMID, *PSP*
Assistant Inspector General.

Lahore, the 23rd September, 2020

No. NH&MP/Addl-IGP(CR)/PA/20/865.—The undersigned has been directed to convey that the Addl. IGP/Regional Commander, Central Region has approved 02-days 'Casual /Station Leave' for 24th & 25th September, 2020, in favour of Mian Afnan Amin, PSP/SP, Sector Commander, N-5 Central-III, RYK in connection to look after his mother at Islamabad.

2. Further, Mr. Farasat Ali, DSP/CPO Beat-24, Sector C-III will look after the affairs of Sector C-III during the leave of aforesaid officer.

3. This issues with the approval of the Additional Inspector General (Central Region) NH&MP, in exercise of powers conferred *vide* Letter No.NH&MP-212(2)/PSP/2017/1015, dated 24th April, 2018.

ATIF ALI CHAUDHARY, *DSP/ CPO*
S.O to Addl. IGP (Central Region).

PAKISTAN BUREAU OF STATISTICS

Islamabad, the 11th November, 2020

No. PBS.IBD.P-12(46)/2019-241.—In continuation of this Bureau's notification of even number dated 11th September, 2020 and with the approval of Member (RM), Ms. Mehreen Syed, Data Processing Assistant (BS-16) (Personnel No.50537299), PBS, Islamabad is granted 14 days extension in leave on full pay (LFP) with effect from 14th October, 2020 to 27th October, 2020, with permission to leave the station, subject to leave admissibility certificate from AGPR, Islamabad.

She is expected to assume the charge on the same post and station after expiry of the leave.

SADIA CHAUDHRY,
Assistant Director (Admn).

Islamabad, the 11th November, 2020

No. PBS.HQ.FA.P(747)/16-1179.—With the approval of Member (RM) the suspension of Mr. Muhammad Sohail Shaikh, Data Processing Officer (BS-16), Pakistan Bureau of Statistics, Karachi notified *vide* notification of even number dated 30th May, 2016, is hereby terminated with immediate effect and until further orders.

SAFIA BEGUM,
Statistical Officer (Admn-III).

Karachi, the 18th September, 2020

No. 01(36)/90-PBS-PCO(Admn)/2828.—Mr. Hizbullah Memon, Assistant Census Commissioner (BPS-17) of this office was granted 23 days leave on full pay with effect from 17th August, 2020 to 8th September, 2020.

On expiry of above leave Mr. Hizbullah Memon, Assistant Census Commissioner (BPS-17) has assumed the charge of the same post and at the same station on 9th September, 2020.

This issues with the approval of DDG-I, Provincial Office, Karachi.

Karachi, the 28th September, 2020

No. 01(03)/95-PBS-PCO(Admn)/2839.—Mr. Irfan Ahmed, Assistant Census Commissioner (BPS-17) of this office is hereby granted 47 days leave on full pay with effect from 12th October, 2020 to 27th November, 2020 with permission to leave the station.

On expiry of above leave Mr. Irfan Ahmed, Assistant Census Commissioner (BPS-17) will assume the charge of the same post and at the same station on 30th November, 2020 after suffix weekly holidays 28th November, 2020 to 29th November, 2020.

This issues with the approval of DDG-I, PBS, Provincial Office, Karachi.

MUHAMMAD IMRAN,
Assistant Census Commissioner (Admn).

PAKISTAN INSTITUTE OF MEDICAL SCIENCES

Islamabad, the 2nd November, 2020

No. F.1-14/2019-MO(Admin)IH.—In pursuance of M/o. NHS, R&C Circular No.F.3-160/2018-Estab-III dated 2nd October, 2020 and consequent completion of deputation period of following officers, presently posted on deputation basis in Pakistan Institute of Medical Sciences (PIMS), Islamabad are hereby repatriated to their parent departments with immediate effect:-

S. No.	Name of Officers Designation & BPS	Date of posting on deputation in PIMS	Date of completion of Deputation period
1.	Dr. Shehla Mandokhail, Medical Officer (BS-17)	15.12.2015	14.12.2016
2.	Dr. Asma Khattak, Medical Officer (BS-17)	08.09.2015	07.09.2018
3.	Dr. Chanda Kumari, Medical Officer (BS-17)	11.12.2015	10.12.2018
4.	Dr. Rafi Raza Ahmed, Medical Officer (BS-17)	13.09.2017	12.09.2018

S. No.	Name of Officers Designation & BPS	Date of posting on deputation in PIMS	Date of completion of Deputation period
5.	Dr. Murka Muzafar, Medical Officer (BS-17)	05.11.2018	04.11.2019
6.	Dr. Ayesha Latif, Medical Officer (BS-17)	10.12.2018	09.06.2019
7.	Dr. Irshad Hussain, Medical Officer (BS-17)	11.11.2016	10.11.2019
8.	Dr. Rafia Akbar, Medical Officer (BS-17)	21.09.2016	20.09.2020
9.	Dr. Shagufta Nasir, Medical Officer (BS-19)	02.05.2019	01.05.2020

2. The above mentioned officers stand relieved from PIMS with immediate effect.

3. This issues with the approval of Executive Director.

Islamabad, the 4th November, 2020

No. PF.82-D/MO(Admin)IH.—In supersession of this Institute Notification No.PF.82-D/MO(Admin)IH dated 19th October, 2020 and in pursuance of Ministry of NHS, R&C Notification No.F.3-68/2015-Estab-III dated 21st September, 2020, Dr. Rubina Sattar, Chief Medical Officer (BPS-19) has been repatriated to her parent department

i.e. Health Department, Govt. of Balochistan. She is hereby relieved off from PIMS with effect from 26th October, 2020. She is hereby directed to submit charge relinquishment report and No Demand Certificate. She will pay dues, if any on submission of No Demand Certificate.

Islamabad, the 6th November, 2020

No. F.1-14/2019-MO(Admin)JH.—Dr. Maria Baloch, Medical Officer (BPS-17) has been granted 20 days leave with full pay with effect from 9th November, 2020 to 30th November, 2020.

This issues with the approval of Executive Director.

DR. M. IQBAL KHAN DURRANI,
Deputy Executive Director.

[MOTHER & CHILD HEALTH CENTRE]

Islamabad, the 3rd November, 2020

No. F.3-10(KM)MCH/Admin.—Dr. Kousar Masoom Senior Registrar Gyane/ Obst of MCH, Centre is hereby granted 14th days leave with full pay with effect from 19th October, 2020 to 1st November, 2020. She will resume her duty on 2nd November, 2020 on same place. Her personal Number is 50139969.

Islamabad, the 4th November, 2020

No. F.3-7(SY)MCH/Admin.—Dr. Shagufta Yasmin, Associate Professor Gynae/ Obst of MCH, Centre is hereby granted 14 days leave with full pay with effect from 12th October, 2020 to 25th October, 2020 on medical grounds. She will resume her duty on 24th October, 2020 on same place. Her personal Number is 5000592.

PROF. DR. M. AMJAD CHAUDHARY,
Joint Executive Director.

Islamabad, the 4th November, 2020

No. F.7-79(NP)MCH/Admin.—Ms. Nazia Parveen, Charge Nurse of MCH, Centre is hereby granted 03 days leave with full pay with effect from 20th October, 2020 to 22nd October, 2020 on medical grounds. Her personal Number is 50064296.

No. F.7-36(RJ)MCH/Admin.—Ms. Raziqa Jan, Charge Nurse of MCH, Centre is hereby granted 15 days leave with full pay with effect from 28th October, 2020 to 11th November, 2020. Her personal Number is 50031550.

DR. NASREEN BUTT,
Deputy Director MCH.

PAKISTAN METEOROLOGICAL DEPARTMENT

Islamabad, the 13th November, 2020

No. E-16(589)/836.—Mr. Naseem-uz-Zafar, Meteorologist (BS-17) RMC, Quetta relinquished charge of his post on 12th October, 2020 on account of his transfer to Met. HQ's Camp Office, Karachi where he assumed charge of his post on 14th October, 2020.

MUHAMMAD SHOAIB,
Administrative Officer (Estb.).

PAKISTAN POST

[OFFICE OF THE DIRECTOR GENERAL PAKISTAN POST]

Islamabad, the 17th November, 2020

No. Disp.4-1/2020.—The competent authority has been pleased to order reinstatement on duty of Mr. Ammar Nazir Qureshi, Assistant Postmaster General (Ops) (BPS-18) Northern Sindh Circle, Hyderabad, from suspension with immediate effect.

MUHAMMAD AKHLAQUE RANA,
Director General.

PAKISTAN PUBLIC WORKS DEPARTMENT

Islamabad, the 24th November, 2020.

No. AI-717/700(1353).—Pursuant to Ministry of Housing & Works Notification No.F.11(6)/94-Admn.III, dated 15th May, 2020 & Order dated 29th October, 2020 and this office order of even number dated 29th June, 2020, Mr. Khurshid Ahmad Mirza, on his reinstatement in service and posting assumed charge to the post of Assistant Executive Engineer, Structure Section, D.G's Office, Pak. PWD, Islamabad on 8th July, 2020.

The period from 16th May, 2020 to 7th July, 2020 may be treated as waiting for posting as admissible under FR-9 (6) (b) (iv).

M. B. KHATTAK,
Chief Administrative Officer.

The Gazette of Pakistan

PUBLISHED BY AUTHORITY

KARACHI, WEDNESDAY, FEBRUARY 3, 2021

PART IV

Notifications issued by the minor administrations and miscellaneous notifications not included in any other part

ISLAMABAD CAPITAL TERRITORY, CO-OPERATIVES DEPARTMENT

Islamabad, the 15th January, 2021

No. 344/CR/ICT/B.—Consequent upon the elections of Managing Committee of FIA Employees Cooperative Housing Society, Islamabad held on 9th January, 2021, the following members of the Society have been elected as office bearers of the Society for the period of three years in accordance with the Islamabad Capital Territory Cooperative Societies (Managing Committee Election) Rules 2019, with immediate effect :

S. No.	Name of the Candidate / MS. No.	Post
1.	Farhan Alamgir / MS : 12953	President
2.	Syed Shahid Hassan / MS : 1979	Senior Vice President
3.	Yasir Arafat / MS : 1669	Vice President
4.	Malik Tariq Mehmood / MS : 396	General Secretary
5.	Nasrullah Khan Gondal / MS : 138	Joint Secretary
6.	Imtiaz Ahmed / MS : 02	Treasurer
7.	Raja Aurang Zeb Satti / MS : 583	Executive Member
8.	Muhammad Rizwan / MS : 718	Executive Member
9.	Syed Fazal Akbar / MS : 169	Executive Member
10.	Adeel Abbas Malik / MS : 10106/ 238	Executive Member
11.	Abdul Rauf Sheikh / MS : 1831	Executive Member

2. The newly elected Managing Committee is directed to take following actions immediately :-

- The Managing Committee will take over the charge of the Society immediately and act in accordance with the Cooperative Societies Act, 1925 and Islamabad Cooperative Societies Rules, 2018, as well as Byelaws of the Society and directions issued under Section 44-D & 44-E, dated 15th March, 2017.
- The Managing Committee of the Society should clear all issues pertaining to LOP / NOC from concerned Development Authority.
- The Managing Committee is directed to pursue all the cases pending in different Courts on behalf of Society.
- As per clause (2) of Gazette notification dated 3rd March, 2017 each member of a Managing Committee of Cooperative Society shall declare the details of assets in his name or in the name of his dependants as per enclosed performa within 30 days.
- The Managing Committee will submit its monthly progress report to the Registrar, Cooperative Societies, Islamabad.

3. This issues with approval of the Deputy Commissioner / Registrar Cooperative Societies, ICT, Islamabad.

No. 346/CR/ICT/B.—Consequent upon completion of tenure of the Managing Committee of National Assembly Employees Cooperative Housing Society, Islamabad on 23rd January, 2021, the Managing Committee of the Society is hereby dissolved under Byelaws of the Society and Mr. Asghar Khan Niazi, XEN Local Government & Rural Development Department, ICT Islamabad is hereby appointed as Administrator of the Society for the period of 60 days or until holding of fresh elections of Society.

2. The Administrator is assigned the following tasks :-

- i) The Administrator shall make necessary arrangements in coordination with Cooperative Societies Department and Election Commission to hold elections of the Managing Committee of the Society within stipulated period.
- ii) The Administrator shall not make any allotment of plots, whether fresh or pending, initiate any development work or make any payments pertaining to any development work and sale or purchase of land or any other payment except salary of staff and utility bills.
- iii) No fresh appointment of any employee shall be made except with the approval of the Registrar.
- iv) The Administrator shall facilitate and discharge his duties and obligations as laid down in Byelaws of the Society.

- v) The Administrator shall take over proper charge of the Society.
- vi) The Administrator shall not be entitled for any remuneration of his services.
- vii) The Administrator shall submit monthly report to the Registrar Cooperative Societies, Islamabad regarding affairs of the Society.

3. The Administrator may withdraw remuneration @ Rs. 10,000/- per month as per policy.

4. This issues with the approval of the Deputy Commissioner / Registrar Cooperative Societies, ICT, Islamabad.

KAMRAN ALI CHEEMA,
Deputy Registrar,
Cooperative Societies Department.

The Gazette of Pakistan



PUBLISHED BY AUTHORITY

KARACHI, WEDNESDAY, FEBRUARY 3, 2021

PART V

Notifications, etc., issued by The Patent Office

NEW APPLICATIONS FOR THE PATENTS

351/2020

Eli Lilly and Company, U.S.A. (Priority 17th January, 2019, US).—“DISUBSTITUTED PYRAZOLE COMPOUNDS”.

The dates shown in the crescent brackets are the dates claimed under section 86 of the Patents Ordinance 2000.

1st June, 2020

344/2020 Novartis AG, Switzerland (Priority 12th June, 2019, US).—“NATRIURETIC PEPTIDE RECEPTOR 1 ANTIBODIES AND METHODS OF USE”

352/2020

Javeria Manzoor Shaikh, Pakistan.—“Fly Ash blocks and Pumica Blocks”.

345/2020 ELI LILLY AND COMPANY, U.S.A. (Priority 16th November, 2017, EP).—“A PHARMACEUTICALLY ACCEPTABLE SALT OF COMPOUND USEFUL FOR INHIBITING CDK7”.

353/2020

SICPA HOLDING SA, Switzerland. (Priority 30th July, 2019, EP).—“RADIATION CURABLE INTAGLIO INKS”.

346/2020 National University of Sciences and Technology, Pakistan.—“Development of Real-Time PCR (SYBR Green) based diagnostic assays for SARS-CoV2”.

354/2020

Eli Lilly and Company, U.S.A. (Priority 18th June, 2019, US).—“PROCESSES AND INTERMEDIATES FOR THE PREPARATION OF 2-(2,6-DICHLOROPHENYL)-1-[(1S,3R)-3-(HYDROXYMETHYL)-5-(3-HYDROXY-3-METHYLBUTYL)-1-METHYL-3,4-DIHYDROISOQUINOLIN-2(1H)-YL]ETHENONE”.

347/2020 National University of Medical Sciences, Pakistan.—“Child Safety belt-Front Bike Riders”

355/2020

MORINAGA MILK INDUSTRY CO., LTD., Japan. (Priority 5th June, 2019, JP).—“NUTRITION COMPOSITION”.

3rd June, 2020

348/2020 Muhammad Tariq Qureshi S/o Eid Muhammad Qureshi, Pakistan.—“Breast Body Spray (BBS) Extraction And Extractor”.

356/2020

LAKSHMI MACHINE WORKS LTD., India. (Priority 6th June, 2019, IN).—“LAPPET TILTING APPARATUS FOR AUTOMATIC YARN PIECING ASSEMBLY”.

349/2020 Janssen Pharmaceutica NV., Belgium (Priority 14th June, 2019, US).—“Substituted Heteroaromatic Pyrazolo-Pyridines And Their Use As GluN2B Receptor Modulators” .

357/2020

Huntsman Advanced Materials (Switzerland) GmbH, Switzerland (Priority 29th July, 2019, EP).—“Fibre reactive dyes, their preparation and their use”.

350/2020 Janssen Pharmaceutica NV, Belgium (Priority 14th June, 2019, US).—“Substituted Pyrazolo-Pyridine Amides And Their Use As GluN2B Receptor Modulators”.

358/2020

SHAKEEL ARSHAD, Pakistan.—“ELECTRONIC DATA TRANSMISSION AND STORAGE SYSTEM”.

APPLICATION ACCEPTED

Notice is hereby given that the person interested in opposing the grant of Patents to any of the applications referred to below at any time within four months from the date of this Patents' journal may give notice at the Patent Office on the prescribed Form P-7 of the Patents Rules 18(1) of 2003.

The six figures number shown in the right hand side are those given to applications on acceptance of the complete specification under which the specification will be printed and subsequent proceeding taken.

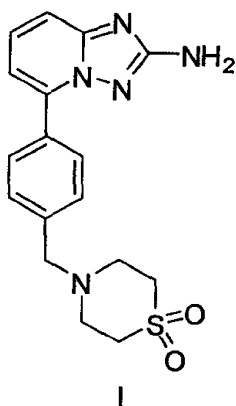
The figures shown within square brackets after the title of inventions indicate their classification index at acceptance.

Typed copies of the specification which are to open to public inspection can be supplied by the Patent Office on payment of the prescribed charges which may be ascertained on application to the office.

376/2013 Galapagos NV., Belgium.—“5-[4-(1,1-Dioxothiomorpholin-4-ylmethyl)-phenyl]-[1,2,4] triazolo[1,5-a]pyridin-2-ylamine and pharmaceutical composition comprising thereof”.

A61K45/06,A61K31/451,A61P19/02,A61P1/00,A61P17/06 & A61P29/00.

143504



The present invention relates to the novel medical use of the compound according to Formula I, in particular in the treatment of inflammatory conditions, autoimmune diseases, proliferative diseases, allergy, transplant rejection, diseases involving impairment of cartilage turnover, congenital cartilage malformations, and/or diseases associated with hypersecretion of IL6 or interferons. In particular, the compound inhibits JAK a family

of tyrosine kinases, and more particularly JAK 1. The present invention also provides pharmaceutical compositions comprising the compound, methods for the prophylaxis and/or treatment of diseases involving inflammatory conditions, autoimmune diseases, proliferative diseases; allergy, transplant rejection, diseases involving impairment of cartilage turnover, congenital cartilage malformations, and/or diseases associated with hypersecretion of IL6 or interferons by administering the compound.

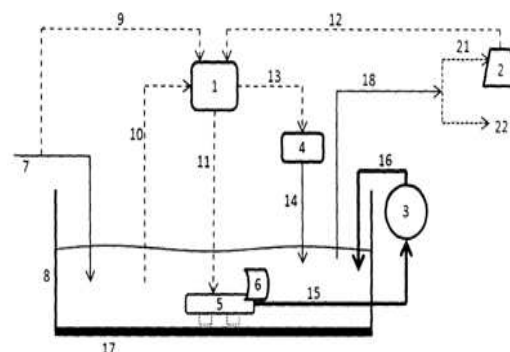
199/2012

CRYSTAL LAGOONS (CURACAO) B.V., Curacao.—“METHOD AND SYSTEM FOR TREATING WATER USED FOR INDUSTRIAL PURPOSES”.

C02F1/00.

143503

A low cost method and system for treating water, which will be used in an industrial process, is provided. A system of the invention generally includes at least one containing means, at least one coordination means, at least one chemical application means, at least one mobile suction means, and at least one filtration means. The coordination means can control the necessary processes depending on the system needs (e.g., water quality or purity). The method and system of the invention purifies the water and eliminates suspended solids without the need of filtering the totality of the water volume, but only filtering a small fraction of up to 200 times less than the flow filtered by a conventional water treatment filtration system.



SEALING FEES DUE

Notice is hereby given that the Patent may now be sealed on the application referred to below if it is desired that Patent should be sealed a request on the prescribed Form-10 accompanied by the fee of Rs.4500/- should be sent to the Controller of Patents and Designs, The Patent Office, Karachi.

Accepted No.	Applicant Name	Application No.
143447	NOVARTIS AG., Switzerland.	55/2010
143448	F. HOFFMANN-LA ROCHE AG., Switzerland.	665/2012
143449	SICPA HOLDING SA., Switzerland.	710/2014
143450	Dr. Roheena Abdullah; Dr. Tehreema Iftikhar; Sidra; Dr. Mubashir Niaz; Dr. Farah Khan; Dr. Shazia Anwer Bukhari and Dr. Mehwish Iqtedar, Pakistan.	208/2015
143451	BAYER PHARMA AKTIENGESELLSCHAFT., Germany.	745/2015
143452	Anglo American Services (UK) Ltd., United Kingdom.	349/2018
143453	Prof. Dr. Rafia Azmat; Ms. Asma and Dr. Summyia Masood, Pakistan.	156/2019

DR. MUHAMMAD FAYYAZ AHMAD,
Controller of Patents & Registrar of Designs.