

The Gazette of Pakistan

PUBLISHED BY AUTHORITY

No. 44]

KARACHI, WEDNESDAY, OCTOBER 28, 2020

C O N T E N T S

	PAGES		PAGES
PART I— Notifications regarding appointments, promotions, etc., issued by Ministries/ Divisions of the Government of Pakistan, Department of the Auditor-General of Pakistan and the Supreme Court of Pakistan other than the Ministry of Defence and Ministry of Defence Production	605—624	PART IV— Notifications issued by the minor administrations and miscellaneous notification not included in any other part	-Nil-
PART II— Notifications issued by the Ministry of Defence and Ministry of Defence Production	189—193	PART V— Notifications etc., issued by The Patent Office.	-Nil-
PART III— Notifications issued by the High Courts, the Federal Public Service Commission and by the Attached and Subordinate Offices of the Government of Pakistan	421—438	PART VI— Advertisements and Notices issued by Corporate Bodies and Private Individuals on payment	-Nil-
		SUPPLEMENT NO.	
		Weekly, notification of cases and deaths from quarantiable diseases	

PART I

Notifications regarding appointments, promotions, etc. issued by Ministries/Divisions of the Government of Pakistan, Department of the Auditor-General of Pakistan and the Supreme Court of Pakistan other than the Ministry of Defence and Ministry of Defence Production

PRIME MINISTER'S OFFICE (INTERNAL)

Islamabad, the 27th September, 2020

No. 5 (13)-Adm/2006.—Consequent upon his posting as Commanding Officer, 7 Punjab *vide* General Headquarters, MS Branch, Rawalpindi Letter No.0354/40425/ MS-2A/03 dated 28th February, 2020, PA-40425 Major Asad Rashid Khan, ADC to the Prime Minister is relieved of his duties in this Office with effect from 27th September, 2020. Accordingly, the Officer has relinquished charge of his Office with effect from same date.

The Officer has been allowed 20 days joining time from 27th September, 2020 to 16th October, 2020 and he shall stand SOS with effect from 17th October, 2020.

No.5(14)-Adm/2017.—Consequent upon his posting as Commandant, Awaran Militia, FC Balochistan (South) *vide* General Headquarters, MS Branch, Rawalpindi Letter No.0354 / 34706 / MS-4B/ 22 dated 20th June, 2020,

PA-36504 Lt. Col. Moeen Iqbal Khan, Deputy Military Secretary to the Prime Minister is relieved of his duties in this Office with effect from 27th September, 2020. Accordingly, the Officer has relinquished charge of his Office with effect from same date.

The Officer has been allowed 14 days joining time from 27th September, 2020 to 10th October, 2020 and he shall stand SOS with effect from 11th October, 2020.

ALI NAQQASH ANWAR, *Major*,
General Staff Officer — 2.

NATIONAL ACCOUNTABILITY BUREAU

Islamabad, the 24th September, 2020

No. 1(2)/2020-CP(1).—On the recommendations of Departmental Promotion Committee-1, in its meeting held on September, 15, 2020, duly approved by the Competent Authority, following Assistants (BPS-15)

(000)

(already granted BPS-16 as one time dispensation), are promoted to the posts of Superintendents (BPS-16) with immediate effect:-

S. No.	Name	Present Place of Posting
1.	Mr. Muhammad Aqeel Siddiqui	NAB (Karachi)
2.	Mr. Muhammad Jamil	NAB (Balochistan), Quetta

2. They shall remain on probation for a period of one year under Section 4.01 of National Accountability Bureau (NAB) Employees Terms and Conditions of Services (TCS), 2002.

No. 1(2)/2020-CP(2).—On the recommendations of Departmental Promotion Committee-1, in its meeting held on September 15, 2020 duly approved by the Competent Authority, Mr. Muhammad Rehman, Assistant (BPS-15) (already granted BPS-16 as one time dispensation), NAB (Khyber Pakhtunkhwa), Peshawar, is promoted to the post of Superintendent (BPS-16) with immediate effect. On promotion, he is transferred / posted at NAB (Multan) where he shall actualize his promotion.

He shall remain on probation for a period of one year under Section 4.01 of National Accountability Bureau (NAB) Employees Terms and Conditions of Services (TCS), 2002.

No. 1(2)/2020-CP(3).—On the recommendations of Departmental Promotion Committee-1, in its meeting held on September, 15, 2020, duly approved by the Competent Authority, following Cashiers (BPS-14) are promoted to the posts of Accountants (BPS-16) with immediate effect:-

S. No.	Name	Present Place of Posting
1.	Mr. Abdul Karim Soomro	NAB (Karachi)
2.	Mr. Muhammad Sharif	NAB (Rawalpindi)

2. They shall remain on probation for a period of one year under Section 4.01 of National Accountability Bureau (NAB) Employees Terms and Conditions of Services (TCS), 2002.

No. 1(2)/2020-CP(4).—On the recommendations of Departmental Promotion Committee-1, in its meeting held on September, 15, 2020, duly approved by the Competent

Authority, following Cashiers (BPS-14) are promoted to the posts of Accountants (BPS-16) with immediate effect. On promotion, they are transferred / posted as mentioned against each where they shall actualize their promotions:-

S. No.	Name	Transferred	
		From	To
1.	Mr. Waqas Rasheed	NAB (Lahore)	NAB (Multan)
2.	Mr. Asad Hussain	NAB (Balochistan), Quetta	NAB (Sukkur)

2. They shall remain on probation for a period of one year under Section 4.01 of National Accountability Bureau (NAB) Employees Terms and Conditions of Services (TCS), 2002.

IMRAN SOHAIL,
Additional Director (PM).

Islamabad, the 24th September, 2020

No. 3(1818)/R/2017/PM-II.—In continuation of this Bureau's notification of even number dated 14th September, 2017, the Competent Authority is pleased to approve extension in deputation period of Ms. Samina Shakeel, Assistant Traffic Manager (BS-16), NATCO, presently working as Deputy Assistant Director (BS-16) in NAB (R), for a further period of two (2) years with effect from 22nd August, 2020, in the public interest on Standard Terms & Conditions.

LUBNA BASHIR,
Assistant Director (PM-II).

Islamabad, the 24th September, 2020

No. 3(230)/F/2004/Admn-I.—The Chairman NAB has been pleased to grant 5 days earned leave with full pay (LFP) in respect of Mr. Farman Ullah, Director General, own pay & scale (OPS), NAB (Balochistan), Quetta with effect from 28th September, 2020 to 2nd October, 2020 (with permission to leave station on prefix / suffix weekend).

On the expiry of leave, the officer shall resume his duties of the same post and station.

HAMZA NIHAL TARIQ,
Assistant Director (PM-III).

CABINET SECRETARIAT

(Cabinet Division)

Islamabad, the 22nd September, 2020

No. PF(775)-Admn-II.—With the approval of competent authority *i.e.* Additional Secretary-III, Ms. Fazelat Naeem, Section Officer (Implementation) (BS-18), Cabinet Division, is assigned to hold additional charge of the post of Section Officer (Hiring), Cabinet Division, with effect from 21st September, 2020, in addition to her own duties for a period of three (3) months or till posting of a regular Officer, whichever is earlier.

No. PF.(1106)-Admn-II.—With the approval of Competent Authority *i.e.* Additional Secretary-III, Mr. Jamil Ahmed, Superintendent (BS-17), Cabinet Division, is assigned to hold current charge of the post of Section Officer (Cabinet), Cabinet Division with effect from 9th July, 2020 for a period of three (3) months or till posting of an officer on regular basis, whichever is earlier.

No. PF.(1106)-Admn-II.—With the approval of competent authority *i.e.* Additional Secretary-III, Mr. Jamil Ahmed, Superintendent (BS-17), Cabinet Division, is assigned to hold current charge of the post of Section Officer (Cabinet), Cabinet Division with effect from 9th September, 2020 for a period of three (3) months or till posting of an officer on regular basis, whichever is earlier.

No. PF.(1106)-Admn-II.—With the approval of competent authority *i.e.* Additional Secretary-III, Mr. Muhammad Athar ud Din, Superintendent (BS-16), Cabinet Division, is assigned to hold current charge of the post of Section Officer (Pension Cell), Cabinet Division with effect from 10th July, 2020 for a period of three (3) months or till the posting of an officer on regular basis, whichever is earlier.

No. PF.(1106)-Admn-II.—With the approval of competent authority *i.e.* Additional Secretary-III, Mr. Safdar Ali Shah, Assistant Marketing Officer (BS-16), Cabinet Division, is assigned to hold current charge of the post of Section Officer (Lit-I), Cabinet Division with effect from 15th September, 2020 for a period of three (3) months or till posting of an officer on regular basis, whichever is earlier.

SARDAR MEHMOOD,
Section Officer (Admn-II).

Islamabad, the 22nd September, 2020

No. F.4-23/97-Org-II.—With the approval of the competent authority *i.e.* Cabinet Secretary, Mr. Zahir Gul, Deputy Director (BS-18), National Archives of Pakistan, is

assigned current charge for the post of Director (BS-19), NAP with effect from 22nd September, 2020 in addition to his own duties for a period of three months or till posting of a regular Officer, whichever is earlier.

SYED ABID AHMED,
Section Officer (Org-II).

(Aviation Division)

Islamabad, the 16th September, 2020

No. 2-3/2017-AT-II.—The Federal Cabinet in Case No.613/34/2020, dated 1st September, 2020 has been pleased to constitute the following Committee for the engagement of an Audit Firm to work out the most efficient structure for the Pakistan Airports Authority and for corporatization:-

- | | |
|---|------------|
| i) Minister for Aviation | — Chairman |
| ii) Minister for Privatization | — Member |
| iii) Adviser to PM on Institutional Reforms | — Member |
| iv) Chairman Board of Investment | — Member |
| v) Secretary Aviation | — Member |

2. The Committee will complete its task within a period of four (4) months and submit report to the Cabinet.

SHEIKH NOOR MUHAMMAD,
Deputy Secretary (CAA).

(Establishment Division)

Islamabad, the 1st September, 2020

No. PF. (611)/E-5(PAS).—In partial modification of this Division's Notification No.9/11/2019-E-5 (PAS) dated 27th January, 2020, Dr. Tanveer Ahmed Qureshi, a BS-22 officer of Pakistan Administrative Service, presently posted as Special Secretary, Communications Division, shall stand retired from Government Service on 16th October, 2020, on attaining the age of superannuation.

No. PF. (550)/E-5(PAS).—This Division's notification of even number dated 3rd October, 2019 whereby Mr. Shamsuddin Soomro (PAS/BS-21) was transferred from Government of Sindh and directed to report to Establishment Division, is hereby cancelled /withdrawn *ab-initio*.

No. F. 12(21)/92-E-3(Police).—Capt. (Retd.) Feroze Shah, a BS-20 Officer of Police Service of Pakistan, presently serving under Government of Khyber Pakhtunkhwa, is transferred and his services are placed at

the disposal of Government of Sindh, with immediate effect and until further orders.

No. PF (946)/E-5(PAS).—Mr. Socrat Aman Rana, a BS-19 Officer of Pakistan Administrative Service, presently posted as OSD, Establishment Division, is transferred and his services are placed at the disposal of Government of the Punjab, with immediate effect and until further orders.

No. PF (1302)/E-5(PAS).—The competent authority has been pleased to approve the change of name of “Mudasir Ahmed”, a BS-18 officer of Pakistan Administrative Service, to “Mudasir Ahmed Shah” as per procedure prescribed in this Division’s O.M. No.40/19/49-SE dated 24th February, 1949.

The above change may be noted and effected in the relevant record.

No. F.12(19)/2013-E-3 (Police).—Mr. Muhammad Imran, a BS-18 Officer of Police Service of Pakistan, presently serving under Government of Gilgit-Baltistan, under Kashmir Affairs and Gilgit-Baltistan Division, is transferred and his services are placed at the disposal of Government of the Punjab, with immediate effect and until further orders.

No. F.12(3)/2018-E-3 (Police).—Ms. Monazza Karamat, a BS-17 Officer of Police Service of Pakistan, presently posted under Government of Gilgit-Baltistan, under Kashmir Affairs and Gilgit-Baltistan Division, is transferred and her services are placed at the disposal of Government of the Punjab, with immediate effect and until further orders.

No. 1/351/2019-E-4.—Mr. Muhammad Tayyib Korejo, Assistant Director (BS-17), Social Welfare Department, Government of Sindh, is transferred and his services are placed at the disposal of Benazir Income Support Programme (BISP) for further posting as Assistant Director (BS-17) in BISP Sindh Region, on deputation basis, for a period of three (3) years, on standard terms and conditions, with immediate effect and until further orders.

MARIAM KAYANI,
Deputy Secretary.

Islamabad, the 1st September, 2020

No. PF.1195/2013-E-VII.—The leave period in respect of Ms. Amna Shuja (OMG/BS-18), Section Officer, Establishment Division is extended for a period of 9 days on half average pay “leave not due” to regularize the period with effect from 1st August, 2020 to 9th August, 2020.

No. PF. 968/2010-E-VII.—Mr. Mehmood Ahmed Bhatti (OMG/BS-18), presently at the disposal of Government of the Punjab, is repatriated and directed to report to Establishment Division, with immediate effect and until further orders.

SHAMS-UD-DIN,
Section Officer.

Islamabad, the 1st September, 2020

No. F.1-31/2017-E-2.—Mr. Ghulam Yaseen, a BS-19 Officer of the Secretariat Group, presently awaiting posting in Establishment Division, is transferred and posted as Deputy Secretary, Parliamentary Affairs Division, with immediate effect and until further orders.

ZAIN AZIZ,
Section Officer.

Islamabad, the 1st September, 2020

No. F.40/623/2019-E-1.—Qazi Zaheer Ahmed, a BS-21 Officer of Secretariat Group, presently posted as Senior Joint Secretary, Industries & Production Division, is transferred and posted as Senior Joint Secretary, Planning, Development & Special Initiatives Division, with immediate effect and until further orders.

No. F.15/03/2020-E-1.—Mr. Waqar ud Din Siddiqui, a BS-19 Officer of the Secretariat Group, presently posted as Deputy Secretary, Parliamentary Affairs Division, is transferred and posted as Joint Secretary, Industries & Production, Division, under Section 10 of the Civil Servants Act, 1973, with immediate effect and until further orders.

ATIF R. KHATTAK,
Section Officer.

[BENAZIR INCOME SUPPORT PROGRAMME]

Islamabad, the 20th November, 2019

No. F.1(789)/BISP/HR/2015.—The services of Mr. Muhammad Shoab Khan, Assistant Audit Officer (BPS-17), Directorate General of Audit Defence Services, under Office of the Auditor General of Pakistan, Islamabad presently posted at BISP Head Office, Islamabad, is hereby repatriated and would stand relieved from his duties with immediate effect to join his parent department.

Islamabad, the 11th September, 2020

MINISTRY OF CLIMATE CHANGE

Islamabad, the 3rd December, 2019

No. 1(935)/BISP/HR/2016.—In pursuance of Establishment Division's Notification No.1-96/2012-E-2 dated 28th August, 2019, the deputation period of Mr. Arif Karim (BS-19 officer of Secretariat Group), presently posted as Director (Field Operations) in BISP HQ, is hereby extended for one year with effect from 20th July, 2020 to 19th July, 2021 (5th year of deputation) on existing terms and conditions.

MUHAMMAD SALEEM ULLAH,
Deputy Director (HR), (HQ Establishment).

No. F.1(138)/Admn-I/CC/2019.—In pursuance of Establishment Division's Notification No.PF(599)/E-5(PAS), dated 29th November, 2019, Mr. Hasan Nasir Jamy, a BS-22 Officer of Pakistan Administrative Service (PAS), has relinquished the charge of the post of Secretary (BS-22), in the Ministry of Climate Change on 2nd December, 2019.

MUHAMMAD SIDDIQUE,
Deputy Secretary (Admn-I).

WAFAQI MOHTASIB (OMBUDSMAN)'S SECRETARIAT

Islamabad, the 10th September, 2020

Islamabad, the 13th November, 2019

No. F.1(1048)A-II/2020.—In pursuance of Establishment Division's Notification No.32/04/2020-E-I dated 1st September, 2020, Mr. Abdul Hameed Razi, a BS-22 Officer of Railways (Commercial & Transportation) Group, has assumed the charge of the post of Member (Incharge) (BS-22) in the Wafaqi Mohtasib (Ombudsman)'s Secretariat, Regional Office, Lahore on 4th September, 2020.

2. The officer shall be entitled to draw Special Allowance @ 20% of pay in pursuance of Finance Division's U.O. No.F.2(19)R.3/83-202/07 dated 20th March, 2007, read with Para-9 of the Finance Division's O.M. No.1(5)Imp/2011-419 dated 4th July, 2011.

3. The officer shall also be entitled to draw Deputation Allowance at the rate of 20% subject to maximum of Rs.12,000/- per month in terms of Finance Division's O.M. No.F.1(2)Imp/2016-333 dated 1st July, 2016.

4. This issues with the approval of the Secretary, WMS.

No. F.1(754)A-II/2014.—Mr. Wazir Sultan, Senior Private Secretary (BS-19), Wafaqi Mohtasib (Ombudsman)'s Secretariat, Head Office, Islamabad is hereby granted 26 days leave ex-Pakistan with effect from 14th September, 2020 to 9th October, 2020.

After availing the leave, the officer is likely to resume charge of the same post and station.

This issues with the approval of Secretary, WMS.

MOINUDDIN A. SIDDIQI,
Director (Admn).

No. 1(135)Admn-I/CC/2018.—Mr. Aminullah, Section Officer (CC/BS-18) is allowed to hold Additional Charge of the post of Section Officer (Dev.), Ministry of Climate Change with effect from 7th November, 2019 in addition to his own duties, for a period of three months or till arrival of the regular incumbent, whichever is earlier.

During holding of Additional Charge of the post of Section Officer (CC) the officer is entitled to draw Special Pay @ 20% of his basic pay subject to maximum Rs.12,000/- per month as Additional Charge allowance.

This issues with approval of the Secretary, Ministry of Climate Change.

Islamabad, the 18th November, 2019

No. F.1(144)/Admn-I/CC/2019.—In pursuance of Federal Public Service Commission's Letter No.4-238/2018-R-FS-II dated 24th September, 2019 and being declared medically fit by Central Medical Board, Mr. Mukhtiar Ali Mirbahar is appointed as Assistant Inspector General (Forest/BS-18) in Ministry of Climate Change, Islamabad with effect from 28th October, 2019.

He will be on probation in accordance with the provisions of Section 6 of Civil Servants Act, 1973 read with the Rule 21 of the Civil Servants (Appointments, Promotion and Transfer) Rules, 1973.

This issues with approval of the Secretary, MoCC.

Islamabad, the 27th November, 2019

No. 1(54)Admn-I/CC/2013.—Mr. Aamir Abbas Khan, Deputy Director (Legal/ Enforcement/ /BS-18), Pak-EPA is allowed to hold Additional Charge of the post of Deputy Director (Law), Ministry of Climate Change with effect from

27th November, 2019 in addition to his own duties, for a period of three months or till arrival of the regular incumbent, whichever is earlier.

During the said period of holding of Additional Charge of the post of Deputy Director (Law) the officer is entitled to draw Special Pay @ 20% of his basic pay subject to maximum Rs.12,000/- per month as Additional Charge allowance.

This issues with approval of the Secretary, Ministry of Climate Change.

No. PF.4(85)/Admn-I/CC/2013.—Mr. Warasat Hussain Abbasi, Assistant Private Secretary (APS/BS-16) of this Ministry is granted one hundred twenty (120) days leave on full pay (LFP) from 1st December, 2019 to 29th March, 2020. After expiry of leave he is likely to resume his duty on same post and station.

This issues with approval of the Competent Authority.

Islamabad, the 29th November, 2019

No. F.1(56)/Admn-I/CC/2018.—In pursuance of Establishment Division's Notification No.PF.6/2/2018-E-VII, dated 23rd September, 2019, Mr. Javed Shah, a BS-18 officer of Office Management Group has relinquished the charge of the post of Section Officer (BS-18), MoCC on 18th November, 2019.

Islamabad, the 20th December, 2019

No. F.1(135)/Admn-I/CC/2018.—In pursuance of Establishment Division's Notification No.PF.1202/2013-E-VII, dated 21st November, 2019, Ms. Farwa Abbas, Section Officer, a BS-18 Officer of Office Management Group has relinquished the charge of the post of Section Officer (BS-18), MoCC on 25th November, 2019.

This issues with approval of the Secretary, MoCC.

Islamabad, the 9th January, 2020

No. 1(134)/Admn-I/CC/2016.—Mr. Hasan Sardar Kundi, Section Officer (F&A/BS-17) is allowed to hold Additional Charge of the post of Private Secretary (BS-17), Ministry of Climate Change in addition to his own duties, for a period of one month or till arrival of the regular incumbent with effect from 14th January, 2020 to 17th February, 2020, whichever is earlier.

During the said period of holding Additional Charge of the post of Private Secretary the officer is entitled to draw Special Pay @20% of his basic pay subject to maximum Rs.12,000/- per month as Additional Charge Allowance.

This issues with approval of the Secretary, Ministry of Climate Change.

INTSAR ALI KHAN,
Section Officer (Admn-I).

[PAKISTAN ENVIRONMENTAL PROTECTION AGENCY]

Islamabad, the 3rd August, 2020

No. F.5(82)/2015-Admn.—In pursuance of Ministry of Climate Change's Notification No.F.4(4)/2015-Admn-II, dated 22nd July, 2020, the competent authority hereby relieve the services of Mr. Muhammad Asif, Assistant Director (A/F), Pakistan Environmental Protection Agency (Pak-EPA) to join his new assignment as Excise and Taxation Officer (ETO) (BS-17) at Excise, Taxation & Narcotic Department, Government of Sindh on 27th July, 2020.

The officer is granted lien against the post of Assistant Director (A/F), Pakistan Environmental Protection Agency (Pak-EPA), Ministry of Climate Change for a period of two years or till his confirmation in Excise, Taxation & Narcotic Department, Government of Sindh, whichever is earlier.

This issues with the approval of Director General, Pak-EPA.

MUHAMMAD RASHID CHEEMA,
Assistant Director (A/F).

MINISTRY OF COMMERCE AND TAXILE

(Commerce Division)

Islamabad, the 10th September, 2020

No. 11(1)/84-Admn-I/MoC.—Mr. Muhammad Imtiaz, Superintendent, Ministry of Commerce, Islamabad, had been assigned current charge for the post of Section Officer (MoC), Ministry of Commerce, with effect from 29th May, 2020 to 28th August, 2020.

This issues with the approval of Secretary Commerce.

MUHAMMAD ALI TAGAR,
Section Officer.

Islamabad, the 1st October, 2019

No. 9(1)78-Admn-I/MoC.—In pursuance of Commerce Division's notification of even number, dated 25th June, 2019 Mr. Ghulam Rasool, has relinquished the charge

of the post of Senior Private Secretary (BS-19), Commerce Division, Islamabad, on 30th September, 2019. The officer stands retired from Government Service on attaining the age of superannuation. *i.e* 1st October, 2019.

ARSHAD NAWAZ,
Deputy Director (MoC).

—————
(Textile Division)

Islamabad, the 21st October, 2019

No. PF.2(258)TID/18-Admn.—In pursuance of Establishment Division's Notification No. 9/141/2018/E-5(PAS) dated 31st December, 2018 Syed Iftikhar Hussain Babar, a BS-22 Office of Pakistan Administrative Service posted as Secretary, Ministry of Commerce and Textile (Textile Division) retired from Government Service on attaining the age of Superannuation on 19th October, 2019.

The Officer has relinquished charge of the post of Secretary (BS-22) in Textile Division on 19th October 2019.

MUHAMMAD NAEEM,
Deputy Secretary (Admn.).

—————
Islamabad, the 23rd September, 2019

No.1(40) TID-18/TR-I.—In Supersession of this Division's notification of even number dated 1st March, 2019 the competent authority is pleased to appoint Mr. Ahsan Bashir as Chairman Task Force on Textiles. He would be responsible for all aspects of Textile Policy formulation and its implementation. He would submit progress reports to the Advisor to Prime Minister on Commerce, Textile, Industries & Production and Investment.

Mr. Ahsan Bashir will take his position with immediate effect. He will be Working on honorary basis with no emoluments or benefits. The new members of the task force will be notified later on.

WAJEEHA BASHIR,
Section Officer (TR-I).

—————
Islamabad, the 26th September, 2019

No. 2(263)TID/19-Admn.—In pursuance of the Establishment Division's Notification No.PF.6/2/2018-E-VII dated 24th September, 2019, Mr. Umar Farooq, a BS-17 Officer of Office Management Group has assumed the charge of the post of Section Officer (BS-17) in Textile Division on 24th September, 2019.

Islamabad, the 10th January, 2020

No. PF.2(17)TID/06-Admn.—In pursuance of the Ministry of Law and Justice Notification No.F.29(10).2013-A-III dated 7th January, 2020, the Services of Mr. Asad Khan, Private Secretary (BS-18), Textile Wing have been relieved with immediate effect for posting in Ministry of Law and Justice/ Special Courts (Offences in Banks) Islamabad on deputation basis initially for a period of three years on standard terms and conditions.

Islamabad, the 18th February, 2020

No. PF.1(81)TID/19-Admn.—Consequent upon the acceptance of terms and conditions contained in this Division's Offer Letter bearing No.1(81)/TID/20-Admn dated 23rd January, 2020, Mr. Kanwar Muhammad Usman is appointed as Director General in MP-I scale on contract basis for a period of two years with effect from 23rd January, 2020.

No. PF.1(81)TID/19-Admn.—Consequent upon the acceptance of terms and conditions contained in this Division's offer Letter bearing No.1(81) TID/20-Admn dated 23rd January, 2020, Mr. Adil Majeed is appointed as Manager (Information Technology) in MP-III scale on contract basis for a period of two years with effect from 23rd January, 2020.

NUZHAT HUSSAIN,
Section Officer.

MINISTRY OF COMMUNICATIONS

Islamabad, the 10th September, 2020

No. 2(49)/2013-RT.—Pursuant to Ministry of Information, Broadcasting, National History and Literary Heritage's Letter No.1(10)2020-EP(ISA) dated 20th May, 2020, Mrs. Ambreen Gul Shahid, a BS-19 officer of the Information Group, has relinquished her charge from the post of Deputy Chief (BS-19) in National Transport Research Centre (NTRC) on 21st August, 2020.

This issues with the approval of Secretary Ministry of Communications.

MUHAMMAD FARDOS,
Section Officer (R-II).

DEPARTMENT OF THE AUDITOR-GENERAL OF PAKISTAN

Islamabad, the 2nd September, 2020

No. 109/PAAS-I/02-95-II. (496).—Mr. Abdul Ghafoor Khan a BS-21 PA&AS officer has relinquished the charge of the post of Rector, in the office of the Rector Pakistan Audit & Accounts Academy, Lahore, on 13th August, 2020

and assumed the charge of the post of Accountant General Punjab in the office of the Accountant General Punjab, Lahore, on same date in pursuance of Auditor-General of Pakistan Islamabad Notification No.38-Dir(A)/2-2/20 dated 6th August, 2020.

No. 110/PAAS-I/57-96-1(571).—Dr. Uzma Ikram a BS-20 PA&AS officer has assumed the charge of the post of Member Finance in Ministry of Railways, Islamabad (OPS), on 12th August, 2020 in pursuance of Auditor-General of Pakistan Islamabad Notification No.38-Dir(A)/2-2/20 dated 6th August, 2020.

No. 111/PAAS-I/14-2003 (614).—Mr. Mahmood Amir a BS-20 PA&AS officer has relinquished the charge of the post of Director General, in the office of the Director General Audit (Local Councils), Balochistan on 30th June, 2020 and assumed the charge of the post of Treasurer, in Sardar Bahadur Khan Women's University (SBKWU), on 19th August, 2020 in pursuance of Auditor-General of Pakistan Islamabad Notification No.736-CA-III/5-7/2019/(164) dated 10th August, 2020.

No. 112/PAAS-I/90-88(615).—Consequent upon attaining the age of superannuation, Mr. Shibli Farooqi, a BS-20 officer of Pakistan Audit & Accounts Service, presently posted as Director (Finance), SUPARCO, Karachi (OPS) shall stand retired from Government Service on 18th January, 2021 (his date of birth being 18th January, 1961).

No. 113/PAAS-I/8-94(564).—Consequent upon attaining the age of superannuation, Khwaja Ovais Adil, a BS-20 officer of Pakistan Audit & Accounts Service, presently posted as Accountant General Balochistan, Quetta (OPS) shall stand retired from Government Service on 6th January, 2021 (his date of birth being 6th January, 1961).

No. 114/PAAS-I/86-92-II(499).—Consequent upon attaining the age of superannuation, Sardar Azmat Shafi, a BS-21 officer of Pakistan Audit & Accounts Service, presently posted as Deputy Auditor General (QAI&M), in office of the Auditor General of Pakistan, Islamabad, shall stand retired from Government Service on 26th February, 2021 (his date of birth being 26th February, 1961).

No. 115/PAAS-I/41-91-II(465).—Consequent upon attaining the age of superannuation, Mr. Azhar Hameed, a BS-21 officer of Pakistan Audit & Accounts Service, presently posted as Chairman, Employees Old-Age Benefits Institution (EOBI), Karachi, shall stand retired from Government Service on 19th February, 2021 (his date of birth being 19th February, 1961).

No. 443/PAAS-II/19-2017.—Consequent upon transfer/posting *vide* Office of the Auditor General of Pakistan Islamabad's Notification No.25/Dir(A-II)/2-(5/6)/2020-I

dated 21st August, 2020, Mr. Pirzada, a BS-18 PA&AS Officer, has relinquished the charge as Deputy Controller, in Controller Local Audit (DS) Sub. Office, Rawalpindi on 31st August, 2020 and assumed the charge of the post of Deputy Director (Legal), in the Office of the Auditor General of Pakistan Islamabad, on 1st September, 2020.

NADIA USMAN,
Assistant Auditor General (PAAS).

Islamabad, the 12th December, 2019

No. 1158/Estt-C/25-2018.—In Supersession of this Office Notification No.821/Estt-C/25-2018 dated 21st August, 2019, Mr. Muhammad Akbar, Audit Officer Office of the Director General Audit Sindh, Karachi will stand retired from Government Services on 19th July, 2020 (his date of birth being 19th July, 1960).

Islamabad, the 20th December, 2019

No. 1199/Estt-C/01-2016-I.—In supersession of this office earlier Notification bearing No.651/Estt-C/01-2016-I dated 26th June, 2019, Mr. Azhar Aslam Nizami, Audit Officer (BS-18), Office of the Director General Audit, Sindh, Karachi shall superannuate from Government Service on 15th May, 2020 (his date of birth being 15th May, 1960) on attaining the age of 60 years.

Islamabad, the 8th January, 2020

No. 16 /Estt-C/25-2018.—Consequent upon attaining the age of superannuation, Mr. Muhammad Akhtar, Assistant Audit Officer (BPS-17), of the Office of Director General Audit Balochistan, Quetta shall stand retired from Government Service on 3rd August, 2020 (his date of birth being 3rd August, 1960).

No. 18 /Estt-C/01-2016/I.—Consequent upon attaining the age of superannuation, Mr. Waseem-ud-Din Butt, Audit Officer Office of Director General Audit Works (Provincial), Lahore shall stand retired from Government Services on 21st July, 2020 (his date of birth being 21st July, 1960).

Islamabad, the 1st September, 2020

No. 542 /Estt-C/25-2018.—Consequent upon attaining the age of superannuation, Mr. Muhammad Qasim, Assistant Audit Officer (BPS-17), of the Office of Director General Audit (Punjab), Lahore shall stand retired from Government Service on 5th April, 2021 (his date of birth being 6th April, 1961).

SYED WASEEM ABBAS,
Audit Officer (Establishment).

Islamabad, the 11th November, 2019

No. 1059/63-Admn.I/C/2002.—In continuation of this office Notification bearing No.622/63-Admn.I/C/2002, dated 27th June, 2019, the competent authority has been pleased to extend suspension period of Mr. Shahzad Ahmed Iqbal, Audit Officer of the office of Auditor General of Pakistan for further three months with effect from 22nd September, 2019 to 21st December, 2019.

[Authority: AGP's orders dated 8th November, 2019 at Para-385/N.]

RASHID ANWAR,
Audit Officer (Admn.I).

[OFFICE OF THE CONTROLLER GENERAL OF ACCOUNTS]

Islamabad, the 1st September, 2020

No. 628/CGA/Estt-II/AAO/56-C/2010.—The Controller General of Accounts has been pleased to order the repatriation of Mr. Muhammad Sulaiman Khan, Assistant Accounts Officer from office of the Directorate General Intelligence and Investigation (Customs) – FBR, Peshawar to his parent office *i.e.* Accountant General Pakistan Revenues, Islamabad.

No. 627/CGA/Estt-II/AAO/56-C/2010.—The Deputy Controller General of Accounts has been pleased to order the posting / transfer of Mr. Daud Khan, Assistant Accounts Officer from office of the Accountant General Pakistan Revenues, Sub-Office, Peshawar to Directorate General Intelligence and Investigation (Customs) – FBR, Peshawar for a period of three years.

ROIDAR ALI,
Accounts Officer (Establishment).

[OFFICE OF THE ACCOUNTANT GENERAL PAKISTAN REVENUES]

Islamabad, the 16th December, 2019

No. Admn-I/PF-A.O/C.M.A/68/211.—Consequent upon posting under deputation *vide* Controller General of Accounts Notification No.951/CGA/Estt-II/Deputations/2016 PF dated 9th December, 2019 to “National Police Academy, Islamabad”, Ch. Munir Ahmed Accounts Officer (BPS-18) is hereby relieved from the office of Accountant General Pakistan Revenues, Islamabad with effect from 16th December, 2019 with the direction to join his new assignment in “National Police Academy, Islamabad”.

The officer relinquished the charge of the post of Accounts Officer (BS-18) in this office on 16th December, 2019.

Authority: Accountant General's orders dated 13th December, 2019

Islamabad, the 17th December, 2019

No. Admn-I/PF-A.O/GNC/164/213.—Consequent upon his temporary transfer from Director General Pakistan Revenues, Sub-Office of the AGPR Karachi *vide* this office Notification No.Admn-I/P.F-A.O/GNC/164/188 dated 28th November, 2019, Mr. Ghulam Nabi Chaudhry, Accounts Officer (BS-18) has assumed charge in this office on 29th November, 2019.

Authority: Accountant General's Orders dated 13th December, 2019 at Para-12/N.

Islamabad, the 30th December, 2019

No. Admn-I/PF-AAO/551/ARB/228.—Consequent upon his posting on deputation basis to “Office of the Inspector General of Police, Islamabad” *vide* Office of the Controller General of Accounts Notification No.996/CGA/Estt/AAO/16-C/2018 dated 20th December, 2019, the Accountant General has been pleased to allow relieving of Mr. Asif Raza Bokhari, Assistant Accounts Officer (BS-17) from this office with immediate effect, with the direction to join his new assignment.

Islamabad, the 2nd January, 2020

No. Admn-I/2-4/Dep/P.File/831.—Consequent upon his posting on deputation basis to “National Accountability Bureau, Islamabad” *vide* Office of the Controller General of Accounts Notification No.963/CGA/Estt/AO/NAB/2017 dated 12th December, 2019, the Accountant General has been pleased to allow relieving of Mr. Faisal Mehmood, Assistant Accounts Officer (BS-17) from this office with immediate effect, with the direction to join his new assignment.

UMAIR ALI KHAN,
Assistant Accountant General (Admn).

Islamabad, the 11th August, 2020

No. Admn-I/PF-AO/MHK/136/1753.—Consequent upon his repatriation from “National Institute of Rehabilitation Medicine, Ministry of National Health Service, Regulation & Coordination Islamabad” Mr. Muhammad Hafeez Khokhar has assumed the charge of the post of Accounts Officer

(BS-18) in Office of Accountant General of Pakistan Revenues, Islamabad on 5th August, 2020.

Authority: Accountant General Orders dated 11th August, 2020.

Islamabad, the 12th August, 2020

No. Admn-I/PF-AO/MKJ/145/1756.—In pursuance of Controller General of Accounts Islamabad's Notification No.516/CGA/Estt/P.T/Cadared-Posts/2020/AGPR dated 23rd July, 2020 Accountant General of Pakistan Revenues has approved relieving of Mr. Muhammad Khalid Javed Sial, Accounts Officer (BPS-18) of this Office to join his new assignment in "Ministry of Law & Justice, Islamabad" on deputation basis.

The officer has relinquished the charge of the post of Accounts Officer (BPS-18) in office of the Accountant General of Pakistan Revenues, Islamabad on 12th August, 2020.

Islamabad, the 14th September, 2020

No. Admn-I/PF-AAO/579/AK/63.—Consequent upon his posting against cadre post in "Office of the Attorney General of Pakistan, Islamabad" *vide* Office of the Controller General of Accounts Notification No.597/CGA/Estt-II/Deputation/2015-16 dated 27th August, 2020, the Accountant General has been pleased to allow relieving of Mr. Akramullah Khan, Assistant Accounts Officer (BS-17) from this office with immediate effect, with the direction to join his new assignment.

MUHAMMAD AKRAM AWAN,
Accounts Officer (Admn-I).

MINISTRY OF ENERGY

(Petroleum Division)

Islamabad, the 10th September, 2020

No. 4(114)/2008-Admn.—The Competent Authority has been pleased to allow Mr. Waqar Zulfiqar Ahmed Asif, Section Officer (BPS-18) of this Division, leave on full pay for a period of 14 days with effect from 1st September, 2020 to 14th September, 2020.

This issues with the approval of Joint Secretary (A&CA).

MUHAMMAD BILAL KHAN,
Section Officer (Admn).

(Power Division)

Islamabad, the 16th December, 2019

No. 5(58)/2009-Admn.—In pursuance to Ministry of Law & Justice Islamabad Notification No.11(30)/2015-Admn.V

dated 28th November, 2019, Mr. Aftab Hussain, Assistant Private Secretary (BS-16), Power Division, Islamabad is hereby joined his duties with effect from 3rd December, 2019, in Power Division, Islamabad.

RANA TARIQ ALI,
Section Officer (Admn).

MINISTRY OF FINANCE, REVENUE &
ECONOMIC AFFAIRS

(Economic Affairs Division)

Islamabad, the 10th September, 2020

No. 5(22)/EA/AI/2008.—Consequent upon recommendation of the DPC and with the approval of competent authority, *i.e.* Secretary, Economic Affairs Division, Mr. Amanat Ali, Assistant Private Secretary (BS-16) is promoted against the vacant post of Private Secretary (BS-17) in the Economic Affairs Division from the date of Departmental Promotion Committee (DPC) meeting *i.e.* 21st May, 2020.

He will be on probation as provided under Rule 21 of Civil Servants (Appointment, Promotion & Transfer) Rules, 1973.

No. 1(8)/EA/AI/2019.—Consequent upon recommendations of the DPC and with the approval of competent authority, *i.e.* Secretary, Economic Affairs Division, the promotion of Mr. Tasawar Hussain, Assistant Private Secretary (BS-16) to the post of Private Secretary (BS-17) in Economic Affairs Division notified *vide* this Division's Notifications No.15(16)/EA/A1/2010 dated 13th May, 2019 and No.1(8)EA/A1/2019 dated 17th May, 2019 is hereby withdrawn *ab-initio*.

SAJID HUSSAIN ABBASI,
Section Officer (Admin-I).

MINISTRY OF FEDERAL EDUCATION &
PROFESSIONAL TRAINING

Islamabad, the 14th September, 2020

No. F.4-9/2013-PT/FBISE.—Consequent upon approval of the Federal Government in terms of Section 11(2) of the FBISE Act, 1975, Mr. Qaiser Alam (Chairman, BISE Peshawar / DG Protocol (BS-20), Protocol Wing, Administration Department, Government of Khyber Pakhtunkhwa) is appointed as Chairman, Federal Board of Intermediate and Secondary Education on deputation basis with immediate effect, for a period of three (3) years.

MUAHMAD KAMRAN,
Section Officer (Prom/FBISE).

Islamabad, the 2nd January, 2019

No. F.29-7/2013-TT.—In pursuance of Establishment Division's Notification No.F.1/132/2010/E-6 dated 27th December, 2018, Syed Javed Hassan has assumed the charge of Chairman, National Vocational Technical Training Commission (NAVTTTC) on honorary basis with effect from 27th December, 2018.

TANVEER AHMED KAKAR,
Section Officer (TT).

MINISTRY OF INDUSTRIES AND PRODUCTION

Islamabad the 10th September, 2020

No. 9(14)/2020-Admn-I.—While conducting the Inquiry against Officers of this Ministry, on account of the violent conflict between Mr. Nazir Ahmed Loand, Private Secretary BS-18 and Mr. Mudassir Saeed, Assistant Private Secretary BS-16 resulting in breach of official decorum, Mr. Nazir Ahmed Loand, is hereby exonerated from all charges leveled against him.

SHAHADAT ALI KHAN,
Section Officer (Admn-II).

Islamabad, the 10th September, 2020

No. 1(50)/2019-Admn-I.—Pursuance to CGA's Notification No.504/CGA/Estt/P.T/Cadered-Posts/2020/AGPR dated 23rd July, 2020, Mr. Aimal Khan, Accounts Officer (BS-18) an officer of Accountant General Pakistan Revenues (AGPR), has relinquished the charge of the post of Assistant Accounts Officer (BS-17) and assumed the charge of the post of Accounts Officer (BS-18) in Ministry of Industries & Production with effect from 20th May, 2020.

No. 1(41)/2019-Admn-I.—Mr. Muhammad Aman Khan, Superintendent, Ministry of Industries and Production is granted 120 days leave on full pay and 60 days on half pay (total 180 days LFP) with effect from 17th August, 2020.

After expiry of leave, the officer is likely to resume his duty on the same post and place.

No. 1(39)/2019-Admn-I.—Mr. Khalid Mehmood, Superintendent of this Ministry is hereby granted leave for a period of 90 days on full pay with effect from 14th September, 2020, subject to title. After expiry of leave the officer is expected to resume his duty at the same place and post.

2. Mr. Shahadat Ali, Section Officer (Admn-II) is hereby assigned Additional Charge for the post of Section Officer

(Litigation) for three months period with effect from 14th September, 2020 or till the availability of regular officer whichever is earlier. He is also entitled to draw special remuneration @ 20% of his basic pay subject to maximum up to Rs.12,000/- per month whichever is less.

ZAKIRAH AKRAM,
Section Officer (Admn-I).

MINISTRY OF INFORMATION AND BROADCASTING

(National Heritage & Culture Division)

Islamabad, the 2nd September, 2020

No. F.1(4)/2011-Admn.—Mr. Muhammad Ashraf Khan, Section Officer (Org.-I) (BS-18), National Heritage & Culture Division is granted current charge of the vacant post of Deputy Secretary (Admn.) (BS-19), in this Division with effect from 1st September, 2020 for a period of 90 days or till posting of a regular incumbent to the post whichever is earlier. He will be entitled to the financial benefit as admissible under the rules.

This issues with the approval of the PAO/Secretary, National Heritage & Culture Division.

SHER ALAM KHAN,
Section Officer (Admn.).

MINISTRY OF INTERIOR

Islamabad, the 24th October, 2019

No.2/23/2016-F.Con.—Mr. Noor Saleem, Assistant District Officer (BS-17), Frontier Constabulary, Peshawar, is hereby placed under suspension with immediate effect and until further orders.

This issues with the approval of the Competent Authority.

MALIK USMAN AHMAD,
Section Officer (F. Con.).

Islamabad, the 15th September, 2020

No. 5/5/2020-Admn-I.—In pursuance of the Establishment Division's Notification No.F.39/2/2020-E-I dated 11th September, 2020, Mr. Khair Muhammad Kalwar, Deputy Secretary (BS-19/SG) has relinquished the charge of the post of Deputy Secretary, Interior Division on 14th September, 2020.

ABDUL RAZAQ,
Section Officer (Admn.I.).

MINISTRY OF INTER PROVINCIAL COORDINATION

Islamabad, the 10th September, 2020

No. F.1(652)/2019-Admn-I.—This Division's notification of even number dated 10th July, 2020, whereby Mr. Pervaiz Iqbal Bhatti, Assistant Audit Officer (BS-17) posted as Deputy Director (OPS) in Ministry of Inter Provincial Coordination was repatriated to his parent office *i.e.* Office of the Auditor General of Pakistan, is hereby, cancelled/withdrawn *ab-initio*.

SYED WAJID ALI,
Deputy Secretary (Admn).

MINISTRY OF KASHMIR AFFAIRS AND
GILGIT-BALTISTAN

Islamabad, the 10th September, 2020

No. F.1 (40)-Admn/2011.—In pursuance of Establishment Division's Notification No.11/16/2017-E-I dated 17th August, 2020 Mr. Abdul Latif Soomro, a BS-20 Officer of Pakistan Audit and Accounts Service, office of Auditor General of Pakistan has assumed the charge of the post of Chief Finance & Accounts Officer in this Ministry on 3rd September, 2020.

No. E.8(4)-83-II.—Mr. Muhammad Akram, Private Secretary (BS-18) Ministry of Kashmir Affairs & Gilgit-Baltistan, opted for pre-mature retirement and the same has been approved by the competent authority.

The Officer shall now stand retired from Government Service on 7th December, 2020.

HAMID MAHMOOD RANA,
Deputy Secretary.

MINISTRY OF LAW AND JUSTICE

(Law and Justice Division)

Islamabad, the 22nd February, 2020

No. F.6(1)/2015-Sol.IV.—In exercise of powers conferred under Article 100(4) of the Constitution of the Islamic Republic of Pakistan, 1973, the President is pleased to accept the resignation of Mr. Anwar Mansoor Khan from the post of Attorney General for Pakistan with immediate effect.

No. F.6(1)/2015-Sol.IV.—In exercise of powers conferred under Article 100(1) of the Constitution of the Islamic Republic of Pakistan 1973, the President is pleased

to appoint Mr. Khalid Jawed Khan as Attorney General for Pakistan with the rank and status of Federal Minister with immediate effect.

MUHAMMAD UMER AZIZ,
Joint Secretary.

Islamabad, the 10th September, 2020

No. 6(2)/2013-A.III.—In exercise of the powers conferred under Section 14 of the Anti-Terrorism Act, 1997, the Federal Government is pleased to appoint Mr. Shahrukh Arjumand, District and Sessions Judge (BS-21) as Judge Special Court (Anti-Terrorism-II), Islamabad on deputation basis, for another period of two years in his own pay and scale or until further orders, whichever is earlier, with effect from the date of assumption of charge.

No. 24(7)/1997-A.III (Vol-III).—In exercise of the powers conferred under Section 5(4) of the Financial Institutions (Recovery of Finances) Ordinance, 2001 (XLVI of 2001), the Federal Government is pleased to extend the deputation period of Mr. Muhammad Saad Qureshi, District and Sessions Judge (BS-21) as Judge, Banking Court-III, Karachi in his own pay and scale for another period of two (2) years or until further orders, whichever is earlier, with effect from 10th April, 2020. He is also authorized to exercise DDO Powers of the said Court.

MUHAMMAD RAZAULLAH LAKHO,
Section Officer (A-III).

Islamabad, the 24th December, 2019

No. F.2(4)/2015-A.IV.—With the approval of competent authority, Mr. Qurban Ali Khan, Member Technical (BS-21), Customs Appellate Tribunal, Peshawar has been appointed as Controlling Officer in respect of bills, pay, T.A. Bills and all other bills of contingent expenditures of the Customs Appellate Tribunal, Peshawar.

MUHAMMAD OMER FAROOQ,
Section Officer.

MINISTRY OF NATIONAL HEALTH SERVICES,
REGULATIONS & COORDINATION

Islamabad, the 11th June, 2020

No. PF.1-14/2014-Admn-I (Vol-I).—On attaining the age of superannuations, Mr. Muhammad Jamil, Deputy Director (BS-18), Ministry of National Health Services, Regulations

and Coordination (NHSR&C) will stand retired from Government Service with effect from 12th June, 2020. His date of birth is 12th June, 1960.

ASGHAR ALI,
Deputy Secretary (Admn.).

Islamabad, the 18th November, 2019

No. F.1-3/2019-SO (Pop./A-III).—The Competent Authority *i.e.* Secretary, Ministry of National Health Services, Regulations & Coordination, Islamabad has been pleased to assign the Current Charge of the post of Director (BPS-19), National Research Institute for Fertility Care (NRIFC), Karachi to Dr. Fareeha Nadeem, Deputy Director, (BPS-18), NRIFC, Karachi for a period of three months with effect from 11th November, 2019 or till the posting of a regular officer whichever is earlier.

No. F.1-3/2019-SO (Pop./A-III).—The Competent Authority *i.e.* Secretary, Ministry of National Health Services, Regulations & Coordination, Islamabad has been pleased to assign the Current Charge of the post of Director (BPS-19), Central Warehouse & Supplies (CW&S), Karachi to Dr. Syed Qararo Shah, Deputy Director, (BPS-18), National Research Institute for Fertility Care (NRIFC), Karachi for a period of three months with effect from 11th November, 2019 or till the posting of a regular officer whichever is earlier.

Islamabad, the 26th November, 2019

No. F.1-6/19-SO (Pop./A-III).—The Competent Authority *i.e.* Secretary, Ministry of National Health Services, Regulations & Coordination, Islamabad has been pleased to delegate the following Administrative & Financial powers of National Institute for Population Studies (NIPS), Islamabad to Dr. Nasser Mohiuddin, Director General (Tech.), Ministry of National Health Services, Regulations & Coordination, Islamabad till posting of regular Executive Director (NIPS):-

A. Administrative Powers
<ul style="list-style-type: none"> i. To grant leave to all officers/ officials of NIPS except ex- Pakistan leave ii. Posting/ Transfer of NIPS staff (BPS-1 To BPS-16) iii. Controlling Officer of all officers/officials of NIPS for countersignature on TA/DA bills iv. To hold meetings, seminars/workshops/ trainings
B. Financial Powers
To sanction all type of expenditure out of NIPS budget allocation including projects:
<ul style="list-style-type: none"> i. Utilities bills (telephone, electricity, gas, water and internet charges)

- ii. Rent of residential buidings
- iii. Repair/maintenance of office building
- iv. Purchase of POL, repair & maintenance, office stationary, postage & telegraph and other msicellaneous items.
- v. Expenditure on overtime allowance
- vi. To sanction of all expenditures relating to ongoing projects up-to five hundred thousand

Islamabad, the 11th December, 2019

No. PF.26 (12)/2019-S.O(A-II)/NRIFC.—In partial modification of this Division's Office Order No.P.F.98 (NRIFC)/Estt. dated 2nd May, 2019, the competent authority *i.e.* Joint Secretary (Admn), Ministry of National Health Services, Regulations & Coordination, Islamabad has been pleased to allow 365 days encashment in lieu of 365 days LPR to Mr. Muhammad Ibrahim Accountant (BS-16), National Research Institute of Fertility Care (NRIFC), Karachi under Ministry of NHSR&C with effect from 1st August, 2019 to 6th April, 2020 is as under :-

- i) As Statistical Assistant (BS-14) With Effect From 7th April, 2019 to 31st July, 2019
- ii) As Accountant (BS-16) with effect from 1st August, 2019 to 6th April, 2020

2. The officer shall stand retire from Government Service on 6th April, 2020 on attaining the age of superannuation.

ZAFAR IQBAL,
Deputy Secretary (P&L).

[DRUG REGULATORY AUTHORITY OF PAKISTAN]

Islamabad, the 10th September, 2020

No. PF.1706-ADA/ADMN-I (VOL-II).—Mr. Ahmad Din Ansari, Deputy Director (BS-18), Biological Drugs Division, Drug Regulatory Authority of Pakistan, Islamabad was granted 120 leave with full py with effect from 11th May, 2019 to 7th September, 2020.

After availing the said leave, the officer concerned has assumed the charge with effect from 8th September, 2020 on the same post and at the same station.

ULFAT RASOOL,
Assistant Director (Admin-I).

MINISTRY OF PLANNING DEVELOPMENT & REFORM

[PLANNING COMMISSION]

Islamabad, the 18th October, 2019

No. 5(74)HRM-III/PDR/2019.—In pursuance of Establishment Division's Notification No.F.32/6/2017-E-I dated 14th October, 2019, Mr. Ghulam Dastgir Khan Baloch, a BS-20 Officer, has assumed charge of the post of Joint Secretary, Planning Development & Reform with effect from 15th October, 2019.

INAM ULLAH KHAN,
Deputy Secretary.

Islamabad, the 22nd October, 2019

No. 8(45)HRM-I/PDR/19.—Consequent upon his selection by the Federal Public Service Commission and upon acceptance of terms and conditions of the post offered to him *vide* this Ministry's Memorandum No.2(2-2)HRM-I/PDR/01 dated 2nd October, 2019, the Competent Authority has been pleased to appoint Mr. Mehboob ur Rehman as Research Officer (BS-17), Mass Media & CSTY Section, Ministry of Planning, Development & Reform, Islamabad with effect from 8th October, 2019 on temporary basis.

Mr. Mehboob ur Rehman has assumed charge of the post of Research Officer (BS-17), Mass Media & CSTY Section, Ministry of Planning, Development & Reform on 8th October, 2019.

The officer will be on probation for a period of one year with effect from 8th October, 2019, extendable for a further period not exceeding 12 months with effect from the date of the completion of his earlier probation period.

Islamabad, the 11th November, 2019

No. 12(28)HRM.I/PD/93.—On attaining the age of superannuation *i.e.* 60 years on 13th March, 2020, Syed Tanwir Husain Bukhari, Senior Chief (BS-21), Transport & Communication Section, Ministry of Planning, Development and Reform shall stand retired from Government Service with effect from 14th March, 2020 in terms of Section 13(1) (ii) of Civil Servants Act, 1973.

Consequent upon his option for encashment of LPR in lieu of 365 days, Syed Tanwir Husain Bukhari, Senior Chief (BS-21) is entitled to receive cash compensation for a maximum period of 365 days from 14th March, 2019 to 13th March, 2020 provided that he does not avail any leave during this period in terms of Finance Division's SRO No.70/(KE)/2012 dated 1st September, 2012.

No. 12(28)HRM.I/PD/93.—On attaining the age of superannuation *i.e.* 60 years on 13th March, 2020, Syed Tanwir Husain Bukhari, Chief (BS-20), Transport & Communication Section, Ministry of Planning, Development and Reform shall stand retired from Government Service with effect from 14th March, 2020 in terms of Section 13 (1) (ii) of Civil Servants Act, 1973.

Consequent upon his option for encashment of LPR in lieu of 365 days, Syed Tanwir Husain Bukhari, Chief (BS-20) is entitled to receive cash compensation for a maximum period of 365 days from 14th March, 2019 to 13th March, 2020 provided that he does not avail any leave during this period in terms of Finance Division's SRO No.70/(KE)/2012 dated 1st September, 2012.

AYESHA JAVED,
Section Officer (HRM-I).

MINISTRY OF PRIVATISATION

[PRIVATISATION COMMISSION]

Islamabad, the 10th September, 2020

No. F.1 (5) Admin/PC/2018.—Pursuant to completion of one (1) year deputation period (20th September, 2019 to 19th September, 2020), Mr. Ejaz Rasool, BS-18 Officer of the Auditor General of Pakistan, posted as Director (PC-18) of the Privatisation Commission will stand relieved from his duties in the Privatisation Commission with effect from 19th September, 2020. He is directed to report to his parent department, on relieving.

SHAHZAD ASIF,
Deputy Secretary (Admin.).

MINISTRY OF RAILWAYS

[RAILWAY BOARD]

Islamabad, the 10th September, 2020

No. Admn-IV/1836-P.—In pursuance of Establishment Division's Notification No.32/6/2017-E-I dated 9th September, 2020, Agha Waseem Ahmed, a BS-20 Officer of Railways (C & T) Group of Pakistan Railways presently posted as Director General/ Operations (BS-20), Ministry of Railways is hereby relieved with immediate effect to join as Joint Secretary (BS-20) in States and Frontier Regions (SAFRON) Division, Islamabad.

WARIS ALI,
Director /Administration.

Islamabad, the 10th September, 2020

No.15/10-Misc/2019-A-I.—Mr. Muhammad Ali Rajpar, a BS-18 officer of Mechanical Engineering Department, was dismissed from service under Government Servants (Efficiency & Discipline) Rules, 1973 on account of gross misconduct, corruption, financial impropriety, corrupt practices and criminal breach of trust during his posting/tenure as Divisional Superintendent, Pakistan Railways, Multan from November 2012 to June 2013 *vide* Ministry of Railways Notification dated 12th September, 2014. The accused Officer preferred an appeal to Appellate Authority *i.e.* Prime Minister of Pakistan against major penalty of “Dismissal from Service” on 22nd September, 2014. The Appellate Authority rejected his appeal as conveyed by the Establishment Division *vide* O.M. dated 16th April, 2015. Afterwards, the accused officer preferred an Appeal No.733(R)CS/2014 before the Federal Service Tribunal, Islamabad against the order of “Dismissal from Service”. The learned Tribunal *vide* judgment dated 26th February, 2016 accepted his appeal and reinstated him in service from the date he was dismissed and remanded the case to the respondent department for conducting de-novo inquiry proceedings against him.

2. In compliance with the above referred judgment of Federal Service Tribunal, Islamabad, the appellant was reinstated in service *vide* this Ministry’s Notification dated 22nd March, 2016. Furthermore, the Authority *i.e.* Secretary/Chairman Railways designated CEO/ Sr. General Manager, Pakistan Railways, Headquarters Office, Lahore as “Authorized Officer” to initiate de-novo disciplinary proceedings against the aforesaid Officer. The Authorized Officer served Charge Sheet along with Statement of Allegations upon Mr. Muhammad Ali Rajpar, ex-Divisional Superintendent, Multan on 12th November, 2018 and appointed Mr. Munir Khan Khilji, the then Chief Signal Engineer, Pakistan Railways, Headquarters Office, Lahore as Inquiry Officer to conduct inquiry in the subject case.

3. The Inquiry Officer submitted Inquiry Report on 11th October, 2019, On the basis of findings of Inquiry Report, the Authorized Officer served Show Cause Notice dated 27th December, 2019 to Mr. Muhammad Ali Rajpar. The accused Officer submitted his reply to the Show Cause Notice. Finally, the Authorized Officer, after considering the reply to the Show Cause Notice submitted by Mr. Muhammad Ali Rajpar, granted him an opportunity of personal hearing on 10th February, 2020. The Authorized Officer referred the case to Authority *i.e.* Secretary/Chairman Railways with the recommendations to impose “Major Penalty” upon him under rule 4(1)(b) of the Government Servants (Efficiency & Discipline) Rules, 1973, having been proved guilty of “Gross Misconduct and Inefficiency”.

4. The Secretary/Chairman Railways in the capacity of Authority also awarded a chance of personal hearing to the accused officer on 2nd June, 2020 and 14th July, 2020 in

the Ministry of Railways, Islamabad. During the course of personal hearing, the detailed charges, findings of the Inquiry Officer and recommendations of the Authorized Officer were read out before Officer. However, the accused Officer could not offer any positive reply in his defense against the allegations leveled against him.

5. Therefore the Secretary/Chairman Railways in his capacity as Authority in terms of rule 2(2) of the Government Servants (E&D) Rules, 1973 read with rule 3(a) & (b) and 4(1)(b)(iv) of the said rules, impose the major penalty of “Dismissal from Service” upon Mr. Muhammad Ali Rajpar, on the grounds of “Inefficiency and Gross Misconduct” with immediate effect.

6. Mr. Muhammad Ali Rajpar, has right to prefer an appeal to the Prime Minister (appellate authority) against the above penalty within 30 days (Thirty Days) after the issuance of this order.

SHAHZAD ZAREEF,
Deputy Director /Admn-I.

Islamabad, the 10th September, 2020

No. 2/3-I.T/2019-A-II.—With immediate effect and until further orders Mr. Muhammad Farooq Iqbal Malik, a BS-19 officer of Traffic & Commercial Department of Pakistan Railways, presently posted as Chief Commercial Manager (BS-20 OPS), Pakistan Railways, Headquarters Office, Lahore is allowed to look after the work of the post of Director/ I.T., Pakistan Railways, Headquarters Office, Lahore in addition to his own duties.

This issues with the approval of the Competent Authority.

WAQAR AHMED,
Deputy Director / Admn-II.

Islamabad, the 21st March, 2020

No. 3/11-2/2019-AI.—The Competent Authority (Prime Minister) in terms of Rule 6 of Civil Servants (Appointment, Promotion and Transfer) Rules. 1973, has been pleased to approve the promotion of the following BS-19 & BS-20 officers of Pakistan Railways to BS-20 and BS-21 with immediate effect:-

- (A) Promotion of the following BS-20 officers of Civil Engineering Department to BS-21:
- (i) Mr. Farrukh Taimur Khan
 - (ii) Mr. Nisar Ahmad Memon
- (B) Promotion of the following BS-19 officers of Civil Engineering Department to BS-20:

- (i) Mr. Nisar Ahmad Khan age of superannuation on January 31, 2021. His date of birth is 1st February, 1961.
- (ii) Mr. M. Hafeez Ullah
- (C) Promotion of the following BS-20 officers of Mechanical Engineering Department to BS-21:
- FAHEEM AHMED MALIK,
Assistant Director /Admn-IV.
-
- (i) Mr. Salman Sadiq Sheikh
- NATIONAL ASSEMBLY SECRETARIAT
- (D) Promotion of the following BS-19 officers of Mechanical Engineering Department to BS-20:
- Islamabad, the 28th September, 2020
- (i) Mr. Samin Ullah Khan Gandapur
- (ii) Mr. Ghulam Qasim
- (iii) Mr. Iftikhar Hussain
- (iv) Mr. Muhammad Nasir
- No. G(359)/Estt.I.(151).**—On expiry of the leave granted *vide* this Secretariat's Notification No.G(359)/Estt.I.(130) dated 25th August, 2020, Syed Ghulam Turi, Senior Private Secretary (BS-19) in the National Assembly Secretariat has resumed the charge of the same post with effect from 23rd September, 2020.
- (E) Promotion of the following BS-19 officer of Electrical Engineering Department to BS-20 on Acting Charge Basis subject to the final outcome of disciplinary proceedings undergoing her in connection with irregularities in procurement of thirty (30) Diesel Generating (DG) sets
- MUHAMMAD FAROOQ,
Section Officer.
-
- (i) Mrs. Ambreen Zaman
- SENATE SECRETARIAT
- Islamabad, the 28th September, 2020
- No. G(245)/ 2017-HRM.(147).**—Ms. Hafsa Farooq, Section Officer (Committee-II) (BPS-17), Senate Secretariat, Islamabad, is granted, subject to title, 25 days leave on full pay with effect from 28th September, 2020 with permission to prefix Saturday and Sunday, falling on 26th and 27th September, 2020, to the leave.
- ASJID RASHID MIRZA,
Deputy Director Admn-I.
- _____
- Islamabad, the 10th September, 2020
- After expiry of the leave, she is likely to resume duty of the same post at Islamabad.
- No. Admn-IV/1241-P.**—Mr. Waris Ali, Director/ Administration (BS-19), Ministry of Railways, Islamabad will finally retire from Government Service on attaining the
- ZAHOOR AHMED,
Section Officer (HRM-I).

The Gazette of Pakistan

PUBLISHED BY AUTHORITY

KARACHI, WEDNESDAY, OCTOBER 28, 2020

PART II

Notifications issued by Ministry of Defence and Ministry of Defence Production

Karachi, the 28th October, 2020

MINISTRY OF DEFENCE

(Defence Division)

No. 504/2020 :

In supersession of this Ministry's notification of even number, dated 18th August, 2020, following officers have assumed the charge of the post of Section Officer (BS-17/OMG/Probationer), in Ministry of Defence, Defence Division on 3rd August, 2020 being Eid ul Azha holidays from 31st July to 2nd August, 2020 :-

- i. Ms. Uzma Naz Satti
- ii. Mr. Kashif Ali
- iii. Mr. Irfan Ullah
- iv. Mr. Muhammad Umar Draaz

[No. 5/3/2018/D-26(Admin-I)].

No. 505/2020 :

In pursuance of this Ministry's notification of even number, dated 2nd July, 2020, LFP in respect of Mr. Waheed, Section Officer, Ministry of Defence has been extended from 17th to 30th July, 2020.

[No. 2/1/2020-D-26(Admin-I)].

No. 506/2020 :

Government of Pakistan, Ministry of Defence regrets to announce the death of Sqn. Ldr. Haris Bin Khalid (Pak/14947) of GD (P) Branch, who died on 7th January, 2020. The Officer is struck off strength of PAF with effect from 8th January, 2020.

[No. 12312/14978/Rec./PB/12/30/D-10(AF-II)/2017].

No. 507/2020 :

Government of Pakistan, Ministry of Defence regrets to announce the death of Flg. Off. Ibad Ur Rehman (Pak/18850) of GD (P) Branch, who died on 7th January, 2020. The Officer is struck off strength of PAF with effect from 8th January, 2020.

[No. 12312/14978/Rec./PB/12/30/D-10(AF-II)/2017].

No. 508/2020 :

Government of Pakistan, Ministry of Defence regrets to announce the death of Sqn. Ldr. Zain Ul Arif (Pak/14978) of Engg. Branch, who died on 22nd May, 2020. The Officer is struck off strength of PAF with effect from 23rd May, 2020.

[No. 12312/14978/Rec./PB/12/30/D-10(AF-II)/2017].

No. 509/2020 :

The undermentioned Officer is transferred from GD(P) to A&SD in substantive rank with seniority in that rank from the date as shown against her name :-

S. No.	Particulars of the Officer	Date of Comm.	Transfer to Ground Branch	Revised Seniority in Subs. Plt. Off. Rank
1.	Flt. Lt. (Ty. Sqn. Ldr.) Anum Masood Pak/15176	15-11-2008	GD(P) to A&SD	19-04-2016

[No. 12312/2/Mng/PB/1/2/D-10 (AF-II)/2017].

No. 510/2020 :

The undermentioned Officer is transferred from GD(P) to A&SD with effect from 1st October, 2019 in substantive Plt. Off. rank, with revised seniority in that rank as shown against his name :-

S. No.	Particulars of the Officer	Date of Comm.	Transfer to Ground Branch	Revised Seniority in Subs. Plt. Off. Rank
1.	Plt. Off. Abdullah Haroon Pak/17566 GD(P).	29-09-2014	GD(P) to A&SD	05-10-2015

[No. 12312/2/Mng/PB/1/2/D-10 (AF-II)/2017].

MIAN MUHAMMAD HILAL HUSSAIN, *HI(M)*, Lt. Gen. (Retd.),
Secretary.

MINISTRY OF DEFENCE PRODUCTION
No. 511/2020 :

Mr. Jamil Anwar, Joint Secretary (BPS-20), Ministry of Defence Production is allowed encashment of 365 days LFP from 6th June, 2020 to 5th June, 2021 against 365 days LFP at his credit in terms of Finance Division (Regulations Wing) Notification No. S.R.O. 70(KE)/2012, dated 29th August, 2012.

2. The officer will perform duties in lieu of the whole period of due leave. Thereafter, he will stand retired from Government service, with effect from 6th June, 2021 on attaining the age of superannuation. His date of birth is 6th June, 1961.

3. This issues with the approval of Secretary (DP).

[No. 2/10/2018/DP-2].

MUHAMMAD MOOSA,
Section Officer.

No. 512/2020 :

In pursuance of Air Headquarters, Islamabad u.o. No. AHQ/12301/12/489/Post/PB, dated 11th July, 2020, Air Commodore Shahab Imtiaz, Pakistan Air Force has relinquished the charge of the post of OSD-II (BPS-20), Ministry of Defence Production, Rawalpindi, on 24th July, 2020.

(No. 2/7/2019/DP-2).

No. 513/2020 :

In pursuance of Establishment Division's Notification No. 4/2/2013-E-4, dated 12th August, 2020, Air Commodore Asif Shahzad, Pakistan Air Force has assumed the charge of the post of OSD-II (BPS-20), Ministry of Defence Production, Rawalpindi, on 12th August, 2020.

[No. 2/8/2020/DP-2].

MUHAMMAD AWAIS QARNI,
Section Officer.



The Gazette of Pakistan

PUBLISHED BY AUTHORITY

KARACHI, WEDNESDAY, OCTOBER 28, 2020

PART III

Notifications issued by the High Courts, the Federal Public Service Commission and by the Attached and Subordinate Offices of the Government of Pakistan

AHK NATIONAL CENTRE FOR RURAL DEVELOPMENT

APPELLATE TRIBUNAL INLAND REVENUE

Islamabad, the 28th August, 2020

(Headquarters)

No. F.5(350)/2020-Admin/13806.—Mr. Suhail Ahmad, Deputy Director (BPS-18), AHK National Centre for Rural Development, Establishment Division Islamabad was granted 40 days leave on full pay (LFP) with effect from 1st June, 2020 to 10th July, 2020 with permission to suffix weekly holidays from 11th-12th July, 2020.

After the expiry of above leave, the officer has resumed his duties at the same post & same station on 13th July, 2020.

FIAZ UR RAHMAN FIAZ,
Assistant Director (HR).

Islamabad, the 28th August, 2020

No. F.5(336)/2017-Admin/13805.—Mr. Fiaz ur Rahman Fiaz, Research Officer (BPS-17), AHK National Centre for Rural Development, Establishment Division Islamabad is granted 33 days leave on full pay (LFP) with effect from 31st August, 2020 to 2nd October, 2020 with permission to prefix & suffix weekly holidays from 29th-30th August, 2020 & 3rd-4th October, 2020.

After the expiry of above leave, the officer is likely to resume his duties at the same station on 5th October, 2020.

MUHAMMAD YOUSAF,
Administrative Officer.

Islamabad, the 27th August, 2020

No. F.1-ATP/HQ(Ad)/2020.—With the approval of the Hon'ble Chairman, ATIR, Mr. Abid Ali Raza, Private Secretary (BS-18) Appellate Tribunal Inland Revenue, Bench-II, Islamabad is granted 12-days leave on full pay with effect from 10th August, 2020 to 21st August, 2020, with permission to Suffix Public Holidays.

Mr. Abid Ali Raza has relinquished the charge of the post of Private Secretary (BS-18) Appellate Tribunal Inland Revenue, Bench-II, Islamabad, on 10th August, 2020 (F.N).

Mr. Abid Ali Raza has assumed the charge of the post of Private Secretary (BS-18) Appellate Tribunal Inland Revenue, Bench-II, Islamabad, on 24th August, 2020 (F.N).

ABDUL RASHEED UJJAN,
Assistant Registrar (Admn).

COLLECTORATE OF CUSTOMS (ADJUDICATION-I)

Karachi, the 31st August, 2020

No. 01-Cus/2020-Estt(Adj-I).—In pursuance of Board's Notification No.1657-C-I/2017 dated 24th August, 2020, Ms. Mahwish Shah (BS-18) Officer of Pakistan Customs Service, has assumed the charge of the post of Deputy Collector Collectorate of Customs, (Adjudication-I), Custom House, Karachi on 31st August, 2020.

WAHEED ANWAR ABRO,
Deputy Collector (HQ).

FEDERAL GOVERNMENT EMPLOYEES HOUSING
AUTHORITY

Islamabad, the 31st August, 2020

No. 21(698)/2018-Depute-HF.—In pursuance of Ministry of Housing & Work's Islamabad Notification No.11(3)/2011-Admn-III, dated 27th August, 2020 and consequent upon the approval of competent authority *i.e.* Secretary Housing & Works, the services of Mr. Muhammad Umair, presently posted as Assistant Director Technical (BS-17) in FGEHA after his promotion as Executive Engineer (BS-18) is hereby stand actualized against the post of Deputy Director Technical (BS-18) on deputation basis in FGE Housing Authority with effect from 30th July, 2020.

MOHSIN ZULFIQAR,
Assistant Director (HR).

FEDERAL SEED CERTIFICATION & REGISTRATION
DEPARTMENT

Islamabad, the 27th August, 2020

No. Admn.PF.5-46/2011/Vol-III/532-35.—The Director General, Federal Seed Certification and Registration Department, Islamabad has been pleased to grant 30 days earned leave on full pay from 10th August, 2020 to 9th September, 2020 to Mr. Siddique Safiullah, Seed Certification Officer (BS-17+SP Rs.200/-P.M), Federal Seed Certification & Registration Department, Peshawar.

After the expiry of leave, he is likely to resume his duty on 10th September, 2020 on the same post and at the same station.

ABDUL SALAM,
Assistant Director (Admn).

FEDERAL SERVICE TRIBUNAL

Islamabad, the 27th August, 2020

No. F.11(5)/95-FST.—In continuation of this Tribunal's notification of even number dated 11th August, 2020, Mr. Anwar-ud-Din, Reader (BS-16), Federal Service Tribunal, Islamabad has been granted 17 days L.F.P from 26th August, 2020 to 11th September, 2020.

On expiry of his leave, the officer is likely to return to duty at the same station from which he proceeds on leave or at an another station at which he is entitled to similar allowances and that there is no likelihood of his reversion to a post carrying lower rate of pay.

MANSAB ALI,
Administrative Officer.

GENERAL HEADQUARTERS FGEI (C/G) DIRECTORATE

(IGT & E's Branch)

Rawalpindi, the 18th August, 2020

No. 04/PF-430/77-FGEI(SA).—Having exercised the option not to avail LPR on attaining the age of superannuation *i.e.* 60 years on 9th June 2021, Mrs. Salma Yasmin, SST, FG Junior Public School No.3 Peshawar Cantt. is hereby granted encashment in lieu of LPR for 365 days with effect from 10th June, 2020 to 9th June, 2021 in accordance with Finance Division's O.M. No.F.1(7)R-4/2004 dated 29th August, 2012.

Certified that 365 days leave on full pay is due at her credit verified by PAO.

She will stand retired from Government Service and her name will be struck off the strength of said school with effect from 9th June, 2021 (AN).

No. 04/PF-904/77-FGEI(SA).—Mrs. Zubaida Anwar, Principal, FG Quaid-e-Azam Public School Chaklala Cantt. is hereby granted 26 days leave on full pay with effect from 3rd August, 2020 to 28th August, 2020 on private affairs.

On expiry of above leave, she is expected to resume her duty in the same school at Chaklala Cantt.

No. 04/PF-1217/77-FGEI(SA).—Mst. Shahida Farooq, TGT, FG Public School (Girls) Ch. Iqbal Rd. Rawalpindi is hereby granted special/iddat leave on full pay for 130 days with effect from 14th July, 2020 to 20th November, 2020.

On expiry of above leave, she is expected to resume her duty in the same school at Rawalpind Cantt.

AGHA JAVED AKBAR KHAN, *Lt. Col.*
For Director General.

Rawalpindi, the 18th August, 2020

No. 04/PF-1308/90-FGEI(CA).—Having exercised her option not to avail LPR on attaining the age of superannuation on 19th April, 2021 (AN) Ms. Sajida Asghar, Associate Professor of Mathematics (BPS-19), FG Postgraduate College for Women, Wah Cantt. is hereby granted encashment of LPR for 226 days from 5th September, 2020 to 19th April, 2021 in accordance with Finance Division's O.M. No.F.1(ii)-IMP/83 dated 18th August, 1983 & SRO(I)/2012 dated 29th August, 2012.

Certified that 226 days leave on full pay stands at her credit as verified by the Audit Office.

On expiry of encashment period, she will stand retired from Government Service and his name will be struck off the strength of the said institution with effect from 19th April, 2021 (AN).

No. 04/PF-1680/05-FGEI(CA).—Sanction is hereby accorded to count previous service for pension purpose from 28th November, 1990 to 18th June, 2005 rendered by Mr. Nazir Ahmed Sajid as Lecturer in Mathematics (BPS-17) under Higher Education Department, Government of the Punjab prior to appointment as Assistant Professor of Mathematics (BPS-18) at FG Quaid-i-Azam College, Scheme-III, Chaklala Cantt. Rawalpindi under FGEIs (C/G) Directorate, Sir Syed Road, Rawalpindi Cantt. where he joined duty on 18th June, 2005 (FN).

Rawalpindi, the 19th August, 2020

No. 04/PF-2384/18-FGEI(CA).—Mr. Shahid Mehmood, Associate Professor of Political Science (BPS-19), FG Liaquat Ali Degree College for Boys, Peshawar Road, Rawalpindi Cantt. is hereby granted *ex-Pakistan / study* leave for 180 days on half average pay (HAP) with effect from 21st August, 2020 to 16th February, 2021.

On expiry of above leave, he is expected to resume duty at Rawalpindi.

No. 04/PF-108/07-FGEI(CA).—Consequent upon her appointment/ selection as Associate Professor of Physics (BPS-19) in Government Girls Degree College Sadda (Kurram) (under Govt. of KPK) *vide* offer of appointment Letter No.SO(C-I)/HE/1-13/KP-PSC/Female/Physics/2018 dated 31st May, 2020, Dr. Raheema Maroof, Lecturer in Physics (BPS-17), FG Degree College for Women, Peshawar Cantt. has been relieved on 31st May, 2020 (F/N).

No. 04/PF-2352/16-FGEI(CA).—Mrs. Komal Saeed, Lecturer in Economics (BPS-17), FG Girls Inter College, Karachi Cantt. is granted maternity leave (Pre Confinement) for 45 days with effect from 7th July, 2020 to 20th August, 2020.

Karachi, the 26th August, 2020

No. 51/770/93/FS-I.—On attaining the age of superannuation *i.e.* 60 years SF-610 Deputy Director Mr. Aamir Ahmed Shah has been retired from Government Service with effect from 17th August, 2020. The Officer relinquished charge of the post of Deputy Director at ASF Karachi Airport on 16th August, 2020 (A/N).

Karachi, the 27th August, 2020

No. 26-1/2020/FS-2.—Consequent upon their transfers, the under mentioned Inspectors (BPS-16) have handed / taken-over charge of the post of at the station on the dates as shown against each:-

Ser.	F/No.	Name	Station with Date of Handing Over Charge	Station with Date of Taking over charge
1.	US-4072	Muhammad Ishaq	Islamabad 27-01-2020	ISL att: Gilgit 19-02-2020
2.	US-4192	Azeem	Quetta 20-01-2020	QTA att: DBN 28-01-2020

On expiry of above leave, she was expected to proceed on post confinement maternity leave.

MUHAMMAD GHAFAR, *Lt. Col.*
For Director General.

HEADQUARTERS, AIRPORTS SECURITY FORCE

Karachi, the 20th August, 2020

No. 51/1266/2012/FS-I.—Consequent upon his transfer, SF-1032 Assistant Director Mr. Muhammad Zeeshan Bukhari handed over charge of the post of Assistant Director at ASF Multan Airport on 6th July, 2020 and taken over charge of the same post at ASF Academy, Karachi (att. HQ ASF) on 20th July, 2020.

No. 51/1279/2012/FS-I.—Consequent upon his transfer, SF-1045 Assistant Director Mr. Ghulam Shabbir handed over charge of the post of Assistant Director at Multan Airport (att. R.Y. Khan Airport) on 6th July, 2020 and taken over charge of the same post at ASF Airguards Coy. Karachi (att. HQ ASF) on 20th July, 2020.

No. 51/1399/2017/FS-I.—Consequent upon his transfer, SF-1149 Assistant Director Mr. Muhammad Rafique Khan handed over charge of the post of Assistant Director at ASF Karachi Airport on 27th July, 2020 and taken over charge of the same post at ASF Peshawar Airport on 10th August, 2020.

No. 51/1511/2020/FS-I.—Consequent upon his transfer, SF-1241 Assistant Director Mr. Muhammad Sajjad Khan handed over charge of the post of Assistant Director at ASF Karachi Airport on 24th March, 2020 and taken over charge of the same post at ASF Islamabad Airport on 20th April, 2020.

Ser.	F/No.	Name	Station with Date of Handing Over Charge	Station with Date of Taking over charge
3.	US-4217	Azhar Iqbal	Islamabad 20-01-2020	Quetta 21-02-2020
4.	US-3741	Altaf Hussain	Karachi 03-02-2020	Islamabad 17-02-2020
5.	US-4244	Zulfiqar Ali Khan	Quetta 17-02-2020	Islamabad 10-03-2020
6.	US-3830	Mehboob Ahmad	Quetta 02-03-2020	Islamabad 16-03-2020
7.	US-3309	Tasadaq Aun Zaidi	Karachi 24-02-2020	Lahore 09-03-2020
8.	US-4485	Mazhar Hussain	Islamabad 09-03-2020	Faisalabad 17-03-2020
9.	US-3893	Syed Muhammad Jamil	Gawadar (FIU) 02-03-2020	Karachi 16-03-2020
10.	US-6655	Muhammad Asif	Karachi 20-04-2020	Islamabad (FIU) 04-05-2020
11.	US-3894	Muhammad Yaseen	Multan 02-03-2020	MLT att: SKR (FIU) 05-03-2020
12.	US-3432	Shoukat Ali	FSL att:SKT 02-03-2020	Faisalabad 10-03-2020
13.	US-3993	Muhammad Yameen	Sukkur 02-03-2020	KHI att: HQ ASF 10-03-2020
14.	US-4362	Waqar Hussain	Karachi 02-03-2020	Islamabad 16-03-2020
15.	US-3977	Muhammad Sharif	KHI att: TBT (FIU) 10-03-2020	Karachi (FIU) 24-03-2020
16.	US-3344	Javed Iqbal	Islamabad 18-05-2020	Faisalabad 28-05-2020
17.	US-3361	Muhammad Ashraf	Multan 21-04-2020	MLT att: DIK 30-04-2020
18.	US-4286	Javed Hussain	Karachi 15-06-2020	Peshawar 29-06-2020
19.	US-4371	M. Arif Hussain	Karachi 06-07-2020	Lahore 20-07-2020
20.	US-4449	Muhammad Saleem	Karachi 23-07-2020	Lahore 04-08-2020
21.	US-7558	M. Imtiaz Yousaf	A/G att: HQ ASF 19-06-2020	Lahore 10-07-2020
22.	US-4046	S. Iqtidar Ahmed	Quetta 03-08-2020	Karachi 17-08-2020

Ser.	F/No.	Name	Station with Date of Handing Over Charge	Station with Date of Taking over charge
23.	US-4459	Ghulam Murtaza	Karachi 20-07-2020	Islamabad 03-08-2020
24.	US-6441	Shadi Ullah	Karachi 20-07-2020	ISL att: North 03-08-2020
25.	US-6656	Tahir Mehmood	Lahore (Eqpt) 30-07-2020	Multan (Eqpt) 07-08-2020
26.	US-3298	Bashir Ahmad	PSH att: CHT 27-01-2020	Peshawar 04-02-2020
27.	US-3348	Sher Shah Afridi	Islamabad 24-03-2020	Peshawar 01-04-2020
28.	US-6661	Mohray Khan Shahid	Peshawar (FIU) 22-06-2020	Faisalabad 09-07-2020
29.	US-3889	Farzand Ali	Karachi 13-07-2020	Faisalabad 27-07-2020
30.	US-4494	Muhammad Riffat	ASF Academy 24-03-2020	ISL att: FSD 30-03-2020
31.	US-3541	Ulfat Rehman	ASF Academy 20-07-2020	ISL att: North 21-07-2020
32.	US-7526	Muhammad Ishaq Khan	Quetta 17-07-2020	ISL att: North 20-07-2020

Karachi, the 31st August, 2020

No. 51/1049/2004/FS-I.—Consequent upon his transfer, SF-846 Deputy Director Syed Azhar Husain Zaidi handed over charge of the post of Deputy Director at ASF Karachi Airport on 28th July, 2020 and taken over charge of the same post at ASF Islamabad (att. Sialkot Airport) on 10th August, 2020.

No. 51/707/92/FS-I.—On attaining the age of superannuation *i.e.* 60 years SF-546 Director Qudrat Ullah has retired from Government Service on 27th August, 2020 and relinquished charge of the post of Director at ASF Lahore Airport on 26th August, 2020 (A/N).

SHAFIQ UR REHMAN,
Deputy Director/ Force Secretary.

HEADQUARTERS, PAKISTAN COAST GUARDS

Karachi, the 21st August, 2020

No. DG(CG)/1164/7800/A.—PA-43279 Major Bilal Ali Virk, Armoured Corps has assumed the charge of Company Commander Pakistan Coast Guards with effect from 19th August, 2020. His services have been loaned to Ministry of Interior with effect from 8th June, 2020.

MUHAMMAD SOHAIL, Major
For Director General.

INTELLECTUAL PROPERTY ORGANISATION
OF PAKISTAN

Islamabad, the 26th August, 2020

No. 106/IPO-Pak/2005.—Mr. Munir Ahmed Tahir, Personal Assistant (BS-16/IPS-I), IPO-Regional Office, Lahore is hereby granted current charge of the vacant post of Assistant Director (BS-17/IPM-V), IPO-Regional Office, Lahore with effect from 19th August, 2020 for a period of three (03) months or till the appointment of regular incumbent, whichever is earlier.

The officer shall be entitled to draw 20% of basic pay subject to maximum of Rs.12,000/- (Rupees twelve thousand only) per month as additional charge allowance.

This issues with the approval of Chairman, IPO-Pakistan.

HUMAIRA SHAKIR,
Assistant Director (HR).

JINNAH POSTGRADUATE MEDICAL CENTRE

Karachi, the 24th August, 2020

No. PF.2.390/NI/Admn.1/JPMC.—Mst. Nazia D/o. Ishaq, Charge Nurse of this Centre has been granted maternity leave under para-13 (3) of Revised Leave Rules 1980 for 60 days with effect from 15th June, 2020 to 13th August, 2020, subject to title.

She has resumed her duty on 14th August, 2020.

Karachi, the 25th August, 2020

No. PF.2-237/UF/Admn.1/JPMC.—The unauthorized absence from duty in respect of Mst. Uzma Farha D/o. Martan, Charge Nurse of this Centre for 07 days with effect from 7th July, 2020 to 13th July, 2020 has been treated as EOL (without pay and allowances).

She has resumed her duty on 14th July, 2020.

No. PF.2-532/S/Admn.1/JPMC.—The unauthorized absence from duty in respect of Mst. Sahira D/o. Asghar Masood Akbar, Charge Nurse (BPS-16) of this Centre for 07 days with effect from 31st July, 2020 to 6th August, 2020 has been treated as EOL (without pay and allowances).

She has resumed her duty on 7th August, 2020.

No. PF.2-396/SS/Admn.1/JPMC.—The unauthorized absence from duty in respect of Mst. Sharel D/o. Sadiq Gill, Charge Nurse of this Centre for 05 days *i.e.* 1st July, 2020 and 22nd July, 2020 to 25th July, 2020 has been treated as EOL (without pay and allowances).

She has resumed her duty on 2nd July, 2020 to 26th July, 2020.

No. PF.2-80/HR/Admn.1/JPMC.—The unauthorized absence from duty in respect of Mst. Humaira Rasheed D/o. Abdul Rasheed Khan, Charge Nurse of this Centre for 04 days *i.e.* 2nd March, 2020 to 3rd July, 2020 and 9th July, 2020 to 10th July, 2020, has been treated as EOL (without pay and allowances).

She has resumed her duty on 4th July, 2020 and 11th July, 2020.

No. PF.1-490-TF/Admn.I/JPMC.—Dr. Tania Faheem, Medical Officer, of this Centre has been granted 94-days leave on full pay with effect from 27th April, 2020 to 29th July, 2020, subject to title (on medical grounds).

On the expiry of leave, she has resumed her duty on the same post and at the same place on 30th July, 2020.

No. PF.1-684-MA/Admn.I/JPMC.—Mr. Muhammad Adeel, Assistant Electronic Engineer of this Centre has been granted medical leave with effect from 27th July, 2020 to 9th August, 2020, subject to title.

On the expiry of leave, he has resumed his duty on the same post and at the same place on 10th August, 2020.

No. PF.2-334/MK/Admn.1/JPMC.—The unauthorized absence from duty in respect of Mst. Louis Malik, Charge Nurse of this Centre for 05 days with effect from 2nd July, 2020 and 3rd July, 2020, 14th July, 2020 and 21st July, 2020 and 23rd July, 2020 has been treated as EOL (without pay and allowances).

She has resumed her duty on 4th July, 2020, 15th July, 2020, 22nd July, 2020 and 24th July, 2020.

Karachi, the 26th August, 2020

No. PF.2-339/RJ/Admn.1/JPMC.—The unauthorized absence from duty in respect of Mst. Rukhsana Jabeen D/o. Nazeer Peter, Charge Nurse of this Centre for 04 days *i.e.* 6th July, 2020 and 13th July, 2020 to 15th July, 2020, has been treated as EOL (without pay and allowances).

She has resumed her duty on 7th July, 2020 and 16th July, 2020.

No. PF.2-191/SN/Admn.1/JPMC.—Mst. Sumita Naz D/o. Saleem Naz, Charge Nurse of this Centre has been granted LFP for 07 days with effect from 11th August, 2020 to 17th August, 2020, on medical grounds, subject to title.

She has resumed her duty on 18th August, 2020.

No. PF.2-333/AB/Admn.1/JPMC.—Mst. Amna Bibi D/o. Shah Muhammad, Charge Nurse of this Centre has been granted LFP for 16 days with effect from 28th July, 2020 to 12th August, 2020, subject to title.

She has resumed her duty on 13th August, 2020.

No. PF.2-460/R/Admn.1/JPMC.—The unauthorized absence from duty in respect of Mst. Rehana D/o. Abdul Hameed, Charge Nurse of this Centre has been granted EOL (without pay and allowances) for 04 days with effect from 8th July, 2020 to 11th July, 2020.

She has resumed her duty on 12th July, 2020.

Karachi, the 31st August, 2020

No. PF.2-364/SA/Admn.1/JPMC.—The unauthorized absence from duty in respect of Mst. Samina Astar D/o. Daleep Masih, Charge Nurse of this Centre for 09 days with effect from 21st July, 2020 to 29th July, 2020, has been treated as EOL (without pay and allowances).

She has resumed her duty on 30th July, 2020.

No. PF.2-75/SAAJ/Admn.1/JPMC.—Syed Abdul Ala Jafari, Charge Nurse of this Centre has been granted EOL (without pay and allowances) for 04 days *i.e.* 3rd July, 2020 to 4th July, 2020 and 28th July, 2020 to 29th July, 2020.

He has resumed his duty on 5th July, 2020 to 30th July, 2020.

No. PF.2-470/AI/Admn.1/JPMC.—The unauthorized absence from duty in respect of Mst. Adna Indrias D/o. Indrias Bhatti, Charge Nurse of this Centre for 04 days *i.e.* 8th July, 2020, 16th July, 2020 and 19th July, 2020 to 20th July, 2020, has been treated as EOL (without pay and allowances).

She has resumed her duty on 9th July, 2020, 17th July, 2020 and 21st July, 2020.

No. PF.2-343/ZG/Admn.1/JPMC.—The unauthorized absence from duty in respect of Mst. Zara Gul D/o. Muhammad Safdar Awan, Charge Nurse of this Centre has been granted EOL (without pay and allowances) for 05 days with effect from 23rd July, 2020 to 27th July, 2020.

She has resumed her duty on 28th July, 2020.

DR. SEEMIN JAMALI, *T/*
Executive Director.

MODEL CUSTOMS COLLECTORATE APPRAISEMENT
AND FACILITATION (EAST)

Karachi, the 31st August, 2020

No. PF.2(373)/2011-MCC/A&F(East).—In pursuance of the Federal Board of Revenue, Islamabad's Notification No.1657-C-I, dated 24th August, 2020, Mr. Abdul Qayyum, (BS-17), Officer of Custom Department, has relinquished the charge of the post of Principal Appraiser (BS-17), from

the MCC Appraisalment and Facilitation (East), Custom House, Karachi on promotion, with effect from 31st August, 2020.

MALEEKA JAFARI,
Assistant Collector.

MODEL CUSTOMS COLLECTORATE OF
ENFORCEMENT & COMPLIANCE

Karachi, the 31st August, 2020

No. 14/2020-Estt(E&C).—In pursuance of Board's Notification No.1657-C-I/2020, dated 24th August, 2020, Mr. Farhat H. Khan has assumed the charge of Deputy Collector OPS (BS-17), Model Customs Collectorate (Enforcement & Compliance), Custom House, Karachi with effect from 26th August, 2020.

No. 15/2020-Estt(E&C).—In pursuance of Board's Notification No.1657-C-I/2020, dated 24th August, 2020, Mr. Shafiullah has assumed the charge of Assistant Collector (BS-17), Model Customs Collectorate (Enforcement & Compliance), Custom House, Karachi with effect from 26th August, 2020.

NAYAB AZHAR,
Assistant Collector Establishment.

NATIONAL COUNCIL OF SOCIAL WELFARE

Islamabad, the 21st August, 2020

No. 1-14/2003-NCSW(Admn).—Mr. Muhammad Saleemullah, Deputy Director (BS-17), in the National Council of Social Welfare, is further allowed 11 days leave on full pay (on medical grounds) with effect from 28th July, 2020 to 7th August, 2020 by the Chairman, National Council of Social Welfare, under the prescribed Revised Leave Rules, 1980, subject to the title of leave by the office of the AGPR, Islamabad.

After expiry of the said leave, the officer has resumed his duties on 10th August, 2020, the same post and station as declared medically fit for duty.

MUHAMMAD SAJID HAMEED,
Secretary/ Director.

Islamabad, the 18th August, 2020

No. 1-6/2016-NCSW(Admn).—Mrs. Shazia Munawar, Research Officer (BS-17), in the National Council of Social Welfare, is allowed 19 days leave on full pay with effect from 20th July, 2020 to 7th August, 2020 by the Chairman, National Council of Social Welfare, under the prescribed

Revised Leave Rules, 1980, subject to the title of leave by the office of the AGPR, Islamabad.

After expiry of the said leave, the officer has resumed her duties on the same post and station.

S. M. NOMAN WAKIL,
Superintendent (Admin).

NATIONAL INSTITUTE OF REHABILITATION MEDICINE

Islamabad, the 21st August, 2020

No. F.43(VK)/PC.—Mr. Vinot Kumar Physiotherapist (BS-17) of this Institute is hereby granted 10 days leave with full pay from 20th August, 2020 to 29th August, 2020.

After expiry of leave he is expected to join his duties on the same post and station.

Islamabad, the 26th August, 2020

No. F.3-125/2019-NIRM.—Dr. Sumbleen Medical Officer (BS-17) of this Institute is hereby granted 24 days leave with full pay from 1st September, 2020 to 24th September, 2020.

After expiry of leave she is expected to her duties on the same post and station.

M. B. TAHIR,
Assistant Director (A).

NATIONAL VOCATIONAL AND TECHNICAL
TRAINING COMMISSION

Islamabad, the 31st August, 2020

No. F.1-294/2015-Admn/324.—Ms. Sadaf Zahra, a BS-18 Officer of Information Group presently posted as Deputy Director (Media) in NAVTTC HQs, Islamabad on deputation basis is hereby relieved from NAVTTC with effect from 31st August, 2020 to join her parent department *i.e.* Ministry of Information, Broadcasting and National Heritage, Islamabad on completion of her deputation period.

This issues with the approval of Executive Director, NAVTTC.

No. F.1-312/2016-Admn/327.—In pursuance of NAVTTC HQs' Notification No.F.1-312/2016-Admn-278 dated 5th August, 2020 Mr. Abrar Ahmed, Software Engineer (BS-18), an employee of University Gujrat and posted in NAVTTC on deputation basis has relinquished the charge of Deputy Director (BS-18) in NAVTTC HQs, on 31st August, 2020 to join his parent department.

No. F.1-351/2018-Admn/326.—In pursuance of NAVTTC HQs' Notification No.F.1-351/2018-Admn dated 13th August, 2020 Mr. Amir Ali Khan, Assistant Accounts

Officer/36081 (BS-17), an employee of Military Accountant General, Rawalpindi and posted in NAVTTC on deputation basis, has relinquished the charge of Assistant Director (BS-17) in NAVTTC HQs, on 31st August, 2020 to join his parent department.

S. M. YAQOOB GHARSHIN,
Deputy Director (HRM).

Islamabad, the 25th August, 2020

No. F.1-235/2013-Admn/320.—In pursuance of NAVTTC's Letter No.3-48/2019-Admn/02 dated 12th March, 2020 and Sindh Technical Education & Vocational Training Authority (STEVTA), Karachi's Notification No.STEVTA/HQ/T&P/2020/247 dated 21st August, 2020 Mr. Abdul Hafeez Abbasi, a BS-18 Officer of STEVTA has assumed charge in NAVTTC HQs, with effect from 24th August, 2020 under wedlock policy on standard terms and conditions of deputation.

MUHAMMAD NADEEM,
Assistant Director (Admn-I).

OFFICE OF THE CHIEF COMMISSIONER
INLAND REVENUE

[LARGE TAXPAYERS UNIT]

Karachi, the 17th August, 2020

No. Admn/HRM/PF-02/CIR/2020-21/478.—Ms. Asma Aftab, Commissioner IR, Audit-I, Large Taxpayers Unit, Karachi, is granted 20 days earned leave with full pay on medical grounds, from 11th August, 2020 to 30th August, 2020 (both days inclusive).

ABDUL QADEER ABBASI,
Additional Commissioner (Hqrs.).

[REGIONAL TAX OFFICE-III]

Karachi, the 18th August, 2020

No. SO-VI/CCIR/RTO-III/Khi/2020-21/980.—In continuation of this office Jurisdiction Order *vide* No.4596 dated 23rd January, 2020 and in exercise of the powers conferred by Section 209 of the Income Tax Ordinance, 2001, Section 30 & 31 of the Sales Tax Act, 1990 and Federal Excise Act, 2005 including powers for all the matters relating to Income Tax, Sales Tax & FED Affairs, I hereby assign the Red Alert Case namely

M/s. Hico Manufacturer having STRN 1700383638314 is pleased to assign/ transfer the jurisdiction from Zone-II, RTO-III, Karachi to Zone-I, RTO-III, Karachi with immediate effect:-

This order shall take effect immediately till further order.

DR. AMIR TALPUR,
Chief Commissioner.

OFFICE OF THE CHIEF ENGINEERING ADVISER
CHAIRMAN FEDERAL FLOOD COMMISSION

Islamabad, the 18th August, 2020

No. F.7(156)/07-Admn.—Mr. Hanif Chachar (BPS-18) (Personnel No.50097500) of this office is granted 05 days LFP with effect from 3rd August, 2020 to 7th August, 2020.

After expiry of the above leave he has resumed the charge of the same post at the same station on 10th August, 2020 (8th & 9th August, 2020 being closed holidays).

No. F.8(162)/07-Admn.—Mr. Muhammad Amin, APS (Personal No.50092452) is granted 10 days leave on full pay with effect from 3rd August, 2020 to 12th August, 2020.

After expiry of the above leave he has resumed his duty on the same post at the same station on 13th August, 2020.

MUHAMMAD MUNIR,
Deputy Director (A&A).

OFFICE OF THE INSPECTOR GENERAL, FRONTIER
CORPS BALOCHISTAN

Turbat, the 24th August, 2020

No. 132-37/Cfm/57/SE-2-CONFIRMATION.—On completion of one year probationary period, following Junior Commissioned Officers of Frontier Corps Balochistan (South) are hereby confirmed in their present rank with effect from the date noted against each:-

TO BE CONFIRMED AS SUBEDAR MAJOR

1. Number 4957 Subedar Major (General Duty) Khan Bad Shah, Pathan of Mekran Scouts with effect from 1st April, 2020.

TO BE CONFIRMED AS SUBEDAR

2. Number 5404 Subedar (General Duty) Waris Khan, Punjabi of Kharan Rifles with effect from 1st August, 2019.

TO BE CONFIRMED AS NAIB SUBEDAR

3. Number 9533 Naib Subedar (General Duty) Muhammad Shafique, Punjabi of Dalbandin Rifles with effect from 19th December, 2018.

Turbat, the 27th August, 2020

No. 132-37/Prom/43/SE-2-PROMOTION.—Following promotion were ordered in Frontier Corps Balochistan (South), Turbat with effect from the date noted against each:-

TO BE SUBEDAR ON PROBATION FOR ONE YEAR

1. Number 11853 Naib Subedar (General Duty) Zafar Iqbal, Baloch of 105 Wing Taftan Rifles with effect from 8th January, 2020 *vice* No.4808 Subedar Muhammad Rashid proceeded on retirement with effect from 7th January, 2020.
2. Number 29604 Naib Subedar (General Duty) Amjad Masood, Pathan of 132 Wing Kalat Scouts with effect from 6th July, 2020 *vice* No.11831 Subedar Raees Khan proceeded on retirement with effect from 5th July, 2020.
3. Number 31624 Naib Subedar (General Duty) Asif Khan, Pathan of 132 Wing Kalat Scouts with effect from 7th July, 2020 *vice* No.5027 Subedar Aziz Ullah proceeded on retirement with effect from 6th July, 2020.
4. Number 9089 Naib Subedar (General Duty) Janat Gul, Pathan of 125 Wing Dasht Scouts with effect from 9th September, 2019 *vice* No.11721 Subedar Iqar Ullah promoted as Subedar Major on an existing vacancy of 165 Wing Mekran Scouts.
5. Number 5374 Naib Subedar (General Duty) Asghar Shah, Pathan of Headquarter Wing Mekran Scouts with effect from 15th May, 2020 *vice* No.5447 Subedar Farid Ullah proceeded on retirement from the same date.
6. Number 12249 Naib Subedar (Signal) Meraj ud Din, Pathan of 106 Wing Mekran Scouts with effect from 17th January, 2020 (on passing of Advance Leadership Course) *vice* No.11971 Subedar Habib ur Rehman placed on extra regimental employment duty with Headquarter Frontier Corps (South) Signal Company with effect from 23rd January, 2019.
7. Number 12367 Naib Subedar (Signal) Said Ahmed, Punjabi of Headquarter Wing Panjgur Rifles with effect from 12th May, 2020 (on completion of two years rank service) on an existing vacancy of 137 Wing.
8. Number 12808 Naib Subedar (Signal) Farman Akhtar, Punjabi of 56 Wing Dalbandin Rifles with effect from 1st August, 2019 (on earning of positive ACR for the year 2019) on an existing vacancy.

No. 132-37/Cfm/58/SE-2-CONFIRMATION.—On completion of one year probationary period, following Junior Commissioned Officers of Frontier Corps Balochistan (South) are hereby confirmed in their present rank with effect from the date noted against each:-

TO BE CONFIRMED AS NAIB SUBEDAR

1. Number 5438 Naib Subedar (General Duty) Naimat Ullah, Punjabi of Dasht Scouts with effect from 2nd June, 2018.
2. Number 1018 Naib Subedar (Vehicle Mechanic) Alamgir, Punjabi of Dasht Scouts with effect from 12th June, 2018.

AAMIR ZAFAR, *Lt. Col.*
For Inspector General.

OFFICE OF THE INSPECTOR GENERAL, FRONTIER
CORPS KHYBER PAKHTUNKHWA

Peshawar, the 26th August, 2020

No. 25/Prom/33/RW.—On completion of probationary period of six months, under mentioned Junior Commissioned Officers are confirmed in their present rank from the date as noted against each:-

1. Number 505028 Naib Subedar Muhammad Afzal of Dir Scouts with effect from 30th September, 2019.
2. Number 404331 Subedar Mir Azam Khan of Chitral Scouts with effect from 30th June, 2019.
3. Number 404352 Subedar Hidayat Shah of Chitral Scouts with effect from 30th June, 2019.
4. Number 404277 Subedar Noor Muhammad Shah of Chitral Scouts with effect from 31st December, 2018.
5. Number 404305 Subedar Bulbul Ahmad of Chitral Scouts with effect from 25th January, 2019.
6. Number 404330 Subedar Afsar Khan of Chitral Scouts with effect from 30th June, 2019.
7. Number 404346 Subedar Javeed Ahmad of Chitral Scouts with effect from 30th June, 2019.
8. Number 404369 Subedar Samad Khan of Chitral Scouts with effect from 30th June, 2019.
9. Number 404683 Naib Subedar Anwar Saadat of Chitral Scouts with effect from 19th December, 2018.

10. Number 404943 Naib Subedar Qurban Ali Shah of Chitral Scouts with effect from 7th May, 2019.
11. Number 404941 Naib Subedar Abdul Nasir of Chitral Scouts with effect from 11th September, 2019.
12. Number 80467 Subedar (VM) Bait ul Islam (Electrical Mechanical Engineer) of Headquarters Frontier Corps (North) Khyber Pakhtunkhwa with effect from 30th May, 2020.
13. Number 80476 Subedar (Armr) Rad Ali (Electrical Mechanical Engineer) of Headquarters Frontier Corps (North) Khyber Pakhtunkhwa with effect from 14th May, 2020.
14. Number 80516 Naib Subedar (Ancy) Aziz Ullah (Electrical Mechanical Engineer) of Headquarters Frontier Corps (North) Khyber Pakhtunkhwa with effect from 29th June, 2020.
15. Number 80558 Naib Subedar (VM) Muhammad Zahid Khan (Electrical Mechanical Engineer) of Headquarters Frontier Corps (North) Khyber Pakhtunkhwa with effect from 30th May, 2020.

Peshawar, the 31st August, 2020

No. 25/Prom/33/RW.—On completion of probationary period of six months, under mentioned Junior Commissioned Officers are confirmed in their present rank from the date as noted against each:-

1. Number 1102154 Subedar Major Muhammad Taseer of Mohmand Rifles with effect from 30th November, 2019.
2. Number 1200110 Subedar Haji Rehman of Mohmand Rifles with effect from 30th November, 2019.
3. Number 1102616 Subedar Adil Muhammad of Mohmand Rifles with effect from 23rd February, 2018.
4. Number 1103155 Naib Subedar Munsif Ali of Mohmand Rifles with effect from 30th September, 2019.
5. Number 204507 Naib Subedar Mir Zaman of Mohmand Rifles with effect from 6th September, 2019.
6. Number 504178 Naib Subedar Shafi Haider of Mohmand Rifles with effect from 1st July, 2019.

No. 25/Prom/33/RW.—On completion of probationary period of six months, under mentioned Junior Commissioned Officers are confirmed in their present rank from the date as noted against each:-

1. Number 50187 Subedar Major Syed Asghar Shah of Bara Rifles with effect from 30th June, 2020.
2. Number 404459 Subedar Sartaj Wali Khan of Bara Rifles with effect from 30th June, 2020.
3. Number 404489 Subedar Sultan Ullah Khan of Bara Rifles with effect from 31st July, 2020.
4. Number 803043 Naib Subedar Rahim Said of Bara Rifles with effect from 8th May, 2019.
5. Number 105892 Naib Subedar Imran Khan of Bara Rifles with effect from 24th September, 2019.
6. Number 405076 Naib Subedar Muhammad Nasir Ullah of Bara Rifles with effect from 24th September, 2019.
7. Number 105058 Naib Subedar Muhammad Jan of Bara Rifles with effect from 24th September, 2019.
8. Number 104969 Naib Subedar Umar Daraz of Bara Rifles with effect from 8th May, 2019.
9. Number 302837 Subedar Sakhi Mar Jan of Bara Rifles with effect from 31st July, 2020.
10. Number 1001812 Subedar Syed Zamin Ali Shah of Bara Rifles with effect from 31st July, 2020.
11. Number 104139 Naib Subedar Ibrar Hussain of Bara Rifles with effect from 31st July, 2020.
12. Number 302993 Subedar Sadeeq Ullah of Bara Rifles (Special Operation Group) with effect from 11th April, 2019.

MUHAMMAD IMRAN, *Lt. Col.*
Officer Incharge Records.

Dera Ismail Khan, the 23rd July, 2020

No. 31/1/Cfm/X/RW.—On completion of probationary period of six months, the under mentioned Junior Commissioned Officers are confirmed in their present rank from the date as noted against each:-

1. Number 1001692 Subedar Fida Hussain, Turi of Shawal Rifles with effect from 1st November, 2019.

2. Number 104294 Naib Subedar Umar Saeed, Ranizai of Shawal Rifles with effect from 15th April, 2020.
3. Number 602864 Naib Subedar Aman Ullah, Ranizai (Mortar Establishment) of Shawal Rifles with effect from 5th June, 2020.
4. Number 504927 Naib Subedar Ajab Khan, Marwat of Shawal Rifles with effect from 17th December, 2019.
5. Number 505925 Naib Subedar Ajmaeen Khan, Mulagori of Shawal Rifles with effect from 17th December, 2019.
6. Number 503470 Subedar Abdul Wahid Wazir, of Shawal Rifles with effect from 1st November, 2019.
7. Number 1001864 Naib Subedar Mohsin Ali, Orazkzai of Shawal Rifles with effect from 8th February, 2019.
8. Number 703059 Naib Subedar Muhammad Karim, Shelmani of Shawal Rifles with effect from 23rd May, 2019.
9. Number 1001990 Naib Subedar Asghar Khan, Bhittani of Shawal Rifles with effect from 23rd May, 2019.
10. Number 304009 Naib Subedar Muhammad Luqman, Bangash of Shawal Rifles with effect from 14th November, 2018.
11. Number 405399 Naib Subedar Agha Shahi, Chitraili of Shawal Rifles with effect from 2nd March, 2020.
12. Number 80504 Naib Subedar Muhammad Suleman, Khattak (Electrical Mechanical Engineering Establishment) of Shawal Rifles with effect from 1st July, 2020.
13. Number 104616 Naib Subedar Javed Hussain, Ranizai (Mortar Establishment) of Shawal Rifles with effect from 5th June, 2020.
14. Number 1001630 Subedar Niaz Gul, Mohmand (Signal Establishment) of Shawal Rifles with effect from 22nd March, 2020.
15. Number 1200008 Subedar Abdus Samad, Yousafzai of Khattak Scouts with effect from 2nd September, 2019.
16. Number 1200155 Subedar Bakht Taj, Yousafzai of Khattak Scouts with effect from 3rd January, 2020.

17. Number 1200667 Naib Subedar Mujahid, Yousafzai of Khattak Scouts with effect from 13th May, 2019.

SOHAIL SABIR, *Lt. Col.*
For Inspector General.

PAKISTAN BUREAU OF STATISTICS

Islamabad, the 27th August, 2020

No. PBS.HQ.FA.P(109)/2010-846.—Having exercised the option for voluntarily retirement and encashment of his leave preparatory to retirement in terms of Rule 18-A of the Revised Leave Rules, 1980, amended *vide* Finance Division's S.R.O.70(KE)/2012 dated 29th August, 2012 and with the approval of Member (RM), Mr. Naeem-ur-Rehman, Statistical Officer (BS-17) PBS, F/O, Vehari is granted encashment of LPR of 365 days, in lieu of 365 days leave with effect from 2nd September, 2019 to 31st August, 2020.

No. PBS.HQ.FA.P(109)/2010-846.—Having exercised the option for voluntary retirement and with the approval of Member (RM), Mr. Naeem-ur-Rehman, Statistical Officer (BS-17) PBS, F/O, Vehari shall stand retired from Government Service on 31st August, 2020.

Mr. Naeem-ur-Rehman, Statistical Officer (BS-17) PBS, F/O, Vehari has completed more than 35 years qualifying service. His date of entry into Government Service is 12th March, 1985.

SAFIA BEGUM,
Statistical Officer (Admn-III).

Islamabad, the 27th August, 2020

No. PBS.IBD.P-4(234)/2010-136.—On expiry of the leave granted to her *vide* notification of even number dated 24th July, 2020, Mrs. Sana Habib Chaudhry, Statistical Officer (BS-17) (Personnel No.50141353), PBS, Islamabad has assumed the charge of the same post at same station on 24th August, 2020.

SADIA CHAUDHRY,
Assistant Director (Admn).

PAKISTAN INSTITUTE OF MEDICAL SCIENCES

Islamabad, the 6th August, 2020

No. F.1-14/2019/AA(Admin)IH.—Dr. Rubina Ahmed, Medical Officer (BPS-17) has been granted 12 days leave with full pay with effect from 23rd June, 2020 to 4th July, 2020 on medical grounds.

This issues with the approval of Executive Director.

Islamabad, the 12th August, 2020

No. F.1-14/2019/MO(Admin)IH.—In pursuance of Ministry of NHS R&C Letter No.F.1-923/2020-E-III dated 1st July, 2020. The resignation of Dr. Beenish Suhail, Medical Officer (BS-17) has been accepted by the competent authority *i.e.* Secretary Ministry of NHS R&C with effect from 21st March, 2020. She is hereby struck off from the strength of PIMS with effect from 21st March, 2020. She is hereby directed to submit charge relinquishment report and No Demand Certificate. She will be paid dues, if any on submission of No Demand Certificate.

This issues with the approval of Executive Director.

Islamabad, the 13th August, 2020

No. PF.0015-R/AD/PIMS.—In continuation to this office notification of even number dated 22nd July, 2020. The medical leave in respect of Dr. Mutahir Shah, Assistant Director/ Vice Principal CMT (BS-18) has been extended with effect from 8th July, 2020 to 7th August, 2020.

This issues with the approval of Executive Director.

No. PF.0069-R/AP/Admin-PIMS.—Dr. Liaquat Ali, Assistant Professor General Medicine (BPS-18) has been granted 25 days leave with full pay with effect from 17th August, 2020 to 10th September, 2020.

This issues with the approval of Executive Director.

DR. M. IQBAL KHAN DURRANI,
Deputy Executive Director.

[MOTHER & CHILD HEALTH CENTRE]

Islamabad, the 3rd August, 2020

No. PF.7-78(WA)MCH/Admin.—Ms. Waheeda Akhtar, Charge Nurse of MCH Centre remained absent from duty with effect from 15th June, 2020 to 30th June, 2020 (16 days) without any information/ prior permission. However, taking a lenient view her absence period *i.e.* 16 days is hereby treated as leave without pay and warned to be careful in future.

No. PF.7-59(MM)MCH/Admin.—Ms. Memoona Malik, Charge Nurse of MCH, Centre is hereby granted 15 days leave with full pay with effect from 16th July, 2020 to 31st July, 2020. She will resume her duty on 1st August, 2020 on the same place.

Islamabad, the 8th August, 2020

No. PF.10-1127/R/A-C/IH.—Ms. Rubina Anjum, Charge Nurse of I.H presently working in MCH Centre remained absent from duty with effect from 20th June, 2020 to 21st June, 2020 to (2 days) without any information/ prior

permission. However, taking a lenient view her absence period *i.e.* 2 days with effect from 20th June, 2020 to 21st June, 2020 is hereby treated as leave without pay and warned to be careful in future.

Islamabad, the 12th August, 2020

No. PF.7-46(SK)MCH/Admin.—Ms. Shabana Kousar, Charge Nurse of MCH, Centre is hereby granted 09 days leave with full pay with effect from 2nd August, 2020 to 10th August, 2020. She will resume her duty on 11th August, 2020 on the same place.

No. PF.7-14(SB)MCH/Admin.—Ms. Shahnaz Bivi, Charge Nurse of MCH, Centre is hereby granted 17 days leave with full pay with effect from 22nd June, 2020 to 8th July, 2020 on medical grounds.

No. PF.4-7(ZM)MCH/Admin.—Dr. Zara Mehmood, Medical Officer of MCH, Centre is hereby granted 14 days leave with full pay with effect from 8th June, 2020 to 21st June, 2020.

No. P.1-1(Gen)Admin/MCH.—Ms. Razia Sultana, Charge Nurse of MCH Centre is hereby granted 02 days leave with full pay with effect from 4th August, 2020 to 5th August, 2020 on medical grounds.

Islamabad, the 20th August, 2020

No. PF.7-75(JM)Admin/MCH.—Ms. Julie Marshal, Charge Nurse of MCH Centre is hereby granted 07 days leave with full pay with effect from 4th August, 2020 to 10th August, 2020 on medical grounds.

DR. NASREEN BUTT,
Dy. Director, MCH.

PAKISTAN METEOROLOGICAL DEPARTMENT

Islamabad, the 26th August, 2020

No. E-16(747)/2188.—On completion of deputation in Civil Aviation Authority, HQs Karachi with effect from 18th May, 2015 to 18th June, 2020 Mr. Jan Muhammad Machhi, Meteorologist (BS-17) repatriated from Civil Aviation Authority Karachi on 19th June, 2020.

He joined at Met Office, Karachi Airport on 19th June, 2020.

ABDUL BASIT,
Administrative Officer (Estb.).

Islamabad, the 26th August, 2020

No. E-16(591)/2196.—Mr. Tahir Hassan Sheikh, Meteorologist (BS-17), Flood Forecasting Division, Lahore has been granted 9 days leave on full pay from 8th July, 2020 to 16th July, 2020, subject to admissibility.

On expiry of leave, Mr. Tahir Hassan Sheikh, Meteorologist (BS-17), resumed duty at the same station on 17th July, 2020.

MUHAMMAD SHOAB,
Administrative Officer (Estb.).

PAKISTAN POST

[DIRECTORATE GENERAL PAKISTAN POST]

Islamabad, the 20th August, 2020

No. CP.3-1/2016.—On the recommendations of Departmental Promotion Committee formulated in its meeting held on 20th August, 2020 and with the approval of the competent authority, the following Assistant Private Secretaries (BS-16) are promoted to the post of Private Secretary (BS-17) in the Directorate General, Pakistan Post, Islamabad on regular basis with effect from the date they actually assume the charge:-

S. No.	Name of Officials	Remarks
1	Mr. Rafi-ud-Din	Promoted as Private Secretary (BS-17) on regular basis.
2	Mr. Muhammad Akbar	Promoted as Private Secretary (BS-17) on regular basis.
3	Mr. Abdul Hakeem	Promoted as Private Secretary (BS-17) on regular basis.

2. The above named officers will be on probation for a period one (01) year. This period may be further extended by another one year, if considered necessary by the competent authority in terms of Rule 21 (1) (2) and (4) of the Civil Servants (Appointment, Promotion and Transfer Rules 1973).

AHMAD ARBAB ABID,
Assistant Dy. Director General (HR).

PAKISTAN PUBLIC WORKS DEPARTMENT

Islamabad, the 25th August, 2020

No. AI-717/700(2151).—Pursuant to Ministry of Housing & Works Notification No.F.3(2)/2020-Admn-III, dated 30th July, 2020 and this office, office Order No.AI-717/7700(1400)/Promotion/TP-2020, dated 3rd August, 2020, Mr. Ghulam Nabi, Sub-Engineer (Civil) on his promotion & posting assumed charge of the post of Assistant Executive Engineer (Civil) Project Civil Division-III, Pak. PWD, Islamabad on 3rd August, 2020.

He has been placed on probation for a period of one year extendable by further period not exceeding one year in accordance with the Section 6 (2) of the Civil Servants Act-1973.

No. AI-717/700(2154).—Pursuant to Ministry of Housing & Works Notification No.F.3(2)/2020-Admn-III, dated 30th July, 2020 and this office, office Order No.AI-717/7700(1400)/Promotion/TP-2020, dated 3rd August, 2020, Mr. Sabir Khan, Sub-Engineer (E/M) on his promotion & posting assumed charge of the post of Assistant Executive Engineer (E/M) Central E/M Division-II, Pak. PWD, Islamabad on 3rd August, 2020.

He has been placed on probation for a period of one year extendable by further period not exceeding one year in accordance with the Section 6 (2) of the Civil Servants Act-1973.

Islamabad, the 26th August, 2020

No. AI-717/700(1680).—Pursuant to Ministry of Housing & Works Notification No.F.3(2)/2020-Admn-III, dated 30th July, 2020 and this office, office Order No.AI-717/700(1400)/TP-XV, dated 5th August, 2020, on his promotion and posting Mr. Muhammad Saleem Lehri assumed charge to the post of Executive, Engineer Central E/M Division, Pak. PWD, Quetta on 5th August, 2020.

He has been placed on probation for a period of one year extendable by further period not exceeding by one year in accordance with the provisions of Section 6 (2) of the Civil Servants Act-1973.

No. AI-717/700(1252).—Pursuant to this office, office order of even number dated 18th August, 2020, Mr. Muhammad Rashid assumed charge to the post of Chief Engineer (C.Z), Pak. PWD, Lahore on 18th August, 2020 on current charge basis.

Islamabad, the 27th August, 2020

No. AI-717/700(2150).—Pursuant to Ministry of Housing & Works Notification No.F.3(2)/2020-Admn-III, dated 30th July, 2020 and this office, office Order No.AI-717/7700(1400)/Promotion/TP-2020, dated 3rd August, 2020, Malik Touqeer Hussain, Sub-Engineer (Civil) on his promotion and posting assumed charge of the post of Assistant Executive Engineer (Civil) Central Civil Division, Pak. PWD, D.I Khan on 4th August, 2020.

He has been placed on probation for a period of one year extendable by further period not exceeding one year in accordance with the Section 6 (2) of the Civil Servants Act-1973.

No. AI-717/700(2141).—Pursuant to Ministry of Housing & Works Notification No.F.3(2)/2020-Admn-III, dated 30th July, 2020 and this office, office Order No.AI-717/7700(1400)/Promotion/TP-2020, dated 3rd August, 2020, Mr. Nisar Ahmed, Sub-Engineer (Civil) on

his promotion and posting assumed charge of the post of Assistant Executive Engineer (Civil) Central Civil Division, Pak. PWD, D.I Khan on 4th August, 2020.

He has been placed on probation for a period of one year extendable by further period not exceeding one year in accordance with the Section 6 (2) of the Civil Servants Act-1973.

M. B. KHATTAK,
Chief Administrative Officer.

STAFF WELFARE ORGANIZATION

Islamabad, the 24th August, 2020

No. SWD-8(4)/2016/Admn/3730-39.—The competent authority *i.e.* Director General, Staff Welfare Organization, Islamabad has been pleased to allow Mr. Muhammad Adnan Chishti, Staff Welfare Officer (BS-17), Staff Welfare Organization, G-7, Islamabad to hold the current charge of the post of Chief Welfare Officer (BS-18), Staff Welfare Organization, G-7, Islamabad for a period of three months (90-days) with immediate effect or till the availability of actual incumbent of the post whichever is earlier.

He, in addition to his own pay, will be allowed, special pay equal to 20% of his basic pay subject to maximum of Rs.12,000/- per month in terms of Finance Division's O.M No.F.1(2)/Imp/2016-333, dated 1st July, 2016.

SABBAH MUSOOD,
Assistant Director (Admn).

TRADE DEVELOPMENT AUTHORITY OF PAKISTAN

Karachi, the 31st August, 2020

No. TDAP-P(2266)/Estt-2012.—In pursuance of Ministry of Commerce's Notification No.15(23)/2010-Admin-III(CTG) dated 11th August, 2020, Mr. Qadeer Ahmed Bhutto, a BS-18 Officer of Commerce and Trade Group/Deputy Director, TDAP, Karachi has relinquished the charge of the post of Deputy Director (BS-18) at TDAP, Karachi on 12th August, 2020.

No. TDAP-P(2358)/Estt-2019.—The Secretary, Trade Development Authority of Pakistan has been pleased to grant twelve (12) days earned leave on full pay with effect from 31st August, 2020 to 11th September, 2020 to Mr. Athar Hussain Khokhar, Director (MS), TDAP, Karachi.

After expiry of the leave, the officer is likely to assume his duties on the same post and station.

ALTAF HUSSAIN,
Assistant Director (Estt-I).



PUBLISHED BY AUTHORITY

KARACHI, WEDNESDAY, OCTOBER 28, 2020

PART IV

Notifications issued by the minor administrations and miscellaneous notifications not included in any other part

PRIME MINISTER'S OFFICE

(National Security Division)

Islamabad, the 2nd October, 2020

Members :

12. Chairman Board of Investment
13. SAPM on National Health Services, Regulation and Coordination.
14. SAPM on Overseas Pakistanis and HRD.
15. SAPM on National Security and Strategic Policy Planning.

Secretary :

16. Secretary, National Security Division.

NOTE : Other Federal and Provincial Government Organizations may be called in as and when required.

TORs of the EOAC :

- i) To act as the principal oversight mechanism for the Economic Outreach Initiative (EOI) involving all relevant Federal and Provincial Ministries/ Institutions.
- ii) To oversee and review progress of the EOI.
- iii) To form the Economic Outreach Coordination Group ("EOCG") and define the EOCG's objectives and operational structure to enable it to implement the EOAC's decisions.
- iv) To approve the overarching EOI strategy and action plan based on recommendations by the EOCG.
- v) To vet and approve/further recommend to the competent authority any regulatory or legal changes proposed by the EOCG.

No. NSD.2-6/2020-P-I.—The Prime Minister has been pleased to establish the Economic Outreach Apex Committee (EOAC) and Economic Outreach Coordination Group (EOCG) to streamline, facilitate and better coordinate the Government's efforts towards Economic Outreach and Economic Diplomacy with the following composition and ToRs :

A. Composition of the Economic Outreach Apex Committee (EOAC)

Chairperson:

1. Prime Minister

Members :

2. Minister of Foreign Affairs
3. Minister of Industries and Production.
4. Minister of Information and Broadcasting.
5. Minister of Information Technology.
6. Minister of National Food Security and Research.
7. Minister of Science and Technology.
8. Prime Minister of Azad Jammu & Kashmir
9. Chief Ministers of the Provinces
10. Adviser on Finance and Revenue
11. Adviser on Commerce and Investment

- vi) To examine and approve demands by individual Ministries/Institutions for their strengthening/restructuring in line with the EOI's goals and objectives.

B. Composition of the Economic Outreach Coordination Group (EOCG)

Convener :

1. SAPM on NSD & SPP

Members :

2. Chairman FBR (or representative not below BPS-21).
3. Secretaries of all Federal Ministries/Divisions represented in the EOAC (or representative not below BPS-21).
4. Provincial Chief Secretaries and Chief Secretary AJ&K and GB (or representative not below BPS-21).
5. Representative of Prime Minister's Office.

Secretary :

6. Secretary, National Security Division.

NOTE : Other Federal and Provincial Government Organizations may be called in as and when required.

TORs of the EOCG:

- i) To coordinate among all relevant Federal and Provincial institutions engaged in the EOI to ensure implementation of EOAC decisions.
ii) To produce an action plan with clear timelines to achieve EOI Objectives and put it up for EOAC's approval.
iii) To produce a comprehensive mapping of international demand for Pakistan's economic outreach at the regional, sub-regional, and country level.
iv) To identify domestic and international actions/support needed to improve Pakistan's comparative advantage in as many sub-regions/countries as possible.
v) To identify relevant human and material resources (and/or the need for their re-allocation) required for the success of the EOI.
vi) To identify short, medium, and long-term training needs for stakeholders involved in the EOI.

- vii) To establish Key Performance Indicators (KPIs) that reflect performance appraisal criteria in line with EOI goals and objectives.

- viii) To identify any changes in the regulatory or legal framework required to make the EOI a success.

- ix) To update the EOAC on the progress and any bottlenecks at each EOAC meeting.

- x) Any other tasks as assigned by the Prime Minister.

2. The Convener of EOCG may co-opt any other person(s) from the public/private sector, and/or create an advisory group comprising of private sector stakeholders if deemed necessary for the task.

3. The National Security Division will act as the Secretariat of the EOAC and EOCG and work in close coordination with the Prime Minister's Office. The Strategic Policy Planning Cell, National Security Division will provide necessary research and analytical support.

ISHTIAK AHMED AKIL,
Joint Secretary.

ISLAMABAD CAPITAL TERRITORY, CO-OPERATIVES
DEPARTMENT

Islamabad, the 5th October, 2020

No. 3890/CR/ICT/B.—In supersession of this office Notification No. 3578/CR/ICT/B, dated 21st September, 2020, the Assistant Commissioner (Secretariat), ICT, Islamabad is hereby appointed as Administrator of the Services Cooperative Housing Society, Islamabad in place of Mr. Abdul Hadi Magistrate ICT Islamabad for a period of 60 days or until holding of fresh elections of Society.

2. The Administrator is assigned the following tasks :-

- i) The Administrator shall make necessary arrangements in coordination with Cooperative Societies Department and Election Commission to hold elections of the Managing Committee of the Society within stipulated period.
ii) The Administrator shall not make any allotment of plots, whether fresh or pending, initiate any development work or make any payments pertaining to any development work and sale or purchase of land or any other payment except salary of staff and utility bills.
iii) No fresh appointment of any employee shall be made except with the approval of the Registrar.

iv) The Administrator shall facilitate and discharge his duties and obligations as laid down in Byelaws of the Society.

Islamabad, the 6th October, 2020

CORRIGENDUM

v) The Administrator shall take over proper charge of the Society.

No. 3922/CR/ICT/B.—In continuation of this Office Notification No. 3244/CR/ICT/B, dated 28th August, 2020, in line No. 3, it may be read as Rule 59 of the Islamabad Cooperative Societies Rules, 2018 instead of Byelaw No. 31(4).

vi) The Administrator shall not be entitled for any remuneration of his services.

2. Other terms and conditions shall remain un-changed.

vii) The Administrator shall submit monthly report to the Registrar Cooperative Societies, Islamabad regarding affairs of the Society.

3. By orders of the Deputy Commissioner / Registrar Cooperative Societies, ICT, Islamabad.

3. The Administrator may withdraw remuneration @ Rs. 10,000/- per month as per policy.

4. This issues with the approval of the Deputy Commissioner / Registrar Cooperative Societies, ICT, Islamabad.

ASGHAR KHAN NIAZI,
Circle Registrar,
Cooperative Societies Department.

The Gazette of Pakistan



PUBLISHED BY AUTHORITY

KARACHI, WEDNESDAY, OCTOBER 28, 2020

PART V

Notifications, etc., issued by The Patent Office

NEW APPLICATIONS FOR THE PATENTS

2nd January, 2020

The dates shown in the crescent brackets are the dates claimed under section 86 of the Patents Ordinance 2000.

30th December, 2019

876/2019 Khalid Pervez Bhatti and Robina Khan Niazi, Pakistan.—“An efficient Process for Production of High Purity Strontium Carbonate from indigenous Celestite”.

877/2019 Janssen Biotech, Inc., U.S.A. (Priority 10th January, 2019, US).—“PROSTATE NEOANTIGENS AND THEIR USES”.

878/2019 GlaxoSmith Kline Intellectual Property Development Limited, U.S.A.—“HETERO-CYCLIC AMIDES AS KINASE INHIBITORS”.

879/2019 Prof Javaid Abbas Sayed, U.S.A.—“WOW Homes Taj Mahal : Wonders of the World Homes”.

31st December, 2019

880/2019 UNILEVER PLC, United Kingdom (Priority 7th January, 2019, EP).—“BIODEGRADABLE INFUSION PACKETS”.

1st January, 2020

881/2020 Muhammad Hammad Ahmed, Pakistan.—“Application of Blockchain Technology in Islamic Banking and Finance”.

882/2020 Murtaza Najabat Ali & Hafsa Inam, Pakistan.—“Novel Hybrid Braid Configurations of Diagnostic Angiographic Catheter”.

883/2020 Eli Lilly and Company, U.S.A. (Priority 7th January, 2019, US).—“IL-17A INHIBITORS”.

884/2020 Array BioPharma. Inc., U.S.A. (Priority 3rd January, 2019, US).—“QUINOLINE COMPOUNDS AS INHIBITORS OF TAM AND MET KINASES”.

3rd January, 2020

885/2020 Mr. Raheel Abbas, Pakistan.—“Fast dual rectangular axis correlated kinematics fused deposition modeling (FDM) 3d printer”.

886/2020 Dr. Sibtain Ahmad, Assistant Professor (Animal Breeding and Genetics), Pakistan.—“Polyherbal mineral vitamin based feed additive for broiler chickens”..

APPLICATION ACCEPTED

Notice is hereby given that the person interested in opposing the grant of Patents to any of the applications referred to below at any time within four months from the date of this Patents' journal may give notice at the Patent Office on the prescribed Form P-7 of the Patents Rules 18(1) of 2003.

The six figures number shown in the right hand side are those given to applications on acceptance of the complete specification under which the specification will be printed and subsequent proceeding taken.

The figures shown within square brackets after the title of inventions indicate their classification index at acceptance.

Typed copies of the specification which are to open to public inspection can be supplied by the Patent Office on payment of the prescribed charges which may be ascertained on application to the office.

565/2011

CHIESI FARMACEUTICI S.p.A., Italy.—
“PHARMACEUTICAL FORMULATION
COMPRISING A PHOSPHODIESTERASE
INHIBITOR”.

A61K31/44, A61K9/00 & A61P11/06.

143404

The invention relates to a pharmaceutical formulation to be administered by pressurized metered dose inhalers (pMDIs), comprising:

- (a) the (-) enantiomer of 3-cyclopropylmethoxy-4-methanesulfonylaminobenzoic acid 1-(3-cyclopropylmethoxy-4-difluoromethoxyphenyl)-2-(3,5-dichloro-1-oxy-pyridin-4-yl)ethyl ester;
- a propellant;
- a co-solvent; and
- a surfactant selected from the group consisting of a PEG surfactant, a PVP surfactant, and a mixture thereof. may be used for the treatment of inflammatory or obstructive airway diseases.

875/2011

SICPA HOLDING SA., Switzerland.—“A substrate having a marking or layer comprising a cured chiral liquid crystal precursor composition”

C09K19/54.

143405

The invention relates to a substrate having thereon a marking or layer comprising a cured chiral liquid crystal precursor composition, wherein the chiral liquid crystal precursor composition comprises at least one salt that changes the position of a selective reflection band exhibited by the cured composition compared to a position of a selective reflection band exhibited by a cured composition that does not contain the at least one salt, and wherein a modifying resin made from one or more polymerizable monomers is disposed between the substrate and the marking or layer and in contact with the marking or layer in one or more areas thereof, the modifying resin changing a position of the selective reflection band exhibited by the cured chiral liquid crystal precursor composition comprising the at least one salt, on the substrate in the one or more areas.

644/2014

RIETER INGOLSTADT GMBH, Germany.—
“METHOD FOR CLEANING A FILTER ON A
DRAW FRAME AND DRAW FRAME HAVING
AN EXHAUST SYSTEM”

B01D46/00 & D01H5/66.

1/2015

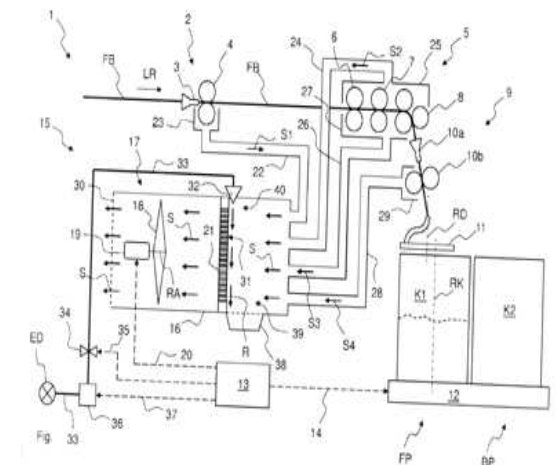
OTSUKA PHARMACEUTICAL FACTORY,
INC., Japan.—“CAP FOR ATTACHMENT TO
A CONTAINER BODY”.

B29C65/08, A61J1/14 & B65D51/00.

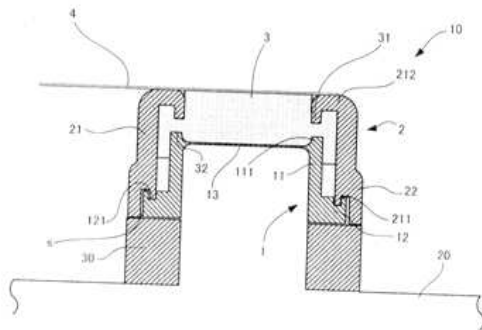
143407

A cap for attachment to a container has: an inner frame member shaped as a tube having a first end portion and a second end portion in an axial direction, a flange portion that protrudes radially outward being formed on the second end portion side; an outer frame member that has a first end portion and a second end portion in an axial direction, and is shaped as a tube to be placed around the inner frame member, an outer frame engaging portion being formed on the first end portion, and a cover portion that covers an outer periphery of the flange portion being formed on the second end portion; and an elastic member that is sandwiched between the outer frame engaging portion of the outer frame member and the first end portion of the inner frame member, and blocks the first end portion of the inner frame member. The cap

The present invention relates to a method for cleaning a filter (21) on a draw frame and a draw frame for drafting one or more slivers (FB) and having a controller (13) for controlling work processes of the draw frame (1) and having an exhaust system (3) for exhausting dust and/or dirt particles released during work processes, the exhaust system (15) comprising an exhaust fan (17) or generating a suction flow (S) and a filter (21) for filtering out dust and/or dirt particles from the suction flow (S). The invention proposes that a dirt collecting surface (31) of the filter (21) upstream with respect to the suction flow (S) is associated with at least one blast nozzle (32) supplied with compressed air for generating a cleaning flow (R) flowing along the dirt collecting surface (31) of the filter (21).



has a weld portion in which the flange portion of the inner frame member and a portion of an inner wall surface of the outer frame member are fixed by welding. A gap located radially outward relative to the weld portion is formed between the cover portion of the outer frame member and the flange portion of the inner frame member, and the gap extends from the weld portion and is open in the axial direction on the second end portion side of the outer frame member.



674/2015 INEOS TECHNOLOGIES SA., Switzerland.—
“Gasket, Electrode Assembly comprising said
Gasket, and Method”.

H01M8/02, C25B 9/00 & F28D19/04.

143408

This invention relates to gasket, apparatus incorporating said gasket and to method of using them. In particular, there is provided a gasket comprising a closed loop of resilient material, the loop having an inner periphery and an outer periphery, the gasket having a first thickness at a first position which is between 0% and 30% of the gasket width away from the outer periphery, a second thickness at a second position measured at a point at least 50% of the gasket width from the first position, and a third thickness at a third position intermediate the first and second positions and at least 10% of the gasket width from each, the first thickness being greater than the third thickness which is greater than the second thickness, and wherein either

a said gasket reduces in thickness from the first thickness to the third thickness and then to the second thickness via one or more tapered sections which taper linearly to a reduced thickness in the direction towards the inner periphery, or

step to a reduced thickness in the direction towards the inner periphery, or

c said gasket reduces in thickness from the first thickness to the third thickness and then to the second thickness via a combination of one or more steps and one or more tapered sections as defined above.

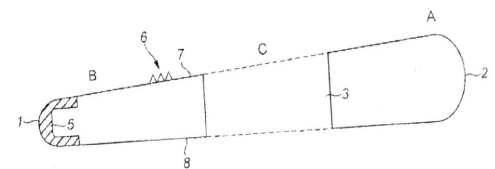


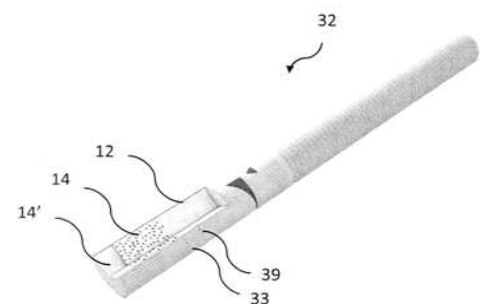
FIG. 4

788/2015 British American Tobacco (Investments) Limited, United Kingdom.—“A SMOKING ARTICLE, A SMOKING ARTICLE FILTER SECTION AND A METHOD OF MANUFACTURING A SMOKING ARTICLE”.

A24D3/06 & A24D3/04.

143409

A smoking article has a filter section for receiving smoke and/or other aerosol generated by said smoking article, a variable ventilation arrangement configured to provide a user controllable level of ventilation into the filter section and a flavour source configured to release flavour to said smoke and/or other aerosol generated by said smoking article at a location in said smoke and/or other aerosol downstream of said ventilation arrangement.



CORRIGENDUM

In the Gazette of Pakistan Part-V issued dated 23rd January, 2020, under the Heading “NEW APPLICATIONS FOR THE PATENTS”. The following correction are as under :-

APPLICATION NO.859/2019
(Correction in Applicant country name only)

For : U.Arab Emirates.

Read: UAE.

SEALING FEES DUE-

Notice is hereby given that the Patent may now be sealed on the application referred to below if it is desired that Patent should be sealed a request on the prescribed Form-10 accompanied by the fee of Rs.4500/- should be sent to the Controller of Patents and Designs, The Patent Office, Karachi.

Accepted No.	Applicant Name	Application No.
143236	INCYTE CORPORATION, U.S.A.	28/2010
143237	Sanofi-Aventis Deutschland GmbH, Germany.	957/2010
143238	BOEHRINGER INGELHEIM INTERNATIONAL GMBH, Germany.	29/2011
143239	CHIESI FARMACEUTICI S.p.A., Italy.	823/2012
143240	GlaxoSmithKline Intellectual Property Development Limited, United Kingdom.	280/2014
143241	HONDA MOTOR CO., LTD., Japan.	633/2014
143242	Koch Agronomic Services, LLC., U.S.A.	593/2014
143243	CRYSTAL LAGOONS (CURACAO) B.V., Curacao	876/2014
143244	Galapagos NV., Belgium.	25/2015
143245	Riboscience LLC., U.S.A.	53/2015
143246	GlaxoSmithKline Intellectual Property Development Limited, United Kingdom	689/2016

NEW APPLICATIONS FOR THE INDUSTRIAL DESIGNS

Design No.	Title & Class	Applicant
31st December, 2019		
20263	Bottle (Class-03)	Malik Zulfiqar Ali (Managing Partner), Nadeem Inayat and Naeemullah,
3rd January, 2020		
20264	BOTTLE (Class-03)	HILAL CARE (PRIVATE) LIMITED
20265	LIGHTING FIXTURES (Class-03)	EAE ELEKTRIK AYDINLATMA ENDUSTRISI SANAYI VE TICARET ANONIM SIRKETI

REGISTRATION OF DESIGNS

The following designs have been registered.

S. No.	Design No.	Title & Class	Applicant
3rd January, 2020			
1.	19818	Plastic Water Tank (Class-03)	ASLI PUNJAB INDUSTRIES (PVT.) LTD.,
2.	19344	Mould & Cut ONE PIECE Cover for inflatable football (Class-06)	Mr. Junaid Khalid Kapur
3.	19950	Commode (Class 4)	RANA MUNAWAR HUSSAIN, RIZWAN MUNAWAR RANA and IRFAN MUNAWAR RANA
4.	19198	ANAQA (Class-01)	ISFY International (Pvt.) Limited
5.	19823	Adapter for leakage testing (Class-01)	Aqib Perwaiz
6.	19800	The Smart Shoe (Class-10)	Dr. Khurram Kamal, Mehdi Hassan, Muhammad Haider Raza Zaidi, Ahmed Ali Tahir and Zaghum Ali
7.	20195	Marketing Material Label (Class-05)	AHMER,
8.	19917	Bottle (Class-03)	SAFAA-E-SEHAT PHARMA (PRIVATE) LIMITED
9.	19918	Dinner Set (Class-03)	Grace Plastic Industry,

DR. MUHAMMAD FAYYAZ AHMAD,
Controller of Patents & Registrar of Designs.



PUBLISHED BY AUTHORITY

KARACHI, WEDNESDAY, OCTOBER 28, 2020

PART VI

**Advertisements and Notices issued by Corporate Bodies and
Private Individuals on payment**

DEFENCE HOUSING AUTHORITY, LAHORE

[AMENDMENTS IN DHA CONSTRUCTION & DEVELOPMENT REGULATIONS, 2014]

DHA CONSTRUCTION & DEVELOPMENT REGULATIONS, 2014

MAXIMUM HEIGHT OF BUILDING

- Para 23 d existing Maximum height of sector shops in Phase-4 shall be 33 feet, allowing construction of basement, ground with mezzanine & first floors. Height of sector shops in Phase-I having plot area of 4 to 6 marla shall be 30 feet allowing construction of ground with mezzanine & first floors but without basement.
- Para 23 d read as Maximum height of Sector Shops in all phases of DHA including Phase 4 and 6 shall be 25 feet allowing construction of basement and ground floor with mezzanine. But if a Sector Shop is already constructed in an area the new Sector Shop shall be approved as per the configuration and height of already constructed Sector Shop on case to case basis by Bldg. Control Branch. The drawing scrutiny charges for all Sector Shops shall be Rs. 15/- per sft for proposed drawing and Rs. 12/- per sft for revised drawing.
- Para 23 e existing Basement is permitted in sector shops of Phase-4 under the shop area only (excluding verandah). The plinth level of shop shall be 1 feet from road level.
- Para 23 e read as The plinth level in all Sector Shops shall be 3 feet or 1 foot from front road level as approved by Bldg. Control Branch.
- Para 67 to be added **Relaxation in Excess Area Fine Against Installation of Solar System**

1. Due to prevailing energy crises in the country specially in summer season, there is a need to support solar energy system to resolve our energy crisis.
2. In the large National Interest and to encourage the residents of DHA towards installation of solar system, it is recommended that 50% of excess area will not be fined in 1 & 2 Kanal houses if the owner installs a solar system of 10 KW or above. Detail is given as under :-

S. No.	Area of House	Total excess area allowed	Allowable excess area without fine	Excess area allowed with fine	Excess area to be demolished
a.	1 Kanal	200 Sft.	100 Sft.	100 Sft.	More than 200 Sft.
b.	2 Kanal & above	300 Sft.	150 Sft.	150 Sft.	More than 300 Sft.

3. Moreover, if the solar system is found removed / dis-functional at any stage, the existing owner will pay the excess area amount as per existing rates which were excused in the past by DHA against the installation of solar system.

Date : 31st August, 2020

SAJID JAVED, *Retired Colonel,*
Secretary, DHA.

SMART INVESTMENT CAPITAL MANAGEMENT (PRIVATE) LIMITED

Extract of Minutes of Extraordinary General Meeting Held on October 05, 2020

- “Resolved that the Company be wound up by way of Members’ Voluntary Winding up.
- Further resolved that Mr. Muhammad Munir be and is hereby appointed as Liquidator of the Company for completion of the liquidation formalities at NIL remuneration.
- Further resolved that the Liquidator be and is hereby authorized for payment of expenses to be incurred in respect of Members’ Voluntary Winding up of the Company.

Sd/-

Chairman

FORM 109

(see Rule 271 of Companies Court Rules, 1997)

COMPANIES ACT, 2017

MEMBERS’ VOLUNTARY WINDING-UP

NOTICE OF APPOINTMENT OF LIQUIDATOR

PURSUANT TO SECTION 374 OF THE COMPANIES ACT, 2017

Name of the Company :	Smart Investment Capital Management (Private) Limited.
Nature of Business :	Brokerage House.
Address of Registered Office :	Suite No. 118-119, First Floor, Tower-B, Saima Trade Tower, I.I. Chundrigar Road, Karachi.
Names and Addresses Liquidator	(a) Muhammad Munir S/o. Abdul Ghani, 602-B, Saima Spring Field, FT-18, Frere Town, Karachi.
Date of Appointment :	October 05, 2020
By whom appointed :	Appointed by shareholders in Extraordinary General Meeting held on October 05, 2020 by passing special resolution.

Karachi
Dated : October 06, 2020

MUHAMMAD MUNIR,
Deponent.