



# The Gazette of Pakistan

PUBLISHED BY AUTHORITY

No. 31]

KARACHI, WEDNESDAY, JULY 29, 2020

## C O N T E N T S

PAGES	PAGES
<b>PART I—</b> Notifications regarding appointments, promotions, etc., issued by Ministries/Divisions of the Government of Pakistan, Department of the Auditor-General of Pakistan and the Supreme Court of Pakistan other than the Ministry of Defence and Ministry of Defence Production .....	<b>PART IV—</b> Notifications issued by the minor administrations and miscellaneous notification not included in any other part .....
849—873	45—x
<b>PART II—</b> Notifications issued by the Ministry of Defence and Ministry of Defence Production	<b>PART V—</b> Notifications etc., issued by The Patent Office.
371—373	39—49
<b>PART III—</b> Notifications issued by the High Courts, the Federal Public Service Commission and by the Attached and Subordinate Offices of the Government of Pakistan .....	<b>PART VI—</b> Advertisements and Notices issued by Corporate Bodies and Private Individuals on payment .....
603—615	151—157
	<b>SUPPLEMENT NO.</b>
	Weekly, notification of cases and deaths from quarantiable diseases .....

## PART I

### Notifications regarding appointments, promotions, etc. issued by Ministries/Divisions of the Government of Pakistan, Department of the Auditor-General of Pakistan and the Supreme Court of Pakistan other than the Ministry of Defence and Ministry of Defence Production

PRESIDENT'S SECRETARIAT (PUBLIC)

Islamabad, the 16th July, 2020

**No. F.13(27)/2020-Estt.**—In terms of Rule-4 of Civil Servants (Directory Retirement from Service) Rules, 2020, the competent authority has been pleased to constitute the following 'Retirement Committees' in respect of Civil Servants of this Secretariat:

- i. Retirement Committee for Civil Servants in BPS-17 to 19 shall consist of:

(a)	Additional Secretary-I	Chairperson
(b)	Representative of Establishment Division not below BPS-20	Member
(c)	Representative of Finance Division not below (BPS-20)	Member
(d)	Representative of Law & Justice Division not below BPS-20	Member
(e)	Director (Admn)	Secretary

- ii. Retirement Committee for Civil Servants in BPS-16 and below shall consist of:

(a)	Director General (A&C)	Chairperson
(b)	Representative of Establishment Division not below BPS-19	Member
(c)	Representative of Finance Division not below (BPS-19)	Member
(d)	Representative of Law & Justice Division not below BPS-19	Member
(e)	Head of the Department or office concerned, other than a Division	Member
(f)	Director (Admn)	Secretary

2. The functions and mandate of above Retirement Committees are defined in Civil Servants (Directory Retirement from Service) Rules, 2020.

HAFIZ UBaidULLAH ZAKRIA,  
Deputy Director (Admin).

## PRIME MINISTER'S OFFICE

[NATIONAL DISASTER MANAGEMENT AUTHORITY]

Islamabad, the 13th July, 2020

**No. 2(272)/2016-NDMA(A&P).**—With the approval of the competent authority, the contract period of Mr. Hazrat Gul, Assistant Private Secretary (BS-16), National Disaster Management Authority (NDMA) is extended with effect from 1st July, 2020 till 7th June, 2021.

Islamabad, the 17th July, 2020

**No. PF.1(169)/2020-NDMA/HR.**—In pursuance, Ministry of Federal Education and Professional Training Letter No. 8-7-2019,PT-I dated 24th June, 2020. Mr. Ahsen Siddique, a BS-18 Officer of National Commission for Human Development, has assumed the charge of the post of Deputy Director (BS-18), in National Disaster, Management Authority (NDMA), Prime Minister's Office Islamabad, on deputation basis for an initial period of three years on standard terms and conditions with effect from 26th June, 2020.

MUHAMMAD TAHIR UDDIN,  
Deputy Director (Admin).

## NATIONAL ACCOUNTABILITY BUREAU

Islamabad, the 17th July, 2020

**No. 3(1201)/R/2013/PM-II.**—DG (HRM) has been pleased to grant 89 days maternity leave on full pay with effect from 20th July, 2020 to 16th October, 2020 in respect of Ms. Hira Ahmed, Assistant Director (BS-17), NAB (Rawalpindi).

On the expiry of leave, the officer is expected to resume her duties of the same post at the same station.

MUHAMMAD SHOAB,  
Deputy Director (PM-II).

Islamabad, the 14th July, 2020

**No. 3(1851)/L/2017/PM-V.**—The competent authority has been pleased to grant 90 days maternity leave (LFP) in respect of Ms. Ummara Fatima, Deputy Assistant Director (BPS-16), National Accountability Bureau (Lahore), with effect from 4th June, 2020 to 1st September, 2020.

On the expiry of leave, the officer shall resume her duties of the same post and station.

Islamabad, the 15th July, 2020

**No. 3(1703)/L/2016/PM-V.**—In pursuance of NAB HQ's notification of even number dated 27th April, 2020,

Mr. Zohair Hassan has relinquished the charge of the post of Assistant Director (BS-17) from NAB (Lahore) with effect from 9th April, 2020 and assumed the charge of the same post at NAB (KP) with effect from 18th April, 2020.

MUHAMMAD ZEESHAN HAIDER,  
Deputy Director (PM-V).

Islamabad, the 13th July, 2020

**No. 1(339)/Admn/2012/11285.**—Director General NAB (R) has been pleased to grant 10 days leave on full pay (LFP) with effect from 20th July, 2020 to 29th July, 2020 in respect of Mr. Hammad Hassan Khan Niazi, Additional Director (BPS-19) NAB (R)/Islamabad.

On the expiry of leave, the officer is expected to resume his duties of the same post at the same station.

ERIC PAUL,  
Deputy Director (Admn).

Islamabad, the 17th July, 2020

**No. 7-7(4)/Inquiry/K/2020-PM-III.**—In continuation of this Bureau's notifications of even number dated 9th January, 2020 & 14th April, 2020 and in terms of Section 11.04 of NAB Employee's Terms & Conditions of Services (TCS) (2002), the suspension period of Mr. Errol Philip Wingson, Deputy Director (BPS-18), NAB (Karachi) stands extended for a further period of three months with effect from 9th July, 2020.

HAMZA NIHAL TARIQ,  
Assistant Director (PM-III).

Islamabad, the 17th July, 2020

**No. 2(249)/Admn/2005/11644.**—Director General NAB (R)/Islamabad has been pleased to grant 9 days leave on full pay (LFP) with effect from 2nd July, 2020 to 10th July, 2020 in respect of Mr. Sahib Wali, Assistant Private Secretary (BPS-16), NAB (R), Sub Office Gilgit.

MUHAMMAD QASIM,  
Assistant Director (Admn).

## CABINET SECRETARIAT

(Cabinet Division)

Islamabad, the 17th July, 2020

**No. PF.(1140)-Admn-II.**—In pursuance of Establishment Division's Notification No. F.24/9/2012-E-I dated 17th July,

2020, Dr. Masood Akhter Chaudhry, a BS-21 officer of Military Lands & Cantonment Group, has relinquished the charge of the post of Additional Secretary (BS-21), Cabinet Division with immediate effect.

MUHAMMAD ZAHID SHAH,  
Deputy Secretary (Admn).

(Establishment Division)

Islamabad, the 16th June, 2020

**No. F.31/1/2020-E-I.**—Sheikh Zahid Masood, a BS-20 officer of Inland Revenue Service, presently posted as Chief (Enforcement), Federal Board of Revenue (FBR) is transferred and posted as Joint Secretary, Ministry of Maritime Affairs on deputation basis with effect from 16th June, 2020 to 24th February, 2022, on standard terms & conditions and until further orders.

On completion of his deputation period on 24th February, 2022, the officer will stand repatriated to his parent department *i.e.* Federal Board of Revenue.

**No. F.11/09/2019-E-I.**—Mr. Muhammad Saeed Ashraf Siddiqi, a BS-20 officer of Secretariat Group, presently posted as Joint Secretary, Establishment Division, is transferred and posted as Joint Secretary Economic Affairs Division, with immediate effect and until further orders.

**No. 1-54/2011-E-2.**—Mr. Abu Zafar Sadiq, a BS-19 officer of the Secretariat Group, presently posted as Deputy Secretary, Establishment Division, is transferred and placed at the disposal of President's Secretariat (Public) on deputation basis for a period of three years, on standard terms and conditions with immediate effect and until further orders.

**No. F.12(9)/2006-E-3(Police).**—Mr. Muhammad Anwar Khetran, a BS-19 officer of Police Service of Pakistan, presently serving under Government of the Punjab, is transferred and his services are placed at the disposal of Government of Sindh, with immediate effect and until further orders.

**No. PF(922)/E-5(PAS).**—The competent authority has been pleased to approve deputation of Mr. Saif Ullah Dogar, a BS-19 officer of Pakistan Administrative Service, presently posted under Government of the Punjab, as PFM and Fiscal Space Advisor in the Sub-National Governance Program-II (SNG-II), Department for International Development (DFID), for a period with effect from 9th March, 2020 to 1st September, 2023.

On completion of deputation period, the officer shall report to Establishment Division.

Government of Pakistan has no objection on his proceeding abroad during the period of deputation on need

basis, subject to the condition that there will be no foreign exchange liability on the part of Government of Pakistan.

**No. PF(1232)/E-5(PAS).**—Mr. Javed Nabi, a BS-18 officer of Pakistan Administrative Service, presently awaiting posting in Establishment Division, is transferred and his services are placed at the disposal of Government of Sindh, with immediate effect and until further orders.

Islamabad, the 17th June, 2020

**No. 1/108/2020-E-4.**—Mr. Asim Majid Khan, a BS-21 officer of Inland Revenue Service, is transferred and his services are placed at the disposal of National School of Public Policy, on deputation basis, for a period of three (03) years on standard terms and conditions, with immediate effect and until further orders.

#### OBITUARY

**No. F.40/621/2019-E-1.**—The Government of Pakistan announces with deep regret the sad demise of Mr. Nadeem Iqbal Abbasi, a BS-21 officer of Secretariat Group.

Mr. Nadeem Iqbal Abbasi was born on 14th March, 1962. He served in the Federal Government in various capacities in the Office Management Group and the Secretariate Group. At the time of his death on 29th May, 2020, he was posted as Senior Joint Secretary, Establishment Division.

The Government of Pakistan wishes to place on record its appreciation of the dedicated services rendered by the deceased.

In expressing its deep sense of grief at the demise of Mr. Nadeem Iqbal Abbasi, the Government of Pakistan conveys its commiseration and sympathy to the members of the bereaved family. May his soul rest in peace. Ameen.

**No. F.39/1038/2015-E-I.**—Mr. Muhammad Arshad Khan, a BS-20 officer of Secretariat Group, presently posted as Joint Secretary, Privatization Division, is transferred and posted as Joint Secretary, Aviation Division, with immediate effect and until further orders.

**No. F.30/3/2018-E-I.**—Ms. Samreen Zahra, a BS-19 officer of Secretariat Group, presently posted as Director General, Privatization Commission under Section 10 of Civil Servants Act, 1973, is transferred and posted as Joint Secretary, Privatization Division, under Section 10 of Civil Servants Act, 1973, with immediate effect and until further orders.

**No. 1/7/2018-E-4.**—Mr. Hammad Iftikhar Syed, Deputy District Public Prosecutor (BS-18), Prosecution Department, Government of the Punjab, is transferred and his services are placed at the disposal of Interior Division for further posting in Federal Investigation Agency (FIA), on deputation basis, for a period of one year and three months,

on standard terms and conditions, with immediate effect and until further orders.

Islamabad, the 18th June, 2020

**No. F.41/472/2016-E-1.**—Mr. Aamir Hasan, a BS-22 officer of Secretariat Group, presently posted as Secretary, Overseas Pakistanis & Human Resource Development Division is transferred and directed to report to Establishment Division with immediate effect and until further orders.

**No. F.41/479/2017-E-1.**—Dr. Muhammad Hashim Popalzai, a BS-22 officer of Secretariat Group, presently awaiting posting in Establishment Division, is transferred and posted as Officer on Special Duty (OSD), Establishment Division, with effect from 7th April, 2020.

**No. F.41/479/2017-E-1.**—Dr. Muhammad Hashim Popalzai, a BS-22 officer of Secretariat Group, presently posted as Officer on Special Duty (OSD), Establishment Division is transferred and posted as Secretary, Overseas Pakistanis and Human Resource Development Division, with immediate effect and until further orders.

**No. PF.(985)/E-5(PAS).**—Mr. Sumair Ahmad Syed, a BS-19 (Acting) officer of Pakistan Administrative Service, presently posted under the Government of the Punjab, is transferred and directed to report to Establishment Division, with immediate effect and until further orders.

**No. PF(1037)/E-5(PAS).**—The competent authority has been pleased to approve deputation of Mr. Umar Jahangir, a BS-18 officer of Pakistan Administrative Service as District Team Leader at Sub National Governance Programme of Department for International Development (DFID), for a period with effect from 1st February, 2020 to 1st September, 2023.

On completion of deputation period, the officer shall report to Establishment Division.

Government of Pakistan has no objection on his proceedings abroad during the period of deputation on need basis, subject to the condition that there will be no foreign exchange liability on the part of Government of Pakistan.

The unavailed portion of Extra Ordinary Leave (EOL) (without pay) (ex-Pakistan) with effect from 25th November, 2019 to 3rd January, 2022 granted to Mr. Umar Jahangir, a BS-18 officer of Pakistan Administrative Service *vide* this Division's notification of even number dated 19th November, 2019, is hereby cancelled with effect from 1st February, 2020.

**No. F.12(45)/2014-E-3(Police).**—Mr. Abdul Wahab, a BS-18 officer of Police Service of Pakistan, presently serving in Islamabad Capital Territory (ICT) Police, under Interior Division, is transferred and his services are placed at the disposal of Government of the Punjab, with immediate effect and until further orders.

**No. 1-33/2019-E-2.**—This Division's notification of even number dated 10th October, 2019 in respect of Mr. Muhammad Farooq, (BS-18/OMG), is hereby withdrawn *ab-initio*.

MARIAM KAYANI,  
Deputy Secretary.

Islamabad, the 17th June, 2020

**No. F.4/215/2012-E-VII.**—This Division's notification of even number dated 8th April, 2020, in respect of Mr. Abdul Ahad Sami, Section Officer (BS-18/on deputation), presently posted as Section Officer, Parliamentary Affairs Division is cancelled/withdrawn *ab-initio*.

The officer's deputation in Federal Secretariat is subject to final outcome of I.C.A No. 88/2019, pending adjudication in Islamabad High Court, Islamabad.

**No. PF.1430/2018-E-VII.**—Mr. Samar Iqbal (OMG/BS-17/Probationer), presently posted as Section Officer, Maritime Affairs Division, is reverted to his previous post in Ministry of Foreign Affairs under Rule 6(4) of Civil Servants (confirmation) Rules, 1993, with immediate effect.

**No. F.1414/2017-E-VII.**—Ms. Tayyaba Sahar (OMG/BS-17/Probationer), Section Officer, Establishment Division, is granted 60 days leave on full pay, subject to title, with effect from 22nd June, 2020.

SHAMS-UD-DIN,  
Section Officer.

Islamabad, the 16th June, 2020

**No. F.39/1014/2013-1.**—Mr. Muhammad Ashfaq Ghumman, a BS-20 officer of Secretariat Group, presently posted as Joint Secretary, Parliamentary Affairs Division is transferred and posted as Joint Secretary, Ministry of Planning, Development & Special Initiatives with immediate effect and until further orders.

SHEIKH MUHAMMAD UMAR FAROOQ,  
Section Officer.

Islamabad, the 19th June, 2020

**No. F.40/586/2015-E-1.**—Mr. Toaha Hussain Bugti, a BS-21 officer on Secretariat Group, presently posted as Officer on Special Duty (OSD), Establishment Division, is transferred and posted as Senior Joint Secretary, Information Technology & Telecommunication Division, with immediate effect and until further orders.

ATIF R. KHATTAK,  
Section Officer.

Islamabad, the 18th June, 2020

**No. PF(755)/E-5(PAS).**—Mr. Salman Mufti, a BS-20 officer of Pakistan Administrative Service, presently OSD, Establishment Division, is transferred and posted as Joint Secretary, Establishment Division, with immediate effect and until further orders.

Islamabad, the 19th June, 2020

**No. PF.(985)/E-5(PAS).**—This Division's notification of even number dated 18th June, 2020 is partially modified to the extent that the word "Acting" is deleted.

ASMA SANAULLAH,  
Section Officer.

Islamabad, the 18th June, 2020

**No. 6/1/2007-D-2.**—The office timings notified *vide* this Division's notification of even number dated 29th May, 2020 shall continue until Tuesday, 30th June, 2020 unless modified or withdrawn earlier.

TAHREEN AKBAR,  
Section Officer.

[MANAGEMENT SERVICES WING]

Islamabad, the 15th June, 2020

**No. 22/4/81-Estt.**—Mr. Muhammad Fayyaz, Assistant Private Secretary (BS-16), Management Services Wing, Establishment Division, Islamabad is granted 15 days LFP with effect from 9th June, 2020 to 23rd June, 2020.

After expiry of leave, he is likely to resume his duty on the same post and station.

MUHAMMAD RASHID,  
Deputy Secretary (MSW).

(Poverty Alleviation & Social Safety Division)

Islamabad, the 12th June, 2020

**No. SD.SO.P.1-3/2018(A-IV)/245.**—Mr. Muhammad Yousaf, Deputy Secretary BS-19 has relinquished the charge of the post of Deputy Secretary (BS-19) in Poverty Alleviation and Social Safety Division on 12th June, 2020.

GUL ZAMAN,  
Section Officer (A-IV).

[BENAZIR INCOME SUPPORT PROGRAMME]

Islamabad, the 15th June, 2020

**No. 2(1985)/BISP/HR/2019.**—In pursuance of National Telecommunication Corporation (NTC), Islamabad's Letter No. HR.2409/2020 dated 8th May, 2020, deputation period of Mrs. Nargis Riaz, A&HR Officer NTC Islamabad, presently posted as Assistant Private Secretary (SPS-16), Divisional Office BISP Rawalpindi, is hereby extended for further period of one year (2nd Year) with effect from 30th April, 2020.

This issues with the approval of the Director General (HR), BISP.

**No. F.1(908)/BISP/HR/KP/2016.**—Mr. Zia-ur-Rehman, (OMG.BS-18), presently posted as Deputy Director (Ops & HR), Regional Office, BISP KP, is hereby granted 31 days leave on full pay with effect from 1st July, 2020 to 31st July, 2020. Further, Mr. Hassan Afridi, Deputy Director (WeT), Regional Office, BISP KP, will lookafter the work of the post of Deputy Director (Ops & HR), in addition to his own duties, during the leave period of the officer.

This issues with the approval of the Director General (Admin & HR), BISP, Islamabad.

Islamabad, the 16th June, 2020

**No. 2(1984)BISP/HR/2019.**—In pursuance of Office of the Military Accountant General (MAG), Rawalpindi Cantt's Letter No. 368/AN/902-242(43030), dated 12th May, 2020, deputation period of Mr. Muhammad Sajid, Assistant Accounts Officer, presently posted in BISP Punjab Region, is hereby extended for further period of one year (2nd Year) with effect from 22nd May, 2020 to 21st May, 2021.

This issues with the approval of the Director General (Admin & HR) BISP.

Islamabad, the 17th June, 2020

**No. 1(1264)/BISP/HR/B/2018.**—Mr. Sajjad Hussain Zehri, Business Manager Operation, Noshki QTR, PTCL who was serving as Deputy Director (Admn/HR) (SPS-18), in Regional Office, BISP Balochistan, on deputation basis, has died in a road accident in 2nd June, 2020.

Islamabad, the 18th June, 2020

**No. 1(848)/BISP/HR/S/2016.**—In pursuance of Establishment Division's O.M. No. 1-257/2019-E-4, dated 10th June, 2020 and Pakistan Bait-ul-Mal, Islamabad's Letter No. PBM/ESTB/DI/PF-056/2001/2854, dated 20th April, 2020, deputation period of Malik, Mazhar Abbas, District Officer (BS-17), Pakistan Bait-ul-Mal, District Office, Okara, presently posted as Assistant Director, BISP Tehsil Office, Chunian, Punjab, region is hereby extended for a

period of one year with effect from 21st April, 2020 to 20th April, 2021, on standard terms and conditions.

This issues with the approval of the Secretary, BISP.

MUHAMMAD AHMAD USMANI,  
Director HR (Regions).

---

WAFAQI MOHTASIB (OMBUDSMAN)'S SECRETARIAT

Islamabad, the 16th June, 2020

**No. F.1(754)A-II/2014.**—Mr. Wazir Sultan, Senior Private Secretary (BS-19), Wafaqi Mohtasib Secretariat, Head Office, Islamabad is hereby granted leave encashment of 365 days in lieu of leave preparatory to retirement (LPR) for the period from 1st April, 2020 to 31st March, 2021, subject to performance of duty during the entire period of LPR. The officer will retire from Government Service on 31st March, 2021 after attaining the age of superannuation.

This issues with the approval of Secretary WMS.

SHAHID MAHMOOD,  
Assistant Director (Admn-I).

---

MINISTRY OF COMMERCE

Islamabad, the 11th June, 2020

**No. 7(20)/2019-Admn-I/MoC.**—Consequent upon his request and with approval of the competent authority, *i.e.* Secretary Commerce, Mr. Muhammad Mudassir, Research Officer, Ministry of Commerce, Islamabad, is granted thirty (30) days leave on full pay, with effect from 1st June, 2020 to 30th June, 2020.

Islamabad, the 15th June, 2020

**No. 7(8)/2018-Admn-I/MoC.**—In pursuance of Establishment Division's Notification No. F.1/6/2020/E-5(PAS), dated 12th June, 2020, consequent upon his promotion to BS-22 and transfer to Cabinet Division, Capt. (Retd.) Javed Akbar, Additional Secretary, Ministry of Commerce has relinquished charge of the post of Additional Secretary, Ministry of Commerce, Islamabad, on 15th June, 2020 to join his new assignment as Special Secretary, Cabinet Division, Islamabad.

Islamabad, the 17th June, 2020

**No. 7(16)/2020-Admn-I/MoC.**—In pursuance of Establishment Division's Notification No. F.1/6/2020-E-5(PAS), dated 12th June, 2020, consequent upon his promotion and transfer, Mr. Muhammad Sualeh Ahmad Faruqi, a BS-22 officer of Pakistan Administrative Service (PAS), has assumed the charge of the post of Special Secretary, Ministry of Commerce, Islamabad, on 16th June, 2020.

Islamabad, the 19th June, 2020

**No. 7(13)/2019-Admn-I/MoC.**—In pursuance of Ministry of Commerce's Notification No. 15(9)/2005-A-III/CTG, dated 11th June, 2020, consequent upon his transfer and placement of services at disposal of Trade Development Authority of Pakistan (TDAP), Lahore, Mr. Zahid Qadeer, a BS-19 officer of Commerce and Trade Group, has relinquished the charge of the post of Director, Ministry of Commerce, Islamabad, on 18th June, 2019.

MUHAMMAD IMTIAZ,  
Deputy Director (MoC).

---

Islamabad, the 11th June, 2020

**No. 15(9)/2005-A-III/CTG.**—Mr. Zahid Qadeer, a BS-19 officer of Commerce and Trade Group, presently posed as Director, Ministry of Commerce, Islamabad is hereby transferred and placed at the disposal of Director General, Trade Development Authority of Pakistan (TDAP), Lahore for further posting in Gujranwala/Lahore/Sialkot region against available vacant post with immediate effect and until further orders.

This issues with the approval of Secretary Commerce.

Islamabad, the 12th June, 2020

**No. 2(1)2020/DD/CTG.**—In pursuance of approval of the competent authority conveyed *vide* Establishment Division's U.O. No. 7/1/2020-CP-VI, dated 12th June, 2020, Mr. Muhammad Irfan Tarar, a BS-21 officer of Commerce and Trade Group is promoted to BS-22 with immediate effect.

DR. M. BAQIR JAHANZEB,  
Deputy Director (CTG).

---

Islamabad, the 12th June, 2020

**No. 1(5)/2016-AOs.**—In pursuance to Office of the Auditor General of Pakistan's Letter No. 318/Estt-C/26/2004 dated 1st June, 2020, the services of Mr. Muhammad Nadeem, Audit Officer (BS-18) are placed at the disposal of Trade Development Authority of Pakistan for further posting as Accounts Officer (BS-18) on deputation basis for a period of three years with immediate effect and until further orders.

**No. 1(6)/2016-AOs.**—The Services of Mr. Iftikhar Ahmad Khan (BS-18/OMG) Deputy Director, Trade Development Authority of Pakistan (TDAP), Swat are returned to his parent department *i.e.* Establishment Division with immediate effect.

NAQEEB ARSHAD,  
Deputy Director (AOs).

## MINISTRY OF COMMUNICATIONS

Islamabad, the 15th June, 2020

**No. PF-232/2020-Admn.**—In pursuance of Establishment Division's Notification No. F.1/6/2020/E-5(PAS) dated 12th June, 2020 Dr. Tanveer Ahmed Qureshi, a BS-22 officer of Pakistan Administrative Services has assumed the charge of the post of Special Secretary, Ministry of Communication, Government of Pakistan, Islamabad on 12th June, 2020.

MUHAMMAD HASAN SHAFQAAT,  
Deputy Secretary.

Islamabad, the 15th June, 2020

**No. 1-8/2019-P.O-I.**—In pursuance of approval conveyed by Establishment Division, Government of Pakistan, Islamabad *vide* U.O. No. 7/1/2020-CP-VI dated 12th June, 2020 based on the recommendations of High Powered Selection Board (H.P.S.B) convened on 5th & 11th June, 2020 and with the approval of the competent authority (Prime Minister), Mr. Muhammad Akhlaque Rana, Additional Director General (Admn) (BS-21/Postal Group) is promoted to BS-22 in Postal Group with immediate effect.

**No. 1-8/2019-P.O-I.**—In pursuance of approval conveyed by Establishment Division, Government of Pakistan, Islamabad *vide* U.O. No. 7/1/2020-CP-VI dated 12th June, 2020 based on the recommendations of High Powered Selection Board (H.P.S.B) conveyed on 5th & 11th June, 2020 and with the approval of the competent authority (Prime Minister), Mr. Ejaz Ahmed Minhas, Additional Director General (FS) (BS-21/Postal Group) is promoted to BS-22 in Postal Group with immediate effect.

WAQAR MAQSOOD,  
Section Officer (P.O-I).

Islamabad, the 15th June, 2020

**No. F.1(3)/2006-(RT).**—In pursuance of approval of the Prime Minister's, in his capacity as Appellate Authority, conveyed *vide* Prime Minister's Office U.O. No. 894/SPM/19 dated 17th April, 2020, the imposition of major penalty "Compulsory Retirement from Service" against Mr. Masoud Bakht, *ex-Deputy* Chief BS-19, NTRC imposed *vide* notification of even number dated 10th May, 2017 is hereby *set aside* hence withdrawn *ab-initio*.

**No. F.1(3)/2006-(RT).**—In pursuance of approval of the Prime Minister's, in his capacity as Appellate Authority, conveyed *vide* Prime Minister's Office U.O.No. 894/SPM/19 dated 17th April, 2020, the out of service period *i.e.* from the date of imposition of penalty till his superannuation, is

treated as EOL with effect from 5th May, 2017 to 14th May, 2017 in respect of Mr. Masoud Bakht, *ex-Deputy* Chief, NTRC. The date of retirement of officer shall be treated as 14th May, 2017 instead of 5th May, 2017 as notified *vide* this Ministry's notification of even number dated 10th May, 2017.

MUHAMMAD FARDOS,  
Section Officer R-II.

## DEPARTMENT OF THE AUDITOR GENERAL OF PAKISTAN

Islamabad, the 12th June, 2020

**No. 28-Dir(A)/1-1/P-22/CA-II/2019.**—Consequent upon the recommendations of the 24th meeting of High Powered Selection Board (HPSB) held on 5th and 11th June, 2020, the competent authority *i.e.* the Prime Minister, has been pleased to approve the promotion of following BPS-21 officers of Pakistan Audit & Accounts Service to BPS-22, as conveyed *vide* Establishment Division's U.O. No. 7/1/2020-CP-VI dated 12th June, 2020.

- 1). Mian Muhammad Jamil Afaqi
- 2). Mr. Abdul Ghufuran Memon
- 3). Mr. Ghulam Muhammad Memon

Islamabad, the 15th June, 2020

**No. 29-Dir(A)/2-1/2019.**—The Auditor General of Pakistan has been pleased to order that Mian Muhammad Jamil Afaqi, a BS-22 officer of Pakistan Audit & Accounts Service, presently posted as Chief Instructor, National School of Public Policy (NSPP), Lahore on deputation basis, is repatriated and posted as Additional Auditor General-II, AGP Office, Islamabad, on regular basis, with immediate effect and until further orders.

**No. 539-CA-III/1-77/2015(SR.#78)-A.**—Mrs. Sheena Ali Mansoor, BS-20 officer of Pakistan Audit and Accounts Service, presently posted as Director General, Auditor General of Pakistan, is transferred and posted as Joint Secretary, Overseas Pakistanis & Human Resource Development Division, under Section 10 of Civil Servants Act, 1973, with immediate effect until further orders.

**No. 30-Dir(A)/2-4/2019.**—The competent authority has been pleased to order that posting/transfer orders issued *vide* this office Notification No. 69-Dir(A)/2-4/2019 dated 9th December, 2019 with respect to posting of Mrs. Sheena Ali Mansoor, BS-20/PA&AS, as mentioned at Si. No. 07, may be treated as cancelled/withdrawn *ab-initio*.

ZULFIQAR KHAN,  
Director (Admin).

Islamabad, the 12th June, 2020

**No. 5750/PAAS-I/10-2005-II(638).**—Mr. Mehfooz Ahmed Bhatti, a BS-20 officer of Pakistan Audit & Accounts Service has relinquished charge of the post of Director General (Policy), in office of the Auditor General of Pakistan, Islamabad on 4th June, 2020 and assumed the charge of the post of Director General Audit, Climate Change & Environment, Islamabad on 4th June, 2020, in pursuance of Auditor General of Pakistan Notification No. 25-Dir(A)/2-3/20 dated 2nd June, 2020.

**No. 5749/PAAS-I/7-2005(639).**—Mr. Muhammad Ejaz-ul-Haq, a BS-20 officer of Pakistan Audit & Accounts Service has relinquished charge of the post of Director General Audit, District Government, Punjab (North) Lahore on 24th February, 2020 and assumed charge of the post of Director General (Operation), North Employees Old-Age Benefits Institution (EOBI), Lahore on 24th February, 2020, in pursuance of Auditor General of Pakistan Notification No. 281-CA-III/1-27/2016 dated 21st February, 2020.

**No. 323/PAAS-II/56-2017.**—Mr. Hamid Hussain, a BS-18 officer of Pakistan Audit and Accounts Service posted as Deputy Director in the O/o. the Auditor General of Pakistan, Islamabad shall stand retired from Government Service upon attaining the age of superannuation on 1st December, 2020. His date of birth is 1st December, 1960.

**No. 324/PAAS-II/18-2020.**—In pursuance of Auditor General of Pakistan's Notification No. 15/Dir(A).CA-II/1-5/P-18/2020 dated 3rd April, 2020 Mr. Shehzad Fida Parvi, a BS-18 PA&AS officer has relinquished charge of the post of Assistant Accountant General O/o. the AGPR (Sub-Office) Lahore on 7th April, 2020 and assumed charge of the post of Deputy Director Audit O/o. the Director General Audit Defence Services (SO) Lahore on the same date.

**No. 5753/PAAS-I/26-2002(602).**—Mr. Ahmar Ellahi, a BS-20 officer of Pakistan Audit & Accounts Service has relinquished charge of the post of Director General Audit, Climate Change & Environment, Islamabad on 4th June, 2020 and assumed charge of the post of Director General Audit, Foreign & International, Islamabad on 4th June, 2020, in pursuance of Auditor General of Pakistan Notification No. 25-Dir(A)/2-3/20 dated 2nd June, 2020.

**No. 325/PAAS-II/4-32/CE/2018.**—Consequent upon completion of their 47th CTP at Civil Services Academy Lahore, the following Probationary Officers of Pakistan Audit & Accounts Services (PA&AS) have relinquished the charge at CSA Lahore and assumed the charge at Pakistan Audit & Accounts Academy Lahore for 47th

Specialized Training Programme on the date mentioned against each:-

Sr. No.	Name of Probationers	Date of Charge relinquishment at CSA Lahore	Date of Charge Assumption at PA&AA Lahore
1.	Ahmed Iqbal	21.04.2020	21.04.2020
2.	Akram Ali Seehar	21.04.2020	21.04.2020
3.	Bakht Ali	21.04.2020	21.04.2020
4.	Fareed Kaleem Khan	21.04.2020	21.04.2020
5.	Abdul Rauf	21.04.2020	21.04.2020
6.	Ghulam Mustafa	21.04.2020	21.04.2020
7.	Mushahid Hussain	21.04.2020	21.04.2020
8.	Wajahat Saleem	21.04.2020	21.04.2020
9.	Aqsa Lodhi	21.04.2020	21.04.2020
10.	Farwa Hussain	21.04.2020	21.04.2020
11.	Mahnour Shafaq	21.04.2020	21.04.2020
12.	Mariam Khalid	21.04.2020	21.04.2020
13.	Muhammad Azam	21.04.2020	21.04.2020
14.	Nayab Fatima	21.04.2020	21.04.2020
15.	Ahsan Ali	21.04.2020	21.04.2020
16.	Ghazanfar Ilyas	21.04.2020	21.04.2020
17.	Hafiz Muhammad Anwar-ul-Haq	21.04.2020	21.04.2020
18.	Hijab Jan	21.04.2020	21.04.2020
19.	Anum Rehman Syed	21.04.2020	21.04.2020
20.	Hasnain Ali Vistro	21.04.2020	21.04.2020
21.	Muhammad Bilal Naseer	21.04.2020	21.04.2020
22.	Rabia Muneer	21.04.2020	21.04.2020
23.	Sadia Waheed	21.04.2020	21.04.2020

2. The following officers were repeater of CSS-2018 and allocated from OMG group:-

Sr. No.	Name of Probationers	Date of Charge relinquishment at OMG	Date of Charge Assumption at PA&AA Lahore
24.	Amna Zulfiqar	21.04.2020	21.04.2020
25.	Abu Saeed Arif	27.04.2020	27.04.2020

**No. 329/PAAS-II/2-1817/2019.**—Consequent upon his appointment through Khyber Pakhtunkhwa Public Service Commission (KPPSC) as officer of Provincial Management Services (PMS), Khyber Pakhtunkhwa, Mr. Muhammad Bilal Naseer (PA&AS/BS-17/Probationer/Under training), is



hereby relieved without lien from Pakistan Audit & Accounts Services (PA&AS) with effect from 2nd June, 2020.

This issues with the approval of Auditor General of Pakistan.

Islamabad, the 16th June, 2020

**No. 5760/IDC/9-95/PAAS-I/Vol-II(584).**—Mr. Farrukh Suhail Malik, a BS-20 officer of Pakistan Audit & Accounts Service has relinquished charge of the post of Deputy Auditor General (FAO), in office of the Auditor General of Pakistan, Islamabad (OPS), on 6th April, 2020 and assumed charge of the post of Deputy Controller General of Accounts (FABs), in office of the Controller General of Accounts, Islamabad (OPS) on 6th April, 2020, in pursuance of Auditor General of Pakistan Notification No. 17-Dir(A)/2-2/2020 dated 31st March, 2020. The Officer has subsequently relinquished charge of the post of Deputy Controller General of Accounts (FABs), in office of the Controller General of Accounts, Islamabad (OPS), on 11th May, 2020 and assumed charge of the post of Accountant General Balochistan, Quetta (OPS) on 12th May, 2020, in pursuance of Auditor General of Pakistan Notification No. 21-Dir(A)/2-3/20 dated 7th May, 2020.

**No. 5757/PAAS-I/22-90-II(474).**—Consequent upon his promotion to the post of Additional Auditor General, equivalent to (BS-22), Mian Muhammad Jamil Afaqi, an officer of Pakistan Audit & Accounts Service has relinquished charge of the post of Chief Instructor, BS-21 in National School of Public Policy (NSPP), Lahore on 15th June, 2020 and assumed charge of the post of Additional Auditor General-II, BS-22 in office of the Auditor General of Pakistan, Islamabad, on 16th June, 2020, on regular basis in compliance with Auditor General's office Notification No. 29-Dir(A)/2-1/2019 dated 15th June, 2020.

Islamabad, the 17th June, 2020

**No. 5763/PAAS-I/18-2008(743).**—Mr. Muhammad Saeed Tiwana, a BS-19 officer of Pakistan Audit & Accounts Service has relinquished charge of the post of Director Audit, in the office of the Director General Audit, Federal Government, Islamabad on 30th April, 2020 and assumed charge of the post of Chief Finance & Accounts Officer, M/o. Information Technology & Telecommunication, Islamabad (OPS) on 30th April, 2020, in pursuance of Auditor General of Pakistan Notification No. 10-Dir(A)/2-3/2020 dated 11th March, 2020.

NADIA USMAN,  
Assistant Auditor General (PAAS).

Islamabad, the 19th June, 2020

**No. 336/Estt-C/01-2016.**—Consequent upon attaining the age of superannuation, Mr. Muhammad Amin, Audit Officer O/o. the Director General Commercial

Audit & Evaluation (North), Lahore shall stand retired from Government Service on 24th November, 2020 (his date of birth being 25th November, 1960).

SYED WASEEM ABBAS,  
Audit Officer (Establishment).

[OFFICE OF THE CONTROLLER GENERAL OF ACCOUNTS]

Islamabad, the 11th June, 2020

**No. 367/CGA/Admn-I/17-250/2019.**—The Controller General of Accounts has been pleased to assign the look after charge of the post of Director (Admn) to Mr. Jibrán Khan Durrani, ACGA (Admin) in addition to his own duties, with effect from 1st June, 2020 until further orders.

He is also authorized to sign the minutes of the Departmental promotion committee held on 20th May, 2020 regarding promotion of AAO's to AO's CGA office as nominated member of DPC CGA Head Quarter due to non availability of Director (Admin) on date.

Islamabad, the 15th June, 2020

**No. 377/CGA/Admn/38-1/2020(10).**—In pursuance of Section-13 Civil Servants Act, 1973, Mr. Munawar Ali, Accounts Officer (BS-18), Office of the Chief Accounts Officer Pakistan Post Office Department, Islamabad on attaining the age of superannuation shall stand retired from Government Service with effect from 10th April, 2021 (his date of birth 10th April, 1961).

**No. 375/CGA/Admn/38-1/2020(11).**—In pursuance of Section-13 of Civil Servants Act 1973, Mr. Muhammad Iqbal, Accounts Officer (BS-18), of office of the Chief Accounts Officer Pakistan Post Office Department, Islamabad on attaining the age of superannuation shall stand retired from Government Service with effect from 1st January, 2021 (his date of birth 1st January, 1961).

Islamabad, the 16th June, 2020

**No. 387/CGA/Admn/28-1/2020(24).**—In pursuance of Section-13 of Civil Servants Act, 1973, Mr. Allah Bachayo Jatoi, Accounts Officer (BS-18), of office of the Accountant General Sindh, Karachi, shall stand retired from Government Service with effect from 24th June, 2020 (his date of birth 24th June, 1960).

**No. 389/CGA/Admn/28-2/2020(55).**—In pursuance of Section-13 of Civil Servants Act, 1973, Mr. Muhammad Younus Khan, Divisional Accounts Officer (BS-17), of office of the Accountant General Sindh, Karachi, shall stand retired from Government Service with effect from 8th July, 2020 (his date of birth 8th July, 1960).

JIBRAN KHAN DURRANI,  
Assistant Controller General of Accounts (Admn).

Islamabad, the 16th June, 2020

Islamabad, the 17th June, 2020

**No. 394/CGA/Estt/2-C/JA/2012.**—The Deputy Controller General of Accounts has been pleased to order the temporary transfer of Syed Shujat Ali Shah, Senior Auditor from Office of the Accountant General Pakistan Revenues Islamabad to Office of the Accountant General Sindh, Karachi for further posting at District Accounts Office, Khairpur Mir's under wedlock policy, till further orders.

**No. 396/CGA/Estt/AO/FBR/2017.**—The Controller General of Accounts has been pleased to post of Mr. Arshad Rehmani, Accounts Officer (BPS-18) from office of the Controller General of Accounts, Islamabad to Directorate General of Internal Audit IRS (FBR), Islamabad, with immediate effect and till further orders.

Islamabad, the 19th June, 2020

**No. 363/CGA/Promotion/80-C/SpecialDPCs/2020.**—Consequent upon the recommendations of the Departmental Promotion Committee, the Controller General of Accounts has been pleased to promote the following Assistant Accounts Officers (BPS-17) of the office of Controller General of Accounts, Islamabad as Accounts Officers (BPS-18) with effect from the date mentioned against each:-

Sr. #	Seniority #	Name of the Officers	Date of Promotion
1	1	Noor Rahman	with effect from 20th May, 2020
2	2	Muhammad Asif	with effect from 20th May, 2020
3	3	Syed Imtiaz Hussain Shah	with effect from 20th May, 2020
4	4	Naveed Akbar	with effect from 20th May, 2020
5	5	Akhtar Ali	with effect from 20th May, 2020
6	6	Muhammad Awais	with effect from 20th May, 2020
7	7	Nawaz Ahmed Khan	with effect from 20th May, 2020
8	8	Saeed Arif Satti	with effect from 20th May, 2020
9	9	Rifat Ullah Khan	with effect from 20th May, 2020
10	10	Muhammad Wasim Jan	with effect from 20th May, 2020
11	11	Riaz Hussain	with effect from 20th May, 2020
12	12	Zaheer ud Din	with effect from 20th May, 2020
13	13	Kamran Elahi	with effect from 20th May, 2020
14	14	Muhammad Irfan Ashraf	with effect from 20th May, 2020
15	16	Adeel Ahmed	with effect from 20th May, 2020
16	17	Benazir	with effect from 20th May, 2020
17	19	Sohail Ijaz Warriach	with effect from 20th May, 2020
18	20	Hiba-tu-Saboor	with effect from 20th May, 2020
19	21	Sobia Mushtaq	with effect from 20th May, 2020

Sr. #	Seniority #	Name of the Officers	Date of Promotion
20	22	Attiya Naz	with effect from 20th May, 2020
21	23	Muhammad Mushtaq Khan	with effect from 20th May, 2020
22	24	Tauheedullah Jan	with effect from 20th May, 2020
23	26	Kazim Hussain	with effect from 20th May, 2020
24	27	Amir Muhammad Afridi	with effect from 20th May, 2020
25	28	Muhammad Rafique Zahid	with effect from 20th May, 2020
26	29	Abdul Majeed Lashari	with effect from 20th May, 2020
27	30	Safdar Abbas	with effect from 20th May, 2020
28	31	Hameedullah Khan	with effect from 20th May, 2020
29	32	Shahzada Fahad	with effect from 20th May, 2020
30	33	Syed Ishtiaq Hussain Shah	with effect from 20th May, 2020
31	34	Arsalan Matloob	with effect from 20th May, 2020
32	36	Bilal Mustafa Hashmi	with effect from 20th May, 2020

Authority: CGA orders dated 18th June, 2020

**No. 364/CGA/Promotion/80-C/SpecialDPCs/2020.**—Consequent upon the recommendations of the Departmental Promotion Committee, the Controller General of Accounts has been pleased to promote the following Assistant Accounts Officers (BPS-17) of the office of Accountant General of Pakistan Revenues, Islamabad as Accounts Officers (BPS-18) with effect from the date mentioned against each:-

Sr. #	Seniority #	Name of the Officers	Date of Promotion
1	1	Muhammad Sabir	with effect from 20th May, 2020
2	2	Shah Khalid	with effect from 20th May, 2020
3	3	Arsalan Javed	with effect from 20th May, 2020
4	4	Muhammad Kafil Rizwan	with effect from 20th May, 2020
5	5	Nousheen Zafar	with effect from 20th May, 2020
6	6	Farhan Ahmed	with effect from 20th May, 2020
7	7	Amjad Rauf	with effect from 20th May, 2020
8	8	Syed Imtiaz Ali Shah	with effect from 20th May, 2020
9	9	Muhammad Fiaz Khan	with effect from 20th May, 2020

Sr. #	Seniority #	Name of Officers	Date of Promotion
10	10	Muhammad Farhan Akram	with effect from 20th May, 2020
11	11	Muhammad Faheem Akhtar	with effect from 20th May, 2020
12	12	Muhammad Akram Awan	with effect from 20th May, 2020
13	13	Samiullah Baloch	with effect from 20th May, 2020
14	14	Imran Shaukat	with effect from 20th May, 2020
15	15	Zulfiqar	with effect from 20th May, 2020
16	16	Muhammad Samiullah	with effect from 20th May, 2020
17	18	Ghafoor Ahmed Minhas	with effect from 20th May, 2020
18	19	Muhammad Tariq	with effect from 20th May, 2020
19	20	Ghulam Hussain	with effect from 20th May, 2020
20	21	Tahir Yaseen	with effect from 20th May, 2020
21	22	Mirza Shahzad Ahmed	with effect from 20th May, 2020
22	23	Abdur Rehman	with effect from 20th May, 2020
23	25	Ajmal Hussain	with effect from 20th May, 2020
24	26	Imtiaz Ahmed	with effect from 20th May, 2020
25	27	Gul-e-Nadia	with effect from 20th May, 2020
26	28	Amir Meraj	with effect from 20th May, 2020
27	29	Shaikh Farhan Ali	with effect from 20th May, 2020
28	30	Azhar Nadeem Awan	with effect from 20th May, 2020
29	31	Sarfaraz Ahmad Sirohey	with effect from 20th May, 2020
30	32	Ansar Mahmood	with effect from 20th May, 2020
31	33	Muhammad Tariq	with effect from 20th May, 2020
32	34	Sofia Raqeeb	with effect from 20th May, 2020
33	36	Shahid Akbar	with effect from 20th May, 2020

Sr. #	Seniority #	Name of Officers	Date of Promotion
34	37	Ubaid Ur Rehman	with effect from 20th May, 2020
35	38	Imran	with effect from 20th May, 2020
36	39	Zial UI Mustafa	with effect from 20th May, 2020
37	40	Zurghan Shehzad	with effect from 20th May, 2020
38	41	Mohsin Amin	with effect from 20th May, 2020
39	42	Rana Farhan Shakir	with effect from 20th May, 2020
40	43	Sajid Hussain	with effect from 20th May, 2020
41	44	Mujeeb Alam Qazi	with effect from 20th May, 2020
42	45	Asad Mehmood Khan	with effect from 20th May, 2020
43	46	Shahid Hassan	with effect from 20th May, 2020
44	47	Muhammad Younis Tahir	with effect from 20th May, 2020
45	48	Nek Amal Khattak	with effect from 20th May, 2020
46	49	Tariq Mehmood	with effect from 20th May, 2020
47	50	Syed Amir Razman Kazmi	with effect from 20th May, 2020
48	51	Raja Majid Khan	with effect from 20th May, 2020
49	52	Rasheed Ahmed	with effect from 20th May, 2020
50	53	Aimal Khan	with effect from 20th May, 2020
51	54	Asad Hussain	with effect from 20th May, 2020
52	55	Rehan Mansoor	with effect from 20th May, 2020

**No. 365/CGA/Promotion/80-C/SpecialDPCs/2020.**—Consequent upon the recommendations of the Departmental Promotion Committee, the Controller General of Accounts has been pleased to promote the following Assistant Accounts Officers (BPS-17) of the office of Accountant General Khyber Pakhtunkhwa, Peshawar as Accounts Officers (BPS-18) with effect from the date mentioned against each:-

Sr. #	Seniority #	Name of the Officers	Date of Promotion
1	2	Ashfaq Ahmad	with effect from 20th May, 2020
2	3	Mahabat Khan	with effect from 20th May, 2020
3	4	Gul Tiaz Khan	with effect from 20th May, 2020
4	5	Najeebullah	with effect from 20th May, 2020
5	6	Niaz Muhammad	with effect from 20th May, 2020
6	7	Sayyar Ahmad	with effect from 20th May, 2020
7	9	Haroon Rasheed	with effect from 20th May, 2020
8	10	Fayaz Muhammad	with effect from 20th May, 2020
9	11	Sajjad Ahmad	with effect from 20th May, 2020
9	12	Muhammad Jehanzeb Zafar	with effect from 21st June, 2020

Authority: CGA orders dated 18th June, 2020

**No. 366/CGA/Promotion/80-C/SpecialDPCs/2020.**—Consequent upon the recommendations of the Departmental Promotion Committee, the Controller General of Accounts has been pleased to promote the following Assistant Accounts Officers (BPS-17) of the office of Accountant General Sindh, Karachi as Accounts Officers (BPS-18) with effect from the date mentioned against each:-

Sr. #	Seniority #	Name of the Officers	Date of Promotion
1	3	Zubair Ali Metlo	with effect from 20th May, 2020
2	4	Muhammad Azhar Ahmed	with effect from 20th May, 2020
3	5	Tariq Ali	with effect from 20th May, 2020
4	6	Guljee	with effect from 24th June, 2020

Authority: CGA orders dated 18th June, 2020

**No. 367/CGA/Promotion/80-C/SpecialDPCs/2020.**—Consequent upon the recommendations of the Departmental Promotion Committee, the Controller General of Accounts has been pleased to promote the following Assistant Accounts Officers (BPS-17) of the office of Director General Accounts Works, Lahore as Accounts Officers (BPS-18) with effect from the date mentioned against each:-

Sr. #	Seniority #	Name of the Officers	Date of Promotion
1	1	Nadeem Nazir	with effect from 20th May, 2020
2	2	Mazhar Khurshid	with effect from 20th May, 2020
3	3	Muhammad Bin Qasim	with effect from 20th May, 2020
4	4	Fahim Pirzada	with effect from 20th May, 2020
5	5	Naveed Liaqat	with effect from 20th May, 2020

Authority: CGA orders dated 18th June, 2020

**No. 368/CGA/Promotion/80-C/SpecialDPCs/2020.**—Consequent upon the recommendations of the Departmental Promotion Committee, the Controller General of Accounts has been pleased to promote the following Assistant Accounts Officers (BPS-17) of the office Chief Accounts Officer, Pakistan Post Office Department, Islamabad as Accounts Officers (BPS-18) with effect from the date mentioned against each:-

Sr. #	Seniority #	Name of the Officers	Date of Promotion
1	1	Shahjahan Usama	with effect from 20th May, 2020
2	2	Muhammad Asif Nadeem	with effect from 20th May, 2020
3	3	Ayesha Iftikhar	with effect from 20th May, 2020
4	4	Nadeem Ahmed	with effect from 20th May, 2020
5	5	Zulfiqar Ali	with effect from 2nd July, 2020

Authority: CGA orders dated 18th June, 2020

**No. 369/CGA/Promotion/80-C/SpecialDPCs/2020.**—Consequent upon the recommendations of the Departmental Promotion Committee, the Controller General of Accounts has been pleased to promote the following Assistant Accounts Officers (BPS-17) of the office Accountant General Pakistan Revenues (Sub Office) Peshawar as Accounts Officers (BPS-18) with effect from the date mentioned against each:-

Sr. #	Seniority #	Name of the Officers	Date of Promotion
1	1	Faiz Ahmad	with effect from 20th May, 2020
2	2	Amjadullah	with effect from 20th May, 2020
3	3	Muhammad Younas	with effect from 20th May, 2020
4	4	Farhan Akram	with effect from 1st June, 2020

Authority: CGA orders dated 18th June, 2020

**No. 370/CGA/Promotion/80-C/SpecialDPCs/2020.**—Consequent upon the recommendations of the Departmental Promotion Committee, the Controller General of Accounts have been pleased to promote the following Assistant Accounts Officers (BPS-17) of the office of Accountant General Pakistan Revenues (Sub Office) Lahore as Accounts Officers (BPS-18) with effect from the date mentioned against each:-

Sr. #	Seniority #	Name of the Officers	Date of Promotion
1	1	Mr. Khalid Masood	with effect from 20th May, 2020
2	2	Mr. Muhammad Sarfraz	with effect from 20th May, 2020

Authority: CGA orders dated 18th June, 2020

**No. 371/CGA/Promotion/80-C/SpecialDPCs/2020.**—Consequent upon the recommendations of the Departmental Promotion Committee, the Controller General of Accounts has been pleased to promote the following Assistant Accounts Officers (BPS-17) of the office of Accountant General Pakistan Revenues (Sub Office) Karachi as Accounts Officers (BPS-18) with effect from the date mentioned against each:-

Sr. #	Seniority #	Name of the Officers	Date of Promotion
1	1	Mr. Qaiseer Ismail	with effect from 20th May, 2020
2	2	Mr. Muhammad Ishtiaq	with effect from 20th May, 2020

Authority: CGA orders dated 18th June, 2020

**No. 372/CGA/Promotion/80-C/SpecialDPCs/2020.**—Consequent upon the recommendations of the Departmental Promotion Committee, the Controller General of Accounts has been pleased to promote the following Assistant Accounts Officers (BPS-17) of the office of Chief Accounts Officer, Geological Survey of Pakistan, Quetta as Accounts Officers (BPS-18) with effect from 20th May, 2020.

Sr. #	Seniority #	Name of the Officer
1	1	Mr. Abdul Sattar

Authority: CGA orders dated 18th June, 2020

**No. 373/CGA/Promotion/80-C/SpecialDPCs/2020.**—Consequent upon the recommendations of the Departmental Promotion Committee, the Controller General of Accounts has been pleased to promote the following Assistant Private Secretary (BPS-16) of office of the Accountant General of Pakistan Revenues, Islamabad as Private Secretary (BPS-17) with effect from 20th May, 2020.

Sr. #	Seniority #	Name of the Officer
1	1	Mr. Tariq Mehmood

Authority: CGA orders dated 18th June, 2020

**No. 374/CGA/Promotion/80-C/SpecialDPCs/2020.**—Consequent upon the recommendations of the Departmental Promotion Committee, the Controller General of Accounts has been pleased to promote the following Assistant Accounts Officers (BPS-17) of the office of Director Budget & Accounts Pak PWD, Islamabad as Accounts Officers (BPS-18) with effect from the date mentioned against each:-

Sr. #	Seniority #	Name of the Officers	Date of Promotion
1	1	Mr. Shakirullah Khan	with effect from 20th May, 2020
2	2	Mr. Abdul Saboor Amin	with effect from 20th May, 2020
3	3	Mr. Israr Wadood	with effect from 20th May, 2020
4	4	Mr. Zia Ur Rehman	with effect from 20th May, 2020

Authority: CGA orders dated 18th June, 2020



**No. 375/CGA/Promotion/80-C/SpecialDPCs/2020.**—Consequent upon the recommendations of the Departmental Promotion Committee, the Controller General of Accounts has been pleased to promote the following Assistant Accounts Officers (BPS-17) of the office Accountant General Punjab, Lahore as Accounts Officers (BPS-18) with effect from the date mentioned against each:-

Sr. #	Seniority #	Name of the Officers	Date of Promotion
1	3	Mr. Muhammad Aamer Hamid	with effect from 20th May, 2020
2	4	Mr. Shahzad Saqib Butt	with effect from 20th May, 2020
3	5	Mr. Mukhtar Ahmad	with effect from 20th May, 2020
4	6	Mr. Asad Iqbal	with effect from 20th May, 2020
5	7	Mr. Saifullah	with effect from 31st May, 2020
6	8	Mr. Abdul Khalil	with effect from 30th June, 2020

Authority: CGA orders dated 18th June, 2020

ROIDAR ALI,  
Accounts Officer (Promotion).

ELECTION COMMISSION OF PAKISTAN

Islamabad, the 15th June, 2020

**No. F. 3(13)/2009-Estt-I (Vol-I).**—Dr. Akhtar Nazir, a BS-21 officer of Pakistan Administrative Service, has been promoted to BS-22 *vide* Establishment Division's Notification No. F. 1/6/2020/E-5 (PAS), dated the 12th June, 2020 and allowed to remain posted as Secretary, Election Commission of Pakistan with immediate effect and until further orders.

2. He has accordingly relinquished the charge of the post of Secretary, Election Commission of Pakistan in BS-21 with effect from 12th June, 2020 and upon promotion assumed the charge of the post of Secretary, Election Commission of Pakistan in BS-22 on the same date.

3. This issues with the approval of Hon'ble Chief Election Commissioner of Pakistan.

**No. F. 15(1)/1993-Estt-I (Vol-II).**—Mr. Muhammad Raziq, a BS-20 officer of Election Commission of Pakistan, presently posted as Provincial Election Commissioner, Balochistan, is granted 23 days leave on full pay from 28th May to 19th June, 2020 alongwith suffix closed holidays falling on 20th & 21st June, 2020.

2. On expiry of leave, Mr. Muhammad Raziq is likely to assume the charge of the same post at Quetta.

3. Mr. Abdul Qayyum Shinwari, Joint Provincial Election Commissioner, Balochistan is allowed to look after the work of the office of PEC Balochistan by exercising full financial and administrative powers during leave period of above officer due to the closed of financial years 2019-2020.

4. This issues with the approval of Secretary, Election Commission of Pakistan.

**No. F. 4(9)/2020-Estt-I.**—In pursuance of this Commission's notification of even number dated the 28th May, 2020, Mr. Mehboob Ali on his re-employment for a period of two (02) years on contract basis has assumed the charge of the post of Deputy Director (Budget), in Election Commission Secretariat, Islamabad on 16th May, 2020.

Islamabad, the 16th June, 2020

**No. F. 3(2)/2020-Estt-I.**—In pursuance of this Commission's notification of even number dated the 12th June, 2020, Mr. Zia-ur-Rehman Bungush has relinquished the charge of the post of Assistant Director (BS-17) in ECP Secretariat, Islamabad on 12th June, 2020 & upon promotion, assumed the charge of the post of Staff Officer (BS-18) to the Hon'ble CEC on the same date.

Islamabad, the 17th June, 2020

**No. F. 3(1)/2020-Estt-I (1).**—Mr. Muhammad Raziq presently working as Provincial Election Commissioner, Balochistan, Quetta in own pay and scale (BS-20) is promoted to BS-21 and appointed as Provincial Election Commissioner, Balochistan, Quetta with immediate effect and until further orders.

**No. F. 3(1)/2020-Estt-I (2).**—Mr. Sharifullah presently working as Provincial Election Commissioner, Khyber Pakhtunkhwa, Peshawar in own pay and scale (BS-20) is promoted to BS-21 and appointed as Provincial Election Commissioner, Khyber Pakhtunkhwa, Peshawar with immediate effect and until further orders.

**No. F. 3(1)/2020-Estt-I (3).**—Mr. Ghulam Israr Khan presently working as Provincial Election Commissioner, Punjab, Lahore in own pay and scale (BS-20) is promoted to BS-21 and appointed as Provincial Election Commissioner, Punjab, Lahore with immediate effect and until further orders.

2. All the above officers who has been promoted will be on probation for a period of one year with effect from the date they assume charge of their posts. If no order is issued on the expiry of the first year of probation, the period of probation shall be deemed to have been extended to another year. If no order issued by the day following the termination of the extended period of probation, the appointment shall be deemed to be held by them until further orders.

3. This issues with the approval of the Hon'ble Chief Election Commissioner.

Islamabad, the 18th June, 2020

**No. F. 3(1)/2020-Estt-I.**—In pursuance of Finance Division's Office Memorandum No. F. 19(55)/Legal-II/2010-1055, dated the 23rd December, 2011, Mr. Muhammad Akthar, a BS-18 officer of Election Commission of Pakistan, presently posted as Private Secretary in the office of Hon'ble Member Election Commission-I in the Election Commission Secretariat, Islamabad, is upgraded to BS-19 and re-designated as Senior Private Secretary with effect from 12th June, 2020 as per recommendations of the Departmental Selection Board (DSB) by giving him the benefit of Establishment Division's O.M. No. 1/9/80-R-II, dated the 2nd June, 1983.

This issues with the approval of the Hon'ble Chief Election Commissioner of Pakistan.

Islamabad, the 19th June, 2020

**No. F. 3(1)/2020-Estt-I.**—In pursuance of this Commission's Notification No. F. 3(1)/2020-Estt-I (3) dated 17th June, 2020, Mr. Ghulam Israr Khan, has relinquished the charge of the post of Provincial Election Commissioner, Punjab, Lahore in own pay & scale *i.e.* BS-20 in the afternoon of 17th June, 2020 and upon promotion, assumed the charge of the post of Provincial Election Commissioner, Punjab, Lahore in BS-21 in the afternoon of the same date.

WASEEM AHMED,  
Deputy Director (Estt-I).

[OFFICE OF THE PROVINCIAL ELECTION COMMISSIONER (SINDH)]

Karachi, the 17th June, 2020

**No. F. 22(2)/1985-Estt-PEC(S).**—Mr. Hamid Hussain, Election Officer, office of the District Election Commissioner, Karachi Central is granted 30 days leave on full pay with effect from 22nd June, 2020 to 21st July, 2020.

On the expiry of leave Mr. Hamid Hussain, Election Officer, office of the District Election Commissioner, Karachi Central is likely to assume the charge of the same post and at the same station.

AHMED NADEEM SHAIKH,  
Deputy Director.

MINISTRY OF ENERGY

(Petroleum Division)

[POLICY WING]

Islamabad, the 18th June, 2020

**No. 3(12)/2010-Oil.**—Syed Shujaat Hussain Bukhari, Deputy Director (Technical)/BS-18, Directorate General (LGs), Policy Wing, Petroleum Division, Ministry of Energy is granted additional charge of the post of Deputy Director (Non-Technical)/BS-18, Directorate General (LGs) in addition to his own duties with effect from 18th May, 2020 for a period of ninety (90) days.

This issues with the approval of Secretary, Petroleum Division, Ministry of Energy.

KHALID MANSOOR,  
Deputy Director (Admin).

MINISTRY OF FEDERAL EDUCATION &  
PROFESSIONAL TRAINING

Islamabad, the 16th June, 2020

**No. F. 1-1/2020/PIFD(SD-II).**—In pursuance of Clause 16(3) of Pakistan Institute of Fashion and Design (PIFD), Lahore Act No. X of 2011, the President of Islamic Republic of Pakistan being Chancellor in terms of Clause 8 (1) of the Act *ibid* has been pleased to appoint following four Institute Teachers as Senate Members, PIFD, Lahore in term of Clause 16 (1)(h) of the *ibid* Act with effect from 19th May, 2020, the date of according of consent by the President of Pakistan:-

Sr. #	Name	Designation	Department
1.	Ms. Khadija Hassan	Assistant Professor/Acting Course Coordinator	Fashion Marketing and Merchandising
2.	Abdul Manan Khalid	Assistant Professor	Fashion Design
3.	Mr. Allah Dad	Assistant Professor	Textile Design
4.	Ms. Fatima Jabeen Iqbal	Assistant Professor	Fashion Design

IRFAN ULLAH,  
Section Officer (PT-II).

MINISTRY OF HOUSING AND WORKS

Islamabad, the 18th June, 2020

**No. F. 11(15)/90-Admn-III.**—With the approval of competent authority/Secretary (H&W), Mr. Anwar-ul-Haq, Chief Engineer (BS-20), Pak. PWD, presently working as Joint Engineering Advisor, (BS-20) in M/o. Housing and Works, is hereby assigned additional charge of the vacant post of Chief Engineer (North) (BS-20), Pak PWD. Islamabad, in addition to his own duties for a period of

one month with effect from 18th June, 2020 or till the recovery of Syed Fiaz Hussain Shah, Chief Engineer (North), who is suffering from Covid-19.

SYED ZEESHAN RAZA ZAIDI,  
Section Officer (Admn-III).

MINISTRY OF HUMAN RIGHTS

Islamabad, the 18th June, 2020

**No. F. 1(130)/19-Admn.**—In pursuance of Ministry of Human Rights Notification No. 1-68/2012-Admin, dated 11th March, 2020, Mr. Waqar Ahmed has relinquished the charge of the post of Deputy Director (BS-18), Regional Office, Human Rights, Karachi on 17th March, 2020.

MUHAMMAD KHALIL AWAN,  
Deputy Secretary (Admin).

MINISTRY OF INDUSTRIES & PRODUCTION

Islamabad, the 16th June, 2020

**No. 1(941)/2014-Admn-I.**—In pursuance of Establishment Division's Notification No. PF. 1230/2014-E-VII, dated 10th June, 2020, Mr. Muhammad Hassan, a BS-18 Officer of Office Management Group, has relinquished the charge of the post of Section Officer, Ministry of Industries & Production on 16th June, 2020.

OMER MANZOOR SHEIKH,  
Section Officer (Admn-I).

MINISTRY OF INFORMATION AND BROADCASTING

[EXTERNAL PUBLICITY WING]

Islamabad, the 5th June, 2020

**No. 1(4)/2020-EP (ISA).**—Mr. Danyal Saleem Gilani, a (BS-19), Officer of the Information Group, is posted as Press Counsellor in the Information Section, Embassy of Pakistan, Paris, (France), in his own pay and scale, with effect from the date he will assume the charge of the above post and until further orders.

Islamabad, the 11th June, 2020

**No. 1(11)/2020-EP (ISA).**—Mr. Fasih Ullah, (BS-19), a Officer of the Information Group, is posted as Press Counsellor in the Information Section, High Commission of Pakistan, Dhaka, (Bangladesh), in his own pay and scale, with effect from the date he will assume the charge of the above post and until further orders.

**No. 1(9)/2020-EP (ISA).**—Mr. Muhammad Saleem, a (BS-19), Officer of the Information Group, is posted as Press Counsellor in the Information Section, High Commission of Pakistan, Singapore, in his own pay and scale, with effect from the date he will assume the charge of the above post and until further orders.

NADEEM AHMAD KHAN,  
Assistant Director (ISA).

(National Heritage & Culture Division)

Islamabad, the 8th June, 2020

**No. F. 1(67)/2020-Admn.**—In pursuance of Rule 4 of Civil Servants (Directory Retirement from Service) Rules, 2020 *vide* S.R.O. 320(I)/2020 dated 15th April, 2020, the competent authority has been pleased to constitute the following Retirement Committees to deal with Directory Retirement cases of the employees of National Heritage & Culture Division, Islamabad.

**(A) RETIREMENT COMMITTEE FOR THE POSTS IN BS-17 TO 19:**

a	Additional Secretary or in his absence Joint Secretary (A&IC), NH&C Division	Chairperson
b	Representative of Establishment Division not below BPS-20	Member
c	Representative of Finance Division not below BPS-20	Member
d	Representative of Law and Justice Division not below Division not below BPS-20	Member
e	Head of the Department or office concerned, other than a Division	Member
f	Deputy Secretary (Admn) of NH&C Division	Secretary

**(B) RETIREMENT COMMITTEE FOR THE POSTS IN BS-01 TO 16:**

a	Senior Joint Secretary or Joint Secretary (A&IC), NH&C Division	Chairperson
b	Representative of Establishment Division not below BPS-20	Member
c	Representative of Finance Division not below BPS-20	Member
d	Representative of Law and Justice Division not below BPS-20	Member
e	Head of the Department or office concerned, other than a Division	Member
f	Deputy Secretary (Admn) of NH&C Division	Secretary

SHER ALAM KHAN,  
Section officer (Admn).

Islamabad, the 10th June, 2020

**No. 1(9)/2017-NLP.**—Consequent upon the recommendations of the Departmental Promotion Committee (DPC) held on 15th May, 2020 and with the approval of the Secretary, National Heritage & Culture Division, being the competent authority, Mr. Zahir Khan, Junior Librarian (BS-16), National Library of Pakistan (NLP), Islamabad is hereby promoted to the post of Assistant Director (BS-17) with effect from 15th May, 2020.

He will be on probation for a period of one year, extendable by further one year by order, under Section-6 of Civil Servants Act 1973 read with Rule 21 of the Civil Servants (Appointment, Promotion and Transfer) Rules 1973.

**No. 1(9)/2017-NLP.**—Consequent upon the recommendations of the Departmental Promotion Committee (DPC) held on 15th May, 2020 and with the approval of the Secretary, National Heritage & Culture Division, being the competent authority, Mr. Zahir Khan, Junior Librarian (BS-16), National Library of Pakistan (NLP), Islamabad is hereby promoted to the post of Assistant Director (BS-17) with effect from 15th May, 2020.

2. He will be on probation for a period of one year, extendable by further one year by order, under Section-6 of

Civil Servant Act 1973 read with Rule 21 of the Civil Servant (Appointment, Promotion and Transfer) Rules 1973.

**No. 1(9)/2017-NLP.**—Consequent upon the recommendations of the Departmental Promotion Committee (DPC) held on 15th May, 2020 and with the approval of the Secretary, National Heritage & Culture Division, being the competent authority, Mr. Waqar Hussain, Store Officer (BS-16), National Library of Pakistan (NLP), Islamabad is hereby promoted to the post of Assistant Director (Admn) (BS-17) with effect from 15th May, 2020.

He will be on probation for a period of one year, extendable by further one year by order, under Section-6 of Civil Servants Act 1973 read with Rule 21 of the Civil Servants (Appointment, Promotion and Transfer) Rules 1973.

Islamabad, the 15th June, 2020

**No. F. 3(5)/2015-QPF/PAL.**—In exercise of powers envisaged under Section-4 of Pakistan Academy of Letters (PAL) Act-2013, the Federal Government is pleased to constitute the Board of Governors, Pakistan Academy of Letters, Islamabad with the following composition:

S. #	Composition as per Act	Name	Designation
1	Chairman, PAL	Meritorious Prof. Dr. Muhammad Yousuf Khushk	Chairman Ex-officio
2	Joint Secretary, National Heritage and Culture Division.		Member Ex-officio
3	One Representative, not below the rank of Joint Secretary of Ministry of Finance.		Member Ex-officio
4	Representative of Higher Education Commission (HEC) (not below the rank of a BS-20 Officer)		Member
5-9	One Representative of each of the Provinces (to be nominated by the Provincial Government concerned).	1. Mr. Khalid Masood Punjab 2. Dr. Sher Muhammad Mehrani, Sindh 3. Prof. Dr. Abaseen Yousafzai, KPK 4. Dr. Zeenat Sana, Balochistan 5. Mr. Ghulam Hussain Hasnu, GB	Ex-officio Members
10-11	Two Representatives of the areas not forming part of any Province (to be nominated by name by the Minister concerned) one from Islamabad Capital Territory and one from FATA/FANA/NA by rotation)	1. Prof. Dr. Abdul Aziz Sahir, ICT Head of Urdu Department, AIOU Islamabad. 2. Mr. Ahmad Atta, AJK	Ex-officio Members
12	A man of letter of English Language to be nominated by the Minister concerned.	Dr. Muhammad Safeer Awan	Member
13	A man of letter of Urdu Language to be nominated by the Minister concerned.	Mr. Haris Khalique	Member

S. #	Composition as per Act	Name	Designation
14-21	One man of letters of each of at least six regional languages to be nominated by the Minister concerned.	1. Dr. Naveed Shahzad (Punjabi) 2. Ms. Dr. Pushpa Walibh (Sindhi) 3. Dr. Abullah Jan Abid (Pushto) 4. Dr. Fazal Khaliq, (Balochi) 5. Dr. Javed Hassan Chandio, (Saraiki) 6. Mr. Noor Muhammad Khan Hassani (Brahvi) 7. Mr. Hassan Hur (Hindko) 8. Mr. Qasim Naseem (Khawar/Shina/Balti)	Members
22	Director General, PAL	Director General	Member/Secretary

2. The terms of Members of BOG, except *ex-officio* Members, will be for three years and shall be eligible for reappointment for such terms as the Government may determine but shall cease to hold office on attaining the age of sixty-five years or the expiry of the term, whichever is earlier.

MUHAMMAD SALEEM AFZAL,  
Section Officer (Org-I).

MINISTRY OF KASHMIR AFFAIRS AND  
GILGIT-BALTISTAN

Islamabad, the 19th June, 2020

**No. 19(2)/2020-K-I.**—In pursuance of the Establishment Division's Notification No. F. 1/6/2020/E-5 (PAS) dated 12th June, 2020 Mr. Mathar Niaz Rana, a BS-21 Officer of Pakistan Administrative Services, presented posted as Chief Secretary, Azad Government of the State of Jammu and Kashmir under Ministry of KA&GB is promoted to BS-22 as Secretary to the Government of Pakistan, with immediate effect.

2. On promotion, the Officer will remain posted as Chief Secretary, Azad Government of the State of Jammu and Kashmir by up-gradating the post of Chief Secretary from BS-21 to BS-22 as personal to him, with immediate effect and until further orders. The Officer has assumed the charge of the post of Chief Secretary (BS-22), AJ&K with effect from 12th June, 2020.

HAMID MEHMOOD RANA,  
Deputy Secretary (Admn).

MINISTRY OF LAW AND JUSTICE

(Law and Justice Division)

Islamabad, the 17th June, 2020

**No. F. 2(13)/2019-A-V.**—With the approval of the competent authority, Mr. Muhammad Zulfiqar Lone, Judge Special Court (Central-I), Gujranwala, is hereby entrusted the powers of Sanctioning Authority/Drawing and

Islamabad, the 18th June, 2020

**No. F. 1(4)/2011-Admn.**—Mr. Muhammad Manan Zafar, Accounts Assistant, NH&LH Division is granted current charge of vacant post of Section Officer (F&A) with effect from 11th June, 2020 for a period of three months or till arrival of a regular incumbent whichever is earlier. He shall be allowed Special Pay at the prescribed rate per month as admissible under the rules/instruction.

This issues with the approval of the PAO/Secretary, National Heritage & Culture Division.

AMANULLAH,  
Section Officer (Admn).

MINISTRY OF INTER PROVINCIAL COORDINATION

(IPC Division)

Islamabad, the 16th June, 2020

**No. F. 1(616)/2017-Admn.**—With the approval of competent authority *i.e.* Secretary, IPC, Mr. Junaid Alam, Section Officer (Admn-I) (BS-17) is allowed to hold additional charge of the post of Section Officer (T&R) in addition to his own duties with effect from 2nd June, 2020 for a period of three months (90-days) or till the availability of a regular incumbent, whichever is earlier for which he would be entitled to additional remuneration as admissible under he rule.

MUHAMMAD ZEESHAN,  
Section Officer (Admn-I).

Disbursing Officer in respect of Special Court (Central-II), Gujranwala with immediate effect till appointment of regular Judge, Special Court (Central-II), Gujranwala.

**No. F. 7(28)/2017-A-V.**—With the approval of the competent authority, Mr. Suresh Kumar, Judge Special Court (Central), Hyderabad is hereby entrusted the powers of Controlling Officer/Sanctioning Authority in respect of Accountability Court, Hyderabad with immediate effect till appointment of regular Judge, Accountability Court, Hyderabad.

Islamabad, the 19th June, 2020

**No. F. 3(10)/2015-A-V.**—In exercise of powers conferred by section 5 (g) and (h) of National Accountability Ordinance, 1999 (XVIII of 1999), the President of Islamic Republic of Pakistan has been pleased to appoint following District and Sessions Judges as Judges Accountability Courts mentioned against each on deputation basis for a period of three years, in their own pay and scale or until further orders, from the dates they assume the charge of the posts:-

S. #	Name of Judge	Appointed as
1.	Mr. Muhammad Akmal, D&SJ	Judge, Accountability Court-III, Lahore
2.	Mr. Sajjad Ahmad, D&SJ	Judge, Accountability Court-IV, Lahore
3.	Mr. Safdar Iqbal, D&SJ	Judge, Accountability Multan

2. The appointment of the above Judges shall be governed by the relevant provisions of the aforesaid Ordinance and terms and conditions prescribed in the Law and Justice Division's Letters No. 1 (2)/2000-A.V dated 26th September, 2001 and 15th December, 2001.

MUHAMMAD KAMRAN,  
Section Officer (A.V).

Islamabad, the 17th June, 2020

**No. F. 7(1)/2013-A-III.**—With the approval of the competent authority, the additional charge of the vacant post of Presiding Officer, Special Court (Offences in Banks), Islamabad is hereby entrusted to Mr. Muhammad Azam Khan, Judge Accountability Court-II, Islamabad in addition to his own duties, alongwith DDO powers with effect from the date of assumption of his charge for a period of three months or till the appointment of regular incumbent whichever is earlier, along with additional charge allowance as admissible under the Rules.

MUHAMMAD RAZAULLAH LAKHO,  
Section Officer (A-III).

Islamabad, the 18th June, 2020

**No. F. 15(1)/2017-Sol.IV(Vol-II).**—Consequent upon approval of the Prime Minister of Pakistan, Ms. Amber Lakhani, Advocate is appointed as Consultant (MP-II) in

the Office of Attorney General for Pakistan, Islamabad on contract basis for an initial period of one year with immediate effect on standard terms and conditions.

ASHEEM A. K. SHERWANI,  
Superintendent.

Islamabad, the 17th June, 2020

**No. F. 2(69)/2018-A-IV.**—With the approval of the competent authority, Mr. Allah Dad, Judge Accountability Court-II, Quetta has been appointed as Controlling Officer and Drawing and Disbursing Officer (DDO) in respect of bills, pay, T.A. Bills and all other bills of contingent expenditures of the Customs Appellate Tribunal, Quetta.

**No. F. 9(4)/2015-A-IV.**—The competent authority has been pleased to entrust the additional charge of the post of Presiding Officer, Intellectual Property, Tribunal, Karachi to Mr. Khalid Tipu Rana, Judge, Banking Court-II, Karachi with immediate effect for a period of three months or till the posting of a regular incumbent, whichever is earlier.

The officer will be entitled for additional charge Allowance as per rules.

FAISAL MALIK,  
Section Officer (A-IV).

[LAW AND JUSTICE COMMISSION OF PAKISTAN]

Islamabad, the 19th June, 2020

**No. F. 14/119/94/LJC-A-I.**—The Hon'ble Chief Justice of Pakistan/Chairman, Law and Justice Commission of Pakistan (LJCP) has been pleased to constitute the Departmental Selection/Promotion Committee consisting the following for making recommendations for appointments to the posts in BPS-16 to 20 in the LJCP Secretariat as provided under Rule 8 of the Law and Justice Commission of Pakistan (Terms and Conditions of Service) Rules, 1992:-

(i)	Hon'ble Mr. Justice Mushir Alam, Judge, Supreme Court of Pakistan.	Chairman
(ii)	Hon'ble Mr. Justice Umar Ata Bandial, Judge, Supreme Court of Pakistan.	Member
(iii)	Hon'ble Mr. Justice Mian Shakirullah Jan, Former Judge Supreme Court of Pakistan/Member LJCP.	Member
(iv)	The Registrar, Supreme Court of Pakistan, Islamabad.	Member
(v)	The Secretary, Ministry of Law and Justice, Islamabad.	Member
(vi)	The Secretary, Law and Justice Commission of Pakistan, Islamabad.	Member

ADNAN RASOOL LARIK,  
Deputy Secretary (Admin).

MINISTRY OF NATIONAL HEALTH SERVICES,  
REGULATIONS & COORDINATION

Islamabad, the 15th June, 2020

**No. F. 11(10)/2017-Admn-I.**—Mrs. Sobia Irfan, Social Scientist (BS-18), Ministry of National Health Services, Regulations and Coordination (NHSR&C) has assumed the charge of the post of Social Scientist (BS-18) with effect from 18th May, 2020 after availing 120 days leave on full pay.

ASGHAR ALI,  
Deputy Secretary (Admn).

Islamabad, the 17th June, 2020

**No. F. 1-23/2018-FMDC-H-III.**—Consequent upon her appointment against the post of Assistant Professor (Pathology) (BS-18), Pakistan Institute of Medical Sciences (PIMS), Islamabad under M/o. NHSR&C *vide* Memorandum No. F. 2-139/2018-Estab-III dated 7th May, 2020, and with the approval of competent authority *i.e.* Secretary M/o. NHSR&C, Dr. Saman Waqar, Demonstrator (BS-17) (on contract), Federal Medical & Dental College, Islamabad is relieved from her duties to join her new assignment as Assistant Professor (Pathology) (BS-18) Pakistan Institute of Medical Sciences, (PIMS) Islamabad, with immediate effect.

SHOAIB HASAN,  
Section Officer (E-V).

Islamabad, the 15th June, 2020

**No. F. 1-23/2014-Admn-I.**—Syed Zulqurnain Kazmi, Chief Statistical Officer (BS-18), Ministry of National Health Services, Regulations and Coordination (NHSR&C) has assumed the charge of the post of Chief Statistical Officer (BS-18) with effect from 29th May, 2020 after availing 180 days Extra Ordinary Leave (without pay) with effect from 1st December, 2019 to 28th May, 2020.

ZUHAIB HASSAN SHAIKH,  
Section Officer (Admn-I).

[DRUG REGULATORY AUTHORITY OF PAKISTAN]

Islamabad, the 11th June, 2020

**No. PF. 49-WA/Admn-I.**—In pursuance of Drug Regulatory Authority of Pakistan's notification of even number dated 20th May, 2020, Mr. Waqar Ahmed, Assistant Director (RO-12), Pharmacy Services Division, Drug Regulatory Authority of Pakistan, Islamabad was granted 09 days leave with full pay (LFP) with effect from 28th May, 2020 to 5th June, 2020.

After availing the said leave, the officer has resumed his duties with effect from 8th June, 2020 on the same post and at the same station (Being public holidays on 6th June, 2020 & 7th June, 2020).

**No. PF. 127-SHD/Admn-I.**—In pursuance of Drug Regulatory Authority of Pakistan's notification of even

number dated 20th May, 2020, Mr. Shafqat Hussain Danish, Assistant Director (RO-12), Pharmacy Services Division, Drug Regulatory Authority of Pakistan, Islamabad was granted 09 days leave with full pay (LFP) with effect from 28th May, 2020 to 5th June, 2020.

After availing the said leave, the officer has resumed his duties with effect from 8th June, 2020 on the same post and at the same station (Being public holidays on 6th June, 2020 & 7th June, 2020).

**No. PF. 87-STHS/Admn-I (Vol-II).**—Syed Tasaduq Hussain Shah, Superintendent (BS-16), Administration HR & Logistic Division, Drug Regulatory Authority of Pakistan, Islamabad has been granted 40 days leave with full pay (LFP) with effect from 15th June, 2020 or from the date of availing with permission to leave the station.

2. After expiry of said leave, the officer concerned is expected to resume duty on the same post and at the same station.

3. During the leave period, Mr. Muhammad Arshad, Assistant, Admn-III Section, Administration HR & Log Division, Drug Regulatory Authority of Pakistan is assigned to look after the official work of Syed Tasaduq Hussain Shah, Superintendent in addition to his own duties.

4. This issues with the approval of competent authority.

Islamabad, the 12th June, 2020

**No. PF. 59-MA/Admn-I.**—Mr. Muhammad Ashfaq, Assistant Director (RO-12), Quality Assurance & Laboratory Testing Division, Drug Regulatory Authority of Pakistan, Islamabad has been granted 12 days leave with full pay (LFP) with effect from 8th June, 2020 to 19th June, 2020 with permission to leave the station.

After expiry of said leave, the officer concerned is expected to resume his duty on the same post and at the same station.

This issues with the approval of competent authority.

HAMZA ZUBAID MALIK,  
Assistant Director (Admn-I).

MINISTRY OF OVERSEAS PAKISTANIS AND HUMAN  
RESOURCE DEVELOPMENT

Islamabad, the 19th June, 2020

**No. PF. 1(11)/2019-Admn-I.**—In pursuance of Establishment Division's Notification No. 41/472/2016-E-I, dated 18th June, 2020, Mr. Aamir Hasan, Secretary (BS-22) has relinquished the charge of the post of Secretary, Ministry of Overseas Pakistanis and Human Resource Development on 19th June, 2020.

**No. PF. 1(12)/2017-Admn-I.**—In pursuance of Establishment Division's Notification No. F. 41/479/2017-E-I, dated 18th June, 2020, Dr. Muhammad Hashim Popalzai, a BS-22 Officer of Secretariat Group, has assumed charge of the post of Secretary (BS-22),

Ministry of Overseas Pakistanis and Human Resource Development on 19th June, 2020.

SAQIB ALI KHAN,  
Section Officer (Admn-I).

---

MINISTRY OF PRIVATISATION

[PRIVATISATION COMMISSION]

Islamabad, the 17th June, 2020

**No. F. 1(2)Admn/PC/2020.**—In pursuance of Establishment Division's Notification No. F. 39/979/2013-E-I, dated 1st June, 2020, Mr. Muhammad Khursheed, a BS-20 officer of Secretariat Group, has assumed charge of the post of Executive Director General (PC-21), Privatisation Commission, Ministry of Privatisation, Islamabad, under Section 10 of Civil Servants Act, 1973, with effect from 1st June, 2020.

SHAHZAD ASIF,  
Deputy Secretary (Admin).

---

MINISTRY OF RAILWAYS

[RAILWAY BOARD]

Islamabad, the 17th June, 2020

**No. 6/3-3/2020-A-I** .—Mr. Abdul Hameed Razi, a BS-22 officer (recently promoted) of Railways (Commercial & Transportation) Group, presently working as Managing Director/PRACS, Rawalpindi was transferred and posted as Chief Executive Officer, Pakistan Railways Freight Transportation Company/(PRFTC), Lahore *vide* this office notification of even number dated 12th June, 2020 which is hereby withdrawn *ab initio*. Mr. Nisar Ahmad Memon, Additional General Manager/Infrastructure, Pakistan Railways, Headquarters Office, Lahore will continue to look-after the charge of the post of Chief Executive Officer/PRFTC in addition to his own duties till further orders.

This issues with the approval of Secretary/Chairman Railways.

Islamabad, the 18th June, 2020

**No. T-II/2005/PVT-1 (C-I).**—The competent authority (Secretary/Chairman Railways) has been pleased to approve that with immediate effect and till further orders, Chief Executive Officer/Pakistan Railways Freight Transportation Company (PRFTC) (by designation) is nominated as Head of the Project Management Office (PMO) (Track Access Management Office) in addition to his/her own duties.

ASJID RASHID MIRZA,  
Deputy Director/Admn-I.

Islamabad, the 18th June, 2020

**No. Admn-IV/1699-P.**—In supersession of this Ministry's Notification No.6/3-3/2020-A-I dated May 18, 2020 under

which the services of Mr. Asad Farooq Chishti, a BS-19 officer of Mechanical Engineering Department, while working as Deputy Chief Mechanical Engineer/Traction Motors, Pakistan Railways, Headquarters Office, Lahore were placed at the disposal of Ministry of Railways, Islamabad on special tasks/assignments under supervision of the Secretary Railway Board, Ministry of Railways, by utilizing the vacant post of closed/wound-up Director/Vigilance, Ministry of Railways, Islamabad, are hereby withdrawn void *ab initio*.

This issues with the approval of Secretary/Chairman Railways.

FAHEEM AHMAD MALIK,  
Assistant Director/Admn-IV.

Islamabad, the 18th June, 2020

**No. FW/EF/2016/NO-1/2.**—Member Finance has been pleased to approve the look after charge of the post of Assistant Director/Confdl. Ministry of Railways Islamabad, in favor of Mr. Saleem-Ullah-Khan Assistant Accounts Officer/Project Ministry of Railways (Railway Board), Islamabad.

SIKANDAR IQBAL,  
Deputy Director/Budget-II.

---

MINISTRY OF SCIENCE & TECHNOLOGY

Islamabad, the 12th June, 2020

**No. 3(13)/2017-Estt-II.**—With the approval of Additional Secretary, Ministry of Science and Technology, Mr. Munir-ud-Din, Private Secretary (BS-17) of this Ministry is hereby granted 26 days leave on full pay with effect from 15th June, 2020 to 10th July, 2020.

SHAKIL ARSHAD,  
Deputy Secretary (Admn).

Islamabad, the 18th June, 2020

**No. 23(3)/2002-Org-II/PCRET.**—Mr. Muhammad Iqbal, Private Secretary to DG (BS-17), PCRET a permanent employee of Pakistan Council of Renewable Energy Technologies (PCRET), Islamabad has retired on 14th June, 2020 (A.N) from Government Service on attaining the age of superannuation (60 years).

SAQIB MANZOOR,  
Section Officer.

---

NATIONAL ASSEMBLY SECRETARIAT

Islamabad, the 16th July, 2020

**No. G(572)/Estt.I(117).**—In continuation of this Secretariat's Notification No. G(572)/Estt.I (111) dated 2nd July, 2020 Mr. Khizer Hayat, Protocol Officer (BS-16)



is granted permission to return to duty with effect from 10th July, 2020 after availing 4 days LFP. His remaining 15 days LFP is curtailed.

This issues with the approval of competent authority.

MUHAMMAD FAROOQ,  
Section Officer.

---

SENATE SECRETARIAT

Islamabad, the 15th July, 2020

**No. M(261)/90-HRM (86).**—The competent authority has been pleased to suspend Mr. Habib Ullah Khan Marwat, Superintendent (Transport BPS-17), under rule 5(1)(i) of the Government Servants (Efficiency and Discipline) Rules, 1973, for a period of three months in the Senate Secretariat, Islamabad with immediate effect.

This issues with the approval of the Chairman Senate.

MALIK ARSHAD IQBAL,  
Deputy Secretary/Authorized Officer.

Islamabad, the 13th July, 2020

**No. G(126)/2005-HRM (84).**—The competent authority has been pleased to terminate the probation period of Mr. Hafeezullah Sheikh, Additional Secretary (BPS-21), Senate Secretariat, Islamabad, with effect from 7th September, 2019.

**No. G(196)/2012-HRM (85).**—In supersession of this Secretariat's Notification No. G(196)/2012-HRM (58), dated 16th March, 2020, Ms. Shazia Iqbal, Deputy Director (Interpretation) (BPS-18) is granted, subject to title, 5 days leave on full pay with effect from 13th March, 2020.

After expiry of the leave, she has resumed duty of the same post at Islamabad on 18th March, 2020.

Islamabad, the 14th July, 2020

**No. G(173)/2009-HRM (88).**—The competent authority has been pleased to terminate the probation period of Mr. Mubashir Ali Shah, Deputy Director (Editing) (BPS-18), Senate Secretariat, Islamabad, with effect from 10th May, 2020.

**No. M(600)/2008-HRM (87).**—Mr. Zahir Akhtar, Assistant Director, Library (BPS-17), Senate Secretariat, Islamabad is granted subject to title 40 days leave on full pay with effect from 13th July, 2020 with permission to prefix Saturday and Sunday falling on 11th & 12th July, 2020 and suffix Saturday and Sunday falling on 22nd and 23rd August, 2020, respectively to the leave.

After expiry of the leave, he is expected to resume duty of the same post at Islamabad.

ZAHOOR AHMED,  
Section Officer (HRM-I).

Islamabad, the 15th July, 2020

**No. G(257)/2017-HRM (89).**—The competent authority has been pleased to terminate the probation period of Ms. Shahdab Sehar, Assistant Protocol Officer (BS-16), Senate Secretariat, Islamabad, with effect from 17th July, 2020.

Islamabad, the 16th July, 2020

**No. M(498)/2006-HRM (91).**—Mr. Faraz Humayun, Superintendent (BS-16), Senate Secretariat, Islamabad is granted 12 days leave on full pay with effect from 27th July, 2020 with permission to prefix & suffix Saturdays & Sundays falling on 25th & 26th July, & 8th & 9th August, 2020, respectively to the leave.

After expiry of the leave, he is likely to resume duty of the same post at Islamabad.

SADIA AMIR,  
Section Officer (HRM-II).

---

SUPREME COURT OF PAKISTAN

Islamabad, the 10th July, 2020

**No. F. 24/476/93-SCA.**—Mr. Pervaiz Iqbal, Assistant Registrar (BS-19) of this Court is granted twenty-five (25) days Leave on full pay with effect from 8th June, 2020 to 2nd July, 2020 on medical grounds, subject to verification of title of his leave account by the AGPR, Islamabad.

A. SHABBIR KHAN KHATTAK,  
Deputy Registrar (Admn).

Islamabad, the 10th July, 2020

**No. F. 24/571/1999-SCA.**—Mr. Muhammad Safdar Mahmood, Assistant Registrar (BS-19) of this Court is granted five (05) days' Leave on full pay with effect from 16th June, 2020 to 20th June, 2020 on medical grounds, subject to verification of title of his leave account by the AGPR, Islamabad.

**No. F. 24/695/2006-SCA.**—Mr. Muhammad Sohail Iqbal Jami, Senior Court Associate (BS-19) of this Court is granted thirty-four (34) days' Leave on full pay with effect from 3rd June, 2020 to 6th July, 2020 on medical grounds, subject to verification of title of his leave account by the AGPR, Islamabad.

Islamabad, the 14th July, 2020

**No. F. 24/667/05-SCA.**—Mr. Abdul Sattar, Stenotypist (BS-16) of this Court is granted fifteen (15) days' Leave on full pay with effect from 18th June, 2020 to 24th June, 2020 and 2nd July, 2020 to 9th July, 2020 on medical grounds, subject to verification of title of his leave account by the AGPR, Islamabad.

PERVAIZ IQBAL,  
Assistant Registrar (Admn).

# The Gazette of Pakistan

PUBLISHED BY AUTHORITY

KARACHI, WEDNESDAY, JULY 29, 2020

## PART II

### Notifications issued by Ministry of Defence and Ministry of Defence Production

Karachi, the 29th July, 2020

MINISTRY OF DEFENCE

(Defence Division)

**No. 335/2020 :**

Mr. Ghulam Zakaria, APS (BPS-16), Ministry of Defence (Defence Division), Rawalpindi has opted not to avail LPR which is due to him for a period of 365 days commencing from 6th June, 2020 to 5th June, 2021. He will be entitled to encashment of LPR for a maximum period of 365 days.

Vehicles Research & Development Establishment, with immediate effect :-

1. Mr. Shair Ali Shigri, GSO-III (Civ.) (BPS-17).
2. Mr. Muhammad Tariq, Research Officer (BPS-17).

[No. 4/21/DP-9/2018].

**No. 337/2020 :**

Mr. Ghulam Zakaria, APS (BPS-16), Ministry of Defence (Defence Division), Rawalpindi shall stand retired from Government Service, with effect from 5th June, 2021.

PA-29521 Brig. Umer Haider Bokhari, SI(M), has been appointed as Colonel of the Regiment of 17 Lancers with effect from 23rd April, 2020.

[No. 3/1/D-2(A-II)/2020].

[No. 1/214/D-32(Admin-III)/2020].

**No. 338/2020 :**

**No. 336/2020 :**

The Competent Authority has been pleased to terminate the probation of following officers of Military

PA-27761 Major General Usman Haq, HI(M) has been appointed as Colonel Commandant Army Service Corps, with effect from 16th April, 2020.

[No. 3/4/D-2(A-II)/2020].

**No. 339/2020 :**

The names of following Officers have been changed as under :-

For	Read
PA-24213 Maj. Gen. Mushtaq Ahmad Faisal	PA-24213 Maj. Gen. Mushtaq Ahmed Faisal
PA-24219 Maj. Gen. Mohammad Tayyab Azam	PA-24219 Maj. Gen. Muhammad Tayyab Azam

For	Read
PA-29624 Brig. Khalid Hassan Butt	PA-29624 Brig. Khalid Hasan Butt
PA-29685 Brig. Maqbool Ahmad Butt	PA-29685 Brig. Maqbool Ahmed Butt
PA-29795 Brig. Zafeer Zaman	PA-29795 Brig. Zafeer Zaman Butt
PA-30730 Brig. Amer Abbas	PA-30730 Brig. Chaudry Aamer Abbas
PA-29384 Brig. Faisal Ahmad Khan	PA-29384 Brig. Faisal Ahmed Khan
PA-32300 Col. Javed Mughal	PA-32300 Col. Muhammad Jawed Mughal
PA-36397 Col. Muhammad Naeem Akbar	PA-36397 Col. Chaudhry Muhammad Naeem Akbar
PA-40530 Lt. Col. Omer Ramzan Cheema	PA-40530 Lt. Col. Chaudhry Omer Ramzan Cheema
PA-33729 Lt. Col. Imran Majeed	PA-33729 Lt. Col. Imran Majeed Khan
PA-34914 Lt. Col. Ahmad Nawaz	PA-34914 Lt. Col. Ahmed Nawaz
PA-39052 Lt. Col. Saif Ullah	PA-39052 Lt. Col. Saif Ullah Khan Niazi
PA-34483 Lt. Col. Fawad Afzal	PA-34483 Lt. Col. Fawad Afzal Khan
PA-37963 Lt. Col. Babar Khalil	PA-37963 Lt. Col. Baburr Khalil
PA-35369 Lt. Col. Shahab Bari	PA-35369 Lt. Col. Raja Shahab Bari
PA-39546 Lt. Col. Muhammad Hassan Kamran	PA-39546 Lt. Col. Muhammad Hassan Kamran Mirza
PA-39677 Lt. Col. Dilawar Khan	PA-39677 Lt. Col. Dilawar Khan Gul Yousafzai
PA-34431 Lt. Col. Bilal Ahmad	PA-34431 Lt. Col. Ch. Bilal Ahmed Warraich
PA-39754 Lt. Col. Mohammad Kashif	PA-39754 Lt. Col. Muhammad Kashif
PA-38748 Lt. Col. Arif Rafique	PA-38748 Lt. Col. Arif Rafique Rana
PSS-105287 Maj. Farhat Khalil	PSS-105287 Maj. Farhat Faisal
PA-35128 Maj. Rashid Aleem Ahsen	PA-35128 Maj. Rashid Aleem Ahsan
PA-34568 Maj. Tanveer Ahmad Sapra	PA-34568 Maj. Tanveer Ahmed Sapra
PA-36311 Maj. Umar Farooq	PA-36311 Maj. Umer Farooq
PA-59673 Capt. Saad Ali	PA-59673 Capt. Saad Ali Khan
PSS-114792 Capt. M. Yasir Ishaque	PSS-114792 Capt. Muhammad Yasir Ishaque

**No. 340/2020 :**

6 Officers have been promoted to the substantive temporary promotion of Major, with effect from dates as shown against their names :-

S. No.	Army No., Rank and Name	Date of Prom.
1.	DSSC-48318 Capt. Zafar Ali, RV&FC.	23rd May, 2020
2.	DSSC-48319 Capt. Salman Mahmood, RV&FC.	23rd May, 2020
3.	DSSC-48320 Capt. Khalid Mahmood, RV&FC.	23rd May, 2020
4.	DSSC-48321 Capt. Adnan Mukhtar, RV&FC.	23rd May, 2020
5.	DSSC-48322 Capt. Shoaib Ahmad, RV&FC.	23rd May, 2020
6.	DSSC-48324 Capt. Muhammad Usman Bashir, RV&FC.	23rd May, 2020

[No. F.3/3/D-2(A-II)/2020].

**No. 341/2020 :**

1 Officer has been promoted to the substantive temporary promotion of Major, with effect from date as shown against his name :-

S. No.	Army No., Rank and Name	Date of Prom.
1.	DSSC-48325 Capt. Tahir Mahmood, RV&FC.	23rd May, 2020

[No. F.3/3/D-2(A-II)/2020].

**No. 342/2020 :**

Following 10 officers have been promoted to the substantive/substantive temporary rank of Major, with effect from date as shown against their names :-

S. No.	Army No., Rank and Name	Date of Prom.
1.	PSS-104857 Capt. Rifaqat Arshad, AMC.	27th Nov., 2019
2.	PSS-105142 Capt. Muhammad Ali Jumani, AMC	27th Nov., 2019

S. No.	Army No., Rank and Name	Date of Prom.
3.	PSS-105304 Capt. Saleem Jan, AMC	27th Nov., 2019
4.	PSS-105512 Capt. Samina Rashid, AMC	27th Nov., 2019
5.	PSS-105686 Capt. Imran Ullah Khan, AMC	27th Nov., 2019
6.	PA-105804 Capt. Farhat Mehmood, AMC	27th Nov., 2019
7.	PSS-105828 Capt. Mian Rashid Nisar, AMC	27th Nov., 2019
8.	PSS-105830 Capt. Waqas Ahmad, AMC	27th Nov., 2019
9.	PSS-105832 Capt. Muhammad Umair Khan, AMC	27th Nov., 2019
10.	PSS-105845 Capt. Khursheed Ahmed, AMC	24th Jan., 2020

[No. F.3/3/D-2(A-II)/2020].

IKRAM UL HAQ, *Lt. Gen. (Retd.)*,  
Secretary.

---

**MINISTRY OF DEFENCE PRODUCTION**
**No. 343/2020 :**

In pursuance of Establishment Division's Notification No. F. 4/34/2016-E-VII, dated 5th August, 2016, Mr. Basharat Ali Khan, Accounts Officer (BPS-18), Pakistan Military Accounts Department has relinquished the charge of the post of Section Officer (BPS-18), Ministry of Defence Production, Rawalpindi, with effect from 2nd June, 2020.

[No. 2/7/2016/DP-2].

MUHAMMAD MOOSA,  
Section Officer.

# The Gazette of Pakistan

PUBLISHED BY AUTHORITY

KARACHI, WEDNESDAY, JULY 29, 2020

## PART III

Notifications issued by the High Courts, the Federal Public Service Commission and by the Attached and Subordinate Offices of the Government of Pakistan.

APPELLATE TRIBUNAL INLAND REVENUE

(Headquarters)

Islamabad, the 1st April, 2020

**No. F.1-ATP/HQ/(Ad)/2020.**—In pursuance of Law & Justice Division Islamabad's Notification No. F.1(39)/2015-A-IV, dated 28th February, 2020, on her promotion as Private Secretary (BS-17), Ms. Ashfa Mushtaq, has relinquished the charge of the post of Assistant Private Secretary (BS-16), Appellate Tribunal Inland Revenue, Bench-I, Lahore, on 12th March, 2020 (A.N.).

This is being issued with the approval of the Hon'ble Chairman, ATIR.

**No. F.1-ATP/HQ/(Ad)/2020.**—In pursuance of Law & Justice Division Islamabad's Notification No. F.1(39)/2015-A-IV, dated 28th February, 2020, on her promotion as Private Secretary (BS-17), Ms. Ashfa Mushtaq, has assumed the charge of the post of Private Secretary (BS-17), Appellate Tribunal Inland Revenue, Peshawar Bench, Peshawar, on 19th March, 2020 (A.N.).

This is being issued with the approval of the Hon'ble Chairman, ATIR.

**No. F.1-ATP/HQ/(Ad)/2020.**—With the approval of the Hon'ble Chairman, ATIR, Mr. Muhammad Asghar, Assistant Private Secretary (BS-16), Appellate Tribunal Inland Revenue, Islamabad has been granted 06 days leave on full pay, with effect from 20th March, 2020 to 25th March, 2020, on medical grounds.

ABDUL RASHEED UJJAN,  
Assistant Registrar (Admn.).

AHK NATIONAL CENTRE FOR RURAL DEVELOPMENT

Islamabad, the 14th April, 2020

**No. F. 5(154)/85-Admin/12832.**—Consequent upon the recommendations of the Departmental Selection Board (DSB), and approval of the Secretary, Establishment Division, Dr. Abdul Rehman Khan Niazi, Deputy Director (BS-18) is promoted to the post of Director (BS-19), AHKNCRD, with effect from 4th May, 2020.

The officer will be on probation for a period of one year in terms of Rule 21 of Civil Servant (Appointment, Promotion and Transfer) Rules, 1973.

FAROOQ SHAHZAD,  
Deputy Director (HR).

ANTI-DUMPING APPELLATE TRIBUNAL

Islamabad, the 16th April, 2020

**No. F. 1(13)/2012-Admn/1203.**—The Hon'ble Chairman has been pleased to allow current charge of the post of Private Secretary (BPS-17) to Mr. Mudaser Hussain Saqib, Assistant Private Secretary (BPS-16), with effect from April 14, 2020 to July 13, 2020. As per Rules the current charge appointment to higher post, special pay shall be admissible at the rate of 20% of basic pay subject to maximum of Rs. 6,000/- p.m.

SANAULLAH KHAN,  
Registrar.

BUREAU OF EMIGRATION AND OVERSEAS  
EMPLOYMENT

Islamabad, the 23rd April, 2020

**No. BE(Admn-Estt)2(212)/84/2436.**—Bureau of Emigration and Overseas Employment announces with deep regret the sad and untimely demise of Mr. Ali Muhammad Solangi, Superintendent (BS-17) of this Department on 16th April, 2020.

2. Mr. Ali Muhammad Solangi was born on 9th December, 1960. He joined Government service on 15th January, 1984 as LDC in Bureau of Emigration and Overseas Employment.

3. Bureau of Emigration and Overseas Employment wishes to place on record its appreciation for the dedicated services rendered by the deceased. In expressing its deep sense of grief at his death and this Bureau conveys its sympathy to the members of the bereaved family. May his soul rest in eternal peace, Ameen.

4. This issues with the approval of Director General, BE&OE.

MUHAMMAD ISRAR,  
Assistant Director (Estt.)

---

CENTRAL DIRECTORATE OF NATIONAL SAVINGS

Islamabad, the 3rd March, 2020

**No. F. 8(30)Admn-II/86.**—Mr. Muhammad Israr, National Savings Officer (BS-17), Regional Directorate of National Savings, Peshawar shall stand retired from Government service on 4th May, 2020 on attaining the age of superannuation (his date of birth is 5th May, 1960).

In terms of Section 18-A (I) of the Revised Leave Rules 1980, read with Finance Division's SRO No. 70(KE)/2012, dated 29th August, 2012 and O.M. dated 28th January, 2013, the competent authority has also approved 365 days leave encashment in lieu of LPR in respect of above named officer. Leave pay for the purpose of encashment of LPR shall be computed on the basis of pay and allowances reckonable towards pension as shown in his last pay certificate.

**No. F. 8(38)Admn-I/2000.**—Mr. Khalid Hussain, National Savings Officer (BS-17) Regional Directorate of National Savings, Gujranwala, shall stand retired from Government service on 7th March, 2020 on attaining the age of superannuation (his date of birth is 8th March, 1960).

In terms of Section 18A (I) of the Revised Leave Rules 1980, read with Finance Division's SRO No. 70(KE)/2012, dated 29th August, 2012 and O.M. dated 28th January, 2013, the competent authority has also approved 365 days leave encashment in lieu of LPR in respect of above named officer. Leave pay for the purpose of encashment of LPR shall be computed on the basis of pay and allowances reckonable towards pension as shown in his last pay certificate.

Islamabad, the 6th March, 2020

**No. F. 6(1)Admn-II/90-XIV.**—In exercise of the powers delegated to the Head of the Department *vide* Establishment Division's O.M. No. 1/21/76-AR-R-II, dated 18th June, 1980, Director General, Central Directorate of

National Savings, Islamabad has been pleased to appoint Mr. Zaheer Abbas, Assistant Director (BS-18) (Vigilance & Monitoring), Central Directorate of National Savings (CDNS), Islamabad, as Joint Director (BS-19) (Vigilance & Monitoring), CDNS, Islamabad, on current charge basis, with immediate effect, for a period of three months or till posting of Joint Director (BS-19), on regular basis, whichever is earlier.

He will draw pay in his own scale as BS-18 officer plus additional pay equal to 20% of his scale of pay, subject to maximum of Rs. 12,000/- per month, in terms of FR-35 and provision to section 17 of the Civil Servants Act, 1973 read with Finance Division's O.M. No. F.1(2)Imp/2016-333, dated 1st July, 2016.

Islamabad, the 12th March, 2020

**No. F. 1(43)Admn-II/2006-II.**—Mr. Rab Nawaz, Assistant Director (BS-18), Regional Directorate of National Savings, Abbottabad shall stand retired from Government service on 19th March, 2020 on attaining the age of superannuation (being date of birth as 20th March, 1960).

In terms of Section 18-A (I) of the Revised Leave Rules 1980, read with Finance Division's SRO No. 70(KE)/2012, dated 29th August, 2012 and O.M. dated 28th January, 2013, the competent authority has also approved 365 days leave encashment in lieu of LPR in respect of above named officer. Leave pay for the purpose of encashment of LPR shall be computed on the basis of pay and allowances reckonable towards pension as shown in his last pay certificate.

ASIM MUSHTAQ,  
Assistant Director (HR-II).

---

DEPARTMENT OF LIBRARIES

Islamabad, the 2nd April, 2020

**No. F.5-25/88-Estt.**—Mr. Akbar Ali, Assistant Private Secretary (BPS-16) of this Department is hereby granted/regularized 05 days leave on full pay (LFP) from 16th to 20th March, 2020, after availing the leave, he has assumed the charge of his post on 24th March, 2020 (21st to 23rd March, 2020 being closed holidays).

This issues with approval of the Director General, Department of Libraries, Islamabad.

SHAGUFTA NAZ,  
Superintendent.

---

DIRECTORATE GENERAL CIVIL DEFENCE

Islamabad, the 14th April, 2020

**No. 2/5/93-Admn.**—Consequent upon approval of the competent authority, Mr. Amanullah Khan, Instructor

(BS-16), has been allowed to hold the post of Senior Instructor (BPS-17) in the National Institute of Fire Technology, Islamabad on current charge basis for a period of three months, with effect from 20th April, 2020 to 19th July, 2020.

Mr. Amanullah Khan is entitled to draw special pay @ 20% of his pay, subject to maximum of Rs. 12,000/- per month for holding the current charge of the higher post.

MUHAMMAD MUZAFFAR SIDDIQUE,  
Deputy Director.

DIRECTORATE GENERAL IMMIGRATION &  
PASSPORTS

Islamabad, the 20th April, 2020

**No. F. 27/65/83-Admn.**—Consequent upon attaining the age of superannuation (60 years), Mr. Liaqat Ali, Assistant Director (BPS-17), Regional Passport Office, Peshawar (drawing salary from Regional Passport Office, Peshawar), will stand retired from Government service, with effect from 2nd May, 2020.

This issues with the approval of Director General, Immigration & Passports.

MUHAMMAD NAWAZ KHAN,  
Deputy Director (Admn.).

FEDERAL GOVERNMENT EMPLOYEES HOUSING  
FOUNDATION

Islamabad, the 27th April, 2020

**No. 21(703)/2018-Depute-HF(A).**—In pursuance of Establishment Division, Islamabad Notification No. PF(1115)/E-5 (PAS), dated 27th April, 2020, Ms. Rabia Aurangzeb, a BS-18 officer of Pakistan Administrative Services, presently posted as Director (Land) (BS-19), in Federal Government Employees Housing Authority on deputation basis is hereby relieved for her further posting in Directorate General, Immigration and Passport, with immediate effect.

MALIK AHMED HASSAN,  
Deputy Director (HR).

GENERAL HEADQUARTERS FGEI (C/G) DIRECTORATE

(IGT & E's Branch)

Rawalpindi, the 27th March, 2020

**No. 0409/42/2019-FGEI(CM).**—In pursuance of recommendation of Federal Public Service Commission vide Letter No. F. 4-54/2019-R-FS-I, dated 27th February, 2020 and approval of appointment as Drawing Master

(Female) (BPS-16) by Ministry of Defence vide No. 11/3/D-22/2018, dated 4th March, 2020, the following individual is hereby appointed as Drawing Master (Female), (BPS-16) (Rs. 18910-1520-64510) and posted to institution as mentioned against her name :-

S. No.	Name and Address	Posted to	Remarks
1.	Miss Asma Bibi D/o. Jamil Akhtar Mohallah Masjid Baba Ahmad Khan VPO Tamman Tehsil Talagang District Chakwal.	FG Public School, Mangla.	Against an existing vacancy

2. The terms and conditions of appointment are as under :-

- Her Services will be governed in accordance with the recruitment rules for Class-I & Class-II (Gazetted) posts in the Federal Government Educational Institutions.
- She will draw pay in BPS-16 (Rs. 18910-1520-64510) plus other allowances as admissible under the rules.
- She will be required to give an undertaking on a prescribed form to the effect that her services can be terminated on fortnight's notice.
- The post is temporary, but likely to continue :-
  - She will be on probation for a period of one year, extendable to two years without specifying any reason at the discretion of Director General, FGEI (C/G).
  - If in the opinion of the Govt. her work and conduct during the period of probation is found unsatisfactory or show that she is unlikely to become efficient, the Govt. may discharge her forthwith.
  - On the conclusion of the period of probation, the Govt. may confirm her appointment as and when the post is placed on permanent basis or if her work and conduct in the opinion of the Govt. have been unsatisfactory, Govt. may either discharge her from service or may extend her period of probation not exceeding one year as Govt. may think fit.
  - If no action is taken by the Govt. under para-2 d (ii) & (iii) above, the period after that shall be treated as and engagement until further order.
- Her appointment will be subject to satisfactory report on the verification of character / antecedents.

- f. Pending certain verification of her character and antecedents, her appointment will be provisional and her services are liable to be terminated without notice.
- g. Before assuming charge, she will be required to submit two character certificates from the persons residing in Pakistan and holding Class-I Gazetted posts under Federal/Provincial Govt. She will be required to submit her original certificates/degrees to the concerned Head for verification.
- h. She will be required to produce citizenship/domicile certificate from the appropriate authorities.
- i. Her appointment will be subject to her being declared medically fit by the Medical Board to be constituted by the Civil Surgeon of the District in which she is residing / posted. The expenses in connection with the medical examination will be payable by the individual herself.
- j. In case she is permanent employee of the Federal or Provincial Govt. she will be entitled of joining time and TA/DA as admissible under the rules for joining the post offered to her.
- k. She can be posted / transferred / attached anywhere in Pakistan / AJK, as considered necessary by the Director FGEI (C/G).
- l. She will remain at the station of first posting for minimum three years during which she will not apply for posting on compassionate grounds. She will also submit and undertaking to this effect soon after her joining to this Directorate through institution/Regional Office concerned.
- m. Her seniority would be determined by the order of merit assigned by the commission.
- n. Those who is already in service of Provincial Govt./ Federal Govt. will be entitled for protection of pay after her relieving from parent department.

3. If the offer and terms & conditions mentioned above are acceptable to her, she should inform the undersigned and report for duty in her respective institution.

4. Her appointment will be notified on the receipt of her joining report and other documents from the Head of concerned school.

**5. She will report for duty within 15 days of the issue of this letter.**

6. Certified that :-

- a. The above post is included in the details of demand and appropriation for 2019-2020 and have been sanctioned with the approval of Finance Division.
- b. Filling up of the above post is in Public interest.

7. This Appointment letter is restricted for security classification. Please do not share it on social media or unauthorized person.

Rawalpindi, the 28th March, 2020

**No. 0409/42/2019-FGEI(CM).**—In pursuance of recommendation of Federal Public Service Commission *vide* Letter No. F. 4-54/2019-R-FS-I, dated 27th February, 2020 and approval of appointment as Demonstrator (Female) (BPS-16) by Ministry of Defence *vide* No. 11/3/D-22/2018, dated 4th March, 2020, the following individual is hereby appointed as Demonstrator (Female), BPS-16 (Rs. 18910-1520-64510) and posted to institution as mentioned against her name :-

S. No.	Name and Address	Posted to	Remarks
1.	Miss Asma Bibi D/o Jamil Akhtar Mohallah Masjid Baba Ahmad Khan VPO Tamman Tehsil Talagang District Chakwal.	FG Post Graduate College for Women, Kashmir Road, Rawalpindi Cantt.	Against an existing vacancy

2. The terms and conditions of appointment are as under :-

- a. Her Services will be governed in accordance with the recruitment rules for Class-I & Class-II (Gazetted) posts in the Federal Government Educational Institutions.
- b. She will draw pay in BPS-16 (Rs. 18910-1520-64510) *plus* other allowances as admissible under the rules.
- c. She will be required to give an undertaking on a prescribed form to the effect that her services can be terminated on fortnight's notice.
- d. The post is temporary, but likely to continue :-
- (i) She will be on probation for a period of one year, extendable to two years without specifying any reason at the discretion of Director General, FGEI (C/G).
- (ii) If in the opinion of the Govt. her work and conduct during the period of probation is found unsatisfactory or show that she is unlikely to become efficient, the Govt. may discharge her forthwith.
- (iii) On the conclusion of the period of probation, the Govt. may confirm her appointment as and when the post is placed on permanent basis or if her work and conduct in the opinion of the Govt. have been unsatisfactory, Govt. may



- either discharge her from service or may extend her period of probation not exceeding one year as Govt. may think fit.
- (iv) If no action is taken by the Govt. under para-2 d (ii) & (iii) above, the period after that shall be treated as and engagement until further order.
- e. Her appointment will be subject to satisfactory report on the verification of character / antecedents.
- f. Pending certain verification of her character and antecedents, her appointment will be provisional and her services are liable to be terminated without notice.
- g. Before assuming charge, she will be required to submit two character certificates from the persons residing in Pakistan and holding Class-I Gazetted posts under Federal/Provincial Govt. She will be required to submit her original certificates/degrees to the concerned Head for verification.
- h. She will be required to produce citizenship/domicile certificate from the appropriate authorities.
- i. Her appointment will be subject to her being declared medically fit by the Medical Board to be constituted by the Civil Surgeon of the District in which she is residing / posted. The expenses in connection with the medical examination will be payable by the individual herself.
- j. In case she is permanent employee of the Federal or Provincial Govt. she will be entitled of joining time and TA/DA as admissible under the rules for joining the post offered to her.
- k. She can be posted / transferred / attached anywhere in Pakistan / AJK, as considered necessary by the Director FGEI (C/G).
- l. She will remain at the station of first posting for minimum three years during which she will not apply for posting on compassionate grounds. She will also submit an undertaking to this effect soon after her joining to this Directorate through institution/Regional Office concerned.
- m. Her seniority would be determined by the order of merit assigned by the commission.
- n. Those who is already in service of Provincial Govt./ Federal Govt. will be entitled for protection of pay after her relieving from parent department.
3. If the offer and terms & conditions mentioned above are acceptable to her, she should inform the undersigned and report for duty in her respective institution.
4. Her appointment will be notified on the receipt of her joining report and other documents from the Head of concerned school.
5. She will report for duty within 15 days of the issue of this letter.
6. Certified that :-
- a. The above post is included in the details of demand and appropriation for 2019-2020 and have been sanctioned with the approval of Finance Division.
- b. Filling up of the above post is in Public interest.
7. This Appointment letter is restricted for security classification. Please do not share it on social media or unauthorized person.
8. This Directorate notification of even number, dated 27th March, 2020 may be treated as cancelled.

MUHAMMAD ASGHAR, *Maj. Gen.*  
Director General.

Rawalpindi, the 25th March, 2020

**No. 0409/11-B/2020-FGEIs(Induction).**—In pursuance of Supreme Court of Pakistan judgment dated 28th January, 2020, following notification IRO Contract Trained Graduate Teachers (BPS-16) as mentioned against each are hereby withdrawn :-

S. No.	Notification No. / Date	Name of Employee / Institutions	
a.	0409/11-B/2014-FGEI (Estb), dated 24th November, 2014.	(1)	Farzana Rafique, FG Public School (Girls), Kashmir Road, Rawalpindi.
		(2)	Rafia Naz, FG Public School (Girls), Sialkot.
		(3)	Uzma Matloob, FG Quaid-e-Azam Public School (2nd Shift), Chaklala, Rawalpindi.
		(4)	Nazia Shaheen, FG Sir Syed Public School (Girls) (2nd Shift) Rawalpindi.
		(5)	Shehla Rehman, FG Public School No. 4, (Boys) Wah.
		(6)	Nazia Shaheen, FG Public School (Girls), PAC Kamra.
b.	0409/11-B/2014-FGEI (Estb), dated 24th November, 2014.	(1)	Shagufta Jabeen, FG Fazaia Public School, (2nd Shift) PAF Base Faisal, Karachi.
		(2)	Atif Rehman, FG Public School, Attock.
		(3)	Tahira Sajida, FG Public School (Girls) Taxila.
		(4)	Zahida Yasmeen, Public School (Girls), Sanjwal.

S. No.	Notification No. / Date	Name of Employee / Institutions	
c.	0409/11-B/2014-FGEI (Estb), dated 24th November, 2014.	(1)	Ijaz Ahmed, FG Fazaia Public School (2nd Shift), E-9, Islamabad.
		(2)	Yasmeen Akhtar, FG Public School (Boys), Barian Camp, Murree.
		(3)	Nadia Kiran, FG Public School, Mehfooz Road, Rawalpindi.
d.	0409/11-B/2014-FGEI (Estb), dated 20th February, 2015.	(1)	Zahida Nasreen, FG Fazaia Public School (2nd Shift), Shaheen Camp, Peshawar.

The intervening period from 15th March, 1996 to 21st May, 2000 shall be treated as spent on extraordinary leave without pay.

His name has therefore been struck off the strength of the school, with effect from 22nd May, 2000.

This is issued with the approval of the competent authority.

ALI RAZA SHAH, Major,  
for Director General.

HEADQUARTERS, AIRPORTS SECURITY FORCE

Karachi, the 15th April, 2020

**No. 26-5/2020/FS-2.**—After having been selected through Federal Public Service Commission (FPSC), for the post of Inspector in ASF, the following persons have been appointed and taken over the charge of Inspector (BPS-16), with effect from the date & station as mentioned against their names :-

S. No.	Name	Father's Name	Station	Date of Joining
1.	Atif Mehmood	Mehmood Khan	Karachi	28-10-2019
2.	Aamir Ikram	Ikram Ullah Khan	Islamabad	28-10-2019
3.	Abdul Raziq	Haji Ali Dost	Karachi	28-10-2019
4.	Kashif Ali Bhatti	Karamat Ali Bhatti	Islamabad	28-10-2019
5.	Salal Rafiq	Muhammad Rafiq	Karachi	28-10-2019
6.	Muhammad Adil Naseem	Ruhmat Ullah Naseem	Faisalabad	28-10-2019
7.	Irfan Ullah Khan	Dilawar Khan	Islamabad	28-10-2019
8.	Muhammad Attaullah Dilber Sahu	Mayer Bashir Ahmad Sahu	Faisalabad	28-10-2019
9.	Mudassir Abbas	Muhammad Saleem	Islamabad	28-10-2019
10.	Awais Inayat Ullah	Inayat Ullah Khan	Faisalabad	28-10-2019
11.	Muhammad Noman Liaqat	Liaqat Ali	Faisalabad	28-10-2019
12.	Ehtisham Ul Haq	Ahmed Musa	Islamabad	28-10-2019
13.	Hadia Wajid (F)	Wajid Rizwan Saleemi	Lahore	28-10-2019

2. This is issued with the approval of competent authority.

NADEEM KHALID, Lt. Col.,  
for Director General.

Rawalpindi, the 30th March, 2020

**No. 04/PF-4142/77-FGEI (SA).**—Mrs. Saira Khokhar, SST, FG Public School No. 1 (Boys) Tariqabad, Sargodha Cantt. is hereby granted 44 days post-confinement maternity leave on full pay, with effect from 16th January, 2020 to 28th February, 2020.

**No. 04/PF-274/77-FGEI (SA).**—Mrs. Erum Ejaz, SST, FG Public School No. 1 (Girls), Sialkot Cantt. is hereby granted 39 days leave on full pay, with effect from 16th August, 2019 to 23rd September, 2019, on medical grounds.

Rawalpindi, the 31st March, 2020

**No. 04/PF-01/77-FGEI (M).**—On attaining the age of superannuation *i.e.* 60 years Mr. Fazal Mabood, Principal, FG Public School (Boys) Khyber Road, Peshawar Cantt, is hereby granted 365 days encashment in lieu of LPR with effect from 2nd January, 2020 to 31st December, 2020, in accordance with Finance Division OM No. F.1(7)R-4/2004, dated 29th August, 2012.

Certified that 365 days leave on full pay stands at his credit.

He will be retired from Government Service and his name will be struck off the strength of school, with effect from 31st December, 2020 (AN).

**No. 04/PF-25/77-FGEI (M).**—In compliance with Ministry of Defence Notification No. F. 1/13/D-22/99, dated 22nd May, 2000 and consequent upon his wilful absence from duty, major penalty of "Compulsory Retirement from Government Service" as defined in Rule 4(1) (b) (ii) of the rules *ibid* has been imposed upon Mr. Muhammad Saleh Khaskhelly (Late), Ex-Principal (BPS-18), FG Public School, Abdul Hakim, with effect from 22nd May, 2000.

S. No.	Name	Father's Name	Station	Date of Joining
14.	Farheen Abdullah (F)	Abdullah Jan	Islamabad	28-10-2019
15.	Faryal Naeem (F)	Naeem Khan Wazir	Faisalabad	28-10-2019
16.	Rana Falak Naz (F)	Rana Jawad	Karachi	28-10-2019
17.	Iqra Sultan (F)	Sultan Mahmood	Islamabad	28-10-2019
18.	Bakhtawar Irshad (F)	Irshad Hussain	Islamabad	28-10-2019
19.	Khush Bakhat Samreen (F)	Muhammad Jamil	Faisalabad	28-10-2019
20.	Sobia Abid (F)	Abid Hussain	Karachi	28-10-2019
21.	Shakila Anwar (F)	Majid Khalid	Faisalabad	28-10-2019
22.	Amna Saleem (F)	Muhammad Saleem	Faisalabad	28-10-2019
23.	Zaira Fatima (F)	Syed Hamid Hussain	Islamabad	28-10-2019
24.	Muhammad Bilal	Muhammad Ramzaan	Islamabad	28-10-2019
25.	Iram Rubab Khan (F)	Manzoor Ahmad	Islamabad	28-10-2019
26.	Fida Hussain	Alistan	Islamabad	28-10-2019
27.	Gul Muhammad	Nazar Muhammad	Karachi	28-10-2019
28.	Sundeep Kumar	Gordhan Dass	Karachi	28-10-2019
29.	Siman Fakhar	Khalid Fakhar	Islamabad	28-10-2019

2. They will be on probation for a period of 01 year from the date of appointment. The period of their probation may be extended by a further period not exceeding one year. On expiry of the 1st year of probation, if no order is issued, the probation shall be deemed to have been extended for further period of 01 year automatically.

MUHAMMAD YASEEN,  
Deputy Director.  
A/Force Secretary.

#### HEADQUARTERS PAKISTAN COAST GUARDS

Karachi, the 15th April, 2020

**No. DG(CG)/1164/3764/A.**—PA-46539 Major Omeir Shuja, Armoured Corps, has assumed the charge of Company Commander Pakistan Coast Guards, with effect

from 15th April, 2020. His services have been loaned to Ministry of Interior, with effect from 11th March, 2020.

MUHAMMAD SOHAIL, *Major,*  
*for Director General.*

#### ISLAMABAD HIGH COURT

Islamabad, the 6th April, 2020

**No. 19771/Admn/IHC.**—The Competent Authority has been pleased to grant 32 days earned leave in favor of Mr. Muhammad Saeed Akhtar, Private Secretary (BPS-18) of this Court, with effect from 24th March, 2020 to 24th April, 2020, with full pay (without Car/Conveyance Allowance).

IMTIAZ AHMED,  
Additional Registrar (Estb.).

Islamabad, the 10th April, 2020

**No. P.F.(105)/Conf./IHC/669.**—Pursuant to the concurrence of Lahore High Court, Lahore, *vide* Letter No. 60/RHC/C-I, dated 6th March, 2020, the Hon'ble Chief Justice of this Court has been pleased to extend the deputation period of Mr. Javaid Iqbal Sipra, AD&SJ (BPS-20) of Punjab Judicial Service (presently posted as AD&SJ-West, Islamabad) in Islamabad Judicial Service, for a further period of 03 months, with effect from 20th February, 2020, in the public interest.

MUHAMMAD SARFRAZ SHARIF,  
Deputy Registrar (Conf.).

#### JINNAH POSTGRADUATE MEDICAL CENTRE

Karachi, the 20th March, 2020

**No. PF. 2-232/AS/Admn-1/JPMC.**—Mst. Anwar Sultana D/o Lal Shareen, Charge Nurse of this Centre has been granted LFP for 11 days, with effect from 24th February, 2020 to 5th March, 2020, on medical grounds, subject to title.

She has resumed her duty on 6th March, 2020.

**No. PF. 2-183/SA/Admn-1/JPMC.**—Mr. Sumair Abbas S/o. Zafarullah Khan, Charge Nurse of this Centre has been granted LFP for 07 days, with effect from 2nd March, 2020 to 8th March, 2020, subject to title.

He has resumed his duty on 9th March, 2020.

**No. PF. 2-167/HS/Admn-1/JPMC.**—Mst. Humaira Sohail W/o. Sohail Ahmad, Charge Nurse of this Centre has been granted LFP for 07 days, with effect from 22nd January, 2020 to 28th January, 2020, subject to title.

She has resumed her duty on 29th January, 2020.

**No. PF. 2-260/AH/Admn-1/JPMC.**—Mr. Ashique Hussain S/o. Shamsuddin, Charge Nurse of this Centre has been granted LFP for 10 days, with effect from 15th February, 2020 to 24th February, 2020, subject to title.

He has resumed his duty on 25th February, 2020.

**No. PF. 2-129/RB/Admn-1/JPMC.**—Mst. Razia Begum D/o. Muhammad Sadiq, Charge Nurse of this Centre has been granted LFP for 15 days, with effect from 25th February, 2020 to 10th March, 2020, on medical grounds, subject to title.

She has resumed her duty on 11th March, 2020.

**No. PF. 2-86/AZ/Admn-1/JPMC.**—Mst. Azra Zareen D/o. Saleem Khan, Charge Nurse of this Centre has been granted LFP for 03 days, with effect from 3rd February, 2020 to 5th February, 2020, subject to title.

She has resumed her duty on 6th February, 2020.

**No. PF. 2-325/NP/Admn-1/JPMC.**—Mst. Najma Parveen D/o. Mushtaq Gill, Charge Nurse of this Centre has been granted LFP for 10 days, with effect from 1st February, 2020 to 10th February, 2020, subject to title.

She has resumed her duty on 11th February, 2020.

Karachi, the 21st March, 2020

**No. PF. 2-518/GM/Admn-1/JPMC.**—Mr. Ghulam Mohiuddin Siddique S/o. Asif Zia Siddique, Charge Nurse of this Centre has been granted LFP for 02 days, with effect from 23rd February, 2020 to 24th February, 2020, on medical grounds, subject to title.

He has resumed his duty on 25th February, 2020.

DR. SEEMIN JAMALI *TI*,  
Executive Director.

MODEL CUSTOMS COLLECTORATE OF  
(ENFORCEMENT & COMPLIANCE)

Karachi, the 1st April, 2020

**No. 06/2020-Estt (P).**—In pursuance of Board's Notification No. 0587-C-III/2020, dated 30th March, 2020, Mr. Abdul Malik Baloch has assumed the charge of Superintendent Preventive Service (BS-16), Model Customs Collectorate of Preventive, Karachi, with effect from 31st March, 2020.

NAYAB AZHAR,  
Assistant Collector Establishment.

OFFICE OF THE CHIEF COMMISSIONER INLAND  
REVENUE REGIONAL TAX OFFICE-II

Lahore, the 8th April, 2020

ORDER

ASSIGNMENT OF DUTIES TO THE DEPARTMENTAL  
REPRESENTATIVE IN APPELLATE TRIBUNAL INLAND  
REVENUE

**No. CCIR/RTO-II/Admin/DR/C-33/2020/11275.**—Sahibzada Umar Riaz, Additional Commissioner Inland Revenue, Zone-III, Regional Tax Office-II, Lahore, will also perform duties of the post of Departmental Representative in Appellate Tribunal Inland Revenue Division Bench (DB-I), with effect from 13th April, 2020, in addition to his own duties in place of Mr. Akhtar Abbas, ADCIR.

YASIR MANSOOR ALAM BUTT,  
Deputy Commissioner (Hqrs.).

OFFICE OF THE DIRECTOR GENERAL FEDERAL  
INVESTIGATION AGENCY

Islamabad, the 3rd April, 2020

**No. A/P-I/Admn(N)/2019.**—The following officers are hereby transferred and posted, with immediate effect and till further orders.

S. No.	Name	From	To
1.	Rana Shehwaz, Assistant Director.	FIA AHTC, Punjab Zone-I, Lahore.	FIA Circle Faisalabad (As acting Deputy Director
2.	Mr. Khurram Yousaf, Assistant Director	Office of Zonal Directorate-II	FIA Circle Multan

2. This is issued with the approval of Additional Director General (North).

Islamabad, the 7th April, 2020

**No. E-1(127)/Admn(N)/2020.**—Mr. Abdul Ghaffar Qaisrani, Additional Director, presently at the disposal of Additional Director General (North), is hereby transferred and posted to FIA EGOA, Punjab Zone-I, Lahore, with immediate effect and till further orders.

This is issued with the approval of Additional Director General (North).

**No. A/P-I/Admn(N)/2019.**—Mr. Sheraz Umer, Inspector presently posted at FIA ACC Gilgit, Islamabad Zone, Islamabad is hereby transferred and posted to FIA ACC, Punjab Zone-I, Lahore, with immediate effect and till further orders.

This is issued with the approval of Additional Director General (North).

ADEEL ABBAS,  
Deputy Director Coord.

OFFICE OF THE INSPECTOR GENERAL FRONTIER  
CORPS, BALOCHISTAN

Turbat, the 5th March, 2020

**No. 132-37/Cfm/36/SE-2.—CONFIRMATION.**—On completion of one year probationary period, following Junior Commissioned Officers of Frontier Corps, Balochistan (South) are hereby confirmed in their present rank, with effect from the date noted against each :-

*TO BE CONFIRMED AS SUBEDAR*

1. No. 11934 Subedar (Mortar) Muhammad Ramzan, Pathan of Mekran Scouts, with effect from 12th August, 2019.
2. No. 14647 Subedar (Mortar) Rozi Khan, Baloch of Mekran Scouts, with effect from 7th April, 2019.
3. No. 13655 Subedar (General Duty) Dildar Khan, Pathan of Mekran Scouts, with effect from 7th July, 2018.
4. No. 4579 Subdar (Signal) Muhammad Ramzan, Punjabi of 606 Mortar Battery Mekran Scouts, with effect from 25th January, 2019.

*TO BE CONFIRMED AS NAIB SUBEDAR*

5. No. 18448 Naib Subedar (General Duty) Iqbal Hussain, Pathan of Mekran Scouts, with effect from 15th April, 2019.
6. No. 6373 Naib Subedar (General Duty) Asif Ullah, Pathan of Mekran Scouts, with effect from 1st June, 2019.
7. No. 13391 Naib Subedar (General Duty) Muhammad Tahir Shah, Pathan of Mekran Scouts, with effect from 1st February, 2018.

**No. 132-37/Cfm/35/SE-2.—CONFIRMATION.**—On completion of one year probationary period, following Junior Commissioned Officers of Frontier Corps, Balochistan (South) are hereby confirmed in their present rank, with effect from the date noted against each :-

*TO BE CONFIRMED AS SUBEDAR*

1. No. 7236 Subedar (General Duty) Gulzar Ahmed, Punjabi of Taftan Rifles, with effect from 2nd July, 2019.
2. No. 7553 Subedar (General Duty) Muhammad Asghar, Baloch of Taftan Rifles, with effect from 26th August, 2019.

3. No. 12309 Subedar (Mechanical Transport) Muhammad Asghar, Punjabi of Dalbandin Rifles, with effect from 6th April, 2019.

*TO BE CONFIRMED AS NAIB SUBEDAR*

4. No. 7580 Naib Subedar (Education) Muhammad Musa, Baloch of Taftan Rifles, with effect from 28th September, 2018.
5. No. 5997 Naib Subedar (General Duty) Muhammad Sharif, Punjabi of Taftan Rifles, with effect from 27th October, 2019.
6. No. 40398 Naib Subedar (General Duty) Ashiq Hussain Baloch of Taftan Rifles, with effect from 5th October, 2019.
7. No. 13876 Naib Subedar (General Duty) Muhammad Wakil, Pathan of Dalbandin Rifles, with effect from 25th November, 2018.
8. No. 389 Naib Subedar (Mortar) Liaqat Ali, Punjabi of Panjgur Rifles, with effect from 15th April, 2019.

**No. 132-37/Cfm/37/SE-2.—CONFIRMATION.**—On completion of one year probationary period, following Junior Commissioned Officers of Frontier Corps, Balochistan (South) are hereby confirmed in their present rank, with effect from the date noted against each :-

*TO BE CONFIRMED AS SUBEDAR*

1. No. 5712 Subedar (General Duty) Bashir Ahmed, Baloch of Awaran Militia, with effect from 1st March, 2019.
2. No. 12942 Subedar (Signal) Aman Ullah, Baloch of Awaran Militia, with effect from 25th November, 2018.
3. No. 4997 Subedar (General Duty) Ali Khan, Pathan of Dasht Scouts, with effect from 1st January, 2019.
4. No. 5926 Subedar (General Duty) Tajamul Shah, Punjabi of Kharan Rifles, with effect from 2nd July, 2019.
5. No. 28885 Subedar (General Duty) Khial Mas. Pathan of Kalat Scouts, with effect from 30th April, 2019.

*TO BE CONFIRMED AS NAIB SUBEDAR*

6. No. 5572 Naib Subedar (General Duty) Shams Alam Khan, Punjabi of Awaran Militia, with effect from 2nd June, 2019.
7. No. 6391 Naib Subedar (General Duty) Muhammad Iqbal, Baloch of Dasht Scouts, with effect from 24th April, 2019.

8. No. 6068 Naib Subedar (General Duty) Amir Nawaz, Punjabi of Kalat Scouts, with effect from 11th May, 2019.
9. No. 17988 Naib Subedar (General Duty) Muhammad Shoaib, Punjabi of Dasht Scouts, with effect from 1st June, 2019.

AAMIR ZAFAR, *Lieutenant Colonel,*  
For Inspector General Frontier Corps, South.

Quetta, the 9th January, 2020

**No. NHMP/DIG/(West)AD/HRM-I/2020/99.**—Mr. Sohail Aslam, DSP-CPO (BS-17) of LHQs, Sector, N-10, Coastal Highway Gwadar is hereby granted 06 days Casual Leave alongwith 08 days monthly rest, with effect from 14th March, 2020 to 27th March, 2020.

During the leave period, Line Officer of LHQs Sector, N-10, Coastal Highway, Gwadar, will look after the routine affairs in addition to his own assignment in existing pay/scale.

Quetta, the 5th March, 2020

**No. NHMP/DIG/(West)AD/HRM-I/2020/97.**—In continuation of this office earlier Notification No. NHMP/DIG/(West)AD/HRM-I/2020/71, dated 18th February, 2020 wherein 04 days casual leave was sanctioned to Mr. Abdur Raheem, DSP/CPO (BS-17) of Beat-14 Quetta, Sector-III, N-25, RCD Kalat, 06 days casual leave is further extended in his favour, with effect from 5th March, 2020 to 10th March, 2020, due to illness of his monther under treatment at CMH Bannu.

During the leave period, Admin. Officer of Beat-14 Quetta Sector-III, N-25, RCD Kalat, will look after the routine affairs in addition to his own assignment in existing pay/scale.

Quetta, the 9th March, 2020

**No. NHMP/DIG/(West)AD/HRM-I/2020/122.**—Rao Muhammad Iqbal, DSP-CPO (BS-17) of Beat-01, Hub, Sector-I, N-25, Uthal is hereby granted 03 days Casual Leave, with effect from 10th April, 2020 to 12th April, 2020 on account of private affairs.

During the leave period, Admin. Officer of Beat-01 Hub, Sector-I N-25, Uthal, will look after the routine affairs in addition to his own assignment in existing pay/scale.

ALI SHER JAKHRANI, *PPM, PSP,*  
Deputy Inspector General.

Islamabad, the 3rd March, 2020

**No. NHMP-4(11)/2012/202.**—Syed Ali Abbas, Accountant (BS-16) of Accountant General Pakistan Revenue (AGPR), Islamabad, presently serving in National Highways & Motorway Police (NHMP) on deputation basis against the post of Accountant (BS-16), with effect from 4th October, 2012 and posted in NHMP Training College Sheikhpura is hereby repatriated to his parent department *i.e.* Accountant General Pakistan Revenue, Islamabad, in his substantive post / scale *i.e.* Accountant (BS-16) and relevant pay & allowances, with immediate effect, on his own request.

Upon repatriation, formal relieving order of aforesaid officer from NHMP be issued from NHMP Training College Sheikhpura, with the direction to immediately report to his parent department after completion of all codal

OFFICE OF THE INSPECTOR GENERAL OF POLICE

[NATIONAL HIGHWAYS & MOTORWAY POLICE]

Karachi, the 10th March, 2020

**No. NHMP/Addl.IG/SR/410/20.**—CPO (BS-17) Sajjad Hussain Bhatti, Acting Sector Commander, Sector-II Sakrand, is hereby granted one (01) day casual leave alongwith station leave, with effect from 13th March, 2020 to 15th March, 2020.

2. Mr. Ghulam Sarwar Bhayo, SP/PSP (BS-18), Sector Commander, Sector-I, Sukkur, will look after the duties of Sector Commander, Sector-II Sakrand during the leave period of officer in addition to his own duties.

DR. AFTAB AHMED PATHAN, *PSP,*  
Additional Inspector General.

Karachi, the 9th March, 2020

**No. NHMP/Addl.IG/SR/403/20.**—The Additional Inspector General of Police, NHMP (South Region) Karachi pleased to grant monthly rest / casual leave to following DSsP/CPOs of NHMP N-5 South Zone, with effect from the date mentioned against each.

S. No.	Name of Officers	Leave Granted	Look after Charge
1	Hafiz Ahmed Noman, CPO Beat-30 Moro.	06 days monthly rest from 11-03-2020 to 16-03-2020.	IP/SPO Mehboob Ilahi, Admin Officer Beat-30.
2	CPO Amir Jamil, Beat-34 Nooriabad.	06 days monthly rest from 16-03-2020 to 21-03-2020.	CPO Haneef Arif, Beat-35, Karachi.
3	CPO Sadaruddin Talpur, Beat-32, Matiani.	01 day casual leave 05-03-2020	IP/SPO Khawar Moin, Admin. Officer, Beat-32.

2. This issues with the approval of Additional IGP NHMP South Region, Karachi.

NADEEM BAIG,  
Staff Officer to Additional Inspector General.

formalities. However, LPC of the officer be issued after clearance from all sections including R&W Fund as per R&W Fund Policy and depositing all official articles issued from time to time including departmental E-Card.

This issues with the approval of Additional Inspector General, NHMP.

Islamabad, the 4th March, 2020

**No. NHMP-42(7)/2020/HRM/SPO/557.**—In continuation to this office earlier Notification No. NHMP38(6)/18/HRM/SPO-PO-1495, dated 28th May, 2019 and in compliance of order / judgment dated 5th October, 2018, passed by the Honourable Supreme Court of Pakistan in Criminal Review Petition No. 207/2016 in Criminal Original Petition No. 89/2011, its connected cases and the order / judgement dated 5th October, 2018, passed in the Criminal Original Petition No. 36/2017 and 22/2017 in Criminal Original Petition 89/2011 and orders dated 16th May, 2014, 30th May, 2014, 25th February, 2016 and 17th June, 2016 passed by the Honourable Sindh High Court, Karachi, in Constitution Petition No. D-331 of 2013 and upon dismissal of Writ Petition No. 2481/2019 and Intra Court Appeals No. 314/2019 & 317/2019 by the Honourable Islamabad High Court, Islamabad *vide* judgment passed on 11th July, 2019 & 12th February, 2020, respectively, de-inducted SPO Zafar Iqbal Baig (S-328) of Punjab Police is hereby repatriated from National Highways & Motorway Police (NHMP) to his parent department *i.e.* Punjab Police in his substantive rank, pay & allowances, with effect from the date of his retirement/superannuation *i.e.* 18th February, 2020.

2. The matter of seniority and other consequential benefits on repatriation to parent department has been settled by the Honourable Supreme Court of Pakistan in the judgment passed in CrI. Review Petition No. 193/2013 in Criminal Original Petition No. 89/2011, titled Ali Azhar Baloch *versus* Chief Secretary Government of Sindh reported as 2015 SCMR 456. Para-160 of the said judgment is as under :-

***“.....The officer / officials who have been repatriated to their parent departments shall be entitled to salaries and other benefits from the date they were relieved to join their parent departments. Their seniority shall be maintained in their parent departments with their batchmates as if they were never relieved from their parent departments. Expiry of period lien shall not come in the way of the officers to deprive them from joining the parent department...”***

3. The above named officer may be relieved immediately by Zonal/ Sector Office with the directions to be conveyed to concerned Beat Commander for his formal relieving. However, LPC be issued after receipt of uniform articles, Arms & Ammunition and departmental E-Card issued to the officer and clearance from all concerned section including R&W Fund.

4. This issues with the approval of Inspector General of Police, NHMP.

**No. NHMP-88(1)/2012/553.**—In continuation of this office earlier Notification No. NHMP-88(1)/2012/2568, dated 19th September, 2019.

Mr. Tanveer Ahmed, Deputy Director (BS-18), presently performing duties as Deputy Director (Welfare), is hereby granted extension of 03 months additional charge for the post of Deputy Director (Audit) NHMP, Islamabad in addition to his own duties, with effect from 19th December, 2019.

This issues with the approval of Inspector General of Police, NHMP.

Islamabad, the 9th March, 2020

**No. NHMP-4(4)/2012/222.**—Mr. Anees-ur-Rehman, Accountant (BS-16) of Military Accountant General, Rawalpindi, presently serving in National Highways & Motorway Police (NHMP) on deputation basis as Accountant (BS-16), with effect from 6th September, 2018 and posted as West Zone is hereby repatriated to his parent department *i.e.* Military Accountant General, Rawalpindi in his substantive post / scale *i.e.* Accountant (BS-16) and relevant pay & allowances, with immediate effect, on disciplinary grounds.

Upon repatriation, formal relieving order of aforesaid officer from NHMP may be issued from West Zone with the direction to immediately report to his parent department after completion of all codal formalities. However, his LPC may be issued after clearance from all sections including R&W Fund as per R&W Fund policy and depositing all official articles issued from time to time including departmental E-Card.

This issues with the approval of Inspector General, NHMP.

Islamabad, the 10th March, 2020

**No. NHMP-45(1)/2012/230.**—In pursuance of Ministry of Communications Letter No. F. 4(28)/2019-R-II, dated 6th December, 2019 seniority list of Stenotypist (BS-14) has been revised / rectified in light of Rule-2(ii) of Civil Servants Seniority Rules, 1993.

2. Consequently, promotion order up-to the extent of Mr. Muhammad Ishaq, against the post of Assistant Private Secretary (BS-16) mentioned at S. No. 2 issued *vide* Notification No. NHMP-11(5)/2019/Promotion/518, dated 28th August, 2019, is hereby cancelled / withdrawn, *ab-initio*, with effect from date of its issuance.

3. Upon cancellation / withdrawn of promotion, substantive post of Mr. Muhammad Ishaq, will be treated as Stenotypist (BS-14). As such, service record and pay & allowances may be rectified accordingly, under intimation to all concerned.

4. Rest of the order will hold good.

5. This issues with the approval of Inspector General, NHMP.

SYED HASHMAT KAMAL, PSP,  
Assistant Inspector General (HRM).

---

PAKISTAN BUREAU OF STATISTICS

Islamabad, the 13th April, 2020

**No. FBS.Admn.II.P.4(295-A)/83-388/408.**—Having exercised the option for encashment of his leave preparatory to retirement in terms of Rule 18-A of the Revised Leave Rules, 1980 amended *vide* Finance Division's S.R.O.70(KE)/2012, dated 29th August, 2012 and with the approval of Member (RM), Mr. Mukhtar-UI-Haq, Statistical Officer (BS-17), Pakistan Bureau of Statistics, Field Office, Rahim Yar Khan is granted encashment of LPR in lieu of 365 days leave, with effect from 19th August, 2019 to 17th August, 2020.

**No. FBS.Admn.II.P.4(295-A)/83-388.**—With the approval of Member (RM), Mr. Mukhtar-UI-Haq, Statistical Officer (BPS-17), Pakistan Bureau of Statistics, Field Office, Rahim Yar Khan shall stand retire from Government Service on attaining the age of superannuation on 17th August, 2020. His date of birth is 18th August, 1960.

**No. FBS.FS.P.3(95)/07-383.**—Consequent upon his promotion from the post of Statistical Assistant (BS-16) to the post of Statistical Officer (BS-17) and transfer from PBS, Peshawar to PBS, Regional Office, Mingora *vide* this Bureau's Notification No. PBS.RS.4(14)/2018-P-170, dated 2nd March, 2020, Mr. Parvez Iqbal, has relinquished the charge of the post of Statistical Assistant (BS-16) from PBS, Peshawar and assumed the charge of the post of Statistical Officer (BPS-17), on 12th March, 2020 (F.N) at Pakistan Bureau of Statistics, R/o. Mingora.

SAFIA BEGUM,  
Statistical Officer (Admn-III).

—  
Lahore, the 10th April, 2020

**No. F.5/1-1832/Estt.**—Consequent upon approval of Secretary, Ministry of Planning, Development & Special Initiatives, conveyed by Pakistan Bureau of Statistics HQ, Islamabad *vide* Notification No. PBS.RS.4(01)/19-C, dated 8th April, 2020, Mr. Khalil ur Rehman Rana, Deputy Agricultural Census Commissioner (Admn.) (BPS-18), has assumed charge of the post of Joint Agricultural Census Commissioner (BS-19), on current charge basis at Pakistan Bureau of Statistics (ACO Wing), Lahore, with effect from 6th April, 2020 for a period of three months or superannuation of officer, whichever is earlier.

TARIQ BASHIR,  
Joint Agricultural Census Commissioner (Incharge).

Lahore, the 10th April, 2020

**No. F. 5/1-1666/Estt-II.**—Consequent upon approval of Secretary, Ministry of Planning, Development & Special Initiatives, conveyed by Pakistan Bureau of Statistics HQ, Islamabad *vide* Notification No. PBS.RS.4(01)/19-C, dated 8th April, 2020, Mirza Zahid Mahmood, Deputy Agricultural Census Commissioner (BPS-18), has assumed charge of the post of Joint Agricultural Census Commissioner (BS-19) on current charge basis at Pakistan Bureau of Statistics (ACO Wing), Lahore, with effect from 6th April, 2020 for a period of three months or superannuation of officer, whichever is earlier.

KHALIL-UR-REHMAN RANA,  
Joint Agricultural Census Commissioner (Admn.).

—  
Islamabad, the 8th April, 2020

**No. FBS.RS.4(01)/19-C-327.**—With the approval of Secretary, Ministry of Planning, Development & Special Initiatives Mirza Zahid Mehmood, Deputy Agricultural Census Commissioner (BS-18) PBS, Lahore is appointed to hold the current charge of the post of Joint Agricultural Census Commissioner (BS-19) at the same station, with effect from 6th of April, 2020 for a period of three months or till the superannuation of the officer, whichever is earlier.

He is allowed current charge allowance as admissible under the rules.

**No. FBS.RS.4(01)/19-C-326.**—With the approval of Secretary, Ministry of Planning, Development & Special Initiatives Mr. Khalil-ur-Rehman Rana, Deputy Agricultural Census Commissioner (Admn) (BS-18) PBS, Lahore is appointed to hold the current charge of the post of Joint Agricultural Census Commissioner (BS-19) at the same station, with effect from 6th of April, 2020 for a period of three months or till the superannuation of the officer, whichever is earlier.

He is allowed current charge allowance as admissible under the rules.

MUHAMMAD SARWAR GONDAL,  
Member (RM/SS) PBS.

---

PAKISTAN RANGERS (SINDH)

Karachi, the 10th March, 2020

**No. 0084/CRO/E-1(Prom)/68/2020.—PROMOTION.** In exercise of the powers vested in him under Section-5 of Pakistan Rangers Ordinance, 1959 read with Serial Number 8 of the Schedule to Rule-3 of the Pakistan Rangers Administrative Powers Rules 1965, the Director General Pakistan Rangers (Sindh) is pleased to promote RI-7811 Inspector (General Duty) Nadeem Anwar of



Pakistan Rangers (Sindh) to the rank of Deputy Superintendent Rangers (BPS-17), with effect from 15th February, 2020. He is allotted new regimental Number RO-987.

Above named officer is placed on probation for a period of one year extendable by two years under Rule 13 of Pakistan Rangers Recruitment Rules 1968, with effect from the date of his promotion.

SYED AAMER WASEEM, *Lieutenant Colonel,*  
*For Director General.*

TRADE DEVELOPMENT AUTHORITY OF PAKISTAN

Karachi, the 9th April, 2020

**No. TDAP.P-20(6)/2009-Estt.**—In pursuance of Ministry of Commerce Notification No. 15(7)/2008-Admn-III/CTG, dated 26th February, 2020; Ms. Onsia Zafar, a BS-18 officer of Commerce and Trade Group, who is presently posted in Trade Development Authority of Pakistan, Islamabad has relinquished charge of the post of Deputy Director (BS-18), TDAP, Islamabad, with effect from 27th February, 2020.

M. IMRAN ASHRAF,  
Deputy Director (Estt.).

# The Gazette of Pakistan



PUBLISHED BY AUTHORITY

KARACHI, WEDNESDAY, JULY 29, 2020

## PART IV

### Notifications issued by the minor administrations and miscellaneous notifications not included in any other part

ISLAMABAD CAPITAL TERRITORY, CO-OPERATIVES  
DEPARTMENT

Islamabad, the 15th July, 2020

**No. 2604/CR/ICT/B.**—In exercise of powers vested under section 54 of Cooperative Societies Act, 1925 read with Rule 33 of Cooperative Societies Rules, 1927, Ms. Sania Hameed the Assistant Commissioner (UT), ICT, Islamabad is appointed as Registrar's nominee to decide the Case within 60 days titled as "Mr. Gulzar Akhtar MS#3568 R/o. House No. 246 St. No. 162, G-11/1 Islamabad VS. Jammu & Kashmir Cooperative Housing Society, Islamabad" in accordance with the requirements of Rules 33 of Cooperative Societies Rules, 1927. The fee of the nominee is fixed as Rupees 20,000/- both the parties had to pay Rs. 10,000/- each. If the case is not decided within stipulated period the deposited fee shall be refunded to the both parties.

2. By orders of the Deputy Commissioner / Registrar Cooperative Societies, ICT, Islamabad.

**No. 2635/CR/ICT/B.**—In exercise of powers vested under section 54 of Cooperative Societies Act, 1925 read with Rule 33 of Cooperative Societies Rules, 1927, the Assistant Commissioner (Rural), ICT, Islamabad is appointed as Registrar's nominee to decide the Case within 60 days titled as "Ms. Zeenat Maqbool Khan Niazi, Member Senate Housing Society Islamabad VS. Senate (Sectt.) Employees Cooperative Housing Society, Islamabad" in accordance with the requirements of Rules 33 of Cooperative Societies Rules, 1927. The fee of the nominee is fixed as Rupees 20,000/- both the parties had to pay Rs. 10,000/- each. If the case is not decided

within stipulated period the deposited fee shall be refunded to the both parties.

2. By orders of the Deputy Commissioner / Registrar Cooperative Societies, ICT, Islamabad.

Islamabad, the 20th July, 2020

**No. 2666/CR/ICT/B.**—In exercise of powers vested under section 54 of Cooperative Societies Act, 1925 read with Rule 33 of Cooperative Societies Rules, 1927, the Assistant Commissioner (Rural), ICT, Islamabad is appointed as Registrar's nominee to decide the Case within 60 days titled as "Ms. Nasreen Akhtar & Mr. Arshad Ali VS. National Assembly Cooperative Housing Society, Islamabad" in accordance with the requirements of Rules 33 of Cooperative Societies Rules, 1927. The fee of the nominee is fixed as Rupees 20,000/- both the parties had to pay Rs. 10,000/- each. If the case is not decided within stipulated period the deposited fee shall be refunded to the both parties.

2. By orders of the Deputy Commissioner / Registrar Cooperative Societies, ICT, Islamabad.

**No. 2676/CR/ICT/B.**—In continuation of this office Notification No. 2464/CR/ICT/B, dated 6th July, 2020, the name of Assistant Commissioner (UT) ICT / Administrator Islamabad Farming Cooperative Society, Islamabad may be read as Mr. Aneel Saeed instead of Mr. Aneel Salman. Other terms and conditions of the said notification shall remain unchanged.

ASGHAR KHAN NIAZI,  
Circle Registrar,  
Cooperative Societies Department.

# The Gazette of Pakistan



PUBLISHED BY AUTHORITY

KARACHI, WEDNESDAY, JULY 29, 2020

## PART V

Notifications, etc., issued by The Patent Office

### NEW APPLICATIONS FOR THE PATENTS

The dates shown in the crescent brackets are the dates claimed under section 86 of the Patents Ordinance 2000.

		707/2019	National University of Sciences & Technology, Pakistan.—“Test Bench for Pipe Network Analysis”.
		708/2019	National University of Sciences and Technology, Pakistan.—“SMART ASSISTIVE DEVICE FOR NUTRITION MONITORING AND CONTROL OF CHRONIC DIALYSIS PATENTS”.
	<b>21st October, 2019</b>		
701/2019	Novartis AG and Intellia Therapeutics Inc., U.S.A.(Priority 26th October, 2018, US ).—“METHODS AND COMPOSITIONS FOR OCULAR CELL THERAPY”		
			<b>24th October, 2019</b>
702/2019	Crown FIT Pakistan (Pvt.) Ltd, Pakistan.—“Puncture Free Tube/ Tyre”.	709/2019	University of Veterinary and Animal Sciences (UVAS), Pakistan.—“Method for Preservation of Flavor in Fruit Juices using High Pressure Processing Technology”.
	<b>22nd October, 2019</b>		
703/2019	ARAGON PHARMACEUTICALS, INC., U.S.A.(Priority 15th January, 2013, US).—“ANDROGEN RECEPTOR MODULATOR AND USES THEREOF”.	710/2019	Farrukh Usman, Pakistan.—“A Safe Peritoneal Dialysis Machine”.
		711/2019	Eisai R&D Management Co., Ltd, Japan (Priority 26th October, 2018, JP ).—“DOUBLE-STRANDED RIBONUCLEIC ACID CAPABLE OF SUPPRESSING EXPRESSION OF COMPLEMENT C5”.
704/2019	SYNGENTA CROP PROTECTION AG, Switzerland (Priority 24th October, 2018, IN).—“PESTICIDALLY ACTIVE HETEROCYCLIC DERIVATIVES WITH SULFOXIMINE CONTAINING SUBSTITUENTS”.	712/2019	FERRING B.V., Netherlands (Priority 25th January, 2018, FR).—“MINIATURIZED DEVICE FOR AUTOMATED MANUFACTURING OF PHARMACEUTICAL COMPOSITIONS, AND ASSOCIATED METHOD”.
705/2019	Dr. Assad Farooq, Assistant Professor (Fibre and Textile Technology); Farida Irshad, Lecturer (Fiber and Textile Technology) and Dr. Khurram Tariq, Pakistan.—“Method of intelligently prognosticating the shade change of dyed knitted fabric after finish application”.		
	<b>23rd October, 2019</b>		
706/2019	ELI LILLY AND COMPANY, U.S.A.(Priority 1st November, 2018, US).—“PROTEIN TYROSINE-TYROSINE ANALOGS AND METHODS OF USING THE SAME”.		

### APPLICATION ACCEPTED

Notice is hereby given that the person interested in opposing the grant of Patents to any of the applications referred to below at any time within four months from the date of this Patents' journal may give notice at the Patent Office on the prescribed Form P-7 of the Patents Rules 18(1) of 2003.

The six figures number shown in the right hand side are those given to applications on acceptance of the complete specification under which the specification will be printed and subsequent proceeding taken.

The figures shown within square brackets after the title of inventions indicate their classification index at acceptance.

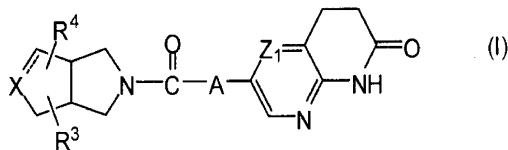
Typed copies of the specification which are to open to public inspection can be supplied by the Patent Office on payment of the prescribed charges which may be ascertained on application to the office.

530/2012 JANSSEN SCIENCES IRELAND UC, Ireland.—“ANTIBACTERIAL CYCLOPENTA [C]PYRROLE SUBSTITUTED 3,4 DIHYDRO -1H- [1,8] NAPHTHYRIDINONES”.

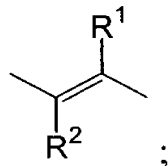
C07D487/04 & C07D471/04.

143329

The present invention is related to a novel compound of formula (I)



wherein



A represents  $-C\equiv C-$  or

the bond represents a single bond or a double bond,

Z<sub>1</sub> represents CH or N;

X represents carbon or nitrogen, and when X represents nitrogen then the

bond represents a single bond;

R<sup>1</sup> is hydrogen, C<sub>1-4</sub>alkyl or halo;

R<sup>2</sup> is hydrogen, C<sub>1-4</sub>alkyl or halo;

R<sup>3</sup> is hydrogen, C<sub>1-6</sub>alkyl, hydroxy or halo;

R<sup>4</sup> is hydrogen; halo; C<sub>1-6</sub>alkyl; C<sub>2-6</sub>alkenyl; C<sub>2-6</sub>alkynyl; C<sub>1-6</sub>alkoxy;

C<sub>1-4</sub>alkyloxycarbonyl; aminocarbonyl; mono- or di(C<sub>1-4</sub>alkyl)-aminocarbonyl; aryl; aryloxy; arylcarbonyl; arylsulfonyl; heteroaryl; C<sub>1-6</sub>alkyl substituted with cyano; C<sub>1-6</sub>alkyl substituted with aryl or aryloxy; or C<sub>1-6</sub>alkyl substituted with heteroaryl;

aryl is phenyl; phenyl substituted with one, two or three substituents each individually selected from halo, hydroxy, C<sub>1-4</sub>alkyl, C<sub>1-4</sub>alkoxy, polyhaloC<sub>1-4</sub>alkyl, polyhaloC<sub>1-4</sub>alkoxy, cyano, nitro, and amino;

heteroaryl is furanyl, thiophenyl, pyrrolyl, pyrazolyl, imidazolyl, isoxazolyl, thiazolyl, triazolyl, tetrazolyl, isothiazolyl, thiadiazolyl, oxadiazolyl, pyridinyl, pyridazinyl, pyrimidinyl, pyrazinyl, benzo[1,3]dioxolyl, benzofuranyl, benzothiazolyl, indolyl, 2,3-dihydro-1 H-indolyl, tetrahydrothiophenyl, or quinolinyl, wherein each heteroaryl may be substituted with one or two substituents each independently selected from halo, cyano, C<sub>1-4</sub>alkyl, C<sub>1-4</sub>alkoxy, C<sub>1-4</sub>alkylcarbonyl, or phenyl; that inhibits the activity of the fatty acid bio-synthesis enzyme (FabI enzyme) which is therefore useful in the treatment of bacterial infections. It further relates to a pharmaceutical composition comprising the compound, and a chemical process for preparing the compound.

149/2013

Sanofi, France.—“ANTIBODY TO KALLIDIN AND DES-ARG10-KALLIDIN”.

C07K 16/26, C07K7/18 & A61K 39/395.

143330

The present invention provides an antibody or antigen-binding fragment thereof that specifically binds to Kallidin or des-Arg<sub>10</sub>-Kallidin, and methods for making and generating the antibody or antigen-binding fragment. Nucleic acids encoding Kallidin or des-Arg<sub>10</sub>-Kallidin antibody are also provided. The present invention further provides a pharmaceutical composition comprising the antibody or antigen binding fragment thereof along with a pharmaceutically acceptable carrier which is useful in treating a Kallidin or des-Arg<sub>10</sub>-Kallidin-associated disease or disorder.

77/2014

Dr. Murtaza Najabat Ali & Zainab Munib, Pakistan.—“Auxetic Intramedullary Bone Stent and a Method for Treating Long Bone Fractures”.

A47C23/002.

143331

The present invention provides an Auxetic structure, including an Auxetic film and tubular stent for long bone fractures that is implanted into the medullary canal, where it spans the fracture site, providing stability and compression. The device is constructed from an Auxetic material and comprises of a plurality of unitcells. Each unitcell comprises

of six triangles connected in such a manner that creates a hollow star (three-pointed) shape at the center of each unitcell. The stars are connected through their vertices via flexible hinges creating a structure of rigid rotating triangles. An array/pattern is created by repeating the connection of unitcells in both vertical and horizontal directions. The Auxetic nature (materials with negative value of Poisson's ratio) of the stent allows the expansion of the structure in both radial and longitudinal directions. The Auxetic system can be made from similar dimensions or a connection of different sized triangles to achieve a wide range of Poisson's ratio values. The three-dimensional Auxetic film used to manufacture seamed Auxetic stents, whereas seamless fabrication of the Auxetic stent is also disclosed.

171/2014 Regeneron Pharmaceuticals, Inc.m U.S.A.—  
“ANTIBODY THAT SPECIFICALLY BIND TO RESPIRATORY SYNCYTIAL VIRUS F PROTEIN (RSV-F) AND PHARMACEUTICAL COMPOSITION THEREOF”.

C07K16/08, C07K16/10 & A61K39/395.

143332

The present invention provides an antibody or antigen-binding fragment thereof that binds specifically to RSV-F, wherein the antibody or antigen-binding fragment comprises the three heavy chain CDRs (HCDR1, HCDR2 and HCDR3) contained within a heavy chain variable region (HCVR) amino acid sequence selected from the group consisting of SEQ ID NO: 2, 18, 34, 50, 66, 82, 98, 114, 130, 146, 162, 178, 194, 210, 226, 242, 258, 274, 290, 306, 322 and 338; and comprises the three light chain CDRs (LCDR1, LCDR2 and LCDR3) contained within a light chain variable region (LCVR) amino acid sequence selected from the group consisting of SEQ ID NOs: 10, 26, 42, 58, 74, 90, 106, 122, 138, 154, 170, 186, 202, 218, 234, 250, 266, 282, 298, 314, 330 and 346.

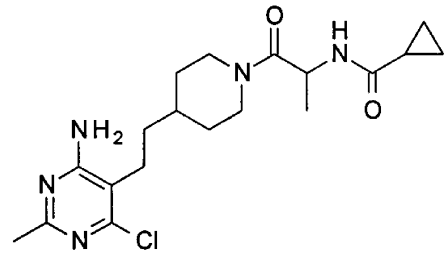
The antibody of present invention is therapeutically effective for preventing and treating a respiratory syncytial virus (RSV) infection, or at least one symptom associated with the RSV infection.

779/2014 ELI LILLY AND COMPANY, U.S.A.—  
“GHRELIN O-ACYL TRANSFERASE INHIBITOR”.

C07D401/06, A61K31/506 & A61P3/00.

143333

The present invention provides a compound of formula:

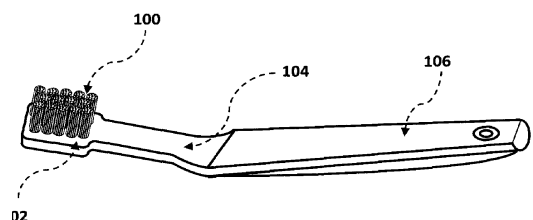


The present invention further provides a pharmaceutical composition comprising claimed compound and one or more pharmaceutically acceptable carriers, diluents, or excipients. The compound of present invention is an inhibitor of ghrelin O-acyl transferase (GOAT) and effective to treat diseases related to the GOAT activity such as obesity and type 2-diabetes.

127/2017 Amjad Qayyum Babar, Pakistan.—“TOOTH-PASTE FREE TOOTHBRUSH”.

143334

The present invention discloses a toothbrush with bristles having properties of MISWAK. This toothpaste free toothbrush have two main embodiments including one flat base and arrangement of bristles on the base. The base has two ends comprising first end is a long flat handle and second end is a flat head, joined by narrow neck. The head has a number of erected bristles arranged in groups and rows. The erected bristles of the toothbrush are flexible and is made up of a novel composition of ceramic and fine powder of the different parts of selected plants. The plant's parts may include bark, branch, twig or root of a plant commonly known as MISWAK. This organic MISWAK toothbrush has the all the qualities and features required for the protection and cleansing of teeth like chloride, fluoride, silica, vitamin C, plaque removers, tartar control and antigingivitis etc. This toothbrush can be used frequently in a day with or without toothpaste.

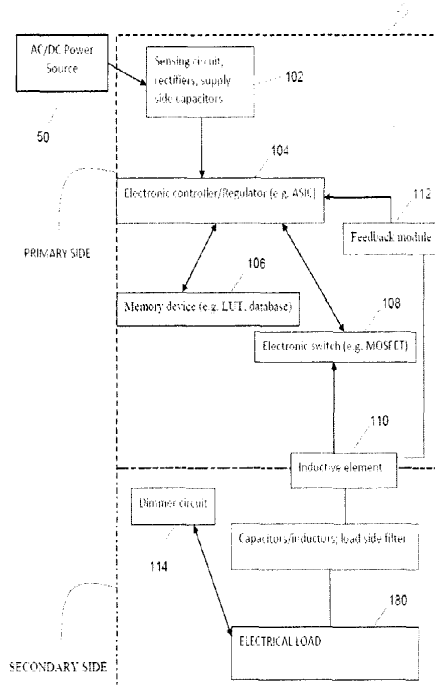


547/2018 OPULENT ELECTRONICS INTERNATIONAL PTE. LTD, Singapore.—“DEVICE AND METHOD FOR PROVIDING AN ELECTRICAL CURRENT TO AN ELECTRICAL LOAD”.

H02M7/68 & H05B37/02.

143335

A device and a method for providing an electrical current to an electrical load is disclosed. In particular, the device comprises a memory storage device for storing a plurality of ideal voltage waveforms; an electronic controller arranged in data communication with the memory storage device, the electronic controller operable to select one of the plurality of ideal voltage waveforms to compute a reference voltage and a switching period based on a predetermined rule; and an electronic switch arranged to receive the switching period to switch the electronic switch between an on state and an off state, wherein the electrical current is calculated based on a function of the reference voltage and the switching period of the electronic switch.



#### **SEALING FEES DUE-**

Notice is hereby given that the Patent may now be sealed on the application referred to below if it is desired that Patent should be sealed a request on the prescribed Form-10 accompanied by the fee of Rs.4500/- should be sent to the Controller of Patents and Designs, The Patent Office, Karachi.

Accepted No.	Applicant Name	Application No.
143168	MIDREX TECHNOLOGIES, INC. U.S.A.	261/2012
143169	DOW AGROSCIENCES LLC, U.S.A.	15/2013
143170	CASALE SA, Switzerland.	30/2013
143171	Oerlikon Textile Components GmbH, Germany.	89/2013
143172	DOW AGROSCIENCES LLC, U.S.A.	91/2013
143173	SICPA HOLDING SA. Switzerland.	160/2013
143174	MERCK PATENT GmbH. Germany.	548/2013
143175	PFIZER INC., U.S.A.	103/2017
143176	FLSmith A/S., Denmark.	453/2013
143177	PREGNA INTERNATIONAL LIMITED, India.	111/2015
143178	Portals De La Rue Limited, United Kingdom.	730/2015
143179	LAKSHMI MACHINE WORKS LTD. India.	469/2016

#### **CORRIGENDUM**

In the Gazette of Pakistan Part-V issued dated 16th October, 2019, under the Heading “APPLICATION ACCEPTED”. The following correction are as under :-

#### **APPLICATION NO. 143276 (221/2014)**

(Change in Applicant’s Name only)

For : ProMetic BioSciences Inc.

Read : PROMETIC PHARMA SMT LIMITED.

**NEW APPLICATIONS FOR THE INDUSTRIAL DESIGNS**

<b>Design No.</b>	<b>Title &amp; Class</b>	<b>Applicant</b>
<b>22nd October, 2019</b>		
20108	Plastic Bottle (Class-03)	MUHAMMAD RIZWAN
20109	Plastic Bottle (Class-03)	MUHAMMAD RIZWAN
20110	Joggers including Boots (Class 25)	LEPA SHOES
20111	Bottle (Class-03)	AB Solution,
20112	Bottle (Class-03)	AB Solution,
20113	Fiber Glass Elegant Single Cabin Canopy	Razmak Industries (Marks), Peshawar
<b>23rd October, 2019</b>		
20114	MOBILE PHONE (Class-03)	VIVO MOBILE COMMUNICATION CO., LTD.,
<b>24th October, 2019</b>		
20115	ERASER (Class-03)	Abrar Ahmed, M/s. National Cottage Industries
20116	ERASER (Class-03)	Abrar Ahmed, M/s. National Cottage Industries
20117	FRONT BUMPER FOR AN AUTOMOBILE (Class-Nil)	HONDA MOTOR CO., LTD.
20118	REAR COMBINATION LAMP FOR AN AUTOMOBILE (Class-Nil)	HONDA MOTOR CO.
20119	FRONT COMBINATION LAMP FOR AN AUTOMOBILE (Class-Nil)	HONDA MOTOR CO.
20120	FRONT DOOR LINING FOR AN AUTOMOBILE (Class-Nil)	HONDA MOTOR CO.
20121	HOOD FOR AN AUTOMOBILE (Class-Nil)	HONDA MOTOR CO.
20122	FRONT COMBINATION LAMP FOR AN AUTOMOBILE (Class-Nil)	HONDA MOTOR CO.

Design No.	Title & Class	Applicant
20123	GRILL FOR AN AUTOMOBILE (Class-Nil)	HONDA MOTOR CO.
20124	GRILL FOR AN AUTOMOBILE (Class-Nil)	HONDA MOTOR CO.
20125	REAR BUMPER FOR AN AUTOMOBILE (Class-Nil)	HONDA MOTOR CO.
20126	INSTRUMENT PANEL FOR AN AUTOMOBILE (Class-Nil)	HONDA MOTOR CO.
20127	REAR BUMPER FOR AN AUTOMOBILE (Class-Nil)	HONDA MOTOR CO.
20128	AUTOMOBILE (Class-Nil)	HONDA MOTOR CO.

### **REGISTRATION OF DESIGNS**

The following designs have been registered.

S. No.	Design No.	Title & Class	Applicant
<b>23rd October, 2019</b>			
1.	19497	Gears (Class-01)	Flender GmbH
2.	19850	Semi-Passive Upper Body Orthotic Device (Class-01)	Syed Aized Raza Naqvi, Dr. Umer Ansari, Palwasha Kifayat, Hina Nayab
3.	19853	Hypersonic Space transportation System (Class-01)	Engr. Ali Sarosh
<b>24th October, 2019</b>			
4.	19162	HOT POT (Class-03)	SHOAIBEE INDUSTRIES
5.	19161	HOT POT (Class-03)	SHOAIBEE INDUSTRIES
6.	19707	Two DOF Adjustable Metal Strip Feeding Device (Class-01)	Saheeb Ahmed Kayani
<b>25th October, 2019</b>			
7.	19820	LEAD PENCIL (Class-03)	Mr. Jamal Uddin Feroz



**NEW APPLICATIONS FOR THE PATENTS**

The dates shown in the crescent brackets are the dates claimed under section 86 of the Patents Ordinance 2000.

**28th October, 2019**

713/2019 Muhammad Kamil, Samina Iqbal, Anila Siddiqui, S. Junaid Mahmood, Kamran Abro, Sofia K. Alvi and Sheraz Shafiq, Pakistan.—“A Process for Synthesis, Characterization and Anti Microbial Study of Lithium Tri-Oxalato Chromium (III) Hydrate Complex”.

714/2019 Muhammad Imran S/o Mr. Ghulam Rasool, Pakistan.—“A Pest Killing Magic Device”.

715/2019 ESCO Group LLC, U.S.A. (Priority 31st October, 2018, US).—“WEAR ASSEMBLY”.

**29th October, 2019**

716/2019 H. LUNDBECK A/S, Denmark (Priority 30th October, 2018, DK).—“ARYLSULFONPYRROL-CARBOXAMIDE DERIVATIVES AS Kv3 POTASSIUM CHANNEL ACTIVATORS”.

**30th October, 2019**

717/2019 MERCK SHARP & DOHME CORP., U.S.A. (Priority 18th December, 2015, US).—“HYDROXY ALKYLAMINE- and HYDROXY CYCLOALKYLAMINE-substituted DIAMINE-ARYLSULFONAMIDE COMPOUNDS WITH SELECTIVE ACTIVITY IN VOLTAGE-GATED SODIUM CHANNELS”.

718/2019 KUMIAI CHEMICAL INDUSTRY CO., LTD, Japan.(Priority 31st October, 2018, JP).—“CONTROL METHOD OF SMALL GRAIN CEREALS DISEASE, SEED OF SMALL GRAIN CEREALS, AND SUPPRESSION METHOD OF LODGING DAMAGE OF SMALL GRAIN CEREALS”.

719/2019 Mohsin Khan Janjua son of Zahid Mahmood Janjua; Mudasar Ashfaq son of Ashfaq Ahmad and Muhammad Umer Farooq son of Muhammad Azam, Pakistan.—“A SYSTEM FOR CONVERTING MANUAL AUTOMOBILE GEAR IN TO AUTOMATIC GEAR SHIFTING”.

720/2019 SHELL INTERNATIONAL RESEARCH MAATSCHAPPIJ B.V., Netherlands (Priority 2nd November, 2018, EP).—“SEPARATION OF ETHANE OXIDATIVE DEHYDROGENATION EFFLUENT”.

721/2019 Hasnain Sajjad Jaffery, U.S.A. (Priority 6th August, 2019, US).—“SYSTEM AND METHOD FOR SCREENING ENTITIES USING MULTI-LEVEL RULES AND FINANCIAL INFORMATION”.

722/2019 LES LABORATOIRES SERVIER and NOVARTIS AG, Switzerland (Priority 31st October, 2018, US).—“CYCLODEXTRIN-BASED FORMULATION OF A BCL-2 INHIBITOR”.

**31st October, 2019**

723/2019 Novartis AG and ADURO Biotech, Inc., U.S.A. (Priority 31st October, 2018, US).—“DC-SIGN ANTIBODY CONJUGATES COMPRISING STING AGONISTS”.

724/2019 MERCK SHARP & DOHME CORP., U.S.A. (Priority 2nd November, 2018, US).—“2-AMINO-N-HETEROARYL-NICOTINAMIDES AS NAV1.8 INHIBITORS”.

725/2019 British American Tobacco(Investments) Limited, United Kingdom (Priority 2nd November, 2018, UK).—“METHOD”.

**1st November, 2019**

726/2019 ZAHEEN MACHINES (PVT) LIMITED, Pakistan.—“GEYSER TIMER DEVICE FOR ANALOG WATER HEATER THERMOSTAT”.

727/2019 Asghari Bano and Tariq Mahmood, Laraib Masood, Muhammad Muneeb Asim, Pakistan.—“Antimicrobial Nanomaterial for stopping excessive bleeding”.

728/2019 Syngenta Participations AG, Switzerland (Priority 5th November, 2018, EP).—“PESTICIDALLY ACTIVE AZOLE-AMIDE COMPOUNDS”.

729/2019 Optera Digital, Pakistan.—“A Method for Presenting Ads with 2D Images Combined to Give the Impression of a 3D Object”.

730/2019 Breakthrough Technologies, LLC., U.S.A. (Priority 2nd November, 2018, US).—“CONDENSING VAPOR”.

731/2019 BIOCRYST PHARMACEUTICALS, INC., U.S.A. (Priority 2nd November, 2018, US).—“Crystalline Salts of a Plasma Kallikrein Inhibitor”.

732/2019 Alnylam Pharmaceuticals, Inc., U.S.A. (Priority 10th November, 2014, U.S.A.; 10th November, 2014 US) .—“A DOUBLE STRANDED RNAI AGENT FOR INHIBITING EXPRESSION OF HEPATITIS B VIRUS (HBV) AND PHARMACEUTICAL COMPOSITIONS AND USES THEREOF”.

733/2019 AiCuris GmbH & Co. KG, Germany (Priority 2nd November, 2018, EP).—“NOVEL UREA 6,7-DIHYDRO-4H-THIAZOLO[5,4-C]PYRIDINES ACTIVE AGAINST THE HEPATITIS B VIRUS (HBV)”.

- 734/2019 AiCuris GmbH & Co. KG, Germany (Priority 2nd November, 2018, EP).—"NOVEL 6,7-DIHYDRO-4H-PYRAZOLO[1,5-A] PYRAZINE INDOLE-2- CARBOXAMIDES ACTIVE AGAINST THE HEPATITIS B VIRUS (HBV)".
- 735/2019 AiCuris GmbH & Co. KG, Germany (Priority 2nd November, 2018, EP).—"NOVEL 6,7-DIHYDRO-4H-PYRAZOLO[1,5-A] PYRAZINE INDOLE-2- CARBOXAMIDES ACTIVE AGAINST THE HEPATITIS B VIRUS (HBV)".
- 736/2019 AiCuris GmbH & Co. KG, Germany (Priority 2nd November, 2018, EP).—"NOVEL UREA 6,7-DIHYDRO-4H-PYRAZOLO[1,5-A] PYRAZINES ACTIVE AGAINST THE HEPATITIS B VIRUS (HBV)".
- 737/2019 AiCuris GmbH & Co. KG, Germany (Priority 2nd November, 2018, EP).—"NOVEL UREA 6,7-DIHYDRO-4H-PYRAZOLO[1,5-A] PYRAZINES ACTIVE AGAINST THE HEPATITIS B VIRUS (HBV)".
- 738/2019 AiCuris GmbH & Co. KG, Germany (Priority 2nd November, 2018, EP).—"NOVEL UREA 6,7-DIHYDRO-4H-PYRAZOLO[4,3-C] PYRIDINES ACTIVE AGAINST THE HEPATITIS B VIRUS (HBV)".

### **APPLICATION ACCEPTED**

Notice is hereby given that the person interested in opposing the grant of Patents to any of the applications referred to below at any time within four months from the date of this Patents' journal may give notice at the Patent Office on the prescribed Form P-7 of the Patents Rules 18(1) of 2003.

The six figures number shown in the right hand side are those given to applications on acceptance of the complete specification under which the specification will be printed and subsequent proceeding taken.

The figures shown within square brackets after the title of inventions indicate their classification index at acceptance.

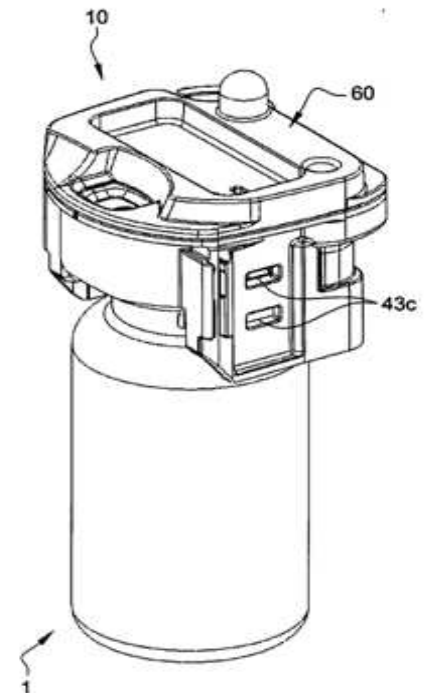
Typed copies of the specification which are to open to public inspection can be supplied by the Patent Office on payment of the prescribed charges which may be ascertained on application to the office.

- 520/2013 BECTON DICKINSON FRANCE. France. "CLOSING SYSTEM FOR A CONTAINER".

A61J1/14, A61J7/04, B65D47/26 & B65D51/00.

143336

The invention relates to a closing system for a container to be hold with a single hand, said closing system comprising: a cap (40) comprising a a skirt and a transversal wall (41) provided with an access port (44), a cover (60) substantially parallel to said cap and comprising a guiding member intended to be used by a user to manipulate said cover, a hinge (46, 66) allowing a planar rotation of the cover (60) regarding the cap (40) from a first position closing said access port (44) to a second position giving access to the access port.



11/2016

ASAHI GROUP HOLDINGS, LTD, Japan.— "PRODUCTIVE TILLERING-PROMOTING AGENT AND METHOD OF PROMOTING PRODUCTIVE TILLERING".

143337

A novel technique capable of promoting productive tillering is provided. A productive tillering promoting agent contains a superheated steam treated microbial material obtained by subjecting a mixture containing a yeast, an extract of a yeast or a cell wall of a yeast, phosphoric acid or a phosphoric acid compound, and potassium or a potassium compound to superheated steam treatment.

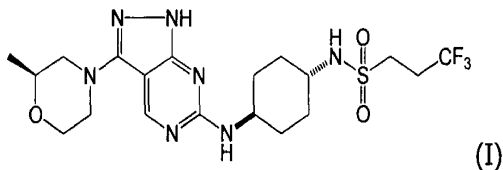
40/2016

GlaxoSmithKline Intellectual Property Development Limited and University of Dundee, United Kingdom.— "COMPOUND 3,3,3-trifluoro-N-((1,4-trans)-4-(((S)-2-methylmorpholino)-1H-pyrazolo [3,4-d] pyrimidin-6-yl)amino)cyclohexyl)propane-1-sulfonamide, ITS OPPOSITE ENANTIOMER, AND PHARMACEUTICAL COMPOSITIONS THEREOF".

143338

**SEALING FEES DUE-**

The compound 3,3,3-trifluoro-N-((1,4-trans)-4-((3-((S)-2-methylmorpholino)-1H-pyrazolo[3,4-d]pyrimidin-6-yl)amino)cyclohexyl)propane-1-sulfonamide, having the Formula (I):



its opposite enantiomer, compositions comprising the compound and its use in the treatment or prevention of leishmaniasis, particularly visceral leishmaniasis.

Notice is hereby given that the Patent may now be sealed on the application referred to below if it is desired that Patent should be sealed a request on the prescribed Form-10 accompanied by the fee of Rs.6750/- should be sent to the Controller of Patents and Designs, The Patent Office, Karachi.

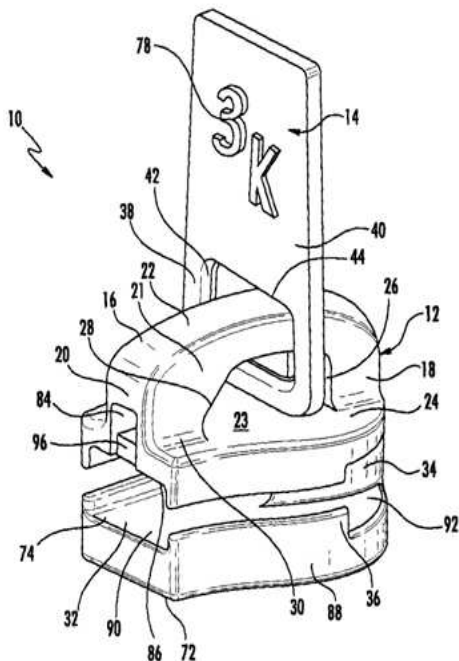
Accepted No.	Applicant Name	Application No.
143180	MERIAL LIMITED, U.S.A.	72/2013
143181	DOW AGROSCIENCES LLC., U.S.A.	886/2013
143182	JTG and Partners Pty Ltd. Australia.	376/2014
143183	DOW AGROSCIENCES LLC., U.S.A.	733/2014
143184	DOW AGROSCIENCES LLC., U.S.A.	735/2014
143185	QUADRO VEHICLES SA., Switzerland.	381/2015
143186	DOW AGROSCIENCES LLC., U.S.A.	542/2015
143187	DOW AGROSCIENCES LLC., U.S.A.	589/2015
143188	UNILEVER PLC. United Kingdom.	84/2016
143189	UNILEVER PLC.. United Kingdom.	133/2016
143190	DR. HIFSA SHAHID, Pakistan.	368/2016

186/2017 Shah Technologies LLC., U.S.A.—“A METAL LOCKING SLIDE ASSEMBLY FOR A ZIPPER”.

A44B19/30.

143339

The invention discloses a metal locking slide assembly for a zipper, and a method for manufacturing said metal locking slide assembly for a zipper. The locking slider assembly is formed in a single die cast operation to include the locking slider and the pull member being formed simultaneously. At least one side shifting slide is incorporated into the die, which allows the bridge and pull loop to be formed with their full geometric shape and without the converging flat surfaces.



**NEW APPLICATIONS FOR THE INDUSTRIAL DESIGNS**

Design No.	Title & Class	Applicant
<b>28th October, 2019</b>		
20129	Carpet (Class-08)	Ch. Mubasher Hussain (Chief Executive), Nayer Industries (Pvt.) Ltd.,
20130	Carpet (Class-08)	Ch. Mubasher Hussain (Chief Executive), Nayer Industries (Pvt.) Ltd.,
20131	Carpet (Class-08)	Ch. Mubasher Hussain (Chief Executive), Nayer Industries (Pvt.) Ltd.,
20132	Carpet (Class-08)	Ch. Mubasher Hussain (Chief Executive), Nayer Industries (Pvt.) Ltd.,
20133	Carpet (Class-08)	Ch. Mubasher Hussain (Chief Executive), Nayer Industries (Pvt.) Ltd.,

**REGISTRATION OF DESIGNS**

The following designs have been registered.

S. No.	Design No.	Title & Class	Applicant
<b>28th October, 2019</b>			
1.	19867	Pencil with Eraser (Class-03)	INDUS PENCIL INDUSTRIES (PVT) LIMITED
2.	19869	Serving Dish with Lid (Class-03)	DOVE MELAMINE WARE
3.	19832	Plastic Can (Class-03)	Haris Khan
4.	19863	Pet Bottle (Class-12)	Tricon Beverages (Pvt.) Ltd.,
5.	19161	HOT POT (Class-03)	SHOAIBEE INDUSTRIES
6.	19162	HOT POT (Class-03)	SHOAIBEE INDUSTRIES
7.	19868	Serving Dish with Lid (Class-03)	DOVE MELAMINE WARE

S. No.	Design No.	Title & Class	Applicant
<b>31st October, 2019</b>			
8.	19477	STREET LAMP (Class-01)	ICGH Investment and Consulting GmbH.
9.	19837	ECO-8 Mini Shuttle 8 Seats (Class-01)	Muhammad Aslam Azad,
10.	19910	Plate (Class-03)	Syed Muhammad Fazal-Ur-Rahman
11.	19909	Plate (Class-03)	Syed Muhammad Fazal-Ur-Rahman
12.	19908	Plate (Class-03)	Syed Muhammad Fazal-Ur-Rahman

DR. MUHAMMAD FAYYAZ AHMAD,  
Controller of Patents & Registrar of Designs.



**PUBLISHED BY AUTHORITY**

**KARACHI, WEDNESDAY, JULY 29, 2020**

## **PART VI**

**Advertisements and Notices issued by Corporate Bodies and  
Private Individuals on payment**

**PAKISTAN STOCK EXCHANGE LIMITED**

NOTIFICATION

Date: June 26, 2020

In exercise of powers conferred upon Securities and exchange Commission of Pakistan (SECP) under Section 8(3) of the Securities Act, 2015, Pakistan Stock Exchange Limited (PSX), with the prior approval of the SECP, hereby makes the following amendments to PSX Regulations, which shall take effect from March 16, 2020.

### **Chapter 10: READY DELIVERY CONTRACTS MARKET REGULATIONS**

**1. Sub-clause 10.5.2 (b) of PSX Regulations has been amended to read as under:**

**10.5. TRADING AND SETTLEMENT CYCLE:**

**10.5.2. FOR UNPAID LETTER OF RIGHTS (LORS):**

- (b) The Exchange may allow trading in the LoRs for a period not less than fifteen days and not exceeding thirty days prior to the last date of payment fixed by the company and shall discontinue its trading atleast five (5) Working/Settlement Days prior to the last date of payment.

### **Chapter 19: RISK MANAGEMENT REGULATIONS**

**2. Clause 19.4A of PSX Regulations has been amended to read as under:**

**19.4A. INDEX-BASED MARKET HALTS:**

- (i) The Exchange shall apply index-based market halt in case KSE-30 index moves 4% either way from its last day closing index value. Once circuit breakers reach the level of 7.5% or Re.1, whichever is higher, under Regulation 19.4(a), index based market halts shall only be applicable in case KSE-30 index moves 5% either way.
- (ii) In case, KSE-30 Index continues to trade 4% or 5%, as applicable, above or below its last day closing index value for consecutive 5 minutes, the trading in all securities shall be halted for 45 minutes. Upon imposition of a market halt, the following measures shall be taken:
- (i) All equity and equity based derivative markets shall be suspended.
- (ii) The market shall have a five (5) minutes pre-open before its re-opening.
- (iii) NCCPL shall collect margins including Mark-to-Market losses from its Clearing Members as per its Regulations. Only those BCMs shall be allowed to trade after resumption of trading for that day which have deposited the required margins with NCCPL.

Provided that the market halt shall not be applicable in case KSE-30 index moves beyond 4% or 5% as applicable in the last 1 hour of the market.

**Chapter 22: BROKERS' OFFICE/BRANCH OFFICE REGULATIONS**

3. **Sub-clauses 22.3 (c), (d), (e) and (h) have been deleted.**
4. **Sub-clauses 22.3 (i), (k) and (m) have been re-numbered as 22.3 (e), (g) and (i), respectively and amended to read as under:**

**22.3. PROCEDURE FOR OPENING OF OFFICE/BRANCH OFFICE:**

A Broker may open its Office(s)/Branch Office(s) within and outside the premises of the Exchange for conducting business and trading of securities in accordance with these Regulations as well as the law applicable in this behalf subject to prior approval of the Exchange in writing and completion of the following formalities:

- (e) Detail of payment of Registration fee per office/per branch as prescribed by the Exchange from time to time;
- (g) name of the Branch Head of the office, his/her residential and permanent addresses, copy of CNIC, two latest photographs, and detailed profile;
- (i) the Broker shall submit details of the number of trading workstations connected through KATS, KITS, IBTS, Fix Gateway etc. including IP addresses of each such terminal installed at the new branch, within one month from the date of opening of branch.

Provided that no brokers shall open an Office/Branch Office in the Capital Market Hub without prior approval of the Commission. The broker shall submit an application through the Exchange for opening of a branch in the Capital Market Hub for onward submission to the Commission for approval, which shall accompany with the aforementioned information/documents alongwith the recommendation of the Exchange.

Provided further that the Broker shall complete and submit above information with the Exchange at least 30 days prior to proposed date of opening of its Office/Branch Office.

Provided further that, where a Broker wishes to acquire up to such number of additional rooms/offices in the same premises of the Exchange as may be specified by the Exchange where the Broker already has a registered Office/Branch Office, such Broker shall only be exempted from the separate registration of such additional offices/ rooms subject to compliance with the procedures notified by the Exchange in this regard from time to time. Such additional rooms shall be considered as registered Office/Branch Office of such Broker and subject to all other requirements of this Chapter.

5. **Sub-clause 22.4 (d) has been deleted.**
6. **Sub-clause 22.6.3 (f) and (g) of PSX Regulations have been newly inserted:**

**22.6. OBLIGATIONS OF A BROKER WITH RESPECT TO OFFICE/BRANCH OFFICE:**

**22.6.3. DISPLAY OF INFORMATION AT OFFICE/BRANCH OFFICE:**

The Broker shall keep displaying at all the times at a visible location at the reception/front office of the Office(s)/Branch Office(s) the following information:

- (f) All payments from the clients to the Broker shall be made in the name of such Broker through "A/c Payee Only" crossed cheque, bank drafts, pay orders or other banking channels only.
- (g) Any change in email address, mobile number, office phone number, mailing address, registered/ permanent addresses or other related information should be intimated immediately to the Broker.

Provided that the information mentioned in sub-clause (f) and (g) of this clause shall also be prominently displayed at the official website and all social media platforms of the Broker.

**Chapter 23: SYSTEM AUDIT [REGULATORY COMPLIANCE] REGULATIONS****7. Schedule A [Scope of Audit] has been amended to read as under:****5. Branch Offices & Agents**

5.7 Check that information mentioned under clause 22.6.3 in Chapter 22 of these Regulations is displayed at Office/Branch Office and website where required and a board at a conspicuous place at the reception/front office is displayed which contains the requirements as mentioned in chapter 22 of these Regulations for conducting the business and trading of securities within and outside the Exchange.

ABBAS MIRZA,  
GM & Acting Chief Regulatory Officer,  
Pakistan Stock Exchange Limited.

**PAKISTAN STOCK EXCHANGE LIMITED****NOTIFICATION**

Date: June 26, 2020

In exercise of powers conferred upon Securities and Exchange Commission of Pakistan (SECP) under Section 8(3) of the Securities Act, 2015, Pakistan Stock Exchange Limited (PSX), with the prior approval of the SECP, hereby makes the following amendments to PSX Regulations in relation to (i) non-applicability 30 days' notice period for revising the marketable lot of ETF constituent stocks; (ii) applicability of circuit breakers on ETFs, (iii) allowing financial institutions to act as market makers; (iv) avoiding immediate suspension of trading in shares of non-compliant Listed Companies and (iv) non-suspension of trading in shares of a Listed Company in certain events. These approved amendments have taken effect immediately from the date of letter of approval *i.e.* May 21, 2020.

**Chapter 2: INTERPRETATION AND DEFINITIONS**

1. Clause 2.4 (vi) and (xxxiii.a) of PSX Regulations have been amended to read as under:

**2.4. GENERAL DEFINITIONS:**

In these Regulations, unless there is anything repugnant in the subject or context:

vi. Authorized Participant (AP) means a company specified under clause 12.3.2.1. of these Regulations, appointed by the AMC under the Authorized Participant Agreement and Obligations and responsibilities of whom are also specified in the Constitutive Documents and Chapter 16 of these Regulations;

xxxiii.a. Designated Market Maker shall mean a company appointed by the Exchange under Chapter 12 of these Regulations to function as the Market Maker in terms of Designated Market Maker Agreement.

**Chapter 5: LISTING OF COMPANIES AND SECURITIES REGULATIONS**

2. Sub-clause 5.11.1 of PSX Regulations has been amended to read as under:

**5.11. DEFAULTERS' SEGMENT, SUSPENSION AND DE-LISTING:**

5.11.1. A listed company may be placed in the Defaulters' Segment if:

(a) It has not commenced its commercial production in the case of a manufacturing company or business operations in the case of any other company within ninety (90) days of the date of commencement of commercial production/ business operations as disclosed in its Prospectus;

Upon placement of such company on the Defaulters' Segment, the Exchange shall only initiate actions under Regulation 5.11.2 (a) and 5.11.2(b).

(b) It has suspended commercial production/ business operations in its principle line of business for a continuous period of one year;

Upon placement of such company on the Defaulters' Segment, the Exchange shall only initiate actions under Regulation 5.11.2(a) and 5.11.2(b).



(d) It has failed to submit its annual audited accounts for the immediately proceeding financial year as per law;

Upon placement of such company on the Defaulters' Segment, the Exchange shall only initiate actions under Regulation 5.11.2(a) and 5.11.2(b). However, if such company fails to submit its annual accounts for two consecutive years, trading in shares of the company shall be suspended by the Exchange and the company shall be given 90 days to rectify the non-compliance, failing which, the Exchange shall initiate further actions against the company commencing from Regulation 5.11.2(e).

(h) Its CDS eligibility has been revoked by the CDC;

Trading in shares of such company shall be suspended immediately by the Exchange upon its placement on the Defaulters' Segment and the company shall be given 90 days to rectify the non-compliance, following which the Exchange shall initiate further actions against the company commencing from Regulation 5.11.2(e).

(i) Its statutory auditor has issued a qualified opinion on the going concern assumption or has issued a disclaimer or an adverse opinion in the audit report;

Upon placement of such company on the Defaulters' Segment, the Exchange shall only initiate actions under Regulation 5.11.2(a) and 5.11.2(b).

(j) License of the listed regulated person or listed company, as the case may be, has been cancelled for revoked by the Commission or licensing authority;

Trading in shares of such company shall be suspended by the Exchange and the company shall be given 90 days to rectify the non-compliance, failing which, the exchange shall initiate further actions against the company commencing from Regulation 5.11.2(e).

(l) A show cause notice for winding up has been issued to the company by the Commission;

Upon placement of such company on the Defaulters' Segment from the date on which the Exchange receives informations from the commission regarding issuance of show cause notice for winding-up of the company, the Exchange shall initiate actions under Regulation 5.11.2(a) and 5.11.2(b).

Provided that the Exchange upon receiving information that the Commission has passed order for winding-up of the company, shall immediately disseminate such information to the general public.

Provided further that upon receipt of information regarding filling of winding-up petition against the company in Court by the Commission, the Exchange shall suspend trading in shares of the Company.

The Exchange shall proceed to delist such company upon appointment of official liquidator by Court, without providing the company with opportunity for compulsory buy-back.

(m) Winding-up petition is filed by creditor(s) or shareholder(s) in the Court subject to the following conditions:

(i) such creditor or creditors, either severally or jointly, have a claim against the company which is equivalent to at least ten percent of the equity of the company as per the latest accounts available with the Exchange:  
or

(ii) such shareholder or shareholders, either severally or jointly, own at least ten percent of the company's paid-up capital;

Upon placement of such company on the Defaulters' Segment from the date on which the Exchange receives information regarding commencement of its winding-up, the Exchange shall initiate actions under Regulation 5.11.2(a) and 5.11.2(b) and suspend trading in shares of the Company.

The Exchange shall proceed to delist such company upon appointment of official liquidator by Court, without providing the company with opportunity for compulsory buy-back.

(n) Voluntary winding-up proceedings have commenced through passing of special resolution;

Upon placement of such company on the Defaulters's Segment from the date of receipt of information from such company regarding passing of special resolution for voluntary winding-up, the Exchange shall initiate actions

under Regulation 5.11.2(a) and 5.11.2(b) and suspend trading in the shares of such company. The Exchange shall proceed to delist such company upon appointment of liquidator/ official liquidator as the case may be, without providing the company with opportunity for compulsory buy-back.

3. Sub-clause 5.11.2 of PSX Regulations has been amended to read as under:

5.11.2. Upon placement of a company or its Security on the Defaulters' Segment pursuant to sub-clause 5.11.1, the Exchange shall initiate the following actions unless specific actions are provided under any of the sub-clauses to Regulation 5.11.1 above:

- (b) Advise the CDC and/ or Registrar in case of physical shares to freeze the shares of the company placed on the Defaulters' Segment in the CDS accounts or in the name of the sponsors, directors and senior management of the Company, as per relevant information to be provided to the CDC/ Registrar by the Exchange;

Provided that in case of charge of management/ revival of the company, the Exchange may request CDC/ Registrar to allow transfer of such blocked shares to any other person(s) in the same form upon submission of a valid scheme of revival including supporting documents and agreements to the Exchange.

Provided further that upon placement of a company on the Defaulters's Segment under sub-clause 5.11.1(a) and (b), the Exchange may in addition to taking action as above instruct such Company to take necessary measures to commence/ resume commercial production or business operations, as the case may be, and submit monthly progress report to the Exchange for dissemination to market participants.

- (c) Instruct the Company to rectify the non-compliance(s) within the specified time not exceeding 90 days from the date of placement of the Company on the Defaulters' Segment;

4. Sub-clause 5.11.4 of PSX Regulations has been newly inserted:

5.11.4. Mechanism to be followed for Suspension of Trading in the Shares:

The Exchange shall suspend trading in the shares of a Company under these Regulations by providing the company with notice of 14 trading days for submitting reasons as to why trading in its shares may not be suspended by the Exchange. Upon failure of the company to rectify its default within 7 trading days from the date of such notice, trading in shares of the company shall be allowed only on T+O (SPOT) for the next 7 days, and upon continued failure of the company to rectify its default, the Exchange shall suspend trading in the shares of the company from the 15th trading days.

Provided that the Exchange shall obtain clearance from the Commission prior to providing the company with notice of 14 trading days as aforesaid under clause 5.11.1(l).

Provided further that the trading in the shares of a company shall be suspended immediately under clause 5.11.1(h) without following the above mechanism of suspension.

5. Sub-clause 5.11.4, 5.11.5 and 5.11.6 of PSX Regulations have been renumbered as 5.11.5, 5.11.6 and 5.11.7 respectively.

#### **Chapter 10: READY DELIVERY CONTRACTS MARKET REGULATIONS**

6. A proviso to sub-clause 10.4.1 (c) of PSX Regulations has been newly inserted to read as under:

10.4. STANDARIZED MARKETABLE LOTS:

10.4.1. BOOK-ENTRY SECURITIES:

- (c) The following shall be applicable on Book-entry Securities with Marketable Lots of more than one:
- (i) The Clearing Company shall determine Marketable Lots based on the Closing Prices of the Securities at the Exchange. On the basis of which the Clearing Company will notify the Marketable Lots to all market participants.
- (ii) The Marketable Lot shall be revised after giving at least 30 days' notice in advance in coordination with the Clearing Company.

Provided that the sub-clause (ii) shall not apply to ETF constituent stocks which shall be disclosed by the Exchange in accordance with the index policy agreed with the concerned AMC.

### **Chapter 12: MARKET MAKERS REGULATIONS**

7. A new definition has been inserted under clause 12.1. of PSX Regulations:

#### 12.1 DEFINITIONS:

In this chapter, the following expressions shall, unless the context requires otherwise, have the meanings herein specified below:

- (b) "Designated Broker" shall mean a Securities Broker performing market making activities on behalf of the company specified in clause 12.3.2.1 (b), (c) and (d) and (e) through a bilateral arrangement which shall make available the bids and offers either sequentially or simultaneously in the Assigned Security;

8. Sub-clause 12.1 (b) has been renumbered as 12.1 (c).

9. Sub-clause 12.3.1 of PSX Regulations has been amended to read as under:

#### 12.3. DIVISION 1- DESIGNATED MARKET MAKERS:

##### 12.3.1. Qualifications and Application of Designated Market Makers:

A company may apply to the Exchange to be a Designated Market Maker by submitting an application on a prescribed format and executing a Designated Market Making Agreement.

10. Sub-clause 12.3.2. of PSX Regulations has been amended to read as under:

##### 12.3.2. Appointment of Designated Market Makers:

12.3.2.1. The Exchange may appoint any of the following companies as Designated Market Maker for an Assigned Security:

- (a) A Securities Broker, based on the eligibility criteria including but not limited to the minimum capital, required technology, trained personnel and satisfactory compliance history and past track record in dealing with complaints and arbitration award(s).
- (b) A Banking Company, as defined under the Banking Companies Ordinance, 1962;
- (c) A Development Finance Institution (DFI);
- (d) A Collective Investment Scheme (CIS) as defined under the Non-Banking Finance Companies and Notified Entities Regulations, 2008 and the Constitutive Document allows such CIS to act as Market Maker; and
- (e) Any other company permitted by the Exchange and approved by the Commission.

Provided that an eligible Market Maker, other than a Securities Broker, must comply with the eligibility criteria specified by the Exchange which shall include minimum rating, required technology, trained personnel etc. Such market maker must have obtained prior written consent from Designated Broker(s).

The Exchange may consult the issuer but reserves the right to make the final decisions in all Designated Market Maker assignments matters.

### **Chapter 19: RISK MANAGEMENT REGULATIONS**

11. Sub-clause 19.4(a) of PSX Regulations has been amended to read as under:

#### 19.4. SCRIP-BASED CIRCUIT BREAKER:

- (a) The Exchange shall apply security-wise circuit breaker for each Market separately (except Stock Index Futures Market, Index Option Market and Odd. Lots Market) in case of price fluctuation of 5% or Re.1/-, whichever is higher from the security's Closing Price of the previous day which shall increase 0.5% after every 15th day till the time the circuit breakers reach the level of 7.5% or Re.1, whichever is higher.

Provided that for ETF, there shall be a security-wise circuit breaker in case of price fluctuation of 7.5% from the closing price of ETF on previous day or circuit breaker as notified by the Exchange from time to time under this clause.

Provided further that, where ETF underlying constituents comprise of stocks which are subject to both values of circuit breakers *i.e.* Re.1/- and percentage based circuit breaker, the circuit breaker of such ETF shall be applied as the weighted average circuit breaker applicable on underlying constituents for the day.

12. Sub-clause 19.4(b) (vi) of PSX Regulations has been newly inserted:

(b) Circuit breakers on the first trading day of a security shall be applicable as follows:

(vi) During the first trading day of ETF on the Ready Delivery Contract Market, the circuit breaker on ETF shall apply on the ETF NAV of the previous day in the same manner as specified for ETF in proviso 19.4.(a).

ABBAS MIRZA,  
GM & Acting Chief Regulatory Officer,  
Pakistan Stock Exchange Limited.

---

## PAKISTAN STOCK EXCHANGE LIMITED

### NOTIFICATION

Date: June 26, 2020

In exercise of powers conferred upon Securities and Exchange Commission of Pakistan (SECP) under Section 8(3) of the Securities Act, 2015, Pakistan Stock Exchange Limited (PSX), with the prior approval of the SECP, hereby makes the following amendments to PSX Regulations in relation to liquidation and close-out in Deliverable Futures Market. These approved amendments have taken effect immediately from the date of letter of approval *i.e.* March 30, 2020.

#### **Chapter 13: DELIVERABLE FUTURES CONTRACT MARKET REGULATIONS**

Clause 13.6.6. of PSX Regulations has been newly inserted:

13.6.MARGINS:

13.6.6. Upon receipt of a notice from NCCPL regarding suspension of a Broker Clearing Member due to its failure to settle money obligations in the Deliverable Futures Contract Market, the Exchange shall facilitate NCCPL in liquidating, squaring-up and/or closing out the unsettled and open positions of such suspended Broker in accordance with the procedures devised by the NCCPL in consultation with the Exchange.

ABBAS MIRZA,  
GM & Acting Chief Regulatory Officer,  
Pakistan Stock Exchange Limited.

---

## CORRECTION OF NAME AND FATHER'S NAME

My Name & My Father's correct name is Tabinda Farooqui D/o. Nusrat Kamal Farooqui instead of Tabinda D/o. Nusrat Kamal Farooque, kindly read, write and call me as per correct name.

TABINDA FAROOQUI,  
D/o. Nusrat Kamal Farooqui.

---

## CORRIGENDUM

In the Gazette of Pakistan (Weekly) (Part-VI) dated 19th February, 2020, under caption " Correction of Father's Name" my degree is mentioned as "Bachlor of Science" while my degree is "Bachlor of Arts".

Kindly read, write and call my degree as "Bachlor of Arts".

SIDRA TAQI,  
D/o. Taqi Muhammad Qureshi.