



The Gazette of Pakistan

PUBLISHED BY AUTHORITY

No. 30]

KARACHI, WEDNESDAY, JULY 22, 2020

CONTENTS

	PAGES		PAGES
PART I — Notifications regarding appointments, promotions, etc., issued by Ministries/ Divisions of the Government of Pakistan, Department of the Auditor-General of Pakistan and the Supreme Court of Pakistan other than the Ministry of Defence and Ministry of Defence Production..	825—847	PART IV — Notifications issued by the minor administrations and miscellaneous notification not included in any other part	43—44
PART II — Notifications issued by the Ministry of Defence and Ministry of Defence Production	345—369	PART V — Notifications etc., issued by The Patent Office.	27—38
PART III — Notifications issued by the High Courts, the Federal Public Service Commission and by the Attached and Subordinate Offices of the Government of Pakistan	593—601	PART VI — Advertisements and Notices issued by Corporate Bodies and Private Individuals on payment..	149—150
		SUPPLEMENT NO.	
		Weekly, notification of cases and deaths from quarantiable diseases	

PART I

Notifications regarding appointments, promotions, etc. issued by Ministries/Divisions of the Government of Pakistan, Department of the Auditor-General of Pakistan and the Supreme Court of Pakistan other than the Ministry of Defence and Ministry of Defence Production

PRIME MINISTER'S OFFICE

[BOARD OF INVESTMENT]

Islamabad, the 2nd July, 2020

No. 3(183)-HR/2017.—Mr. Jamil Ahmad Qureshi, Director General (BS-20), Board of Investment, Islamabad is hereby granted twenty one (21) days ex-Pakistan leave on full pay (LFP) from 6th July, 2020 to 26th July, 2020.

On the expiry of above leave, he is likely to resume his duty on the same post and station.

MUHAMMAD NAEEM,
Deputy Director (HR).

Islamabad, the 9th July, 2020

No. 3(179)-HR/2016.—Mr. Athar Hussain Tanwari, Statistical Officer (BS-17), Prime Minister's Office, Board of Investment, Islamabad is hereby granted twenty six (26) days leave on full pay (LFP) from 13th July, 2020 to 7th August, 2020, with permission to prefix and suffix closed holidays falling on 11th July, 2020 to 12th July, 2020 and 8th August, 2020 to 9th August, 2020.

On expiry of above leave, he is likely to resume his duty on the same post and station.

M. INAM-UL-HAQ,
Dy. Assistant Director (HR).

(825)

Islamabad, the 24th June, 2020

No. 1(12)-BOI-CPEC-2017.—On advice of the Advisor to Prime Minister for Commerce and Investment, the Chairman BOI, being Convener of the Joint Working Group on Industrial Cooperation, is pleased to reconstitute the following CPEC Business Council to accelerate the process of industrialization under the umbrella of the CPEC :-

S. No.	Name & Designation with Ministry/Department and Organization	Position
PUBLIC SECTOR MEMBERS		
1.	Mr. Abdul Razak Dawood, Advisor to Prime Minister for Commerce and Investment.	Chair & Member Steering Committee
2.	Mr. Atif R. Bokhari, Minister of State & Chairman, BOI	Member Steering Committee
3.	Lt. Gen. (R) Asim Saleem Bajwa, Chairman, CPEC Authority.	Member Steering Committee
MEMBERS		
S. No.	Name	Areas of Cooperation
4.	Mr. Muhammad Ali Tabba. CEO, Lucky Cement.	Infrastructure
5.	Mr. Murtaza Hashwani, CEO, Pakistan Services Limited.	Tourism
6.	Mr. Musaddiq Zulqarnain, Chairman, Interloop	Textile
7.	Mr. Asif Peer, CEO, Systems Limited.	Information Technology
8.	Mr. Sultan Ali Allana, Chairman, HBL.	Banking & Financial Services
9.	Mr. Fawad Mukhtar, CEO, Fatima Group.	Agriculture / Agri Inputs / Livestock
10.	Mr. Shahryar Chishty, CEO, Daewoo Pakistan Express Bus Service Limited.	Automobile / Low Tech.
11.	Mr. Faisal Afridi, CEO Haier & Ruba.	Consumer Electronics
12.	Mr. Khalid Mahmood, Managing Director & CEO Getz Pharma.	Pharma
13.	Mr. Riyaz T. Chinoy, CEO, International Industries Limited.	Steel
14.	Chairman, Pakistan Chemical Manufacturers Association.	Petrochemicals / Chemicals
15.	President, Federation of Pakistan Chamber of Commerce & Industry.	

2. Detailed TORs of the Advisory Group are as follows :
- I. To be consultative forum between business community and government on matters related to private investments under CPEC.
 - II. To make specific recommendations for private sector investment in Pakistan under Industrial Cooperation.
 - III. To propose feasible projects for investments for discussion with Chinese Business Companies.
 - IV. To formulate strategies for expediting ongoing and future B2B projects under industrial cooperation.
 - V. To discuss and explore opportunities and develop new investment model for future projects of CPEC.
 - VI. To advise on developing an integrated approach on future development of Industrial Cooperation under CPEC with special focus on agriculture, industry, housing, tourism and any other potential area or sectors mentioned in the CPEC long- term plan.
 - VII. To advise on any other issue referred by the concerned Ministries.
3. The Business Council on CPEC is initially formulated for a period of two years from the date of notification and shall automatically stand dissolved on the date of expiry of its term, unless otherwise further extended through a notification by the competent authority.
4. This notification hereby supersedes BOI's earlier notification of even number, dated 27th March, 2019 regarding the composition of CPEC business council.

ASIM AYUB,
Project Director (CPEC-ICDP).

[NATIONAL DISASTER MANAGEMENT AUTHORITY]

Islamabad, the 6th July, 2020

No. 1(144)/2016-NDMA (A&P).—With the approval of the Chairman, NDMA, the contract period of Lt. Col. (R) Raza Iqbal, Director (BS-19), NDMA is extended for a period of two years, with effect from 29th June, 2020 to 28th June, 2022.

MUHAMMAD TAHIR UD DIN,
Deputy Director (Admin.).

Deputy Director (BS-18), Nab (Rawalpindi) to proceed to Norway to see his ailing father.

On expiry of leave, the officer shall resume his duties of the same post.

MUHAMMAD SHOAIB,
Deputy Director (PM-II).

CABINET SECRETARIAT
(Cabinet Division)

Islamabad, the 14th July, 2020

NATIONAL ACCOUNTABILITY BUREAU

Islamabad, the 8th July, 2020

No. 3(271)/R/2006-Admn-I.—In pursuance of this Bureau's Notification No. 3(615)/B/2007-PM-III, dated 23rd June, 2020, Mr. Saeed Iqbal Khan has relinquished the charge of the post of Deputy Director (BS-18) at NAB (KP) Peshawar, with effect from 26th June, 2020 and assumed the charge of the post of Deputy Director (BS-18), CI & MT NAB (HQ), Islamabad on 30th June, 2020.

Islamabad, the 9th July, 2020

No. 3(1177)/R/2013/PM-II.—The Chairman NAB is pleased to approve 30 days ex-Pakistan leave on full pay, with effect from 9th July, 2020 to 7th August, 2020 or from the date of availing in respect of Mr. Adnan Mahmood,

No. 4/1/2019-RA-II/OGRA.—In partial modification of this Division's notification of even number, dated 2nd July, 2020, the Prime Minister has been pleased to re-constitute the following Selection Committee for selection of Chairman and Member (Oil), Oil and Gas Regulatory Authority (OGRA) under the Administrative Control of the Cabinet Division :-

- | | |
|-----------------------------------------------------------------|----------|
| i. Mirza Shahzad Akbar, SAPM on
Accountability and Interior. | Chairman |
| ii. Cabinet Secretary | Member |
| iii. Dr. Manzoor Ahmad | Member |
| iv. Mr. Najamul Kamal Hyder | Member |
| v. Mr. Muhammad Zubair | Member |

2. The ToRs of the Committee have been determined *vide* Establishment Division's O.M. No. F.1/29/2018-E-6, dated 28th March, 2019.

SYED HASSAN MAHMOOD,
Joint Secretary.

Islamabad, the 16th July, 2020

No. PF.(1137)-Admn-II.—In pursuance of Establishment Division's Notification No. F. 50/5/2019-E-I, dated 15th July, 2020, Mr. Abdul Ghufuran, a BS-21 officer of Pakistan Audit and Accounts Services, has relinquished the charge of the post of Additional Secretary (BS-21), Cabinet Division, with immediate effect.

SARDAR MEHMOOD,
Section Officer (Admn-II).

(Establishment Division)

Islamabad, the 8th June, 2020

No. 3-4/2020-E-2.—Ms. Mussarrat Ismail Butt, (BS-19/PMS), an officer of Government of Khyber Pakhtunkhwa, Establishment Department, presently at the disposal of Establishment Division, is transferred and posted as Deputy Secretary, Economic Affairs Division (EAD), on deputation basis for a period of three years on standard terms and conditions, with immediate effect and until further orders.

This Division's notification of even number, dated 21st April, 2020 is hereby withdrawn *ab-initio*.

Islamabad, the 10th June, 2020

No. PF(437)/E-5(PAS).—Mr. Muhammad Abid Javed, a BS-22 officer of Pakistan Administrative Service, presently posted as OSD, Establishment Division, is granted one month leave on full pay (*ex-Pakistan*), with effect from 1st July, 2020.

Government of Pakistan has no objection on his proceeding abroad subject to the condition that there will be no foreign exchange liability on the part of Government of Pakistan during his travel and stay abroad.

No. F. 11/16/2017-E-1.—Mr. Osman Jawed Lone, a BS-20 officer of Pakistan Audit and Accounts Service presently posted as Director General (Quality Assurance), Office of the Auditor General of Pakistan, Islamabad is transferred and his services are placed at the disposal of the Azad Government of the State of Jammu and Kashmir for appointment as Accountant General, Azad Government of the State of Jammu and Kashmir, under Kashmir Affairs and Gilgit-Baltistan Division, in terms, of clause I(viii) read with clause II(iii) of Karachi Agreement 1949, with effect from 14th April, 2020 and until further orders.

This Division's notification of even number, dated 14th April, 2020 is withdrawn *ab-initio*.

No. F. 1-44/2011-E-2.—Mr. Munir Sadiq (SG/BS-19), a BS-19 officer of the Secretariat Group, presently at the disposal of Establishment Division, is transferred and posted as Deputy Secretary, Interior Division, with immediate effect and until further orders.

No. 1/289/2017-E-4.—Ms. Misbah Nawaz, a BS-19 officer of Inland Revenue Service, is transferred and her services are placed at the disposal of Government of the Punjab for further posting in Punjab Revenue Authority (PRA), on deputation basis, for a period of three years, on standard terms and conditions, with immediate effect and until further orders.

No. PF(939)/E-5(PAS).—Mr. Adnan Zafar Khan, a BS-19 officer of Pakistan Administrative Service, currently on leave on half average pay (*ex-Pakistan*), is granted Extra Ordinary Leave (EOL) (without pay) (*ex-Pakistan*) for a period of five years, with effect from 1st July, 2020.

On completion of leave, the officer shall report to Establishment Division.

Government of Pakistan has no objection on his proceeding abroad subject to the condition that there will be no foreign exchange liability on the part of Government of Pakistan during his travel, study and stay abroad.

No. PF(1061)/E-5(PAS).—Ms. Saima Ali, a BS-18 officer of Pakistan Administrative Service, presently awaiting posting in Establishment Division, is transferred and her services are placed at the disposal of Government of the Punjab, with immediate effect and until further orders.

No. PF(1346)/E-5(PAS).—Ms. Atiyab Sultan, a BS-17 officer of Pakistan Administrative Service, presently posted under Government of the Punjab, is granted extension in 45 days leave on half average pay (*ex-Pakistan*), with effect from 30th May, 2020 to 13th July, 2020 and 45 days Extra Ordinary Leave (EOL) (without pay) (*ex-Pakistan*), with effect from 14th July, 2020 to 28th August, 2020.

Government of Pakistan has no objection on her proceeding abroad subject to the condition that there will be no foreign exchange liability on the part of Government of Pakistan during her travel, study and stay abroad.

Islamabad, the 12th June, 2020

No. F. 1/6/2020-E-5(PAS).—Mr. Shoukat Ali, a BS-21 officer of Pakistan Administrative Service, presently posted under Government of the Punjab, is promoted to BS-22, in that Service, as Secretary to the Government of Pakistan.

2. The services of Mr. Shoukat Ali, will remain at the disposal of Government of the Punjab and will be promoted with effect from 27th July, 2020, *i.e.* the date of superannuation of Mr. Muhammad Ilyas (PAS/BS-22), presently at the disposal of Government of the Punjab and until further orders.

3. By order of the President of Pakistan.

No. F. 1/6/2020-E-5(PAS).—Capt. (Retd.) Munir Azam, a BS-21 officer of Pakistan Administrative Service, presently posted as Additional Secretary, Power Division, is promoted to BS-22, in that Service, as Secretary to the Government of Pakistan, with immediate effect.

On promotion, Capt. (Retd.) Munir Azam is transferred and posted as Special Secretary, Power Division, with immediate effect and until further orders.

By order of the President of Pakistan.

No. F. 1/6/2020-E-5(PAS).—Mr. Muhammad Sualeh Ahmad Faruqi, a BS-21 officer of Pakistan Administrative Service, presently posted as Secretary, Trade Development Authority of Pakistan under Commerce Division, is promoted to BS-22, in that Service, as Secretary to the Government of Pakistan, with immediate effect.

On promotion, Mr. Muhammad Sualeh Ahmad Faruqi is transferred and posted as Special Secretary, Communications Division, with immediate effect and until further orders.

By order of the President of Pakistan.

No. F. 2(1)/2017-E-3 (Police).—Dr. Kaleem Imam, a BS-21 officer of Police Service of Pakistan, presently serving as Inspector General, National Highways and Motorway Police (NH&MP), under Ministry of Communications, in his own pay and scale, is promoted to BS-22, in that Service, with immediate effect.

On promotion, Dr. Kaleem Imam, will remain posted as Inspector General, National Highways and Motorway Police (NH&MP), under Ministry of Communications, until further orders.

By order of the President of Pakistan.

No. F. 2(1)/2017-E-3 (Police).—Mr. Sanallah Abbasi, a BS-21 officer of Police Service of Pakistan, presently serving as Provincial Police Officer (PPO), Government of Khyber Pakhtunkhwa, in his own pay and scale, is promoted to BS-22, in that Service, with immediate effect.

On promotion, Mr. Sanallah Abbasi, will remain posted as Provincial Police Officer (PPO), Government of Khyber Pakhtunkhwa, until further orders.

By order of the President of Pakistan.

No. F. 1/6/2020-E-5(PAS).—Dr. Akhtar Nazir, a BS-21 officer of Pakistan Administrative Service, presently posted as Secretary, Election Commission of Pakistan, is promoted to BS-22, in that Service, as Secretary to the Government of Pakistan, with immediate effect.

On promotion, Dr. Akhtar Nazir, will remain posted as Secretary, Election Commission of Pakistan, with immediate effect and until further orders.

By order of the President of Pakistan.

No. F. 1/6/2020-E-5(PAS).—Dr. Tanveer Ahmad Qureshi, a BS-21 officer of Pakistan Administrative Service, presently awaiting posting in Establishment Division, is promoted to BS-22, in that Service, as Secretary to the Government of Pakistan, with immediate effect.

On promotion, Dr. Tanveer Ahmad Qureshi, is transferred and posted as Special Secretary, Commerce Division, with immediate effect and until further orders.

By order of the President of Pakistan.

No. F. 1/6/2020-E-5(PAS).—Capt. (Retd.) Javed Akbar, a BS-21 officer of Pakistan Administrative Service, presently posted as Additional Secretary, Commerce Division, is promoted to BS-22, in that Service, as Secretary to the Government of Pakistan, with immediate effect.

On promotion, Capt. (Retd.) Javed Akbar, is transferred and posted as Special Secretary, Cabinet Division, with immediate effect and until further orders.

By order of the President of Pakistan.

No. F. 1/6/2020-E-5(PAS).—Mr. Mathar Niaz Rana, a BS-21 officer of Pakistan Administrative Service, presently posted as Chief Secretary, Azad Government of the State Jammu and Kashmir, under Kashmir Affairs and Gilgit-Baltistan Division, is promoted to BS-22, in that Service, as Secretary to the Government of Pakistan, with immediate effect.

On promotion, Mr. Mathar Niaz Rana, will remain posted as Chief Secretary, Azad Government of the State of Jammu and Kashmir, under Kashmir Affairs and Gilgit-Baltistan Division, by upgrading the post of Chief Secretary from BS-21 to BS22, as personal to him, with immediate effect and until further orders.

By order of the President of Pakistan.

No. F. 1/6/2020-E-5(PAS).—Mrs. Farah Hamid Khan, a BS-21 officer of Pakistan Administrative Service, presently posted as Director General, National Institute of Management, Peshawar under National School of Public Policy (NSPP), is promoted to BS-22, in that Service, as Secretary to the Government of Pakistan, with immediate effect.

On promotion, Mrs. Farah Hamid Khan, will remain posted as Director General, National Institute of Management (NIM), Peshawar under National School of Public Policy, by upgrading the post of Director General from BS-21 to BS-22, as personal to her, with immediate effect and until further orders.

By order of the President of Pakistan.

No. F. 1/6/2020-E-5(PAS).—Ms. Humaira Ahmed, a BS-21 officer of Pakistan Administrative Service, presently posted as Secretary, Federal Public Service Commission, under Section 10 of the Civil Servants Act, 1973, is

promoted to BS-22, in that Service, as Secretary to the Government of Pakistan, with immediate effect.

On promotion, Ms. Humaira Ahmed, will remain posted as Secretary, Federal Public Service Commission, with immediate effect and until further orders.

By order of the President of Pakistan.

No. F. 1/6/2020-E-5(PAS).—Dr. Tanveer Ahmad Qureshi, a BS-21 officer of Pakistan Administrative Service, presently awaiting posting in Establishment Division, is promoted to BS-22, in that Service, as Secretary to the Government of Pakistan, with immediate effect.

On promotion, Dr. Tanveer Ahmad Qureshi, is transferred and posted as Special Secretary, Communications Division, with immediate effect and until further orders.

Notification of even number, dated 12th June, 2020, in respect of the officer is hereby withdrawn *ab-initio*.

By order of the President of Pakistan.

No. F. 1/6/2020-E-5(PAS).—Mr. Muhammad Sualeh Ahmad Faruqi, a BS-21 officer of Pakistan Administrative Service, presently posted as Secretary, Trade Development Authority of Pakistan under Commerce Division, is promoted to BS-22, in that Service, as Secretary to the Government of Pakistan, with immediate effect.

On promotion, Mr. Muhammad Sualeh Ahmad Faruqi is transferred and posted as Special Secretary, Commerce Division, with immediate effect and until further orders.

Notification of even number, dated 12th June, 2020, in respect of the officer is hereby withdrawn *ab-initio*.

By order of the President of Pakistan.

No. F. 12(14)/92-E-3 (Police).—Mr. Tariq Nawaz Malik, a BS-21 officer of Police Service of Pakistan, is posted as Officer on Special Duty (OSD) in Establishment Division, with effect from 1st June, 2020 till his joining the duties at INTERPOL Headquarters, Lyon, France pursuant to this Division's notification dated 7th May, 2020.

No. F. 1/6/2020-E-5(PAS).—Capt. (Retd.) Sikandar Qayyum, a BS-21 officer of Pakistan Administrative Service, presently posted as Chairman, National Highway Authority, under Communications Division, under Section 10 of the Civil Servants Act, 1973, is promoted to BS-22, in that Service, as Secretary to the Government of Pakistan, with immediate effect.

On promotion, Capt. (Retd.) Sikandar Qayyum, will remain posted as Chairman, National Highway Authority, under Communications Division, with immediate effect and until further orders.

By order of the President of Pakistan.

No. F. 12(25)/98-E-3 (Police).—Mr. Shakeel Ahmad Durrani, a BS-20 officer of Police Service of Pakistan, presently serving in Intelligence Bureau (IB), is transferred and his services are placed at the disposal of Interior Division for further posting in Federal Investigation Agency (FIA), with immediate effect and until further orders.

MARIAM KAYANI,
Deputy Secretary.

Islamabad, the 10th June, 2020

No. PF.1230/2014-E-VII.—Mr. Muhammad Hassan (OMG/BS-18), presently posted as Section Officer, Industries and Production Division is transferred and posted as Section Officer, Finance Division, with immediate effect and until further orders.

No. PF.1086/2011-E-VII.—The joining time of Mr. Muhammad Naveed Asghar (OMG/BS-18/Acting Charge), OSD, Establishment Division, presently on Scholarship abroad, is extended, with effect from 1st May, 2020 to 30th June, 2020, with the condition that no further extension shall be granted to the officer.

No. PF.1195/2013-E-VII.—The leave period of Ms. Amna Shuja (OMG/BS-18), OSD, Establishment Division is extended, with effect from 12th June, 2020 for 50 days "leave not due" on half average pay, with direction to ensure joining back the cadre after availing extended leave.

SHAMS-UD-DIN,
Section Officer.

Islamabad, the 15th June, 2020

No. 1/26/2020-E-6.—The Federal Government is pleased to appoint Mr. Masood Nabi, as Managing Director/ Chief Executive Officer, Government Holding (Pvt.) Limited (GHPL) for a period of three (03) years under Ministry of Energy (Petroleum Division), with immediate effect.

MUHAMAMD SOHAIB,
Section Officer.

Islamabad, the 9th June, 2020

No. 1/350/2019-E-4.—Dr. Bazgha Tamkeen Malik, Women Medical Officer (BS-17), Rajanpur, Population Welfare Department is transferred and her services are placed at the disposal of Ministry of Planning, Development and Reform for posting in Health Section, Ministry of Planning, Development and Reform, in her own pay and scale (OPS), on deputation basis for a period of three years or till the joining of regular incumbent of the post whichever is earlier, with immediate effect and until further orders.

FALAK SHER,
Section Officer.

Islamabad, the 9th June, 2020

No. PF(751)/E-5(PAS).—The Federal Government has been pleased to appoint / nominate Mr. Shakeel Ahmed Mangnejo, a BS-21 officer of Pakistan Administrative Service, presently posted as Director General (Ports and Shipping), Karachi under Maritime Affairs Division, as a member on the Board of Directors and Chairman, Pakistan National Shipping Corporation, for the unexpired term till 3rd December, 2020 in terms of Section 14 (a) read with 18(3) of Pakistan National Shipping Corporation Ordinance, 1979.

2. Mr. Rizwan Ahmed will cease to be the Director of Board of Directors of Pakistan National Shipping Corporation and Chairman Pakistan National Shipping Corporation on the date Mr. Shakeel Ahmed Mangnejo (PAS/BS-21) takes charge as Director and Chairman, Pakistan National Shipping Corporation and the intervening period from 22nd August, 2019 till the relinquishment of charge or till the appointment of regular incumbent, whichever is earlier, is regularized.

3. Mr. Shakeel Ahmed Mangnejo, is also assigned additional charge of the post of Director General (Ports and Shipping), Karachi under Maritime Affairs Division, for a period of three months or till the posting of a regular incumbent, whichever is earlier.

4. Terms and conditions will be settled in consultation with the Finance Division.

ASMA SANAULLAH,
Section Officer.

[MANAGEMENT SERVICES WING]

Islamabad, the 8th June, 2020

No. PF-86/O&M(A).—Mr. Muhammad Saleem, Assistant Private Secretary (BS-16), Management Services Wing, Establishment Division, Islamabad, presently on deputation to Staff Welfare Organization, Regional Office, Karachi, has been allowed to proceed on Leave Preparatory to Retirement (LPR), with effect from 22nd June, 2020.

Islamabad, the 9th June, 2020

No. 13/5/2012-Admn.—Mr. Muhammad Imran, Deputy Director (BS-18), Management Services Wing, Establishment Division, Islamabad is granted extension in leave with full pay (LFP) for 48 days, with effect from 11th April, 2020 to 28th May, 2020.

After expiry of leave, he has resumed his duty on the same post and station.

No. 13/2/2016-Admn.—Mr. Zahid Hussain Farooqui, Research & Audio Visual Officer (R&AVO, BS-17), Management Services Wing, Establishment Division, Islamabad is granted 10 days extension in leave with full pay (LFP) from 23rd May, 2020 to 1st June, 2020.

After expiry of leave, the officer has resumed his duties, with effect from 2nd June, 2020, on the same post and station.

MUHAMMAD RASHID,
Deputy Secretary (MSW).

[BENAZIR INCOME SUPPORT PROGRAMME]

Islamabad, the 8th June, 2020

No. F. 1(705)/BISP/HR/B/2015.—Mr. Sohail Anwar, Lecturer (BS-18), Balochistan University of Information Technology, Engineering and Management Sciences (BUIEMS), Quetta, presently posted as Deputy Director (Operations) (SPS-18) in Regional Office, BISP Balochistan shall stand repatriated to his parent department, upon completion of his deputation period (5th years), with effect from 22nd June, 2020.

This issues with the approval of the Secretary BISP.

No. 1(1332)/BISP/HR/BAL/2019.—This office notification of even number, dated 30th January, 2020, regarding grant of twenty five (25) days' ex-Pakistan leave on full pay, with effect from 25th February, 2020 to 20th March, 2020, alongwith NOC to proceed Saudi Arabia for performance of Umrah in respect of Mr. Muhammad Alam Abro, Assistant Director (SPS-17), Tehsil Office Usta Muhammad, BISP Balochistan Region and grant of lookafter charge to Mr. Saeed Khan Bugti, Assistant Director (SPS-17), BISP Tehsil Office, Dera Allah Yar, Balochistan is hereby cancelled / withdrawn.

This issues with the approval of the Secretary BISP/competent authority.

Islamabad, the 9th June, 2020

No. 1(604)/BISP/HR/KP/2015.—Mr. Shaheen Shah, Assistant Director (SPS-17), BISP Tehsil Office Battagram KP is granted additional charge of the vacant post of Assistant Director (SPS-17), BISP Tehsil Office Alai, in addition to his own duties, for a period of three (3) months, with effect from 2nd May, 2020 to 31st July, 2020 or till appointment / posting of a regular incumbent of the post, whichever is earlier.

This issues with the approval of the Director General (Admin. & HR), BISP.

MUHAMMAD AHMAD USMANI,
Director HR (Regions).

WAFaqI MOHTASIB (OMBUDSMAN)'S SECRETARIAT

Islamabad, the 8th June, 2020

No. F.1(1001)A-II/2018.—In pursuance of this Secretariat's Notification No. F.3(204)A-II/2019, dated 11th May, 2020, Mr. Muhammad Tahir Khan has assumed the

charge of the post of Private Secretary (BS-18), Regional Office, Karachi on 11th May, 2020.

This issues with the approval of competent authority.

No. F.1(1046)A-II/2020.—In pursuance of this Secretariat's Notification No. F.8(289)A-I/2004, dated 30th April, 2020, Mr. Mudassar Zahid has assumed the charge of the post of Private Secretary (BS-17), Regional Office, Lahore on 20th April, 2020.

This issues with the approval of competent authority.

MOINUDDIN A. SIDDIQI,
Director (Admn.).

FEDERAL TAX OMBUDSMAN SECRETARIAT

Islamabad, the 21st April, 2020

No. F. 1(303)/2010-A-I.—With the approval of Hon'ble Federal Tax Ombudsman, Mr. Muhammad Farhan Khan, Deputy Director (BS-18), is hereby appointed as Director (BS-19), in the Federal Tax Ombudsman Secretariat on current charge basis for a period of three months, with effect from 17th March, 2020 and until further orders.

He is entitled to draw 20% of special pay in terms of Finance Division's O.M. No. F.2(9)-R.3/85, dated 15th March, 1987.

SAJJAD AHMED,
Assistant Director (Estab).

MINISTRY OF COMMERCE AND TEXTILE

Islamabad, the 10th June, 2020

No. 7(3)/2007-Admn-I/MoC.—Consequent upon his request and with the approval of competent authority, *i.e.* Secretary Commerce, Mr. Muhammad Shoaib Zafar, a BS-19 officer of Commerce & Trade Group, currently posted as Deputy Chief, Ministry of Commerce, Islamabad is granted ninety (90) days Extra Ordinary Leave (EOL), without pay, with effect from 15th June, 2020 to 12th September, 2020.

On the expiry of above leave, the officer will join his duty in Ministry of Commerce, Islamabad.

MUHAMMAD IMTIAZ,
Deputy Director (MoC).

Islamabad, the 9th June, 2020

No. 1(10)/2019-DD/CTG.—Syed Sultan Ahmed, a BS-17 officer of Commerce & Trade Group, presently working as Assistant Director, Trade Development Authority of Pakistan (TDAP) Karachi, is granted Leave Encashment *i.e.* 365 days in lieu of one year LPR with effect from 7th January, 2020 to 6th January, 2021.

The officer shall stand retired from Government service on attaining the age of superannuation on 6th January, 2021.

This issues with the approval of Secretary Commerce.

No. 5(1)/2018-DD/CTG.—The following twenty three (23) Probationary Officers of Commerce & Trade Group are posted as Assistant Directors (BS-17) in Pakistan Institute of Trade and Development (PITAD), Islamabad for 27th Specialized Training Programme (STP) against 23 supernumerary posts as sanctioned by Finance Division, with effect from 21st April, 2020 to 31st January, 2021 (till completion of STP).

S. No.	Name of the Officers
1.	Ms. Urva Hassan Zuberi
2.	Mr. Adil Mukhtar
3.	Mr. Aitizaz Khan
4.	Mr. Muhammad Umar Riaz
5.	Mr. Nazir Ali
6.	Ms. Bakhtawar Hizbullah Sario
7.	Hafiz Kamran Ahmed
8.	Mr. Jinsar Ali Bhatti
9.	Ms. Umayyah Idrees
10.	Mr. Zarar Khan
11.	Mr. Abdullah Ghouri
12.	Mr. Omer Hassan Bajwa
13.	Ms. Tayyaba Iftikhar Butt
14.	Mr. Ali Umer Tipu
15.	Ms. Kashmala Javaid
16.	Ms. Khusbakht Asif
17.	Mr. Zubair Ahmed
18.	Mr. Ali Mardan
19.	Mr. Ali Raza
20.	Ms. Bukhtawar Akhter
21.	Mr. Saifullah
22.	Mr. Zain Ul Abidin
23.	Ms. Rubina Siddique

DR. M. BAQIR JAHANZEB,
Deputy Director (CTG).

[TEXTILE WING]

Islamabad, the 10th June, 2020

No. F. 10(8)TID-05-Estab.—Mr. Muhammad Farooq Khan, Director (BS-19), Textile Commissioner's Organization, Karachi is allowed to hold current charge of the post of Textile Commissioner (BS-20) TCO, Karachi, with immediate effect for a period of three months or till the availability of a regular incumbent of the post, whichever is earlier.

This issues with approval of Secretary, Ministry of Commerce.

MUHAMMAD AWAIS HASHMI,
Section Officer (Establishment).

DEPARTMENT OF THE AUDITOR-GENERAL OF PAKISTAN

Islamabad, the 9th June, 2020

No. 27-Dir(A)/2-4/20.—The Auditor-General of Pakistan has been pleased to order postings / transfers of following officers of the Pakistan Audit & Accounts Service, with immediate effect and until further orders :-

S. No.	Name of Officers M/S	From	To	Remarks
1.	Samia Younas Mustansar, BS-19/PA&AS.	Director Audit, Distt. Government Punjab, Gujranwala.	Additional Accountant General Punjab, Lahore.	Against a vacant post
2.	Ammara Farooq, BS-18/PA&AS	Deputy Director Audit, Distt. Government Punjab, Gujranwala.	---	Assigned look after charge of the post of Director Audit, Distt. Government Punjab, Gujranwala, in addition to her own duties, with immediate effect and until further orders.

2. This issues in consultation with office of the Controller General of Accounts, with respect to officer mentioned at Sl. No. 1.

No. 26-Dir(A)/1-2/P-20&21/CSB/2019.—Consequent upon the recommendations of the Central Selection Board held on 27th to 29th January, 2020, the Prime Minister of Pakistan has been pleased to appoint Ms. Shazana Durrani, a BS-19 officer of Pakistan Audit & Accounts Service, to the post of Director General / Equivalent (BS-20) on acting charge basis (ACB), with effect from 20th March, 2020 as conveyed *vide* Establishment Division O.M. No. 3/1/2019-CP-6, dated 3rd June, 2020 read with O.M. No. 1/1/2019-CSB-CP-X, dated 7th May, 2020.

On appointment on acting charge basis, Ms. Shazana Durrani, presently posted as Chief Finance & Accounts Officer, Establishment Division, Islamabad (OPS), has been posted as Chief Finance & Accounts Officer, Establishment Division, Islamabad (ACB), until further orders.

ZULFIQAR KHAN,
Director (Admn.).

Islamabad, the 31st December, 2019

No. 923/PAAS-II/31-2017.—Mr. Muhammad Ashraf Alam, a BS-18 officer of Pakistan Audit and Accounts Service posted as Assistant Military Accountant General (ME&A) in the office of the Military Accountant General, Rawalpindi shall stand retired from Government Service upon attaining the age of superannuation on 2nd October, 2020. His date of birth is 2nd October, 1960.

Islamabad, the 2nd January, 2020

No. 5378/PAAS-I/51-88-II(527).—Consequent upon attaining the age of superannuation, Mr. Muhammad Asif Khan, a BS-22 officer of Pakistan Audit and Accounts Service, presently posted as Managing Director, Printing Corporation of Pakistan, Islamabad shall stand retired from Government Service on 28th May, 2020 (His date of birth being 28th May, 1960).

No. 5379/PAAS-I/25-90/Vol-II(583).—Consequent upon attaining the age of superannuation, Mian Shujaiddin Zaka, a BS-21 officer of Pakistan Audit and Accounts Service, presently posted as Accountant General Punjab, Lahore shall stand retired from Government Service on 2nd May, 2020 (His date of birth being 2nd May, 1960).

No. 5380/PAAS-I/24-90/-II(479).—Consequent upon attaining the age of superannuation, Mr. Zamir Ahmad, a BS-21 officer of Pakistan Audit and Accounts Service, presently posted as Director General, Election Commission of Pakistan, Islamabad shall stand retired from Government Service on 14th June, 2020 (His date of birth being 14th June, 1960).

No. 5381/PAAS-I/97-92-II(544).—Consequent upon attaining the age of superannuation, Mr. Muhammad Ayaz, a BS-20 officer of Pakistan Audit and Accounts Service, presently posted as Accountant General, Azad Jammu & Kashmir, Muzaffarabad shall stand retired from Government Service on 15th June, 2020 (His date of birth being 15th June, 1960).

NAURAH KHURSHID,
Assistant Auditor General (PAAS).

Islamabad, the 9th June, 2020

No. 322/PAAS-I/13-2014.—In continuation of this office Notification No. 212/PAAS-I/13-2014, dated 13th April, 2020 and further posting / transfer *vide* Office of the Auditor General of Pakistan, Islamabad's Notification No. 21/Dir(A-II)/2-(5/6)/2020, dated 21st May, 2020; Sheikh Afzaal Raza, a BS-18 officer of Pakistan Audit & Accounts Service, has assumed the charge of the post of Deputy Director, Office of the Director General Audit (Climate Change & Environment), Islamabad on 1st June, 2020.

The awaiting for posting period , with effect from 19th March, 2020 to 31st May, 2020 may be treated as duty.

Islamabad, the 10th June, 2020

No. 7547/PAAS-I/19-98-I(510).—Consequent upon attaining the age of superannuation, Mr. Muhammad Saddiq Tariq, a BS-21 officer of Pakistan Audit and Accounts Service, presently posted as Deputy Auditor General (CA&E), in office of the Auditor General of Pakistan, Islamabad shall stand retired from Government Service on 9th November, 2020 (His date of birth being 9th November, 1960).

No. 7546/PAAS-I/31-94-II(552).—Consequent upon attaining the age of superannuation, Mr. Muhammad Faheem, a BS-21 officer of Pakistan Audit and Accounts Service, presently posted as Accountant General, Khyber Pakhtunkhwa, Peshawar, shall stand retired from Government Service on 4th September, 2020 (His date of birth being 4th September, 1960).

No. 7545/PAAS-I/10-94-II(523).—Consequent upon attaining the age of superannuation, Mr. Shahzad Raza Syed, a BS-21 officer of Pakistan Audit and Accounts Service, presently posted as Deputy Auditor General in office of the Auditor General of Pakistan, shall stand retired from Government Service on 3rd October, 2020 (His date of birth being 3rd October, 1960).

No. 7544/PAAS-I/14-2002/Vol-I(609)).—Consequent upon attaining the age of superannuation, Mr. Nusrat Khan, a BS-20 officer of Pakistan Audit and Accounts Service, presently posted as Accountant General, Gilgit Baltistan, Gilgit, in office of the Auditor General of Pakistan, shall stand retired from Government Service on 20th November, 2020 (his date of birth being 20th November, 1960).

NADIA USMAN,
Assistant Auditor General (PAAS).

Islamabad, the 8th June, 2020

No. 331/Estt-C/46-2011-II.—The Auditor General of Pakistan has been pleased to refer the case to the concerned committee already constituted by the competent authority in connection with regularization case of Mr. Naayar Kazim, Ex-PIFRA contract employee to ascertain the eligibility against the post of Data Processing Officer (BPS-17), in the light of Recruitment Rules framed by the Controller General's Office for the said post and submission of its report within one week after holding of its meeting for onward submission of the competent authority for approval.

This issues with the approval of the competent authority.

Islamabad, the 10th June, 2020

No. 333/Estt-C/29-2008-I.—In continuation of this office earlier Notifications No. 303/Estt-C/29-2008-I, dated 20th May, 2020 and No. 326/Estt-C/29-2008-I, dated 4th June, 2020, the competent authority has been pleased to direct that the HoDs of all Field Audit Offices (FAOs) to ensure the completion of PERs/ACRs of those officers / officials of departmental cadre, who have completed their 20 years qualifying service immediately and submit a certificate for the completion.

Moreover, the cases of the officers / officials of departmental cadre, which fall in the ambit of "Directory Retirement" may be referred to this office at the earliest.

This issues with the approval of the competent authority.

SYED WASEEM ABBAS,
Audit Officer (Establishment).

[OFFICE OF THE CONTROLLER GENERAL OF ACCOUNTS]

retired from Government service, with effect from 1st July, 2020 (his date of birth 1st July, 1960).

Islamabad, the 8th June, 2020

No. 350/Admn-I/CGA/03-14/2002.—Consequent upon his posting as Drawing and Disbursing Officer of office of the Controller of Accounts, Islamabad *vide* this Office Order No. 340/CGA/Admn-I/12-1/2003/Vol-I(Pt), dated 5th June, 2020, Mr. Abdul Rashid, Accounts Officer (BS-18) has assumed the charge/duties of DDO in this office on 8th June, 2020.

No. 358/CGA/Admn/29-1/2020(70).—In pursuance of Section-13 of Civil Servants Act, 1973, Mr. Gohar Ali, Accounts Officer (BS-18) of office of the Accountant General Khyber Pakhtunkhwa, Peshawar, on attaining the age of superannuation shall stand retired from Government service, with effect from 21st June, 2020 (his date of birth 21st June, 1960).

Islamabad, the 9th June, 2020

No. 352/CGA/Admn/27-1/2020(92).—In pursuance of Section-13 of Civil Servants Act, 1973, Mr. Khalid Mahmood-ul-Hassan, Accounts Officer (BS-18 of DAO Khushab), of office of the Accountant General Punjab, Lahore on attaining the age of superannuation shall stand

No. 364/CGA/Admn/23-1/2020(16).—In pursuance of Section-13 of Civil Servants Act, 1973, Mr. Muhammad Sharif Kamboh, Accounts Officer (BS-18) of office of the Accountant General Pakistan Revenue (S.O) Karachi on attaining the age of superannuation shall stand retired from Government service, with effect from 2nd April, 2021 (his date of birth 2nd April, 1961).

Islamabad, the 10th June, 2020

No. 397/CGA/PAAS/1-12/2017.—Subsequent to the Auditor General of Pakistan Notification No. 27-Dir(A)/2-4/20, dated 9th June, 2020, the Controller General of Accounts has been pleased to endorse the postings / transfers of following PA&AS officers, with effect from the same date.

S. No.	Name (M/s)	From	To
1.	Samia Younas Mustansar	Director Audit, Distt. Government Punjab, Gujranwala.	Additional Accountant General Punjab, Lahore.
2.	Rukhsana Rafique	Additional Accountant General Punjab, Lahore.	Director General Audit, District Government Punjab (N), Lahore (OPS).

JIBRAN KHAN DURRANI,
Assistant Controller General (Admn.).

Islamabad, the 9th June, 2020

ELECTION COMMISSION OF PAKISTAN

Islamabad, the 12th June, 2020

No. 322/10-21/CGA/Discipline/2019.—Mr. Abid Munir Khan, Assistant Accounts Officer, Office of the Accountant General, KP Peshawar, was charged with "Inefficiency & Misconduct" under Government Servants (E&D) Rules-1973. The inquiry was conducted for purpose and the officer was served with Show Cause Notice. On receipt of his reply there to and as result of personal hearing afforded to him, the case has been considered by Dy. CGA being the Authorized Officer, in the light of facts/findings of the Inquiry Report and has decided to impose minor penalty of "Censure" in the light of Rule-4 (a)(i) of Government Servants (E&D) Rules, 1973.

No. F.15(14)/2007-Estt-I.—Mr. Raham Karim, a BS-19 officer of Election Commission of Pakistan, presently posted as Regional Election Commissioner, Bannu, is placed under suspension on account of misconduct with immediate effect initially for a period of 03 months, to be extended further, if required. Further disciplinary proceedings are being initiated against him under the Government Servants (Efficiency and Discipline) Rules, 1973.

He is directed to report to the Election Commission Secretariat, Islamabad, with immediate effect and until further orders.

This issues with the approval of the Hon'ble Chief Election Commissioner of Pakistan.

ROIDAR ALI,
Accounts Officer (Discipline).

SHAHID IQBAL,
Addl. Director General (Admn.).

Islamabad, the 12th June, 2020

No. F.15(14)/2007-Estt-I.—Mr. Faqir Muhammad, a BS-18 officer of Election Commission of Pakistan, presently posted as District Election Commissioner, Lakki Marwat is transferred and posted as District Election Commissioner, Washuk, with immediate effect until further orders on administrative grounds and in the public interest.

No. F.3(2)/2020-Estt-I.—Mr. Zia-Ur-Rehman Bungush, Assistant Director (BS-17) in ECP Secretariat, Islamabad, recently promoted to BS-18 is hereby posted as Staff Officer (BS-18) to the Hon'ble Chief Election Commissioner, with effect from 11th June, 2020 and until further orders.

This issues with approval of the Hon'ble Chief Election Commissioner of Pakistan.

No. F.3(4)/2020-Estt-I.—In continuation of this Commission's Notification No. F.3(4)/2020-Estt-I(3), dated 13th May, 2020, the additional charge of the vacant post of Deputy Director (Admn.) in ECP Secretariat, Islamabad assigned to Syed Abid Hussain Shah, Deputy Director (GS) is extended for a further period of one month from 21st May to 20th June, 2020 or till the regular appointment of incumbent against the said post, whichever is earlier.

This issues with the approval of the Hon'ble Chief Election Commissioner of Pakistan.

WASEEM AHMED,
Deputy Director (Estt-I).

MINISTRY OF ENERGY

(Petroleum Division)

[POLICY WING]

Islamabad, the 12th June, 2020

No. PW-3(152)/2019-Admn.—Dr. Shafi-ur-Rehman, currently posted as Director General (SP)/BS-20, Policy Wing, Petroleum Division, Ministry of Energy is assigned additional charge of the post of Director General (Oil)/BS-20, with effect from 4th May, 2020, in addition to his own duties for a period of ninety (90) days or till the posting of a regular incumbent, whichever is earlier.

The period from 27th April, 2020 to 3rd May, 2020 shall be treated as look-after charge to the officer.

This issues with the approval of Secretary, Petroleum Division, Ministry of Energy.

No. 2(5)/91-Oil-Deptt.-Vol-VI.—On recommendations of DSB and approval of the competent authority *i.e.* Secretary, Petroleum Division, Ministry of Energy, Dr. Nawaz Ahmad,

Deputy Director (Technical)/BS-18 is promoted to the post of Director (Technical)/BS-19 on regular basis, with effect from 10th June, 2020.

The officer is posted and will actualize his promotion to BS-19 on assuming charge of Director (LGs)/BS-19, Directorate General (LGs), Policy Wing, Petroleum Division, Ministry of Energy.

The Petroleum Division, Ministry of Energy congratulates the officer on his promotion.

No. 2(5)/91-Oil-Deptt.-Vol-VI.—On recommendations of DSB and approval of the competent authority *i.e.* Secretary, Petroleum Division, Ministry of Energy, Dr. Hafiz Mubasher Anwer Khan, Deputy Director (Technical)/BS-18 is promoted to the post of Director (Technical)/BS-19 on regular basis, with effect from 10th June, 2020.

The officer is posted and will actualize his promotion to BS-19 on assuming charge of Director (Refinery)/BS-19, Directorate General (Oil), Policy Wing, Petroleum Division, Ministry of Energy.

The Petroleum Division, Ministry of Energy congratulates the officer on his promotion.

KHALID MANSOOR,
Deputy Director (Admn.).

(Power Division)

Islamabad, the 10th June, 2020

No. F. 4(391)/2020-Admn.—Consequent upon Cabinet's decision *vide* Case No. 371/20/2020, taken its meeting held on 2nd June, 2020, the Additional charge of the post of CEO, CPPA-G is assigned to Mr Waseem Mukhtar, Additional Secretary-II, Power Division, Ministry of Energy, with immediate effect and till appointment of the regular CEO.

MUHAMMAD ASAD SALEEM,
Section Officer (Discos).

MINISTRY OF FEDERAL EDUCATION AND
PROFESSIONAL TRAINING

Islamabad, the 9th June, 2020

No. F. 1-53/2020-IC-II.—In pursuance of Allama Iqbal Open University, (AIOU) Act, 1974, Chapter-V Clause-18, Sub-clause-(vi), the President Islamic Republic of Pakistan being the Chancellor, AIOU has been pleased to appoint Dr. Shahid Iqbal Kamran, Professor of department of Iqbal Studies AIOU, as Dean Social Sciences and Humanities, with effect from 2nd May, 2020 till the date of superannuation *i.e.* 60 years (10th January, 2021).

No. F.1-53/2020-IC-II.—In pursuance of Allama Iqbal Open University, (AIOU) Act 1974, Chapter-V Clause-18, Sub-Clause-(vi), the President Islamic Republic of Pakistan being the Chancellor, AIOU has been pleased to appoint Dr. Abdul Hameed Khan, Professor of Quran and Tafseer AIOU, as Dean Arabic and Islamic Studies with effect from 13th May, 2020 till the date of superannuation *i.e.* 60 years (7th May, 2021).

Islamabad, the 10th June, 2020

No. F.1-121/2017-IC-II.—In pursuance of Section 2(2) of the Quaid-i-Azam University (Amendment) Ordinance 1981, the President Islamic Republic of Pakistan being the Chancellor, QAU has been pleased to appoint Prof. Dr. Muhammad Siddiq, Department of Chemistry, as Dean, Faculty of Natural Sciences, with immediate effect for a period of three years or till the date of his retirement whichever is earlier.

MUHAMMAD MUSLIM SHAIKH,
Section Officer (IC-II).

MINISTRY OF FINANCE, REVENUE AND
ECONOMIC AFFAIRS

(Finance Division)

[HRM WING]

Islamabad, the 15th June, 2020

No. F.8(41)/HR-IV/2008.—In pursuance of office of the Military Accountant General, Rawalpindi Letter No.129/AN/902-242(43030) dated 6th May, 2020, the deputation period in respect of Mr. Muhammad Javed Rana, Assistant Accounts Officer (BS-17) in Finance Division, Islamabad is hereby extended for a period of two years with effect from 6th December, 2019.

MUHAMMAD HAYAT,
Section Officer (HR-IV).

[MILITARY FINANCE WING]

Rawalpindi, the 10th June, 2020

No. F.5-1/HRM-I/1157.—In terms of Finance Division's O.M. dated 18th March, 1987, Raja Ijaz Mahdi, Deputy Financial Adviser (Defence Production) of this Wing has been allowed to hold additional charge against the vacant post of Deputy Financial Adviser (Regulations-I) in addition to his own duties for a period of three months with effect from 28th May, 2020 or till the posting of a regular incumbent whichever is earlier.

MUHAMMAD ALI DURRANI,
Assistant Financial Adviser (HRM-I).

(Economic Affairs Division)

Islamabad, the 15th June, 2020

No. 1(1280)/EA/A-I/2013.—Mr. Abdul Wakeel, Superintendent (BS-17), is assigned with effect from 7th June, 2020, Current Charge of the higher post of Section Officer (IsDB-I) (BS-17/18), Economic Affairs Division for a period of three months (90 days) or till the availability of regular incumbent of the post whichever is earlier. As per rules, he will be entitled to draw "special pay" equal to 20% of basic pay subject to a maximum of Rs.12,000/- p.m whichever is less.

This issues with the approval of Secretary, Economic Affairs Division.

No. F.5(6)/EA/Admin-II/89.—Consequent upon recommendation of the Departmental Promotion Committee (DPC) and with the approval of the competent authority *i.e.* Secretary, EAD, Ch. Khalid Mahmood, currently working as Superintendent (BPS-16) against leave vacancy is promoted to the post of Superintendent (BPS-16) against deputation vacancy in Economic Affairs Division with effect from 29th May, 2020 *i.e.* date of meeting of Departmental Promotion Committee (DPC).

However, the official is liable to be reverted immediately to his original post *i.e.* Assistant (BPS-15/16) on repatriation of the deputationist.

No. F.5(6)/EA/Admin-II/89.—Consequent upon recommendation of the Departmental Promotion Committee (DPC) and with the approval of the competent authority *i.e.* Secretary, EAD, Ms. Sofia Faraz, Superintendent (BPS-16) is promoted against clear vacant post of Superintendent (BPS-16) on regular basis in Economic Affairs Division with effect 29th May, 2020 *i.e.* date of meeting of Departmental Promotion Committee (DPC).

The above named official will be on probation for a period of one year as provided under Rule 21 of Civil Servants (Appointment, Promotion & Transfer) Rules, 1973.

No. 1(21)/EA/AI/2020.—In pursuance of this Division's Notification No.5(6)/EA/Admin-II/89 dated 11th June, 2020, Mr. Sibte-Hassan, Assistant (BS-16), assumed charge of the post of Superintendent (BS-16), against leave vacancy in Economic Affairs Division with effect from 29th May, 2020 *i.e.* date of meeting of Departmental Promotion Committee (DPC).

SAJID HUSSAIN ABBASI,
Section Officer (Admin-I).

Islamabad, the 11th June, 2020

No. 1(19)/EA/AI/2020.—In pursuance of Establishment Division's Notification No.11/16/2017-E-1 dated 21st May, 2020, Kh. Owais Adil (BS-20/PA&AS), has assumed the

charge of the post of Chief Finance & Accounts Officer, Economic Affairs Division on 8th June, 2020.

No. F.1(1)/EA/AI/2018.—Ms. Maria Asif Dar, Section Officer (BS-18/Acting Charge) (Personnel No.50222149), Economic Affairs Division is granted sixty (60) days leave on full pay with effect from 1st June to 30th July, 2020, under the Revised Leave Rules, 1980.

On the expiry of leave, the officer is expected to resume charge of the same post in this Division, at Islamabad.

No. F.5(6)/EA/Admin-II/89.—Consequent upon recommendation of the Departmental Promotion Committee (DPC) and with the approval of the competent authority *i.e.* Secretary, EAD, Mr. Sibte-e-Hassan, Assistant (BPS-16) is promoted to the post of Superintendent (BPS-16) against leave vacancy in Economic Affairs Division with effect from 29th May, 2020 *i.e.* date of meeting of Departmental Promotion Committee (DPC).

2. However, the official is liable to be reverted immediately to his original post *i.e.* Assistant (BPS-15/16) on joining by Mr. Abdul Raziq, Superintendent (BPS-16) after expiry of leave or otherwise.

Islamabad, the 15th June, 2020

No. 1(21)/EA/AI/2020.—In pursuance of this Division's Notification No.5(6)/EA/Admin-II/89 dated 11th June, 2020, Mr. Sibte-e-Hassan, Assistant (BS-16), assumed charge of the post of Superintendent (BS-16), against leave vacancy in Economic Affairs Division with effect from 29th May, 2020 *i.e.* date of meeting of Departmental Promotion Committee (DPC).

KHALID MAHMOOD,
Section Officer (Admin-I).

MINISTRY OF HUMAN RIGHTS

Islamabad, the 9th June, 2020

No. 2(7)/2012-DD(Dev).—In exercise of the powers conferred under Sub-Section (1) of Section 5 of the National Commission on the Status of Women Act, 2012 (Act No.VIII of 2012), the Federal Government is pleased to approve the appointment of the following as Members of the National Commission on the Status of Women:-

Punjab

- Ms. Shaista Bukhari
- Ms. Ruhi Syed

Sindh

- Ms. Habiba Hasan
- Ms. Haya Emaan Zahid

Khyber Pakhtunkhwa

- Ms. Rubina Naz, Advocate
- Dr. Kanwal Afridi

Balochistan

- Ms. Fatima Iqbal
- Ms. Rehana Bibi Khilji

Azad Jammu and Kashmir

- Ms. Shahibzadi Madiya Sultana

Gilgit Baltistan

- Ms. Sosan Aziz

Islamabad Capital Authority

- Ms. Asiya Azeem

Minorities

- Prof Dr. Sarah Safdar

Ex-Officio Members

1. Director General (Development)
Ministry of Human Rights, Islamabad
2. Senior Joint Secretary (Expenditure)
Ministry of Finance, Islamabad
3. Director General, (UN)
Ministry of Foreign Affairs, Islamabad
4. Legislative Advisor (MP-II)
Ministry of Law & Justice, Islamabad
5. Joint Secretary (Law)
Ministry of Interior, Islamabad

MUHAMMAD KHALIL AWAN,
Deputy Secretary (Admn).

MINISTRY OF INDUSTRIES AND PRODUCTION

Islamabad, the 10th June, 2020

No. 1(73)/2020-Admn-I.—Ms. Samreen Khan, Section Officer, Ministry of Industries and Production is granted 20 days quarantine leave on full pay with effect from 28th May, 2020.

After expiry of leave the officer is expected to resume her duty at the same post and station.

This contains approval of the Secretary, I&P.

Islamabad, the 12th June, 2020

No. 1(46)/2019-Admn-I.—Qazi Zaheer Ahmed, Sr. Joint Secretary (IF), Ministry of Industries and Production is hereby assigned additional charge of the post of Joint Secretary (A&F) with immediate effect for a period of 03 months or till the availability of regular incumbent, whichever is earlier.

2. The Officer will be entitled to draw special remuneration @ 10% of his basic pay subject to maximum up to Rs.12,000/- per month whichever is less.

3. The Additional charge assigned to Mr. Nadeem Ahsan, Joint Secretary (LED) for the post of JS (A&F) is hereby discontinued with same effect.

4. This contains approval of the Secretary, I&P.

OMER MANZOOR SHEIKH,
Section Officer (Admn-I).

MINISTRY OF INFORMATION TECHNOLOGY AND
TELECOMMUNICATION

Islamabad, the 10th June, 2020

No. F.1-183/2015-Admn.—Consequent upon the approval of Secretary, IT, Mr. Muhammad Jamil, Drawing & Disbursing Officer (BS-18) has been assigned additional charge of the post of Section Officer (F&A), Ministry of Information Technology and Telecommunication with effect from 15th May, 2020 for a period of three (03) months or till arrival of regular incumbent whichever is earlier.

NASEEM AHMED KHAN,
Deputy Secretary.

MINISTRY OF INTERIOR

Islamabad, the 17th June, 2020

No. 5/11/2020-Admn-I.—In pursuance of the Establishment Division's Notification No.F.1-44/2011-E-2 dated 10th June, 2020, Mr. Munir Sadiq, Deputy Secretary (SG/BS-19) has assumed the charge of the post of Deputy Secretary, Interior Division on 12th June, 2020.

Islamabad, the 19th June, 2020

No. 4/5/2019-Admn-I.—Mr. Nisar Ahmed, Superintendent (BS-16), Ministry of Interior has been allowed current charge of the post of Section Officer (Lit-II) with effect from 15th April, 2020 for a period of three months or till posting of a regular incumbent whichever is earlier.

This issues with the approval of the Additional Secretary-I.

No. 5/34/2017-Admn-I.—Malik Muhammad Afzal, Deputy Secretary (IP&N), Ministry of Interior has been granted LFP with effect from 5th June to 26th June on account of medical grounds.

On expiry of the leave, the officer is expected to resume his duty in Ministry of Interior on due date.

This issues with the approval of the Additional Secretary-I.

MUHAMMAD UMAIR,
Section Officer (Admn-I).

Islamabad, the 10th June, 2020

No. 3/27/2018-ICT-I.—On attaining the age of superannuation i.e. 60 years, Mr. Muhammad Ashraf, Deputy Superintendent of Police (BS-17), Islamabad Capital Territory Police, Islamabad shall stand retired from Government Service with effect from 20th June, 2020.

MUHAMMAD SHAFIQUE,
Section Officer (ICT-I).

MINISTRY OF INTER PROVINCIAL COORDINATION

(IPC Division)

Islamabad, the 10th June, 2020

No. F.2(10)/2010-Admn-I.—With the approval of competent authority i.e. Secretary, IPC, Dr. Mir Aijaz Hussain Talpur, Joint Secretary (BS-20) (CCI) is allowed to hold Additional charge of the post of Joint Secretary (PDM) in addition to his own duties for a period of 03-months (90-days), with immediate effect or till the availability of regular incumbent, whichever is earlier. He will be entitled to draw additional remuneration as admissible under the rules.

Islamabad, the 11th June, 2020

No. F.1(653)/2019-Admn-I.—In pursuance of Establishment Division's Notification No.F.1-82/2012-E-2 dated 5th June, 2020, Mr. Shakeel Qaiser Kayani, Deputy Secretary (BS-19), has relinquished the charge of the post of Deputy Secretary (BS-19), Ministry of Inter Provincial Coordination, with effect from 8th June, 2020.

No. F.1(427)/2012-Admn-I.—With the approval of competent authority i.e. Secretary, IPC, Mr. Muhammad Zeeshan, Accounts Officer (BS-18) is granted ex-Pakistan leave from 1st July, 2020 to 18th November, 2023 as per following manner:-

Half Average pay (506-days)

From 1st July, 2020 to 18th November, 2021

EOL = (730-days)

From 19th November, 2021 to 18th November, 2023

Total= 1,236-days (03-years, 04-Months & 18-days)

2. After expiry of leave, the officer is expected to report for duty on same post and same station.

Islamabad, the 12th June, 2020

No. F.1(659)/2019-Admn-I.—With the approval of competent authority *i.e.* Secretary, IPC, Mr. Muhammad Saleem, Deputy Secretary (BS-19) (IPC) is allowed to hold Additional charge of the post of Deputy Secretary (CCI) in addition to his own duties for a period of 03-months (90-days), with effect from 11th June, 2020 or till the availability of regular incumbent, whichever is earlier. He will be entitled to draw additional remuneration as admissible under the rules.

JUNAID ALAM,
Section Officer (Admn-I).

MINISTRY OF LAW AND JUSTICE

Islamabad, the 11th June, 2020

No. F.2(4)/2017-A.V.—The competent authority has been pleased to entrust the powers of Drawing and Disbursing Officer (DDO) of Special Court (Central), Faisalabad to Mr. Waseem Akhtar, Judge, Banking Court-I, Faisalabad.

No. F.8(25)/2017-A.V.—On the recommendations of Departmental Promotion Committee (DPC-II) and with the approval of competent authority, Mr. Reham Dad Khan, Stenotypist (BPS-14), Accountability Court-II, Peshawar is hereby promoted as Assistant Private Secretary (BPS-16) in the Accountability Court-IV, Peshawar, with immediate effect.

His services are placed on probation for a period of one year, extendable for a further period not exceeding one year.

MUHAMMAD KAMRAN,
Section Officer (A.V).

Islamabad, the 15th June, 2020

No. F.37(1)/2019-A.II.—With the approval of the Secretary, Law and Justice Division, Mr. Mansab Ali, Superintendent (BS-17), is hereby entrusted current charge of the vacant post of Administrative Officer (BS-17), Federal Service Tribunal, Islamabad, with immediate effect for a period of three months or till the availability of a regular incumbent against the post, whichever is earlier.

IQBAL MAHMOOD BUTT,
Section Officer.

Islamabad, the 12th June, 2020

No. 24(17)/1997-A.III(Vol-V).—In exercise of the powers conferred by Section 5(4) of the Financial Institutions (Recovery of Finances) Ordinance, 2001 (XLVI of 2001), the Federal Government has been pleased to appoint following District and Sessions Judges (BS-21) on deputation basis in their own pay and scales for the period of three years or till the date of superannuation or until further orders as the case may be, whichever is earlier, with effect from the date of assumption of charge as under:-

S. No.	Name of Judges	Appointed as /Period of Appointment
1.	Mr. Nadeem Gulzar, D&SJ	Judge, Banking Court-I, Lahore for the period of three years
2.	Mr. Muhammad Sajid Ali, D&SJ	Judge, Banking Court-IV, Lahore for the period of three years
3.	Mr. Ghulam Murtaza, D&SJ	Judge, Banking Court-VII, Lahore for the period of three years
4.	Mr. Shabbir Hussain Awan, D&SJ	Judge, Banking Court-I, Gujranwala, (till the date of his superannuation <i>i.e.</i> 9th December, 2021
5.	Syed Dawar Zafar Ali, D&SJ	Judge, Banking Court-II, Faisalabad for the period of three years
6.	Mr. Muhammad Ibrahim Asghar, D&SJ	Judge, Banking Court, Sahiwal for the period of three years
7.	Malik Khizar Hayat Khan, D&SJ	Judge, Banking Court, Sargodha (till the date of his superannuation <i>i.e.</i> 30th November, 2020

No. 24(17)/1997-A.III(Vol-V).—In exercise of the powers conferred by Section 3(2) of the Special Court (Offences in Banks) Ordinance, 1984 Ordinance No.IX of 1984), the Federal Government has been pleased to appoint following District and Sessions Judges (BS-21) as Presiding Officer on deputation basis in their own pay and scales for the period of three years or until further orders, whichever is earlier with effect from the date of assumption of charge as under:-

S. No.	Name of Judge	Appointed as /Period of Appointment
1.	Raja Pervaiz Akhtar, D&SJ	Judge, Special Court (Offences in Banks-I), Lahore for the period of three years

S. No.	Name of Judge	Appointed as /Period of Appointment
2.	Mr. Manzer Ali Gill, D&SJ	Judge, Speical Court (Offences in Banks), Multan, for the Period of three years

MUHAMMAD RAZAULLAH LAKHO,
Section Officer (A-III).

Islamabad, the 15th June, 2020

No. F.25(165)/2008-A-VII.—Consequent upon his appointment on deputation basis for a period of three years with effect from the date of joining in National Disaster Management Authority, Islamabad Mr. Fiaz Ahmad, Assistant Private Secretary (BPS-16) has been relieved from Attorney General's Office, Ministry of Law and Justice, Islamabad.

WAJID AZIZ
Section Officer (Coord/A-VII).

MINISTRY OF MARITIME AFFAIRS

Islamabad, the 16th June, 2020

No. F.12(1)/2018-KPT.—In pursuance to the Cabinet decision in Case No.395/Rule-19/2020 dated 11th June, 2020, the Federal Government has been pleased to approve the resignation of Mr. Atif Bajwa as a Government Nominee on the Board of Trustee of Karachi Port Trust from the date of his resignation *i.e.* 27th February, 2020 and nomination of Syed Javed as his replacement for the remaining term *i.e.* (2018-2020).

DR. ALI QAIM,
Section Officer.

[PORTS & SHIPPING WING]

Karachi, the 12th June, 2020

No. 13(1)/2019-Estt.—In pursuance of Government of Pakistan, Cabinet Secretariat, Establishment Division's Notification No.PF(751)/E-5(PAS) dated 9th June, 2020, Mr. Shakeel Ahmed Mangnejo, an Officer of Pakistan Administrative Service (BPS-21) has assumed the additional charge of the post of Director General (BS-21), Ports & Shipping Wing, Karachi under Maritime Affairs, Division with effect from 12th June, 2020 for a period of three months or till the posting of a regular incumbent, whichever is earlier.

ALI MUHAMMAD,
Section Officer (Estt).

MINISTRY OF NATIONAL FOOD SECURITY
AND RESEARCH

Islamabad, the 8th June, 2020

No. F.1-8/2018-Admn-I.—In pursuance of Establishment Division's Notification No.F.39/979/2013-E-I dated 1st June, 2020, Mr. Muhammad Khurshid, a BS-20 Officer of Secretariat Group, has relinquished the charge of the post of Joint Secretary (BS-20) in the National Food Security and Research Division with effect from 1st June, 2020.

TAHIR MEHMOOD QURESHI,
Deputy Secretary.

Islamabad, the 10th June, 2020

No. F.1-8/86-Admn-I.—Mr. Muhammad Arshad, DDO/ Superintendent (BS-17) is entrusted the current charge of the post of Section Officer (B&C) in the Ministry of National Food Security and Research with effect from 28th May, 2020 for a period of three (03) months or till the availability of regular incumbent of the post, whichever is earlier.

This issues with the approval of the Secretary, Ministry of National Food Security and Research.

RIAZ AHMED,
Section Officer (Admn-I).

MINISTRY OF NATIONAL HEALTH SERVICES,
REGULATIONS & COORDINATION

Islamabad, the 9th June, 2020

No. PF.1(70)/2011-Admn-I.—In pursuance of this Division's Sanction letter of even number dated 8th June, 2020, and endorsement by Finance Division *vide* No.F.6(1)Reg-2/2018-187 dated 8th June, 2020 the post of Marketing Officer (BS-17) is hereby re-designated as Assistant Director (BS-17) in this Division with immediate effect.

Consequent upon re-designation of the post, Mr. Farhan Sikandar, has relinquished the charge of the post of Marketing Officer (BS-17) on 9th June, 2020 and assumed the charge of the post of Assistant Director (BS-17) in this Division with effect from 9th June, 2020.

Islamabad, the 10th June, 2020

No. F.9-97/2014-(Admn-I).—On the recommendations of the Departmental Promotion Committee and with the approval of competent authority *i.e.* Secretary, Ministry of National Health Services, Regulations & Coordination, Mr. Muhammad Jamil, Assistant Director (BS-17/Non-Medical) is hereby promoted to the post of Deputy Director (BS-18/Non-Medical) with effect from 22nd April, 2020.

Islamabad, the 11th June, 2020

No. F.9-97/2014-Admn-I.—In pursuance of this Ministry's Notification No.9-97/2014-Admn-I dated 10th June, 2020, Mr. Muhammad Jamil has relinquished the charge of the post of Assistant Director (BS-17/Non-Medical) Ministry of National Health Services, Regulations and Coordination with effect from 22nd April, 2020.

On promotion, Mr. Muhammad Jamil has assumed the charge of the post of Deputy Director (BS-18/Non-Medical) in M/o. National Health Services, Regulations and Coordination with effect from 22nd April, 2020.

ASGHAR ALI,
Deputy Secretary (Admn).

Islamabad, the 9th June, 2020

No. F.1-712/2019-Estab-III.—On attaining the age of superannuation, Dr. Rahila Akhtar, Assistant Anaesthetist (BS-18), Pakistan Institute of Medical Sciences, Islamabad, shall retire from the Government Service on 29th May, 2020.

Islamabad, the 10th June, 2020

No. F.11-7/2017-Estab-III.—In pursuance of Islamabad High Court, Islamabad order dated 24th October, 2019 and 4th June, 2020 in Writ Petition No.3650/2019, the notification of even number dated 2nd December, 2019, regarding promotion of officers on the recommendation of Departmental Selection Board in its meeting held on 2nd December, 2019 may please be treated as cancelled/withdrawn *ab-initio* till final outcome of the with Writ Petition No.3650/2019.

This issues with the approval of competent authority *i.e.* Secretary, NHR&C.

SAEED AHMAD,
Deputy Secretary (Estab-III).

[DRUG REGULATORY AUTHORITY OF PAKISTAN]

Islamabad, the 8th June, 2020

No. PF.1692-TS/Admn-I(Vol-II).—Mrs. Tehreem Sara, Deputy Director (BS-18), Pharmaceutical Evaluation & Registration Division, Drug Regulatory Authority of Pakistan, Islamabad has been granted 12 days leave with full pay (LFP) with effect from 1st June, 2020 to 12th June, 2020 with permission to leave the station.

After expiry of the said leave, the officer concerned is expected to resume her duty on the same post and at the same station.

This issues with the approval of the competent authority.

No. PF.1704-FS/Admn-I(Vol-II).—In pursuance of DRAP's Office Order No.F.6-6/2011-Admn-I(Pt-II) dated 21st May, 2020, Mr. Faisal Shahzad has relinquished the charge of the post of Deputy Director (BS-18), Controlled Drugs Division, DRAP, Islamabad with effect from 1st June, 2020 and assumed the charge of the post of Deputy Director (BS-18), Medical Devices & Medicated Cosmetics Division, DRAP, Islamabad on the same date.

No. PF.1672-MAA/Admn-I(Vol-II).—In pursuance of DRAP's Office Order No.F.6-6/2011-Admn-I(Pt-II) dated 21st May, 2020, Mr. Muhammad Akhtar Abbas Khan has relinquished the charge of the post of Deputy Director (BS-18), Quality Assurance & Laboratory Testing Division, DRAP, Islamabad with effect from 1st June, 2020 and assumed the charge of the post of Deputy Director (BS-18), Controlled Drugs Division, DRAP, Islamabad on the same date.

No. PF.15-MK/Admn-I.—In pursuance of DRAP's notification of even number dated 15th May, 2020, Mr. Muhammad Kashif, Assistant Director (BS-17), Quality Assurance & Laboratory Testing Division, Drug Regulatory Authority of Pakistan, Islamabad was granted 12 days leave with full pay (LFP) with effect from 18th May, 2020 to 29th May, 2020.

After availing the said leave, the officer concerned has resumed his duties with effect from 1st June, 2020 on the same post and at the same station (Being public holidays with effect from 30th May, 2020 & 31st May, 2020).

No. PF.427-NH-Admn-I.—In pursuance of Drug Regulatory Authority of Pakistan's notification of even number dated 14th May, 2020, Mr. Noor Hussain, Assistant Private Secretary (BS-16), PE & R Division, Drug Regulatory Authority of Pakistan, Islamabad was granted 30 days leave with full pay.

After availing 28 days leave with full pay (LFP) with effect from 2nd May, 2020 to 29th May, 2020, the officer concerned has resumed his duties with effect from 1st June, 2020 on the same post and at the same station (Being public holidays on 30th May, 2020 & 31st May, 2020).

No. PF.82-GA/Admn-I.—In pursuance of Drug Regulatory Authority of Pakistan's notification of even number dated 13th May, 2020, Mr. Ghayour Ahmed, Assistant Director (RO-12), Health & OTC Division, Drug Regulatory Authority of Pakistan, Islamabad was granted 10 days leave with full pay.

After availing 08 days leave with full pay (LFP) with effect from 14th May, 2020 to 21st May, 2020, the officer concerned has resumed his duties with effect from 28th May, 2020 on the same post and at the same station. (Being public holidays with effect from 22nd May, 2020 to 27th May, 2020 on the occasion of Eid-ul-Fitr).

No. PF.65-SA/Admn-I.—In pursuance of DRAP's Office Order No.F.6-6/2011-Admn-I(Pt-II) dated 21st May, 2020, Mst. Sadaf Ahmad has relinquished the charge of the post of Assistant Director (RO-12), Health & OTC Division,

DRAP, Islamabad with effect from 28th May, 2020 and assumed the charge of the post of Assistant Director (RO-12), Medical Devices & Medicated Cosmetics Division, DRAP, Islamabad on the same date.

No. PF.59-MA/Admn-I.—In pursuance of DRAP's Office Order No.F.6-6/2011-Admn-I(Pt-II) dated 21st May, 2020, Mr. Muhammad Ashfaq has relinquished the charge of the post of Assistant Director (RO-12), Health & OTC Division, DRAP with effect from 1st June, 2020 and assumed the charge of the post of Assistant Director (RO-12), Quality Assurance & Laboratory Testing Division, DRAP, Islamabad on the same date.

No. PF.46-AT/Admn-I.—In pursuance of DRAP's Office Order No.F.6-6/2011-Admn-I(Pt-II) dated 21st May, 2020, Mr. Arslan Tariq has relinquished the charge of the post of Assistant Director (RO-12), Medical Devices & Medicated Cosmetics Division, DRAP, Islamabad with effect from 1st June, 2020 and assumed the charge of the post of Assistant Director (RO-12), Health & OTC Division, DRAP, Islamabad on the same date.

No. PF.162-SM/Admn-I.—In pursuance of Drug Regulatory Authority of Pakistan's notification of even number dated 15th May, 2020, Mst. Saadia Mahwish, Deputy Director (RO-13), Quality Assurance & Laboratory Testing Division, Drug Regulatory Authority of Pakistan, Islamabad was granted 15 days leave with full pay (LFP) with effect from 18th May, 2020 to 1st June, 2020.

After availing the said leave, the officer concerned has resumed her duties with effect from 2nd June, 2020 on the same post and at the same station.

No. PF.159-AA/Admn-I.—In pursuance of Drug Regulatory Authority of Pakistan's notification of even number dated 8th May, 2020, Mr. Ayyaz Ahmad, Deputy Director (RO-13), Drug Licesing Division, DRAP, Islamabad was granted 12 days leave with full pay.

After availing 11 days leave with full pay with effect from 11th May, 2020 to 21st May, 2020, the officer concerned has resumed his duties with the effect 28th May, 2020 on the same post and at the same station (Being public holidays with effect from 22nd May, 2020 to 27th May, 2020 on the occasion of Eid-ul-Fitr).

No. PF.126-AW/Admn-I.—In pursuance of Drug Regulatory Authority of Pakistan's notification of even number dated 14th May, 2020, Mr. Abdul Waheed, Assistant Director (RO-12), Medical Devices & Medicated Cosmetics Division's Drug Regulatory Authority of Pakistan, Islamabad was granted 40 days leave with full pay (LFP) with effect from 20th April, 2020 to 29th May, 2020.

After availing the said leave, the officer concerned has resumed his duties with effect from 1st June, 2020 on the same post and at the same station. (Being public holidays on 30th May, 2020 & 31st May, 2020).

No. PF.42-SY/Admn-II.—In pursuance of Drug Regulatory Authority of Pakistan's notification of even number dated 6th March, 2020, Mst. Sidra Yasmeen, Assistant Director (RO-12), Drug Regulatory Authority of Pakistan, Karachi was granted 12 days leave with full pay (LFP) with effect from 9th March, 2020 to 20th March, 2020.

After availing the said leave, the officer concerned has resumed her duties with effect from 24th March, 2020 on the same post and at the same station (Being public holidays with effect from 21st March, 2020 to 23rd March, 2020).

No. PF.120-HSUB/Admn-I.—In pursuance of DRAP's Office Order No.F.6-6/2011-Admn-I(Pt-II) dated 4th June, 2020, Hafiz Sanaullah Babar has relinquished the charge of the post of Assistant Director (RO-12), Health & OTC Division, DRAP, Islamabad with effect from 5th June, 2020 and assumed the charge of the post of Assistant Director (RO-12), Quality Assurance & Laboratory Testing Division, Islamabad on the same date.

No. PF.120-HSUB/Admn-I.—In pursuance of DRAP's Office Order No.F.6-6/2011-Admn-I(Pt-II) dated 21st May, 2020, Hafiz Sanaullah Babar has relinquished the charge of the post of Assistant Director (RO-12), Quality Assurance & Laboratory Testing Division, DRAP, Islamabad with effect from 1st June, 2020 and assumed the charge of the post of Assistant Director (RO-12), Health & OTC Division, DRAP, Islamabad on the same date.

Islamabad, the 9th June, 2020

No. PF.11-FA/Admn-I.—In pursuance of Drug Regulatory Authority of Pakistan's notification of even number dated 7th May, 2020, Mr. Farman Ali Bozdar, Assistant Director (BS-17), Drug Licensing Division, Drug Regulatory Authority of Pakistan, Islamabad was granted 12 days leave with full pay (LFP) with effect from 18th May, 2020 to 29th May, 2020.

After availing the said leave, the officer concerned has resumed his duties with effect from 1st June, 2020 on the same post and at the same station. (Being public holidays with effect from 30th May, 2020 & 31st May, 2020).

No. PF.70-HU/Admn-I.—Mr. Hanif Ullah, Assistant Director (RO-12), Pharmaceutical Evaluation & Registration Division, Drug Regulatory Authority of Pakistan, Islamabad has been granted 19 days leave with full pay (LFP) with effect from 8th June, 2020 to 26th June, 2020 with permission to leave the station.

After expiry of said leave, the officer concerned is expected to resume his duty on the same post and at the same station.

This issues with the approval of the competent authority.

HAMZA ZUBAID MALIK,
Assistant Director (Admn-I).

MINISTRY OF PLANNING, DEVELOPMENT &
SPECIAL INITIATIVES

[PLANNING COMMISSION]

Islamabad, the 16th June, 2020

No. 4(77)HRM-III/PD&SI/2020.—In pursuance of Establishment Division's Notification No.1/23/2020-E-6 dated 2nd April, 2020, Dr. Hamid Jalil, has assumed charge of the post of Member (Food Security & Climate Change), Planning Commission in MP-I Scale, on contract basis for a period of two years, with effect from 16th June, 2020.

INAM ULLAH KHAN,
Deputy Secretary.

Islamabad, the 18th June, 2020

No. 1(5)HRM-V/PD/2012.—On the recommendation of Departmental Promotion Committee-I and with the approval of Secretary, M/o. Planning, Development & Special Initiatives, Islamabad, Mr. Muzaffar Ali, Assistant Private Secretary (BS-16) of this Ministry is promoted as Private Secretary (BS-17) with effect from 29th May, 2020.

He will be on probation for a period of one year with effect from his date of promotion *i.e.* 29th May, 2020, extendable for a further period of one year in terms of Rule 21 of the Civil Servants (Appointment, Promotion and Transfer) Rules, 1973.

M. IFTIKHAR IMADI,
Deputy Secretary.

Islamabad, the 10th June, 2020

No. 1(10)HRM-VI/PD/82.—On the recommendation of Departmental Promotion Committee-II and with the approval of Senior Joint Secretary (HRM), Mr. Muhammad Shahid Sadiq, Draftsman (BS-13) of this Ministry has been promoted to the post of Head Draftsman (BPS-16) with effect from 29th May, 2020 and until further orders.

He will be on probation for a period of one year with effect from the date of promotion, extendable for a further period of one year in terms of Rule 21 of the Civil Servants (Appointment, Promotion and Transfer) Rules, 1973.

No. 1(10)HRM-VI/PD/82.—In pursuance of this Ministry's notification of even number dated 10th June, 2020, Mr. Muhammad Shahid Sadiq has assumed the charge of the post of Head Draftsman (BPS-16) with effect from 29th May, 2020.

SHAHID AHMED,
Section Officer (HRM-V).

MINISTRY OF RAILWAYS

[RAILWAY BOARD]

Islamabad, the 11th June, 2020

No. 24(1)/2018-E-I.—In pursuance of the Federal Government decision conveyed *vide* Cabinet Division's Memorandum No.4-11/2019-Min-1 dated 23rd December, 2019, M/s. Railway Estate Development & Marketing Company Limited (REDAMCO) and Kashmir Railway Limited (KR) are hereby declared wounded up/Liquidated with effect from 23rd December, 2019 subject to fulfillment of all codal formalities, appointment of liquidator *etc.* as per rules.

MUSTAEEN AHMED ALVI,
Director /Establishment.

Islamabad, the 12th June, 2020

No. 3/1-3/2020-A-I(1).—The competent authority (Prime Minister) on the recommendations of 24th meeting of High Powered Selection Board (HPSB) held on 5th June, 2020 and 11th June, 2020 has approved the promotion of Mr. Abdul Hameed Razi from BS-21 to BS-22 in Railways (Commercial & Transportation) Group.

No. 6/3-3/2020-A-I.—With immediate effect and until further orders, Mr. Abdul Hameed Razi, a BS-21 Officer of Railways (Commercial & Transportation) Group, presently working as Managing Director /PRACS, Rawalpindi, is transferred and posted as Chief Executive Officer, Pakistan Railways Freight Transportation Company (PRFTC), Lahore by relieving Mr. Nisar Ahmad Memon, Additional General Manager/ Infrastructure, Pakistan Railways, Headquarters Office, Lahore from the additional charge of the post.

This issues with the approval of Secretary/ Chairman Railways.

ASJID RASHID MIRZA,
Deputy Director/Admn-I.

Islamabad, the 15th June, 2020

No. Admn-IV/19-TR/3.—In pursuance of Chief Personnel Officer, Pakistan Railways, Headquarters Office, Lahore Notification No.940-E/2361-DLA(APO-V) dated 1st June, 2020, Mr. Shahbaz Ahmed, a BS-17 Officer of General Administration of Pakistan Railways has reported for duty on 5th June, 2020 and posted as Assistant Director/ Legal Affairs (BS-17), Ministry of Railways, Islamabad vice Mr. Munawar Hussain.

2. Mr. Munawar Hussain, Assistant Director /Legal Affairs (BS-17-OPS), Ministry of Railways is transferred/ posted as Assistant Director /B&C (BS-17/OPS) relieving Mr. Junaid Saleem Malik, DD/A-V from the look-after of the post of Deputy Director /B&C with effect from 12th June, 2020.

FAHEEM AHMED MALIK,
Assistant Director /Admn-IV.

MINISTRY OF RELIGIOUS AFFAIRS AND
INTERFAITH HARMONY

Islamabad, the 17th June, 2020

No. 1(17)/90-P-I.—In line with the decision of the Federal Cabinet *vide* Case No.389/Rule-19/2020 dated 9th June, 2020, titled, "Acceptance of resignation of the Evacuee Trust Property Board Members", Federal Government (Federal Cabinet) has been pleased to accept the resignation of following members from the membership of Evacuee Trust Property Board (ETPB) with effect from 9th June, 2020:-

- i. Ms. Shunila Ruth, MNA,
- ii. Ms. Wajiha Akram, MNA,
- iii. Mr. Mahinder Pall Singh, MPA-Punjab,
- iv. Mr. Ravi Kumar, MPA-Khyber Pakhtunkhwa,

IMRAN RASHID,
Deputy Secretary (EP).

Islamabad, the 11th June, 2020

No. F.9(136)/2012-Admn.—In pursuance of Establishment Division's Notification No.1-68/2012-E-2, dated 24th April, 2019 and O.M. dated 8th June, 2020, Mr. Farid Islam Khattak, Deputy Secretary (BS-19) is relieved of his duties from Ministry of Religious Affairs and Interfaith Harmony, Government of Pakistan, Islamabad with effect from 11th June, 2020.

This issues with the approval of the Secretary, Ministry of Religious Affairs and Interfaith Harmony.

AZIZULLAH KHAN,
Section Officer.

Islamabad, the 10th June, 2020

No. F.3(21)/D-II/2012.—In pursuance of Cabinet Division Memorandum No.7-2/2019-Min-I dated December 19, 2019 Madrassah Reforms Scheme (Teaching of Formal subject in Deeni Madaris) stands transferred to Ministry of Federal Education and Professional Training Division, Islamabad with effect from 1st July, 2020.

No. F.3(21)/D-II/2012.—In pursuance of Cabinet Division's Memorandum No.7-2/2019-Min-I dated 19th December, 2019 Pakistan Madrassah Education Board & three allied Model Dini Madaris (Islamabad for girls, Sukkur and Karachi for boys) alongwith Administrative & Teaching Staff (with post and budget) stands transferred to Ministry of Federal Education and Professional Training Division, Islamabad to be placed & operated in the building owned by the receiving Ministry with immediate effect.

AYESHA EJAZ,
Assistant Director (Dawah).

[INTERFAITH HARMONY WING]

Islamabad, the 18th June, 2020

No. 9(14)/2011-P-I(Vol-V).—Mr. Sanaullah Khan, Additional Secretary, Admin (BS-18), Evacuee Trust Property Board (ETPB), is hereby assigned current charge of the post of Secretary (BS-19), ETPB with effect from 17th June, 2020 for a period of three months or till the appointment of regular incumbent, whichever is earlier.

AFSAR KHAN,
Section Officer (P-I).

MINISTRY OF SCIENCE & TECHNOLOGY

Islamabad, the 10th June, 2020

No. 3(8)/2002-Estt-II.—In pursuance of Establishment Division O.M. No.31/1/2019-SP dated 9th June, 2020 and with the approval of Secretary, Ministry of Science & Technology, Mr. Kamran Nawaz, System Administrator (BS-18) declared surplus by (Defunct) Pakistan Computer Bureau now NITB, Islamabad under M/o. of Information Technology awaiting absorption is hereby absorbed on requisition basis in Ministry of Science and Technology against the post of Assistant Electronics Adviser (BS-18) with effect from 9th June, 2020 under Rules 3(3) & 3(4) of Civil Servants (APT) Rules, 1973.

SHAKIL ARSHAD,
Deputy Secretary (Admn).

NATIONAL ASSEMBLY SECRETARIAT

Islamabad, the 9th July, 2020

No. G(454)/Estt.I(114).—Mr. Muhammad Ashique, Deputy Secretary (BS-19) in the National Assembly Secretariat shall stand retired from Government Service with effect from 28th October, 2020, on attaining the age of superannuation.

No. G(259)/Estt-I(115).—Mr. Imdad Hussain Malik, Senior Private Secretary (BS-19) in the National Assembly Secretariat shall stand retired from Government Service with effect from 9th October, 2020, on attaining the age of superannuation.

MUHAMMAD FAROOQ,
Section Officer.

SENATE SECRETARIAT

Islamabad, the 24th June, 2020

No. M(454)/2004-HRM(78).—The competent authority has been pleased to terminate the probation period of Mr. Rehan Islam, Private Secretary (BPS-17), Senate Secretariat, Islamabad, with effect from 27th May, 2020.

Islamabad, the 30th June, 2020

No. M(472)/2005-HRM(80).—The competent authority has been pleased to terminate the probation period of Mr. Amjad Farooq, Private Secretary (BPS-17), Senate Secretariat, Islamabad, with effect from 27th May, 2020.

ZAHOOR AHMED,
Section Officer (HRM-I).

SUPREME COURT OF PAKISTAN

Islamabad, the 8th July, 2020

No. F.1/16/2015-SCA(3).—In exercise of powers conferred in terms of Supreme Court Establishment Service Rules, 2015, Hon'ble Chief Justice of Pakistan has been pleased to allow up-gradation to the following officer of this Court:-

Protocol Officer

The following Protocol Officer having 12 years service in BS-17 and above, is hereby upgraded from BS-18 to BS-19 with nomenclature as Senior Protocol Officer along with his post as personal to him with effect from the date mentioned against his name:-

S. No.	Name and Designation	BS	Date of up-gradation to BS-19
1	Mr. Mushtaq Ahmad, Protocol Officer	18	17.12.2019

2. In consequence of up-gradation, the above mentioned officer will not be entitled to claim any right of seniority over

his seniors in the seniority list being maintained by this office, from time to time.

3. This issues with the approval of the competent authority.

No. F.1/16/2015-SCA(1).—In exercise of powers conferred in terms of Supreme Court Establishment Service Rules, 2015, Hon'ble Chief Justice of Pakistan has been pleased to allow up-gradation to the following officers of this Court:-

Private Secretary

(i) The following Private Secretaries having 12 years service in BS-17 and above are hereby upgraded from BS-18 to BS-19 as Senior Private Secretary along with their posts as personal to them with effect from the date mentioned against their names:-

S. No.	Name and Designation	BS	Date of up-gradation to BS-19
1	Mr. Mahtab Hussain, Private Secretary	18	28.06.2020
2	Mr. Muhammad Saeed, Private Secretary	18	10.04.2020

ii) The following Private Secretary having 5 years service in BS-17 is hereby upgraded from BS-17 to BS-18 along with his post as personal to him with effect from the date mentioned against his name:-

S. No.	Name and Designation	BS	Date of up-gradation to BS-18
1	Mr. Zubair Ahmed, Private Secretary	17	17.12.2020

2. In consequence of up-gradation, the above mentioned officer will not be entitled to claim any right of seniority over their seniors in the seniority list being maintained by this office, from time to time.

3. This issues with the approval of the competent authority.

No. F.1/16/2015-SCA(2).—In exercise of powers conferred in terms of Supreme Court Establishment Service Rules, 2015, Hon'ble Chief Justice of Pakistan has been pleased to allow up-gradation to the following officer of this Court:-

Court Associate

The following Court Associate having 12 years service in BS-17 and above, is hereby upgraded from BS-17 to BS-18 BS-18 to BS-19 as Senior Court Associate along with his post as personal to him with effect from the date mentioned against his name:-

S. No.	Name and Designation	BS	Date of up-gradations
1	Mr. Muhammad Yousaf Jan, Court Associate	17	17.12.2019 for BS-18 & 18.12.2019 for BS-19

2. In consequence of up-gradation, the above mentioned officer will not be entitled to claim any right of seniority over his seniors in the seniority list being maintained by this office, from time to time.

3. This issues with the approval of the competent authority.

No. F.1/16/2015-SCA(5).—In exercise of powers conferred in terms of Supreme Court Establishment Service Rules, 2015, Hon'ble Chief Justice of Pakistan has been pleased to allow up-gradation to the following officer of this Court:-

Senior Assistant

The following Senior Assistant had completed 5 years length of service in BS-16, therefore, he is hereby upgraded from BS-16 to BS-17 along with his post as personal to him with effect from the date mentioned against his name:-

S. No.	Name and Designation	BS	Date of up-gradation to BS-17
1	Mr. Shahid Hussain, Senior Assistant (Retired w.e.f. 13.01.2020)	16	17.12.2019

2. In consequence of up-gradation, the above mentioned officer will not be entitled to claim any right of seniority over

his seniors in the seniority list being maintained by this office, from time to time.

3. This issues with the approval of the competent authority.

No. F.1/16/2015-SCA(4).—In exercise of powers conferred in terms of Supreme Court Establishment Service Rules, 2015, Hon'ble Chief Justice of Pakistan has been pleased to allow up-gradation to the following officer of this Court:-

Judicial Assistant

The following Judicial Assistant having 5 years service in BS-16, is hereby upgraded from BS-16 to BS-17 along with his post as personal to him with effect from the date mentioned against his name:-

S. No.	Name and Designation	BS	Date of up-gradation to BS-17
1	Mr. Amir Shahzad Nasir, Judicial Assistant	16	19.11.2019

2. In consequence of up-gradation, the above mentioned officer will not be entitled to claim any right of seniority over his seniors in the seniority list being maintained by this office, from time to time.

3. This issues with the approval of the competent authority.

PERVAIZ IQBAL,
Assistant Registrar (Admn).

FEDERAL SHARIAT COURT

Islamabad, the 9th July, 2020

No. F.1(661)/18-Admn-FSC.—Consequent upon completion of his deputation period (02 years), Mr. Muhammad Ijaz Ghani, a BPS-20 Officer of Secretariat Group, is repatriated to the Establishment Division, Government of Pakistan, Islamabad with effect from 9th July, 2020 (afternoon).

The officer is directed to report the said Division, accordingly.

GHULAM RASOOL,
Deputy Registrar (Admin).



The Gazette of Pakistan

PUBLISHED BY AUTHORITY

KARACHI, WEDNESDAY, JULY 22, 2020

PART II

Notifications issued by Ministry of Defence and Ministry of Defence Production

Karachi, the 22nd July, 2020

MINISTRY OF DEFENCE

(Defence Division)

No. 334/2020 :

The following 615 officers have been granted substantive promotions of Major with effect from the date as shown against their names :-

S. No.	Army No.	Rank	Name	Arm	Due Date
1.	42506	Maj.	Syed Mustajib Ul Hasan	AC	15th April, 2019
2.	42507	Maj.	Jibran Afzal Afridi	AC	15th April, 2019
3.	42512	Maj.	Faizan Ahmed	AC	15th April, 2019
4.	42546	Maj.	Muhammad Haseeb Ur Rehman Khan	AC	15th April, 2019
5.	42547	Maj.	Sikandar Haq Tareen	AC	15th April, 2019
6.	42560	Maj.	Bilal Asghar	AC	15th April, 2019
7.	42565	Maj.	Abdul Rehman Altaf	AC	15th April, 2019
8.	42586	Maj.	Saad Zafar	AC	15th April, 2019
9.	42592	Maj.	Muhammad Abdul Basit	AC	15th April, 2019
10.	42602	Maj.	Hafiz Malik Humayun	AC	15th April, 2019
11.	42638	Maj.	Fahim Ahmad Jan	AC	15th April, 2019
12.	42654	Maj.	Zohaib Mahmood	AC	15th April, 2019

S. No.	Army No.	Rank	Name	Arm	Due Date
13.	42674	Maj.	Jibran Basit	AC	15th April, 2019
14.	42696	Maj.	Hassan Abbas Bin Asghar	AC	15th April, 2019
15.	42721	Maj.	Haider Hussain	AC	15th April, 2019
16.	42724	Maj.	Muhammad Sohail	AC	15th April, 2019
17.	42734	Maj.	Inam Ul Haq	AC	15th April, 2019
18.	42737	Maj.	Riaz Ud Din Mengal	AC	15th April, 2019
19.	42763	Maj.	Qasim Ali Sherazi Syed	AC	15th April, 2019
20.	42771	Maj.	Waqar Alam Shah, T Bt.	AC	15th April, 2019
21.	42776	Maj.	Khalid Waleed	AC	15th April, 2019
22.	42778	Maj.	Usman Ahmad	AC	15th April, 2019
23.	42794	Maj.	Muhammad Umar Nangiana	AC	15th April, 2019
24.	42802	Maj.	Raza Jamshaid	AC	15th April, 2019
25.	42808	Maj.	Muhammad Umer Zubair	AC	15th April, 2019
26.	42816	Maj.	Muhammad Salman	AC	15th April, 2019
27.	43092	Maj.	Akhtar Abbas	AC	24th September, 2019
28.	43101	Maj.	Hafiz Shahid Hussain	AC	24th September, 2019
29.	43108	Maj.	Muhammad Nasir Khan	AC	24th September, 2019
30.	43134	Maj.	Muhammad Waqas Khattak	AC	24th September, 2019
31.	43144	Maj.	Taimur Tamim	AC	24th September, 2019
32.	43154	Maj.	Muhammad Faheem Ayaz	AC	24th September, 2019
33.	43163	Maj.	Abdul Qadeer Mazari	AC	24th September, 2019
34.	43193	Maj.	Muhammad Irfan	AC	24th September, 2019
35.	43223	Maj.	Umair Nawaz	AC	24th September, 2019
36.	43232	Maj.	Sajid Ali	AC	24th September, 2019
37.	43263	Maj.	Umair Yaseen	AC	24th September, 2019
38.	43279	Maj.	Bilal Ali Virk	AC	24th September, 2019

S. No.	Army No.	Rank	Name	Arm	Due Date
39.	43284	Maj.	Khiyam Ayub	AC	24th September, 2019
40.	43310	Maj.	Muhammad Awais Yaqoob	AC	24th September, 2019
41.	43312	Maj.	Shahzad Bashir Anjum	AC	24th September, 2019
42.	43346	Maj.	Babar Shahbaz	AC	24th September, 2019
43.	43348	Maj.	Aftab Ahmed	AC	24th September, 2019
44.	43362	Maj.	Wasim Ullah Baig	AC	24th September, 2019
45.	43377	Maj.	Sohail Akbar	AC	24th September, 2019
46.	42509	Maj.	Mohsin Waqar	Arty.	15th April, 2019
47.	42510	Maj.	Muhammad Usman Chishty	Arty.	15th April, 2019
48.	42514	Maj.	Qazi Abdur Rehman	Arty.	15th April, 2019
49.	42536	Maj.	Asif Hussain	Arty.	15th April, 2019
50.	42545	Maj.	Farrukh Abbas	Arty.	15th April, 2019
51.	42550	Maj.	Ahmed Raza Awan	Arty.	15th April, 2019
52.	42557	Maj.	Muhammad Kashif Yasin	Arty.	15th April, 2019
53.	42570	Maj.	Hussain Ahmad	Arty.	15th April, 2019
54.	42576	Maj.	Farukh Ahmad Sher	Arty.	15th April, 2019
55.	42580	Maj.	Zeeshan Talib	Arty.	15th April, 2019
56.	42585	Maj.	Muhammad Shehryar	Arty.	15th April, 2019
57.	42591	Maj.	Muhammad Ibrahim	Arty.	15th April, 2019
58.	42593	Maj.	Kamran Ahmed	Arty.	15th April, 2019
59.	42595	Maj.	Abid Ali	Arty.	15th April, 2019
60.	42596	Maj.	Tazeem Afzal	Arty.	15th April, 2019
61.	42604	Maj.	Shahid Muddasar	Arty.	15th April, 2019
62.	42611	Maj.	Muhammad Shahzib Rafi	Arty.	15th April, 2019
63.	42629	Maj.	Masood Khan	Arty.	15th April, 2019
64.	42637	Maj.	Muhammad Ali Nawaz	Arty.	15th April, 2019

S. No.	Army No.	Rank	Name	Arm	Due Date
65.	42647	Maj.	Zaheer Ahmad	Arty.	15th April, 2019
66.	42649	Maj.	Amjad Ali Amjad	Arty.	15th April, 2019
67.	42653	Maj.	Shafqat Hussain	Arty.	15th April, 2019
68.	42664	Maj.	Umair Hassan	Arty.	15th April, 2019
69.	42667	Maj.	Mudassir Ajmal	Arty.	15th April, 2019
70.	42670	Maj.	Shahid Bilal	Arty.	15th April, 2019
71.	42679	Maj.	Saqib Iqbal	Arty.	15th April, 2019
72.	42697	Maj.	Muhammad Sheraz Ishaq	Arty.	15th April, 2019
73.	42700	Maj.	Shahzad Akbar	Arty.	15th April, 2019
74.	42714	Maj.	Ahmed Bilal Cheema	Arty.	15th April, 2019
75.	42715	Maj.	Atif Mahmood	Arty.	15th April, 2019
76.	42728	Maj.	Sajjad Ullah	Arty.	15th April, 2019
77.	42735	Maj.	Anjum Zahoor	Arty.	15th April, 2019
78.	42746	Maj.	Iftikhar Ahmad	Arty.	15th April, 2019
79.	42748	Maj.	Bilal Aamir Farooq	Arty.	15th April, 2019
80.	42754	Maj.	Malik Muhammad Ahsan	Arty.	15th April, 2019
81.	42764	Maj.	Danish Zahid	Arty.	15th April, 2019
82.	42766	Maj.	Jabir Noman	Arty.	15th April, 2019
83.	42785	Maj.	Muhammad Aman Ullah	Arty.	15th April, 2019
84.	42818	Maj.	Kaleemullah Khan	Arty.	15th April, 2019
85.	43060	Maj.	Farrukh Tariq Abbasi	Arty.	23rd September, 2019
86.	43064	Maj.	Ali Hassan	Arty.	23rd September, 2019
87.	43072	Maj.	Baidar Ahmad	Arty.	23rd September, 2019
88.	43080	Maj.	Rana Muhammad Sajid Akbar	Arty.	23rd September, 2019
89.	43090	Maj.	Muhammad Sohail Akhtar	Arty.	23rd September, 2019
90.	43114	Maj.	Liaqat Ali	Arty.	23rd September, 2019

S. No.	Army No.	Rank	Name	Arm	Due Date
91.	43119	Maj.	Hamad Shams	Arty.	23rd September, 2019
92.	43122	Maj.	Umair Shah	Arty.	23rd September, 2019
93.	43128	Maj.	Muhammad Sajid Amin	Arty.	23rd September, 2019
94.	43133	Maj.	Zahid Hussain	Arty.	23rd September, 2019
95.	43161	Maj.	Abdul Kabir	Arty.	23rd September, 2019
96.	43173	Maj.	Muhammad Usman	Arty.	23rd September, 2019
97.	43174	Maj.	Waqar Ahmed Khan	Arty.	23rd September, 2019
98.	43177	Maj.	Kaleem Ullah Khan Nasar, T Bt.	Arty.	23rd September, 2019
99.	43181	Maj.	Muhammad Arbab Salah Ud Din	Arty.	23rd September, 2019
100.	43183	Maj.	Haris Zaman	Arty.	23rd September, 2019
101.	43186	Maj.	Asad Ali Khan Burki	Arty.	23rd September, 2019
102.	43210	Maj.	Mazhar Iqbal	Arty.	23rd September, 2019
103.	43219	Maj.	Mansoor Abbas Khan	Arty.	23rd September, 2019
104.	43222	Maj.	Mian Khuram Majeed	Arty.	23rd September, 2019
105.	43234	Maj.	Yasir Khan	Arty.	23rd September, 2019
106.	43243	Maj.	Muhammad Saad Bin Haider	Arty.	23rd September, 2019
107.	43249	Maj.	Rizwan Ahmad	Arty.	23rd September, 2019
108.	43262	Maj.	Asim Shabir	Arty.	23rd September, 2019
109.	43266	Maj.	Abdul Moneim	Arty.	23rd September, 2019
110.	43270	Maj.	Muhammad Arslan Yasir	Arty.	23rd September, 2019
111.	43273	Maj.	Syed Qalbe Hussain Shah	Arty.	23rd September, 2019
112.	43276	Maj.	Muhammad Qamar Farooq	Arty.	23rd September, 2019
113.	43324	Maj.	Noman Javeed	Arty.	23rd September, 2019
114.	43332	Maj.	Fasih Ud Din	Arty.	23rd September, 2019
115.	43335	Maj.	Umar Shahzad	Arty.	23rd September, 2019
116.	43336	Maj.	Moez Khan Durrani	Arty.	23rd September, 2019

S. No.	Army No.	Rank	Name	Arm	Due Date
117.	43337	Maj.	Muhammad Tayyab Ghaznavi	Arty.	23rd September, 2019
118.	43359	Maj.	Muhammad Nabeel Nasir	Arty.	23rd September, 2019
119.	43367	Maj.	Omar Zia Sahi	Arty.	23rd September, 2019
120.	43374	Maj.	Muhammad Asif Tanveer	Arty.	23rd September, 2019
121.	43389	Maj.	Syed Ali Hassnain Afzal	Arty.	23rd September, 2019
122.	42518	Maj.	Muhammad Umar	Engrs.	15th April, 2019
123.	42529	Maj.	Mir Alam Din	Engrs.	15th April, 2019
124.	42555	Maj.	Ahmed Hassan	Engrs.	15th April, 2019
125.	42573	Maj.	Muhammad Saad Jadoon	Engrs.	15th April, 2019
126.	42608	Maj.	Shakir Khan	Engrs.	15th April, 2019
127.	42632	Maj.	Muhammad Faisal	Engrs.	15th April, 2019
128.	42636	Maj.	Waqas Javed	Engrs.	15th April, 2019
129.	42650	Maj.	Raja Haroon Gohar	Engrs.	15th April, 2019
130.	42655	Maj.	Asad Sultan	Engrs.	15th April, 2019
131.	42663	Maj.	Tahir Abbas	Engrs.	15th April, 2019
132.	42693	Maj.	Muhammad Saeed Arif	Engrs.	15th April, 2019
133.	42702	Maj.	Muhammad Adnan Zafar	Engrs.	15th April, 2019
134.	42710	Maj.	Sh. Usman Ghani	Engrs.	15th April, 2019
135.	42713	Maj.	Usman Saeed	Engrs.	15th April, 2019
136.	42738	Maj.	Zohaib Nawaz	Engrs.	15th April, 2019
137.	42765	Maj.	Syed Amir Ahmed Shah	Engrs.	15th April, 2019
138.	42811	Maj.	Usama Farooq	Engrs.	15th April, 2019
139.	43054	Maj.	Shazim Ali	Engrs.	24th September, 2019
140.	43076	Maj.	Syed Ishtiaq Ahmed	Engrs.	24th September, 2019
141.	43078	Maj.	Muhammad Jahangir Khan	Engrs.	24th September, 2019
142.	43096	Maj.	Ghulam Mujtaba	Engrs.	24th September, 2019

S. No.	Army No.	Rank	Name	Arm	Due Date
143.	43099	Maj.	Muhammad Adeel Afzal	Engrs.	24th September, 2019
144.	43113	Maj.	Arshad Ali	Engrs.	24th September, 2019
145.	43156	Maj.	Wajahat Khan	Engrs.	24th September, 2019
146.	43170	Maj.	Zarrar Liaqat	Engrs.	24th September, 2019
147.	43195	Maj.	Muhammad Zeeshan Sikander	Engrs.	24th September, 2019
148.	43218	Maj.	Muhammad Azeem Aslam	Engrs.	24th September, 2019
149.	43226	Maj.	Muhammad Hamza Ameen	Engrs.	24th September, 2019
150.	43246	Maj.	Munawar Iqbal Khan	Engrs.	24th September, 2019
151.	43261	Maj.	Asif Razzaque	Engrs.	24th September, 2019
152.	43285	Maj.	Touqeer Ahmad	Engrs.	24th September, 2019
153.	43297	Maj.	Aamir Sohail	Engrs.	24th September, 2019
154.	43299	Maj.	Muhammad Saqlain	Engrs.	24th September, 2019
155.	43311	Maj.	Faraz Ahmad	Engrs.	24th September, 2019
156.	43333	Maj.	Arif Hussain	Engrs.	24th September, 2019
157.	43338	Maj.	Shoaib Malik	Engrs.	24th September, 2019
158.	43364	Maj.	Hassaan Tayyab	Engrs.	24th September, 2019
159.	43368	Maj.	Nauman Saleem	Engrs.	24th September, 2019
160.	43378	Maj.	Irfan Ali Khan	Engrs.	24th September, 2019
161.	42523	Maj.	Shahzad Ahmad	AD	15th April, 2019
162.	42539	Maj.	Muhammad Javaid Khan	AD	15th April, 2019
163.	42543	Maj.	Junaid Yousaf	AD	15th April, 2019
164.	42559	Maj.	Muhammad Sohail Tufail	AD	15th April, 2019
165.	42572	Maj.	Muhammad Tariq Nadeem	AD	15th April, 2019
166.	42581	Maj.	Muhammad Aleem Arshad	AD	15th April, 2019
167.	42618	Maj.	Zawar Zakria	AD	15th April, 2019
168.	42657	Maj.	Aqeel Imran Ashraf	AD	15th April, 2019

S. No.	Army No.	Rank	Name	Arm	Due Date
169.	42689	Maj.	Sajjad Ahmad	AD	15th April, 2019
170.	42704	Maj.	Sohail Babur	AD	15th April, 2019
171.	42726	Maj.	Muhammad Awais	AD	15th April, 2019
172.	42727	Maj.	Sarfraz Ahmed	AD	15th April, 2019
173.	42753	Maj.	Syed Faisal Raza	AD	15th April, 2019
174.	42780	Maj.	Ameer Hamza Awan	AD	15th April, 2019
175.	42786	Maj.	Zohaib Ali Khan	AD	15th April, 2019
176.	42798	Maj.	Ammar Hussain	AD	15th April, 2019
177.	43056	Maj.	Abdur Rauf Khalid	AD	24th September, 2019
178.	43089	Maj.	Muhammad Adnan	AD	23rd September, 2019
179.	43097	Maj.	Zeshan Sadiq	AD	24th September, 2019
180.	43121	Maj.	Umair Sultan	AD	24th September, 2019
181.	43139	Maj.	Umar Tariq	AD	23rd September, 2019
182.	43176	Maj.	Muhammad Hassaan Khan	AD	23rd September, 2019
183.	43200	Maj.	Ahsan Bilal	AD	23rd September, 2019
184.	43204	Maj.	Muhammad Ali	AD	23rd September, 2019
185.	43236	Maj.	Ghulam Nabi Bhatti	AD	23rd September, 2019
186.	43242	Maj.	Faizan Baig	AD	23rd September, 2019
187.	43245	Maj.	Muhammad Suleman	AD	23rd September, 2019
188.	43275	Maj.	Ahmad Fraz	AD	23rd September, 2019
189.	43283	Maj.	Kalim Ullah Khan	AD	23rd September, 2019
190.	43293	Maj.	Fahad Karamat	AD	23rd September, 2019
191.	43305	Maj.	Syed Waqas Tariq	AD	23rd September, 2019
192.	43313	Maj.	Raja M. Mustafa Javed	AD	23rd September, 2019
193.	43328	Maj.	Bilal Rashid	AD	23rd September, 2019
194.	43371	Maj.	Nasrullah	AD	23rd September, 2019

S. No.	Army No.	Rank	Name	Arm	Due Date
195.	42521	Maj.	Atif Asghar	Sigs.	15th April, 2019
196.	42542	Maj.	Ahmad Kamal Awan	Sigs.	15th April, 2019
197.	42600	Maj.	Akmal Hussain	Sigs.	15th April, 2019
198.	42616	Maj.	Rana Rafay Ul Huda	Sigs.	15th April, 2019
199.	42641	Maj.	Rana Ehtsham Ul Haq	Sigs.	15th April, 2019
200.	42661	Maj.	Kamran Zahid	Sigs.	15th April, 2019
201.	42672	Maj.	Ehtesham Khan	Sigs.	15th April, 2019
202.	42736	Maj.	Abdul Wahid Qamar	Sigs.	15th April, 2019
203.	42759	Maj.	Khurram Altaf	Sigs.	15th April, 2019
204.	42784	Maj.	Aamir Riaz	Sigs.	15th April, 2019
205.	43059	Maj.	Umar Malik	Sigs.	23rd September, 2019
206.	43068	Maj.	Shoaib Akhtar Shabbir	Sigs.	23rd September, 2019
207.	43084	Maj.	Muhammad Abbas Yasin	Sigs.	23rd September, 2019
208.	43085	Maj.	Zahid Raza	Sigs.	23rd September, 2019
209.	43100	Maj.	Abdur Rehman Raza Khan	Sigs.	23rd September, 2019
210.	43104	Maj.	Muhammad Imran Haider	Sigs.	23rd September, 2019
211.	43148	Maj.	Waqar Ali Ch.	Sigs.	23rd September, 2019
212.	43162	Maj.	Ata Ul Mustafa	Sigs.	23rd September, 2019
213.	43166	Maj.	Zaheer Shaukat Khan	Sigs.	23rd September, 2019
214.	43205	Maj.	Muhammad Kashif Naveed	Sigs.	23rd September, 2019
215.	43206	Maj.	Syed Asad Ullah Khan	Sigs.	23rd September, 2019
216.	43230	Maj.	Aamir Shoaib Akhtar	Sigs.	23rd September, 2019
217.	43241	Maj.	Muhammad Mujtaba Yousaf Ansari	Sigs.	23rd September, 2019
218.	43244	Maj.	Sikandar Khalid	Sigs.	23rd September, 2019
219.	43265	Maj.	Muhammad Sajjad	Sigs.	23rd September, 2019
220.	43288	Maj.	Sajid Ur Rehman	Sigs.	23rd September, 2019

S. No.	Army No.	Rank	Name	Arm	Due Date
221.	43302	Maj.	Amjad Hussain	Sigs.	23rd September, 2019
222.	43316	Maj.	Muhammad Imtiaz Zafar	Sigs.	23rd September, 2019
223.	43323	Maj.	Muhammad Bilal	Sigs.	23rd September, 2019
224.	43341	Maj.	Javed Sarfraz	Sigs.	23rd September, 2019
225.	43360	Maj.	Syed Furqan Farooq	Sigs.	23rd September, 2019
226.	43373	Maj.	Muhammad Atif Naveed	Sigs.	23rd September, 2019
227.	42515	Maj.	Muhammad Waqas Akhtar	Punjab	15th April, 2019
228.	42516	Maj.	Usman Saram	Punjab	15th April, 2019
229.	42526	Maj.	Haider Sultan	Punjab	15th April, 2019
230.	42544	Maj.	Hafiz Ur Rehman	Punjab	15th April, 2019
231.	42571	Maj.	Bilal Ahmed	Punjab	15th April, 2019
232.	42583	Maj.	Muhammad Siddique	Punjab	15th April, 2019
233.	42609	Maj.	Khalid Hussain	Punjab	15th April, 2019
234.	42612	Maj.	Haider Ali Malik	Punjab	15th April, 2019
235.	42614	Maj.	Zia Ul Islam	Punjab	15th April, 2019
236.	42617	Maj.	Fida Hussain	Punjab	15th April, 2019
237.	42624	Maj.	Muhammad Abid Mukhtar	Punjab	15th April, 2019
238.	42635	Maj.	Mir Zia Ur Rehman	Punjab	15th April, 2019
239.	42659	Maj.	Sana Ullah	Punjab	15th April, 2019
240.	42660	Maj.	Haseeb Haider	Punjab	15th April, 2019
241.	42671	Maj.	Ahsan Shafiq Kayani	Punjab	15th April, 2019
242.	42676	Maj.	Umair Ahmed Pannou	Punjab	15th April, 2019
243.	42683	Maj.	Shahid Rasul	Punjab	15th April, 2019
244.	42687	Maj.	Tahir Jabbar	Punjab	15th April, 2019
245.	42695	Maj.	Arslan Javed	Punjab	15th April, 2019
246.	42705	Maj.	Waqar Ali Baig	Punjab	15th April, 2019

S. No.	Army No.	Rank	Name	Arm	Due Date
247.	42717	Maj.	Hafiz Muhammad Ilyas Sajjad	Punjab	15th April, 2019
248.	42719	Maj.	Ali Uzair	Punjab	15th April, 2019
249.	42730	Maj.	Syed Muhammad Aslam	Punjab	15th April, 2019
250.	42731	Maj.	Muhammad Jahangir Shah	Punjab	15th April, 2019
251.	42767	Maj.	Muhammad Bahzad Rasheed	Punjab	15th April, 2019
252.	42769	Maj.	Muhammad Kashif Shahzad	Punjab	15th April, 2019
253.	42770	Maj.	Fahad Miandad	Punjab	15th April, 2019
254.	42773	Maj.	Muhammad Kashif Zaheen	Punjab	15th April, 2019
255.	42797	Maj.	Muhammad Bilal Jalip	Punjab	15th April, 2019
256.	42805	Maj.	Raja Abdul Haseeb Saqib	Punjab	15th April, 2019
257.	42814	Maj.	Shahzad Ali	Punjab	15th April, 2019
258.	42815	Maj.	Ali Faizan Khan	Punjab	15th April, 2019
259.	43049	Maj.	Umair Hassan	Punjab	24th September, 2019
260.	43058	Maj.	Raja Usman Asif	Punjab	23rd September, 2019
261.	43061	Maj.	Ali Hassan	Punjab	23rd September, 2019
262.	43082	Maj.	Asfand Zubaid Malik	Punjab	23rd September, 2019
263.	43083	Maj.	Umair Ali Raja	Punjab	24th September, 2019
264.	43095	Maj.	Muhammad Fayyaz	Punjab	24th September, 2019
265.	43120	Maj.	Syed Usman Tayyab	Punjab	23rd September, 2019
266.	43127	Maj.	Mohsin Riaz	Punjab	23rd September, 2019
267.	43191	Maj.	Luqman Arshad	Punjab	23rd September, 2019
268.	43196	Maj.	Muhammad Asim	Punjab	23rd September, 2019
269.	43197	Maj.	Ahmed Nawaz Bajwa	Punjab	23rd September, 2019
270.	43201	Maj.	Muhammad Habib Ur Rehman	Punjab	23rd September, 2019
271.	43216	Maj.	Ahmad Ali	Punjab	23rd September, 2019
272.	43229	Maj.	Hafiz Hammad Aslam	Punjab	23rd September, 2019

S. No.	Army No.	Rank	Name	Arm	Due Date
273.	43247	Maj.	Adil Bashir	Punjab	23rd September, 2019
274.	43256	Maj.	Hashim Ali Hashme	Punjab	23rd September, 2019
275.	43274	Maj.	Irfan Manzoor	Punjab	23rd September, 2019
276.	43278	Maj.	Abdul Rehman Bilal	Punjab	23rd September, 2019
277.	43291	Maj.	Atif Riaz	Punjab	23rd September, 2019
278.	43303	Maj.	Wasim Gul	Punjab	23rd September, 2019
279.	43322	Maj.	Muhammad Waseem Shakoor	Punjab	23rd September, 2019
280.	43327	Maj.	Moeed Mustafa	Punjab	23rd September, 2019
281.	43349	Maj.	Umar Farooq	Punjab	23rd September, 2019
282.	43354	Maj.	Sher Dil Khan	Punjab	23rd September, 2019
283.	43355	Maj.	Sufian Shamim	Punjab	23rd September, 2019
284.	43358	Maj.	Aziz Ahmad	Punjab	23rd September, 2019
285.	43381	Maj.	Syed Ali Haider Shah	Punjab	23rd September, 2019
286.	43386	Maj.	Hidayat Ullah Khan	Punjab	23rd September, 2019
287.	42508	Maj.	Muhammad Izhar Ahmed	Baloch	15th April, 2019
288.	42511	Maj.	Syed Muhammad Saqib Anjum	Baloch	15th April, 2019
289.	42525	Maj.	Ahsan Ali	Baloch	15th April, 2019
290.	42538	Maj.	Bilal Rashid	Baloch	15th April, 2019
291.	42551	Maj.	Nasir Khan	Baloch	15th April, 2019
292.	42567	Maj.	Furqan Haider	Baloch	15th April, 2019
293.	42599	Maj.	Irfan Akbar	Baloch	15th April, 2019
294.	42619	Maj.	Zaheer Anwar	Baloch	15th April, 2019
295.	42627	Maj.	Nouman Azfar Gondal	Baloch	15th April, 2019
296.	42630	Maj.	Nazeer Akber	Baloch	15th April, 2019
297.	42652	Maj.	Sabir Rahman	Baloch	15th April, 2019
298.	42680	Maj.	Tayyab Javed Satti	Baloch	15th April, 2019

S. No.	Army No.	Rank	Name	Arm	Due Date
299.	42690	Maj.	Yasir Arfaat Khan	Baloch	15th April, 2019
300.	42694	Maj.	Asad Ali Ahmed	Baloch	15th April, 2019
301.	42706	Maj.	Syed Ijlal Hussain Shah	Baloch	15th April, 2019
302.	42732	Maj.	Sohaib Ahsan Khan	Baloch	15th April, 2019
303.	42733	Maj.	Qaisar Ali Khan	Baloch	15th April, 2019
304.	42739	Maj.	Ghulam Murtaza	Baloch	15th April, 2019
305.	42740	Maj.	Sana Ullah Khan	Baloch	15th April, 2019
306.	42751	Maj.	Sami Ullah	Baloch	15th April, 2019
307.	42762	Maj.	Roidad Khan	Baloch	15th April, 2019
308.	42775	Maj.	Adnan	Baloch	15th April, 2019
309.	42777	Maj.	Rizwan Haider	Baloch	15th April, 2019
310.	42791	Maj.	Dawer Ahmed	Baloch	15th April, 2019
311.	42804	Maj.	Toqir Ahmad	Baloch	15th April, 2019
312.	42806	Maj.	Muhammad Yasir Rafique	Baloch	15th April, 2019
313.	43047	Maj.	Muhammad Aftab Sadiq	Baloch	24th September, 2019
314.	43050	Maj.	Atif Hameed Zafar	Baloch	24th September, 2019
315.	43051	Maj.	Hafiz Muhammad Asim Rafiq	Baloch	23rd September, 2019
316.	43071	Maj.	Asim Billah, T.Bt.	Baloch	23rd September, 2019
317.	43073	Maj.	Haroon Rashid Khan	Baloch	23rd September, 2019
318.	43103	Maj.	Sajjad Ahmed	Baloch	23rd September, 2019
319.	43116	Maj.	Abid Ali	Baloch	24th September, 2019
320.	43118	Maj.	Muhammad Fahd Mazhar	Baloch	23rd September, 2019
321.	43142	Maj.	Taimur Ahmad	Baloch	23rd September, 2019
322.	43143	Maj.	Abdul Haseeb	Baloch	24th September, 2019
323.	43146	Maj.	Adnan Mir	Baloch	23rd September, 2019
324.	43199	Maj.	Akbar Khan	Baloch	23rd September, 2019

S. No.	Army No.	Rank	Name	Arm	Due Date
325.	43225	Maj.	Bedar Bakhat	Baloch	23rd September, 2019
326.	43260	Maj.	Khurram Hayat	Baloch	23rd September, 2019
327.	43292	Maj.	Saad Us Saood	Baloch	23rd September, 2019
328.	43306	Maj.	Kamran Ali	Baloch	23rd September, 2019
329.	43317	Maj.	Atif Iqbal Khattak	Baloch	23rd September, 2019
330.	43331	Maj.	Mirza Adeel Raza	Baloch	23rd September, 2019
331.	43334	Maj.	Ahmed Ullah	Baloch	23rd September, 2019
332.	43382	Maj.	Syed Farooq Bakhtiar	Baloch	24th September, 2019
333.	43388	Maj.	Muhammad Afzal	Baloch	23rd September, 2019
334.	42531	Maj.	Sajid Iqbal	FF	15th April, 2019
335.	42532	Maj.	Arshad Ali	FF	15th April, 2019
336.	42554	Maj.	Hamid Iqbal	FF	15th April, 2019
337.	42556	Maj.	Murtaza Iqbal	FF	15th April, 2019
338.	42562	Maj.	Qaisar Moeen Orakzai	FF	15th April, 2019
339.	42574	Maj.	Muhammad Ali Malik	FF	15th April, 2019
340.	42577	Maj.	Fazli Mehmood Qureshi	FF	15th April, 2019
341.	42590	Maj.	Muhammad Waqas Cheema	FF	15th April, 2019
342.	42606	Maj.	Hamza Tahir	FF	15th April, 2019
343.	42622	Maj.	Ahmed Raza	FF	15th April, 2019
344.	42634	Maj.	Amir Zaman	FF	15th April, 2019
345.	42644	Maj.	Muhammad Waqas	FF	15th April, 2019
346.	42656	Maj.	Ihsan Ali Saddique	FF	15th April, 2019
347.	42662	Maj.	Umar Ismail Sajid Garewal	FF	15th April, 2019
348.	42703	Maj.	Yasir Nazir	FF	15th April, 2019
349.	42707	Maj.	Muhammad Shahid Jamil	FF	15th April, 2019
350.	42708	Maj.	Muhammad Aftab Khan	FF	15th April, 2019

S. No.	Army No.	Rank	Name	Arm	Due Date
351.	42718	Maj.	Hafiz Usman Zafar	FF	15th April, 2019
353.	42755	Maj.	Muhammad Imran Iqbal	FF	15th April, 2019
353.	42760	Maj.	Nadeem Saeed	FF	15th April, 2019
354.	42768	Maj.	Yasin Ahmad Abbasi	FF	15th April, 2019
355.	42781	Maj.	Rao Muhammad Yousaf Fearoze	FF	15th April, 2019
356.	42789	Maj.	Ashar Waqas	FF	15th April, 2019
357.	42795	Maj.	Tariq Ahmed Mirza	FF	15th April, 2019
358.	42796	Maj.	Sohail Arshad	FF	15th April, 2019
359.	43052	Maj.	Shahbaz Ali Khan	FF	23rd September, 2019
360.	43057	Maj.	Muneeb Usman Khattak	FF	23rd September, 2019
361.	43063	Maj.	Zeeshan Ali Khan	FF	23rd September, 2019
362.	43081	Maj.	Awais Islam	FF	23rd September, 2019
363.	43109	Maj.	Malik Yasir Fareed	FF	23rd September, 2019
364.	43132	Maj.	Najeeb Ullah Baig	FF	23rd September, 2019
365.	43149	Maj.	Sadiq Ali	FF	23rd September, 2019
366.	43152	Maj.	Saqib Iqbal	FF	23rd September, 2019
367.	43160	Maj.	Syed Shadab Hassan	FF	23rd September, 2019
368.	43178	Maj.	Ahmed Abdus Salam	FF	23rd September, 2019
369.	43179	Maj.	Jawad Liaqat Awan	FF	23rd September, 2019
370.	43194	Maj.	Umar Hamad	FF	23rd September, 2019
371.	43228	Maj.	Abdul Kareem Butt	FF	23rd September, 2019
372.	43240	Maj.	Masood Shah	FF	23rd September, 2019
373.	43248	Maj.	Aqif Iqbal	FF	23rd September, 2019
374.	43259	Maj.	Omar Salman Tirmzey	FF	23rd September, 2019
375.	43267	Maj.	Hasnain Arif Magray	FF	23rd September, 2019
376.	43281	Maj.	Waseem Akhtar	FF	23rd September, 2019

S. No.	Army No.	Rank	Name	Arm	Due Date
377.	43295	Maj.	Qaisar Shahzad	FF	23rd September, 2019
378.	43298	Maj.	Waseem Safdar	FF	23rd September, 2019
379.	43308	Maj.	Abid Ejaz	FF	23rd September, 2019
380.	43315	Maj.	Syed Muhammad Mudassir	FF	23rd September, 2019
381.	43325	Maj.	Ilyas Khattak	FF	23rd September, 2019
382.	43357	Maj.	Umair Khan	FF	23rd September, 2019
383.	43361	Maj.	Muhammad Bilal Daud	FF	23rd September, 2019
384.	43380	Maj.	Muhammad Idress Awan	FF	23rd September, 2019
385.	43387	Maj.	Raja Waqas Hassan	FF	23rd September, 2019
386.	42519	Maj.	Hammad Rauf	AK	15th April, 2019
387.	42528	Maj.	Irfan Siddique	AK	15th April, 2019
388.	42537	Maj.	Qaiser Saddique	AK	15th April, 2019
389.	42549	Maj.	Jawad Ahmad	AK	15th April, 2019
390.	42566	Maj.	Ameer Anwar	AK	15th April, 2019
391.	42568	Maj.	Khalil Ur Rahman	AK	15th April, 2019
392.	42578	Maj.	Tahir Ehsan Khattak	AK	15th April, 2019
393.	42601	Maj.	Saad Ullah Khan	AK	15th April, 2019
394.	42628	Maj.	Muhammad Asif Khan	AK	15th April, 2019
395.	42633	Maj.	Nishat Ali	AK	15th April, 2019
396.	42643	Maj.	Abdul Malik	AK	15th April, 2019
397.	42651	Maj.	Mustafa Khan	AK	15th April, 2019
398.	42666	Maj.	Imran Ali	AK	15th April, 2019
399.	42681	Maj.	Aftab Ahmad	AK	15th April, 2019
400.	42698	Maj.	Shabir Hussain Khattak	AK	15th April, 2019
401.	42716	Maj.	Syed Maisam Ali Shah	AK	15th April, 2019
402.	42722	Maj.	Nissar Hussain	AK	15th April, 2019

S. No.	Army No.	Rank	Name	Arm	Due Date
403.	42757	Maj.	Abdul Rehman Arif	AK	15th April, 2019
404.	42758	Maj.	Muhammad Farhad Anwar	AK	15th April, 2019
405.	42774	Maj.	Muhammad Imtiaz Khan	AK	15th April, 2019
406.	42779	Maj.	Waqas Bashir	AK	15th April, 2019
407.	42793	Maj.	Simon Shafique	AK	15th April, 2019
408.	42820	Maj.	Bilal Ud Din Ahmed	AK	15th April, 2019
409.	43048	Maj.	Muhammad Tahir Azhar Malik	AK	24th September, 2019
410.	43087	Maj.	Muhammad Tahir Qayyum	AK	24th September, 2019
411.	43110	Maj.	Tahir Afzal	AK	24th September, 2019
412.	43111	Maj.	Shah Taimoor Khan	AK	24th September, 2019
413.	43112	Maj.	Shah Nawaz Qayum	AK	24th September, 2019
414.	43131	Maj.	Umair Sarwar	AK	24th September, 2019
415.	43135	Maj.	Yasir Khan	AK	24th September, 2019
416.	43137	Maj.	Ali Zeshan	AK	24th September, 2019
417.	43140	Maj.	Zahid Hameed	AK	23rd September, 2019
418.	43189	Maj.	Safdar Ali	AK	24th September, 2019
419.	43192	Maj.	Naveed Ahmad	AK	24th September, 2019
420.	43211	Maj.	Irfan Ahmad	AK	24th September, 2019
421.	43214	Maj.	Zeeshan Arshad	AK	24th September, 2019
422.	43231	Maj.	Pervaiz Khan	AK	24th September, 2019
423.	43257	Maj.	Shajeeh Janjua	AK	24th September, 2019
424.	43296	Maj.	Muhammad Usman Arshad	AK	24th September, 2019
425.	43300	Maj.	Sajjad Naseem	AK	24th September, 2019
426.	43318	Maj.	Muddasar Iqbal	AK	24th September, 2019
427.	43353	Maj.	Umair Bin Zahid	AK	23rd September, 2019
428.	43372	Maj.	Muhammad Ali Waqas	AK	24th September, 2019

S. No.	Army No.	Rank	Name	Arm	Due Date
429.	43379	Maj.	Shazad Anwar	AK	24th September, 2019
430.	43383	Maj.	Hanif Khan	AK	24th September, 2019
431.	42534	Maj.	Adnan Javed	Sindh	15th April, 2019
432.	42553	Maj.	Adnan Aftab	Sindh	15th April, 2019
433.	42558	Maj.	Khalid Muhammad	Sindh	15th April, 2019
434.	42588	Maj.	Hashmat Ullah	Sindh	15th April, 2019
435.	42597	Maj.	Muhammad Umar Khan	Sindh	15th April, 2019
436.	42668	Maj.	Ali Imran	Sindh	15th April, 2019
437.	42688	Maj.	Muhammad Mehmood Ahmad	Sindh	15th April, 2019
438.	42712	Maj.	Faisal Azad	Sindh	15th April, 2019
439.	42749	Maj.	Abdul Sattar	Sindh	15th April, 2019
440.	42787	Maj.	Hasnain Azhar	Sindh	15th April, 2019
441.	42801	Maj.	Muhammad Atif	Sindh	15th April, 2019
442.	42819	Maj.	Asif Ali	Sindh	16th April, 2019
443.	43065	Maj.	Umair Aziz Bhatti	Sindh	24th September, 2019
444.	43067	Maj.	Aqeel Zahid	Sindh	24th September, 2019
445.	43102	Maj.	Zahid Abbas	Sindh	24th September, 2019
446.	43157	Maj.	Sheher Yar Khattak	Sindh	24th September, 2019
447.	43198	Maj.	Zaheer Alam	Sindh	24th September, 2019
448.	43254	Maj.	Faizan Zia	Sindh	23rd September, 2019
449.	43277	Maj.	Faisal Saleem Malik	Sindh	24th September, 2019
450.	43290	Maj.	Muhammad Tayyab	Sindh	24th September, 2019
451.	43294	Maj.	Shah Nawaz	Sindh	23rd September, 2019
452.	43319	Maj.	Muhammad Asif Rasheed	Sindh	23rd September, 2019
453.	43330	Maj.	Muhammad Shehr Yar	Sindh	23rd September, 2019
454.	43376	Maj.	Asif Khan	Sindh	24th September, 2019

S. No.	Army No.	Rank	Name	Arm	Due Date
455.	43482	Maj.	Uqbah Hadeed Malik	Sindh	23rd September, 2019
456.	42535	Maj.	Shehryar	NLI	15th April, 2019
457.	42584	Maj.	Hassam Ahmed	NLI	15th April, 2019
458.	52615	Maj.	Haris Bin Aslam	NLI	15th April, 2019
459.	42625	Maj.	Khurram Mehfooz	NLI	15th April, 2019
460.	42645	Maj.	Muhammad Hamad Ashraf	NLI	15th April, 2019
461.	42699	Maj.	Naseem Jan, T. Bt.	NLI	15th April, 2019
462.	42743	Maj.	Usman Ahmad Mirza	NLI	15th April, 2019
463.	42817	Maj.	Fakhar Ud Din Khan	NLI	15th April, 2019
464.	43055	Maj.	Muhammad Rizwan Arshad	NLI	23rd September, 2019
465.	43093	Maj.	Muhammad Sohail	NLI	23rd September, 2019
466.	43147	Maj.	Muhammad Shehzad	NLI	23rd September, 2019
467.	43185	Maj.	Farrukh Jamil	NLI	23rd September, 2019
468.	43237	Maj.	Moazzam Ali	NLI	23rd September, 2019
469.	43304	Maj.	Majid Ali	NLI	23rd September, 2019
470.	43329	Maj.	Muhammad Yahya	NLI	23rd September, 2019
471.	43369	Maj.	Mostajab Haider Saqib	NLI	23rd September, 2019
472.	42522	Maj.	Muhammad Shakeel	ASC	15th April, 2019
473.	42561	Maj.	Athar Jadoon	ASC	15th April, 2019
474.	42579	Maj.	Waqar Awan	ASC	15th April, 2019
475.	42621	Maj.	Zaid Bin Arif Randhawa	ASC	15th April, 2019
476.	42665	Maj.	Inayat Ur Rehman	ASC	15th April, 2019
477.	42684	Maj.	Umer Shahzad	ASC	15th April, 2019
478.	42701	Maj.	Faisal Jamal	ASC	15th April, 2019
479.	42720	Maj.	Syed Khizar Mustafa	ASC	15th April, 2019
480.	42750	Maj.	Sayed Firdos Ali Shah	ASC	15th April, 2019

S. No.	Army No.	Rank	Name	Arm	Due Date
481.	42772	Maj.	Tahir Kamal	ASC	15th April, 2019
482.	42809	Maj.	Sohaib Ahmed	ASC	15th April, 2019
483.	42823	Maj.	Muzamil Hussain	ASC	15th April, 2019
484.	43062	Maj.	Muhammad Wasiq Khan	ASC	23rd September, 2019
485.	43115	Maj.	Fahim Bashir	ASC	23rd September, 2019
486.	43125	Maj.	Muhammad Ali Mumtaz	ASC	23rd September, 2019
487.	43151	Maj.	Omer Abrar	ASC	23rd September, 2019
488.	43202	Maj.	Saqib Munir	ASC	23rd September, 2019
489.	43209	Maj.	Hadi Hussain	ASC	23rd September, 2019
490.	43239	Maj.	Asif Shahzad	ASC	23rd September, 2019
491.	43252	Maj.	Tufeeq Ahmed	ASC	23rd September, 2019
492.	43264	Maj.	Hayat Muhammad	ASC	23rd September, 2019
493.	43269	Maj.	Najam Ul Saqib	ASC	23rd September, 2019
494.	43309	Maj.	Asim Abbas	ASC	23rd September, 2019
495.	43314	Maj.	Adnan Ali	ASC	23rd September, 2019
496.	43320	Maj.	Muhammad Ali Tehseen	ASC	23rd September, 2019
497.	43344	Maj.	Muhammad Awais Abbasi	ASC	23rd September, 2019
498.	42552	Maj.	Qiam Ud Din	ORD	15th April, 2019
499.	42575	Maj.	Kamran Khan	ORD	15th April, 2019
500.	42587	Maj.	Syed Ali Shah	ORD	15th April, 2019
501.	42610	Maj.	Rizwan Liaqat	ORD	15th April, 2019
502.	42678	Maj.	Muhammad Imran	ORD	15th April, 2019
503.	42685	Maj.	Farrukh Aziz	ORD	15th April, 2019
504.	42761	Maj.	Shaukat Hayat	ORD	15th April, 2019
505.	42782	Maj.	Arshad Hussain	ORD	15th April, 2019
506.	42813	Maj.	Shaibzada Waqar Ahmad	ORD	15th April, 2019

S. No.	Army No.	Rank	Name	Arm	Due Date
507.	43074	Maj.	Faisal Khan	ORD	23rd September, 2019
508.	43098	Maj.	Hassan Khalid	ORD	23rd September, 2019
509.	43123	Maj.	Aitzaz Haider	ORD	23rd September, 2019
510.	43159	Maj.	Ali Sohail	ORD	23rd September, 2019
511.	43164	Maj.	Shah Faisal	ORD	23rd September, 2019
512.	43203	Maj.	Ahmad Bilal Abbasi	ORD	23rd September, 2019
513.	43220	Maj.	Tahir Jameel	ORD	23rd September, 2019
514.	43224	Maj.	Muhammad Awais Pirzada	ORD	23rd September, 2019
515.	43268	Maj.	Yasir Masoom	ORD	23rd September, 2019
516.	43271	Maj.	Raheel Ahsan	ORD	23rd September, 2019
517.	43326	Maj.	Rao Waqas Ahmed Khan	ORD	23rd September, 2019
518.	43342	Maj.	Kamran Qayyum	ORD	23rd September, 2019
519.	43350	Maj.	Muhammad Yasir	ORD	23rd September, 2019
520.	43351	Maj.	Fawad Ur Rehman	ORD	23rd September, 2019
521.	43363	Maj.	Asad Abbas Khan	ORD	23rd September, 2019
522.	42530	Maj.	Kashif Ali	CMI	15th April, 2019
523.	42540	Maj.	Arsalan Khan	CMI	15th April, 2019
524.	42564	Maj.	Saqib Razzaq	CMI	15th April, 2019
525.	42582	Maj.	Riaz Hussain	CMI	15th April, 2019
526.	42589	Maj.	Muhammad Umair Khan	CMI	15th April, 2019
527.	42594	Maj.	Muhammad Zia Ul Haq	CMI	15th April, 2019
528.	42605	Maj.	Shams Ul Abrar	CMI	15th April, 2019
529.	42631	Maj.	Faisal Mushtaq Solariya	CMI	15th April, 2019
530.	42709	Maj.	Muhammad Imran Qasim	CMI	15th April, 2019
531.	42711	Maj.	Muhammad Adnan	CMI	15th April, 2019
532.	42742	Maj.	Muhammad Khalid Amin	CMI	15th April, 2019

S. No.	Army No.	Rank	Name	Arm	Due Date
533.	42752	Maj.	Kaleem Ullah	CMI	15th April, 2019
534.	42756	Maj.	Jawad Amin	CMI	15th April, 2019
535.	42807	Maj.	Muhammad Owais Alam Khan	CMI	15th April, 2019
536.	43070	Maj.	Zeeshan Haider	CMI	23rd September, 2019
537.	43075	Maj.	Syed Deen Muhammad Shah	CMI	23rd September, 2019
538.	43086	Maj.	Tahir Abbas	CMI	23rd September, 2019
539.	43124	Maj.	Bilal Ahmad Khan	CMI	23rd September, 2019
540.	43129	Maj.	Muhammad Rafique	CMI	23rd September, 2019
541.	43141	Maj.	Muhammad Idrees Durani	CMI	23rd September, 2019
542.	43155	Maj.	Atif Saeed Sakhi	CMI	23rd September, 2019
543.	43165	Maj.	Muhammad Naeem	CMI	23rd September, 2019
544.	43175	Maj.	Syed Ahmad Ullah	CMI	23rd September, 2019
545.	43221	Maj.	Muhammad Yousif	CMI	23rd September, 2019
546.	43235	Maj.	Aamir Sultan	CMI	23rd September, 2019
547.	43250	Maj.	Javed Rasool	CMI	23rd September, 2019
548.	43258	Maj.	Waqar Ahmed	CMI	23rd September, 2019
549.	43286	Maj.	Azmat Ullah	CMI	23rd September, 2019
550.	43289	Maj.	Farrukh Shahzad Bhatti	CMI	23rd September, 2019
551.	43343	Maj.	Muhammad Talha Ansari	CMI	23rd September, 2019
552.	43345	Maj.	Sharafat Ali	CMI	23rd September, 2019
553.	43365	Maj.	Ibne Amin Afridi	CMI	23rd September, 2019
554.	42541	Maj.	Rizwan Ahmed	ICTO	15th April, 2019
555.	42620	Maj.	Shorahbeel Bin Zahur	ICTO	15th April, 2019
556.	42626	Maj.	Imran Khan	ICTO	15th April, 2019
557.	42723	Maj.	Tariq Hanif	ICTO	15th April, 2019
558.	42790	Maj.	Kalim Ullah	ICTO	15th April, 2019

S. No.	Army No.	Rank	Name	Arm	Due Date
559.	43077	Maj.	Muhammad Zeeshan Kahoot	ICTO	23rd September, 2019
560.	43352	Maj.	Mohsin Iqbal	ICTO	24th September, 2019
561.	42527	Maj.	Adnan Asghar	Avn.	15th April, 2019
562.	42533	Maj.	Akhtar Ayub Khan	Avn.	15th April, 2019
563.	42563	Maj.	Waqar Khan	Avn.	15th April, 2019
564.	42598	Maj.	Hamad Ur Rehman	Avn.	15th April, 2019
565.	42603	Maj.	Muhammad Aftab Qamar	Avn.	15th April, 2019
566.	42613	Maj.	Basalat Ahmad Farooqui	Avn.	15th April, 2019
567.	42623	Maj.	Abdul Salam	Avn.	15th April, 2019
568.	42648	Maj.	Syed Tashkeel Haider	Avn.	15th April, 2019
569.	42677	Maj.	Muhammad Zaman Zeb	Avn.	15th April, 2019
570.	42682	Maj.	Amjad Nawaz	Avn.	15th April, 2019
571.	42686	Maj.	Abid Rafique	Avn.	15th April, 2019
572.	42692	Maj.	Adil Qayyum	Avn.	15th April, 2019
573.	42729	Maj.	Zubair Khan	Avn.	15th April, 2019
574.	42744	Maj.	Muhammad Mohsin Zaman	Avn.	15th April, 2019
575.	42745	Maj.	Muhammad Saad Nomani	Avn.	15th April, 2019
576.	42747	Maj.	Usama Munir	Avn.	15th April, 2019
577.	42783	Maj.	Hafiz Ateeq Ur Rehman	Avn.	15th April, 2019
578.	42792	Maj.	Irtaza Ali Hamadani	Avn.	15th April, 2019
579.	42810	Maj.	Muhammad Irfan Bercha	Avn.	15th April, 2019
580.	42812	Maj.	Abdul Waqas Khattak	Avn.	15th April, 2019
581.	42821	Maj.	Zahoor Ahmed	Avn.	15th April, 2019
582.	43053	Maj.	Shahbaz Siddique	Avn.	24th September, 2019
583.	43066	Maj.	Hassan Khalid	Avn.	23rd September, 2019
584.	43088	Maj.	Muhammad Asad Ul Alam	Avn.	23rd September, 2019

S. No.	Army No.	Rank	Name	Arm	Due Date
585.	43091	Maj.	Syed Akmal Shah	Avn.	24th September, 2019
586.	43094	Maj.	Khoda Bakhash	Avn.	23rd September, 2019
587.	43107	Maj.	Syed Omer Waqas	Avn.	24th September, 2019
588.	43117	Maj.	Hannad Ehsan Abbasi	Avn.	24th September, 2019
589.	43130	Maj.	Omer Sultan	Avn.	23rd September, 2019
590.	43136	Maj.	Muhammad Hashim Khan	Avn.	24th September, 2019
591.	43138	Maj.	Fazal Muqeem	Avn.	24th September, 2019
592.	43145	Maj.	Nouman Sardar	Avn.	24th September, 2019
593.	43168	Maj.	Hammad Bashir	Avn.	24th September, 2019
594.	43169	Maj.	Jawad Malik	Avn.	23rd September, 2019
595.	43171	Maj.	Ansar Jamshed	Avn.	24th September, 2019
596.	43172	Maj.	Atif Yalmaz	Avn.	24th September, 2019
597.	43180	Maj.	Muhammad Qasim Raja	Avn.	23rd September, 2019
598.	43182	Maj.	Waqas Haider Lodhi	Avn.	24th September, 2019
599.	43184	Maj.	Junaid Ahmad Khan	Avn.	23rd September, 2019
600.	43187	Maj.	Zeeshan Mahmood Haider	Avn.	24th September, 2019
601.	43188	Maj.	Arslan Khalid	Avn.	23rd September, 2019
602.	43212	Maj.	Aamir Sharif	Avn.	24th September, 2019
603.	43217	Maj.	Faisal Imran	Avn.	23rd September, 2019
604.	43227	Maj.	Adnan Hanif	Avn.	24th September, 2019
605.	43233	Maj.	Jahan Khan	Avn.	23rd September, 2019
606.	43253	Maj.	Zia Ur Rehman	Avn.	24th September, 2019
607.	43272	Maj.	Muhammad Omer Javed	Avn.	24th September, 2019
608.	43280	Maj.	Muhammad Asif Shekh	Avn.	23rd September, 2019
609.	43282	Maj.	Waqas Butt	Avn.	23rd September, 2019

S. No.	Army No.	Rank	Name	Arm	Due Date
610.	43287	Maj.	Syed Yasir Hassan Raza	Avn.	24th September, 2019
611.	43307	Maj.	Muhammad Owais Noor	Avn.	24th September, 2019
612.	43321	Maj.	Rashid Minhas	Avn.	23rd September, 2019
613.	43339	Maj.	Jamal Ahmed	Avn.	23rd September, 2019
614.	43340	Maj.	Usman Ahmed Khan Nagra	Avn.	23rd September, 2019
615.	43356	Maj.	Muhammad Zohaib Qais	Avn.	23rd September, 2019

[No. 3/3/D-2(A-II)/2020].

IKRAM UL HAQ, Lt. Gen. (Retd.),
Secretary.

The Gazette of Pakistan

PUBLISHED BY AUTHORITY

KARACHI, WEDNESDAY, JULY 22, 2020

PART III

Notifications issued by the High Courts, the Federal Public Service Commission and by the Attached and Subordinate Offices of the Government of Pakistan.

FEDERAL PUBLIC SERVICE COMMISSION

Islamabad, the 20th April, 2020

No. F. 15-342/2020-HR-I.—In pursuance of Establishment Division's Notification No. F. 42/02/2019-E-1, dated 15th April, 2020, Capt. (R) Maroof Afzal has assumed the charge of the office of Member, FPSC with effect from 20th April, 2020. The Chairman, FPSC has Administered the Oath of the Member on 20th April, 2020 under Section 4-A of the Federal Public Service Commission Ordinance, 1977.

UNRAR HAYAT GONDAL,
Director (HR).

Islamabad, the 15th April, 2020

No. 19-95/85-Estt. Vol-II.—In supersession of this office notification of even number dated 20th March, 2020, the 16 days' leave on full pay (LFP) with effect from 24th March, 2020 to 8th April, 2020 granted to Mr. Rasool Khan, Private Secretary (BS-17), FPSC has been cancelled.

No. F. 18-230/80-Estt. (Vol-III).—Consequent upon approval of the Competent Authority, Mr. Shujaat Ali Khan, Assistant Director (BS-17), FPSC is granted encashment of 365 days Leave Preparatory to Retirement with effect from 3rd September, 2019 to 2nd September, 2020, as admissible under Rule 18-A(2A) of Revised Leave Rules, 1980.

On attaining the age of superannuation, he shall stand retired from Government Service, with effect from 3rd September, 2020.

MUHAMMAD ASGHAR,
Assistant Director (HR).

FEDERAL GOVERNMENT POLYCLINIC

(Postgraduate Medical Institute)

Islamabad, the 27th March, 2020

No. FGPC.1/1830/2020.—On the recommendations of Departmental Promotion Committee (DPC) in its meeting held on 18th March, 2020 and with the approval of Chairperson *i.e.* Executive Director, FGPC and members of the committee, Mr. Bilal Ilyas, Assistant Security Officer (BS-16) (on acting charge basis) has been promoted to the post of Assistant Security Officer (BS-16) on regular basis with effect from 18th March, 2020. He has relinquished the charge of the post of Assistant Security Officer (BS-16) (on acting charge basis) and assumed the charge of the post of Assistant Security Officer (BS-16) (on regular basis) in Federal Government Polyclinic, Islamabad with effect from 18th March, 2020 (charge relinquishment / assumption reports are attached).

DR. NAILA ISRAR,
Executive Director.

Islamabad, the 22nd March, 2020

No. FGPC.1/2033/2020.—Ms. Batool Akhtar, Head Nurse (BS-17) of Federal Government Polyclinic, Islamabad was granted *ex-Pakistan* leave on full pay with effect from 25th February, 2020 to 16th March, 2020. Now she has resumed duty on 11th March, 2020, her balance leave from 12th March, 2020 to 16th March, 2020 already granted is hereby cancelled.

Islamabad, the 27th March, 2020

No. FGPC.1/2033/2020.—Ms. Sumeria Saleem, Charge Nurse (BS-17) of Federal Government Polyclinic, Islamabad was granted 30 *ex-Pakistan* leave on full pay

with effect from 14th February, 2020 to 14th March, 2020. Now she has resumed duty on 15th March, 2020 after availing leave.

No. FGPC.1/4777/2008.—Consequent upon the selection of Ms. Rafia Bibi D/o. Ghulam Ali, Charge Nurse (BS-16) of this Hospital for appointment to the post of Charge Nurse (BS-16) in Specialized Health Care and Medical Education Department Government of Punjab, Lahore and for further posting at District Headquarter Hospital, Hafizabad *vide* order No. SO (NC-II)786/R/ PPSC/ 2019 dated 9th March, 2020, she is relieved off her duty from FGPC with effect from 16th March, 2020 (AN). She is directed to report for duty in District Headquarter Hospital, Hafizabad. She is directed to report for duty in District Headquarter Hospital, Hafizabad. She has been struck off the strength of this Hospital and will be paid her dues, on production of no demand Certificate from this Hospital and Estate Office, Islamabad.

No. FGPC.1/2033/2020.—Ms. Kausar Arif, Charge Nurse (BS-16) of Federal Government Polyclinic, Islamabad was granted leave on full pay on medical grounds with effect from 3rd March, 2020 to 20th March, 2020. Now she has resumed duty on 21st March, 2020, after availing leave.

No. FGPC.1/2033/2020.—Ms. Saima Sam, Charge Nurse (BS-16) of Federal Government Polyclinic, Islamabad was granted leave on full pay on medical grounds with effect from 24th February, 2020 to 4th March, 2020 (10 days). Now she has resumed duty on 5th March, 2020, after availing leave.

No. FGPC.1/2033/2020.—Ms. Tanzeela Bibi, Charge Nurse (BS-16) of Federal Government Polyclinic, Islamabad was granted leave on full pay with effect from 11th March, 2020 to 20th March, 2020. Now she has resumed duty on 21st March, 2020, after availing leave. Posted in Surgical ICU for duty.

No. FGPC.1/2033/2020.—Ms. Nadia Begum, Charge Nurse (BS-16) of Federal Government Polyclinic, Islamabad was granted maternity leave with effect from 9th December, 2019 to 7th March, 2020 (90 days) including Sunday holiday falling on 8th March, 2020. Now she has resumed her duty on 9th March, 2020, after availing leave.

DR. FAROOQ AKHTAR,
Deputy Executive Director.

GENERAL HEADQUARTERS, FGEI (C/G)
DIRECTORATE

(IGT & E's Branch)

Rawalpindi, the 11th March, 2020

No. 04/PF-1154/89-FGEI(CA).—Dr. Muhammad Akbar, Associate Professor of Physics (BPS-19) FG Sir Syed College, Rawalpindi Cantt. is hereby granted 91 days leave on full average pay (FAP) with effect from 2nd March, 2020 to 31st May, 2020 on account of private affairs.

On expiry of above leave, he is expected to resume duty at Rawalpindi.

Rawalpindi, the 12th March, 2020

No. 04/PF-153/07-FGEI(CA).—Syeda Hina Batool Zaidi, Lecturer in Psychology (BPS-17), FG Degree College for Women, Kharian Cantt. is hereby granted 14 days Extra Ordinary Leave (without pay) with effect from 13th February, 2020 to 26th February, 2020.

On expiry of above leave, she was expected to join her duty at Kharian.

No. 04/PF-2396/19-FGEIs(CA).—Mrs. Erum Nosheen, Assistant Professor (BPS-18), FG Postgraduate College, for Women, Kashmir Road, Rawalpindi Cantt. is granted maternity leave (Pre-confinement) for 45 days with effect from 11th March, 2020 to 24th April, 2020.

On expiry of above leave, she is expected to proceed on further maternity leave (Post-confinement).

No. 04/PF-2132/12-FGEI(CA).—Mrs. Maryam Shahab, Lecturer in Mathematics (BPS-17), FG Postgraduate College for Women, Kashmir Road, Rawalpindi Cantt. is granted maternity leave (Pre-confinement) for 45 days with effect from 13th February, 2020 to 28th March, 2020.

On expiry of above leave, she is expected to proceed on further maternity leave (Post-confinement).

Rawalpindi, the 13th March, 2020

No. 04/PF-2303/15-FGEI(CA).—Consequent upon his selection as Assistant Professor of Islamic Studies (BPS-18) through FPSC made *vide* this Dte. Letter No. 0409/AP-19-FGEI (CA) dated 31st October, 2019. Hafiz Muhammad Abdullah Ghazi, Lecturer in Islamic Studies (BPS-17) FG Sir Syed College, Rawalpindi Cantt. has assumed the charge of the post of Assistant Professor (BPS-18) in same College on 1st November, 2019 (FN).

He will be on probation for a period of one year with effect from 1st November, 2019.

Rawalpindi, the 16th March, 2020

No. 04/PF-2141/12-FGEI(CA).—Following amendments are hereby made in this Dte. letter no of even date 23rd October, 2019.

For: Mrs. Erum Afzal, Lecturer in English (BPS-17), FG Postgraduate College for Women, Kashmir Road, Rawalpindi Cantt. is hereby granted 30 days leave.

Read: Mrs. Erum Afzal, Lecturer in English (BPS-17), FG Postgraduate College for Women, Kashmir Road, Rawalpindi Cantt. is hereby granted 19 days leave.

Rawalpindi, the 18th March, 2020

No. 04/PF-2128/12-FGEI(CA).—Mrs. Sophia Abbasi, Lecturer in English (BPS-17), FG Postgraduate College for Women, Wah Cantt. is hereby granted 10 days leave with effect from 24th February, 2020 to 4th March, 2020 on half average pay.

On expiry of above leave, she was expected to join her duty at Wah.

No. 200/10-FGEI (CA).—Consequent upon her transfer from FG Inter College, Jhelum Cantt. to FG Quaid-e-Azam Degree, Chaklala Cantt. in respect of Mrs. Nazia Malik, Lecturer in Economics (BPS-17) made *vide* this Directorate's Letter No. 0409/3/77-FGEI (CA) dated 26th March, 2019 has relinquished the charge of the post of Lecturer in former college on 2nd August, 2019 (AN) and assumed the charge of same post in later College on 5th August, 2019 (FN) being holidays.

No. 04/PF-2167/12-FGEI(CA).—Mrs. Sumera Khan, Lecturer in History (BPS-17), FG Degree College for Women, Kohat Cantt. is hereby granted 20 days leave with effect from 27th February, 2020 to 13th March, 2020 on medical grounds.

On expiry of above leave, she was expected to join her duty at Kohat.

No. 04/PF-1886/09-FGEI(CA).—Following amendment in this Directorate's Notification No. 04/PF-1886/09-FGEIs (CA) dated 13th February, 2019 at Para-1 is hereby made :-

For :	Consequent upon his promotion from Lecturer (BPS-17) to Assistant Professor (BPS-18) made <i>vide</i> this Directorate's Letter No. 0409/3/77-FGEI (CA) dated 26th December, 2018, Mr. Ikram Ullah, FG Degree College, Attock Cantt. has assumed the charge of the post of Assistant Professor (BPS-18) in the same College on 27th November, 2018 (FN).
Read :	Consequent upon his promotion from Lecturer (BPS-17) to Assistant Professor (BPS-18) made <i>vide</i> this Directorate's Letter No. 0409/3/77-FGEI (CA) dated 26th December, 2018, Mr. Ikram Ullah, FG Degree College, Attock Cantt. has assumed the charge of the post of Assistant Professor (BPS-18) in the same College on 27th December, 2018 (FN).

No. 04/PF-1931/10-FGEI(CA).—Following amendment in this Directorate's Notification No. 04/PF-1931/10-FGEIs (CA) dated 13th February, 2019 at Para-1 is hereby made :-

For :	Consequent upon his promotion from Lecturer (BPS-17) to Assistant Professor (BPS-18) made <i>vide</i> this Directorate's Letter No. 0409/3/77-FGEI (CA) dated 26th December, 2018, Mr. Shafqat Hussain, FG Degree College, Attock Cantt. has assumed the charge of the post of Assistant Professor (BPS-18) in the same College on 27th November, 2018 (FN).
Read :	Consequent upon his promotion from Lecturer (BPS-17) to Assistant Professor (BPS-18) made <i>vide</i> this Directorate's Letter No. 0409/3/77-FGEI (CA) dated 26th December, 2018, Mr. Shafqat Hussain, FG Degree College, Attock Cantt. has assumed the charge of the post of Assistant Professor (BPS-18) in the same College on 27th December, 2018 (FN).

Rawalpindi, the 19th March, 2020

No. 04/PF-2260/15-FGEI(CA).—Consequent upon her repatriation to parent department *i.e.* Federal Dte. of Education, Islamabad [Islamabad Model College for Girls (PG) G-10/4, Islamabad], working on deputation at FG Girls Degree College, Nowshera Cantt. (under FGEIs C/G Directorate, Sir Syed Road, Rawalpindi) Mrs. Zuha Ahmed Cheema, Lecturer in Computer Science (BPS-17) has relieved of duty on 24th February, 2020 (AN).

No. 04/PF-6-Gen-2020-FGEI (CA).—Consequent upon his selection as Lecturer in Mathematics (BPS-17) through FPSC made *vide* this Dte. Letter No. 0409/Lec(M)-20- FGEI (CPM) dated 22nd January, 2020. Raja Aqib Shamim, FG Inter College, Kotli (AJK) has assumed the charge of the post of Lecturer (BPS-17) on 28th January, 2020 (FN).
2. He will be on probation for a period of one year with effect from 28th January, 2020.

FASIH ULLAH, *Lt Col,*
For Director General.

Rawalpindi, the 11th March, 2020

No. 04/PF-3064/77-FGEI(SA).—Mrs. Shamim Akhtar, TGT, FG Public School (Girls) No. 4 Lahore Cantt. is hereby granted 60 days leave as EOL without pay with effect from 29th November, 2019 to 27th January, 2020 on medical grounds.

No. 04/PF-210/77-FGEI (PS).—Following amendment is hereby made in this Dte. notification of even number dated 11th February, 2020 in respect of Mrs. Shabnum Basir, SST, regarding name of institution :-

For: FG Public School (Girls) Lalazar Rawalpindi Cantt.

Read: FG Public School (Girls) 2nd Shift Mehfooz Road, Rawalpindi Cantt.

Rawalpindi, the 12th March, 2020

No. 04/PF-928/77-FGEI (SA).—Mrs. Salma Zia, TGT, FG Junior Public School Karachi Cantt.. is hereby granted 12 days leave on full pay with effect from 24th February, 2020 to 6th March, 2020 for Private affairs.

No. 04/PF-1912/77-FGEI (SA).—Mrs. Afshan Naz, TGT, FG Public School (Girls) Bahawalpur Cantt.. is hereby granted 16 days leave on full pay with effect from 17th February, 2020 to 3rd March, 2020 for Private affairs.

No. 04/PF-1461/77-FGEI (SA).—Ms. Nighat Yasmeen, SST, FG Public School (Girls) Kharian Cantt.. is hereby granted 28 days leave on full pay with effect from 7th February, 2020 to 5th March, 2020 on medical grounds.

No. 04/PF-3725/77-FGEI (SA).—Mrs. Sajida Barkat, TGT, FG Sir Syed Junior Public School (Girls) Rawalpindi Cantt.. is hereby granted 19 days leave on full pay with effect from 3rd February, 2020 to 21st February, 2020 for Private affairs.

No. 04/PF-1232/77-FGEI (SA).—Mrs. Nazima Shaheen, TGT, FG Public School No. 1 (Girls) Wah Cantt. is hereby granted 78 days leave on half average pay with effect from 7th October, 2019 to 23rd December, 2019 on medical grounds.

No. 04/PF-136/77-FGEI (SA).—Mrs. Razia Sardar, TGT, FG Public School New Cantt. Sargodha is hereby granted 39 days Post-confinement maternity leave on full pay with effect from 3rd October, 2019 to 10th November, 2019.

No. 04/PF-3050/77-FGEI (SA).—Mrs. Saima Nawaz, TGT, FG SMHS (NH) Public School (Girls) Multan Cantt. is hereby granted 122 days ex-Pakistan leave as under and this Dte. has no objection for proceeding her abroad (Australia) for Private visit during this period, subject to the condition that no foreign exchange will be involved on the part of Government of Pakistan on any account:-

- a. 44 days ex-Pakistan leave on full pay with effect from 15th April, 2020 to 28th May, 2020.
- b. 78 days ex-Pakistan leave as EOL without pay with effect from 29th May, 2020 to 14th August, 2020.

2. No further extension will be granted after expiry of ex-Pakistan leave.

No. 04/PF-782/77-FGEI (SA).—Ms. Shabana Naz, TGT, FG Junior Public School Karachi Cantt. is hereby granted 12 days leave on full pay with effect from 9th December, 2020 to 20th December, 2020 for Private affairs.

Rawalpindi, the 13th March, 2020

No. 04/PF-2221/77-FGEI (SA).—Having exercised the option not to avail LPR on attaining the age of superannuation *i.e.* 60 years on 31st December, 2020, Mrs. Shamim Nawaz, Principal, FG Public School No. 2 (Girls) Hyderabad Cantt. is hereby granted 365 days Encashment of LPR with effect from 1st January, 2020 to 31st December, 2020 in accordance with Finance Division's O.M. No. F. 1(7)R-4/2004 dated 29th August, 2012.

Certified that 491 days leave on full pay stands at her credit as verified by PAO.

She will stand retired from Government Service and her name will be struck off the strength of said School with effect from 31st December, 2020 (AN).

No. 04/PF-711/77-FGEI(SA).—Mrs. Saira Manzoor, SST, FG Public School (Girls) Daryabad Rawalpindi is hereby granted 45 days Pre-confinement maternity leave on full pay with effect from 13th February, 2020 to 28th March, 2020.

On expiry of above leave, she will proceed on Post-confinement maternity leave.

No. 04/PF-3463/77-FGEI(SA).—Mrs. Samra Kiran, TGT, FG Chilton Public Middle School Quetta Cantt. is hereby granted 45 days Pre-confinement maternity leave on full pay with effect from 2nd March, 2020 to 16th April, 2020.

On expiry of above leave, she will proceed on Post-confinement maternity leave.

No. 04/PF-2520/77-FGEI(SA).—Mrs. Farheen Zaidi, SST, FG Model Public School (Girls) Sarwar Road Lahore is hereby granted 42 days Post-confinement maternity leave on full pay with effect from 16th January, 2020 to 26th February, 2020.

No. 04/PF-483/77-FGEI(SA).—This Dte. letter of even number dated 6th December, 2019 in respect of Mrs. Shazia Naureen, TGT, FG Public School (Girls) 2nd Shift Abid Majeed Road Rawalpindi Cantt. may be treated as cancelled.

No. 04/PF-973/77-FGEI(SA).—Mrs. Asma Noreen, SST, FG Public Middle School Mazhar Lines Lahore Cantt. is hereby granted 26 days leave on full pay with effect from 16th March, 2020 to 10th April, 2020 on private affairs.

On expiry of above leave, she is expected to resume her duty in the same School at Lahore Cantt.

No. 04/PF-352/77-FGEI(PS).—Mrs. Shamim Akhtar, TGT, FG Public School No. 4 (Girls) Lahore is hereby granted 57 days leave on Half Average Pay with effect from 2nd October, 2019 to 27th November, 2019 on medical grounds.

Rawalpindi, the 16th March, 2020

No. 04/PF-1732/77-FGEI(SA).—Mrs. Farzana, SST, FG Public School (Girls) Kashmir Road Rawalpindi is hereby granted 30 days leave on full pay with effect from 6th January, 2020 to 4th February, 2020 on medical grounds.

No. 04/PF-1873/77-FGEI (SA).—Having exercised the option not to avail LPR on attaining the age of superannuation *i.e.* 60 years on 6th September, 2020, Mrs. Robina Nasreen, TGT, FG Public School No. 3 (Girls) Wah Cantt. is hereby granted 256 days Encashment of LPR with effect from 26th December 2019 to 6th September, 2020 in accordance with Finance Division's O.M. No. F. 1(7)R-4/2004 dated 29th August, 2012.

- i. Certified that 256 days leave on full pay stands at her credit as verified by PAO.
- ii. She will stand retired from Government Service and her name will be struck off the strength of said School with effect from 6th September, 2020 (AN).

No. 04/PF-3463/77-FGEI(SA).—Mrs. Saima Naheed, TGT, FG Public School No. 2(Girls) Wah Cantt. is hereby granted 45 days Pre-confinement maternity leave on full pay with effect from 7th January, 2020 to 20th February, 2020.

On expiry of above leave, she will proceed on Post-confinement maternity leave.

No. 04/PF-45/77-FGEI (M).—On attaining the age of superannuation *i.e.* 60 years Mr. Abdul Ghaffar, Principal (BPS-18), FG Public School. No. 2 (Boys) Chaklala Rawalpindi, is hereby granted 365 days Encashment in lieu of LPR with effect from 8th March, 2020 to 7th March, 2021 in accordance with Finance Division O.M. No. F. 1(7)R-4/2004 dated 29th August, 2012.

Certified that 589 days leave on full pay stands at his credit.

He will be retired from Government Service and his name will be struck off the strength of School with effect from 7th March, 2021 (AN).

No. 04/PF-662/77-FGEI(PS).—Mrs. Asma Faheem, SST, FG Sir Syed Public School (Girls) Rawalpindi is hereby granted 18 days leave on full pay with effect from 29th January, 2020 to 15th February, 2020 on medical grounds.

Rawalpindi, the 17th March, 2020

No. 04/PF-210/77-FGEI(PS).—Following amendments is hereby made in this Dte. notification of even number dated 11th February, 2020 in respect of Mrs. Shabnum Bashir, SST, regarding name of Institution..

For: FG Public School (Girls) Lalazar Rawalpindi, Cantt.

Read: FG Public School (2nd Shift) Mehfooz Road Rawalpindi, Cantt.

This Dte. letter of even number dated 11th March, 2020 may be treated as cancelled.

No. 04/PF-253/77-FGEI (M).—On attaining the age of 60 years Mr. Bilal Ahmed Aftab, SST, FG Sir Syed Public School (Boys), Rawalpindi, is hereby granted 243 days Encashment in lieu of LPR with effect from 22nd September, 2019 to 21st May, 2020 in accordance with Finance Division OM No. F .1(7)R-4/2004 dated 29th August, 2012.

Certified that 243 days leave on full pay stands at his credit.

3. He will be retired from Government Service and his name will be struck off the strength of School with effect from 21st May, 2020 (AN).

No. 04/PF-12/77-FGEI (M).—On completion of 60 years *i.e.* the age of superannuation Mr. Rashid Ahmad Dogar, Principal, FG Public School No. 2 (Boys) 2nd Shift Multan Cantt. is hereby granted 332 days Encashment in lieu of LPR with effect from 3rd April, 2020 to 28th February, 2021 in accordance with Finance Division OM No. F. 1(7)R-4/2004 dated 29th August, 2012.

Certified that 332 days leave on full pay stands at his credit.

He will be retired from Government Service and his name will be struck off the strength of School with effect from 28th February, 2021 (AN).

No. 04/PF-21/77-FGEI(M).—Following amendment is hereby made in this Dte. notification of even number dated 14th June, 2019 in respect of Mr. Muhammad Idrees, Durani, Principal, FG Junior Public School, No. 5 (2nd Shift) Wah Cantt as under :-

For: 45 days from 17th June, 2019 to 31st July, 2019 on private affairs.

Read: 30 days from 17th June, 2019 to 16th July, 2019 on private affairs.

Rawalpindi, the 18th March, 2020

No. 04/PF-4270/77-FGEI (SA).—Mrs. Samina Kausar, PTI, FG Public School New Cantt. Sargodha is hereby granted 45 days Post-confinement maternity leave on full pay with effect from 26th November, 2019 to 9th January, 2020.

No. 04/PF-927/77-FGEI(SA).—Mrs. Farrukh Shamim, TGT, FG Public School (Girls) Lalazar Rawalpindi Cantt. is hereby granted 45 days Post-confinement maternity leave on full pay with effect from 11th February, 2020 to 26th March, 2020.

On expiry of above leave, she is expected to resume her duty in the same school at Rawalpindi Cantt.

No. 04/PF-655/77-FGEI (SA).—Having exercised the option not to avail LPR on attaining the age of superannuation *i.e.* 60 years on 10th August, 2021, Mrs. Tahira Tabassum, SST, FG PMS (G) Attock is hereby granted 365 days Encashment of LPR with effect from 12th August, 2020 to 10th August, 2021 in accordance with Finance Division's O.M. No. F. 1(7)R-4/2004 dated 29th August, 2012.

Certified that 657 days leave on full pay is stands at her credit as verified by PAO.

She will stand retired from Government Service and her name will be struck off the strength of said school with effect from 10th August, 2021 (AN).

No. 04/PF-791/77-FGEI(SA).—Mrs. Iram Majid, SST, FG Public School No. 1 (Boys) Wah Cantt. is hereby granted 30 days leave on full pay with effect from 2nd March, 2020 to 31st March, 2020 on private affairs.

On expiry of above leave, she is expected to resume her duty in the same school at Wah Cantt.

No. 04/PF-942/77-FGEI(SA).—Mrs. Sumra Gulzar, SST, FG Sir Syed Public School (Girls) 2nd Shift Rawalpindi Cantt. is hereby granted 45 days Post-confinement maternity leave on full pay with effect from 30th January 2020 to 14th March, 2020.

On expiry of above leave, she is expected to resume her duty in the same school at Rawalpindi Cantt.

Rawalpindi, the 19th March, 2020

No. 04/PF-156/77-FGEI (SA).—Having exercised the option not to avail LPR on attaining the age of superannuation *i.e.* 60 years on 21st November, 2020, Mrs. Nudrat Yasmeen, SST, FG SMHS (NH) PS (G) Multan is hereby granted 88 days Encashment of LPR with effect from 26th August, 2020 to 21st November, 2020 in accordance with Finance Division's O.M. No. F. 1(7)R-4/2004 dated 29th August, 2012.

Certified that 88 days leave on full pay is stands at her credit as verified by PAO.

She will stand retired from Government Service and her name will be struck off the strength of said school with effect from 21st November, 2020 (AN).

No. 04/PF-262/77-FGEI(SA).—Mrs. Noureen Anwar, TGT, FG Public School Taxila Cantt. is hereby granted 45 days Pre-confinement maternity leave on full pay with effect from 29th February, 2020 to 13th April, 2020.

On expiry of above leave, she will proceed on Post-confinement maternity leave.

No. 04/PF-201/77-FGEI (SA).—Having exercised the option not to avail LPR on attaining the age of superannuation *i.e.* 60 years on 2nd December, 2020, Mrs. Maqbool Begum, TGT, FG Public School (Girls) Khyber Road, Peshawar Cantt. is hereby granted Encashment in lieu of LPR for 222 days with effect from 25th April, 2020 to 2nd December, 2020 in accordance with Finance Division's O.M. No. F. 1(7)R-4/2004 dated 29th August, 2012.

Certified that 222 days leave on full pay is due at her credit verified by PAO.

She will stand retired from Government Service and her name will be struck off the strength of said school with effect from 2nd December, 2020 (AN).

No. 04/PF-177/77-FGEI(SA).—Mrs. Sumaira Sajid, TGT, FG Fazaia Public School 2nd Shift Nur Khan is hereby granted 45 days Post-confinement maternity leave on full pay with effect from 21st December, 2019 to 3rd February, 2020.

No. 04/PF-801/77-FGEI(SA).—Ms. Tayyaba Rasool, Librarian, FG Public School No. 1 (Girls) RA Bazar Lahore is hereby granted 26 days leave on Half Average pay with effect from 2nd March, 2020 to 27th March, 2020 for Private Affairs.

No. 04/PF-488/77-FGEI(SA).—Mrs. Rafia Abdul Karim, VP, FG Fazaia Public School 2nd Shift JC Nur Khan is hereby granted 45 days Post-confinement maternity leave on full pay with effect from 21st February, 2020 to 5th April, 2020.

On expiry of above leave, she will proceed on Post-confinement maternity leave.

No. 04/PF-877/77-FGEI(PS).—Ms. Noureen Waqar, SST, FG Sir Syed Public School (Girls) Rawalpindi is hereby granted 8 days leave on full pay with effect from 19th February, 2020 to 26th February, 2020 on Private Affairs.

Rawalpindi, the 20th March, 2020

No. 04/PF-2247/77-FGEI (SA).—Having exercised the option not to avail LPR on attaining the age of superannuation *i.e.* 60 years on 18th November, 2020, Mrs. Shireen Zahoor, TGT, FG Public School, Hyderabad Cantt. is hereby granted 181 days Encashment of LPR with effect from 22nd May, 2020 to 18th November, 2020 in accordance with Finance Division's O.M. No. F. 1(7)R-4/2004 dated 29th August, 2012.

Certified that 181 days leave on full pay is stands at her credit as verified by PAO.

She will stand retired from Government Service and her name will be struck off the strength of said school with effect from 18th November, 2020 (AN).

No. 04/PF-3887/77-FGEI (SA).—Mrs. Rubina Naz, TGT FG Public School (Girls) Attock is hereby granted 35 days leave on medical grounds.

- a. 25 days leave on full pay with effect from 21st December, 2019 to 14th January, 2020.
- b. 10 days leave on EOL without pay with effect from 15th January, 2020 to 24th January, 2020.

ALI RAZA SHAH, *Maj*,
For Director General.

GEOLOGICAL SURVEY OF PAKISTAN

Quetta, the 17th December, 2019

No. Estt-I-796/PF.—The Secretary, Ministry of Energy (Petroleum Division), Islamabad, being the Competent Authority has been pleased to accept the resignation tendered by Mr. Shah Jahan, Drilling Engineer (BPS-17), Geological Survey of Pakistan, Quetta with effect from 22nd March, 2019 *vide* Ministry of Energy (Petroleum Division), Letter No. GSP-3(1)/2019 dated 21st June, 2019.

The name of Mr. Shah Jahan has been struck off from the strength of Geological Survey of Pakistan with effect from 22nd March, 2019.

No. Estt-I-595/PF.—The Director General, Geological Survey of Pakistan has been pleased to grant 24 days ex-Pakistan leave on full pay to perform Umrah from the date of availing to Mr. Muhammad Awais Khan, Deputy Director (BPS-18), GSP, Peshawar (with permission to leave the station) subject to title.

On the expiry of leave, the officer is likely to resume his duty on the same post and station.

Quetta, the 31st December, 2019

No. Estt-I-841/PF.—Consequent upon his transfer from Geological Survey of Pakistan, Quetta to Geological Survey of Pakistan, Karachi *vide* office order of even number dated 14th November, 2019, Mr. Sartaj Ali, Assistant Director (BPS-17) has relinquished the charge of his post at GSP, Quetta on 29th November, 2019 and assumed the charge of his post at GSP, Karachi on 2nd December, 2019.

The officer will draw his salary from (Part-I), GSP, Karachi.

No. Estt-I-810/PF.—Consequent upon his transfer from Geological Survey of Pakistan, Quetta to Geological Survey

of Pakistan, Karachi *vide* office order of even number dated 14th November, 2019, Syed Jawad Shah, Assistant Director (BPS-17) has relinquished the charge of his post at GSP, Quetta on 29th November, 2019 and assumed the charge of his post at GSP, Karachi on 3rd December, 2019.

The officer will draw his salary from (Part-I), GSP, Karachi.

ZAHID HUSSAIN KHAN,
Deputy Director (Admn).

Quetta, the 6th December, 2019

No. Estt-I-809/PF.—Mr. Muhammad Usman, Assistant Director, Geological Survey of Pakistan, Quetta is granted 10 days leave on full pay from 25th November, 2019 to 4th December, 2019 subject to title.

On expiry of the above leave Mr. Muhammad Usman, is likely to assume the charge of his post at the same station.

No. Estt-1-877/PF.—Mr. Ali Raza Ansari, Assistant Private Secretary, Geological Survey of Pakistan, Quetta was granted 12 days leave on full pay from 4th November, 2019 to 15th November, 2019 (subject to title).

On expiry of the above leave Mr. Ali Raza Ansari, assume the charge of his post at the same station.

WASEEMUDDIN,
Superintendent.

Islamabad, the 24th December, 2019

No. GSP/ROI/PF-38.—Mr. Muhammad Ali, Assistant Director (BPS-17), Geological Survey of Pakistan, Islamabad is granted subject to title, leave on full pay for 12 days from 30th December, 2019 to 10th January, 2020 excluding prefix holidays from 28th December, 2019 to 29th December, 2019 and suffix holidays from 11th January, 2020 to 12th January, 2020.

On expiry of leave the officer is likely to resume his duty on the same post and station.

GOHAR REHMAN,
Administrative Officer.

Lahore, the 26th December, 2019

No. PC/PF-5(47)/2017.—Mr. Muhammad Usman Jeelani, Chemist, Geological Survey of Pakistan, Lahore is granted subject to title, 12 days leave on full pay from 30th December, 2019 to 10th January, 2020.

On expiry of leave the officer is likely this to assume the charge of his post duty on the same station.

ASHFAQ AHMAD,
Superintendent.

(Southern Zone)

Karachi, the 24th December, 2019

No. Admin-10(13)/PF.—In supersession of this Office's notifications of even number, dated 1st November, 2019 & 8th November, 2019. Mr. Junaid Ali, Progress Officer, Geological Survey of Pakistan, Quetta, THQ at GSP, Karachi is granted 40 days Leave on full pay from 28th October, 2019 to 6th December, 2019, (Subject to title).

On expiry of the above leave the Officer has assumed the charge of his post at the same station.

No. Admin-06(10)/PF.—Mr. Majid Ali, Chemist, Geological Survey of Pakistan, Quetta, THQ at GSP, Karachi is granted 09 days Leave on full pay L.F.P. from 19th December, 2019 to 27th December, 2019, (Subject to the title).

On expiry of the above leave he is likely to assume the charge of his post at the same station.

No. Admin-04(17)/PF.—Mr. Mumtaz Ali, Deputy Director, Geological Survey of Pakistan, Karachi, is granted 12 days Leave on full pay (L.F.P.) from 2nd December, 2019 to 13th December, 2019, (Subject to title).

On expiry of the above leave he is likely to assume the charge of his post at the same station.

ZULFIQAR ALI,
Assistant Director (Admin).

JINNAH POSTGRADUATE MEDICAL CENTRE

Karachi, the 11th March, 2020

No. PF. 2-248/ZG/ADMN.1/JPMC.—Mst. Kanwal Noreen, Charge Nurse of this Centre has been granted LFP for 06 days with effect from 18th February, 2020 to 23rd February, 2020, subject to title.

She has resumed her duty on 24th February, 2020.

No. PF. 2-353/AA/ADMN.1/JPMC.—Mr. Abdul Aziz S/o. Aziz-ur-Rehman, Charge Nurse of this Centre has been granted LFP for 14 days with effect from 17th February, 2020 to 1st March, 2020 on medical grounds subject to title.

He has resumed his duty on 2nd March 2020.

No. PF. 2-452/FG/ADMN.1/JPMC.—Mst. Faiza Ghazal D/o Butta Masih, Charge Nurse of this Centre has been granted LFP for 11 days with effect from 25th January, 2020 to 4th February, 2020, on medical grounds subject to title.

She has resumed her duty on 5th February, 2020.

No. PF. 2-187/KK/ADMN.1/JPMC.—Mst. Kafila Khan, Charge Nurse of this Centre has been granted leave on full pay for 04 days with effect from 2nd March, 2020 to 4th March, 2020, subject to title.

She has resumed her duty on 5th March, 2020.

No. PF. 2-188/AA/ADMN.1/JPMC.—Mst. Azra D/o. Abdullah, Charge Nurse of this Centre has been granted LFP for 10 days with effect from 6th February, 2020 to 10th February, 2020 and 18th February, 2020 to 22nd February, 2020, subject to title.

She has resumed her duty on 11th February, 2020 to 23rd February, 2020.

Karachi, the 12th March, 2020

No. PF. 1-673-MC/ADMN.1/JPMC.—In supersession of this Centre notification of even number dated 2nd November, 2019, Dr. Mehnaz Channa, Medical Officer has been granted casual leave with effect from 26th August, 2019 to 4th September, 2019.

No. PF. 2-186/QN/ADMN.1/JPMC.—Mst. Qamar-un-Nisa D/o. Dara Khan, Charge Nurse of this Centre has been granted LFP for 10 days with effect from 25th February, 2020 to 5th March, 2020, subject to title.

She has resumed her duty on 6th March, 2020.

No. PF. 2-68/S/ADMN.1/JPMC.—Mst. Shazia D/o. Zafar Hussain, Charge Nurse of this Centre has been granted maternity leave under Para-13 of Revised Leave Rules 1980 as under :-

- i) 45 days with effect from 3rd October, 2020 to 16th November, 2020 (Before Confinement).
- ii) 45 days with effect from 17th November, 2019 to 31st December, 2020 (After Confinement).
- iii) LFP granted for 60 days with effect from 1st January, 2020 to 29th February, 2020.

She has resumed her duty on 1st March, 2020.

Karachi, the 17th March, 2020

No. PF. 2-344/KA/ADMN.1/JPMC.—The unauthorized absence from duty in respect of Mst. Kiran Anjum D/o. Yaqoob Anjum, Charge Nurse of this Centre for 04 days with effect from 27th February, 2020 to 1st March, 2020, has been treated as EOL, (without pay and allowances).

She has resumed her duty on 2nd March, 2020

No. PF. 1-546-SR/ADMN.1/JPMC.—Dr. Shahneela Raza, Assistant Anaesthetist of this Centre has been granted leave on full pay with effect from 2nd to 10th March, 2020, subject to title.

On the expiry of leave, she has resumed her duty on the same post and at the same place on 11th March, 2020.

No. PF. 2-488/WA/ADMN.1/JPMC.—Mr. Waheed Ahmed, S/o. Bashir Ahmed, Charge Nurse of this Centre has been granted LFP for 10 days with effect from 2nd March, 2020 to 11th March, 2020, subject to title.

He has resumed his duty on 12th March 2020.

DR. SEEMIN JAMALI T/,
Executive Director.

NATIONAL INDUSTRIAL RELATIONS COMMISSION

Islamabad, the 25th March, 2020

No. 4(12)/87-Admn.—Mr. Rustam Ali Brohi, Private Secretary National Industrial Relations Commission (NIRC) is hereby granted 21 days earned leave with effect from 24th March, 2020 to 13th April, 2020 on full average pay under Leave Rules, 1980.

After expiry of leave Mr. Rustam Ali Brohi, Private Secretary NIRC is expected to assumed the charge of the same post at the same station.

MUHAMMAD BILAL NADEEM,
Administrative Officer.

OFFICE OF THE CHIEF COMMISSIONER INLAND REVENUE

[CORPORATE REGIONAL TAX OFFICE]

Karachi, the 27th March, 2020

No. 82/2020/CC-IR/CRTO/Kyc.—Mr. Mushtaque Ali Wagan, Additional Commissioner-IR, Zone-V, Corporate Regional Tax Office, Karachi will also hold additional charge of E&C Range-C and E&C Range-D, Zone-V, Corporate Regional Tax Office, Karachi in addition to his own duties with immediate effect until further orders.

This issues with the approval of Chief Commissioner-IR, Corporate RTO Karachi.

MUHAMMAD MASOOD AHMED GORSI,
Additional Commissioner (HQs).

OFFICE OF THE INSPECTOR GENERAL FRONTIER
CORPS KHYBER PAKHTUNKHWA

Peshawar, the 4th March, 2020

No. 22/Prom/33/X/RW.—On completion of probationary period of six months, under mentioned Junior Commissioned officers are confirmed in their present rank from the date as noted against each :-

1. Number 1103336 Subedar Gulistan, Orakzai of Mohmand Rifles with effect from 8th August, 2019.
2. Number 1201336 Naib Subedar Syed Jabir Hussain, Turi of Mohmand Rifles with effect from 15th May, 2019.
3. Number 1102581 Subedar Iftikhar Ali. Turi of Khyber Rifles with effect from 14th May, 2019.
4. Number 503272 Subedar Noor Ullah Jan. Wazir of Khyber Rifles with effect from 1st August, 2018.
5. Number 504778 Naib Subedar Sizar Bad Shah, Bangash of Khyber Rifles with effect from 5th September, 2019.

6. Number 702735 Naib Subedar Nazar Khan. Khattak of Mahsud Scouts with effect from 29th September, 2019.

PAKISTAN POST

[OFFICE OF THE DIRECTOR GENERAL PAKISTAN POST]

7. Number 204203 Naib Subedar Shariq Khan. Yousafzai of Mahsud Scouts with effect from 31st May, 2019.

Islamabad, the 31st March, 2020

8. Number 205306 Naib Subedar Majeed-Ur-Rehman, Marwat of Mahsud Scouts with effect from 30th September, 2019.

No. Disp.5-8/2019.—The competent authority has been pleased to re-instate Mr. Ahmed Ali Bhatti, Divisional Superintendent Postal Services (BPS-17) Sibi from suspension with immediate effect. The intervening period of suspension with effect from 11th November, 2019 may be treated as spent on duty.

MUHAMMAD IMRAN, *Lieutenant Colonel,
Officer Incharge Record.*

MUHAMMAD AKHLAQUE RANA,
Director General.

PAKISTAN METEOROLOGICAL DEPARTMENT

Islamabad, the 30th March, 2020

Islamabad, the 30th March, 2020

No. E-2(21)/IV.—Consequent upon his promotion to the post of Superintendent (BS-16) Mr. Ali Raza has assumed the charge of the post of Superintendent (BS-16) at Regional Meteorological centre Gilgit on 20th March, 2020.

No. P (I) 1-1/2004-IV.—In pursuance of Ministry of Communications, Government of Pakistan Islamabad's Notification No. 1-7/2019-P.O.-I dated 27th March, 2020, the approval of the competent authority (Prime Minister) is hereby conveyed for the current charge appointment of Mr. Muhammad Akhlaque Rana, Addl. Director General (Admn) (BPS-21) Directorate General, Pakistan Post, Islamabad against the vacant post of Director General Pakistan Post / Chairman, Pakistan Postal Services Management Board (PPSMB) (BPS-22), Dte-General, Pakistan Post, Islamabad with effect from 3rd December, 2019 in addition to his own duties for a maximum period of three months or till promotion of the regular incumbent, whichever is earlier.

2. He will be on probation for a period of one year and if no order is issued on expiry of probationary period, it shall be deemed to have been extended for further period not exceeding one year.

MUHAMMAD NISAR KHAN,
Superintendent (Estb.).

HAFIZ ZAFAR ALI MALIK,
Dy. Director General (Admn).

The Gazette of Pakistan

PUBLISHED BY AUTHORITY

KARACHI, WEDNESDAY, JULY 22, 2020

PART IV

Notifications issued by the minor administrations and miscellaneous notifications not included in any other part

MINISTRY OF NATIONAL HEALTH SERVICES,
REGULATIONS & COORDINATION

Islamabad, the 10th July, 2020

No. 26(29)/2020-SO(A-II).—The competent authority *i.e.* Secretary, Ministry of National Health Services, Regulations & Coordination (NHSR&C), has been pleased to constitute the “Procurement Committees (Financial Bids)” for purchase of medical equipment / machinery at competitive prices for the project titled “Establishment of 200 Beds Centre for Gynecology and Obstetrics, Rawalpindi”. The Committee shall ensure all the legal and codal formalities as per PPRA Rules, 2004. The constitution of the Committee are as under :-

Chairman:

1. Joint Secretary (F&P), Ministry of NHSR&C.

Members :

2. Chief Engineer, Pak-PWD.
3. General Manager, NESPAK.
4. Deputy Secretary (Budget) Ministry of NHSR&C.
5. Director (Finance), PIMS, Islamabad.
6. Section Officer (Budget), Ministry of NHSR&C.
7. Director (P&D), Ministry of NHSR&C.

TORs OF PROCUREMENT COMMITTEES (FINANCIAL BIDS)

- Formulation of Financial bids.
- Opening of Financial bids, their evaluation and finalization.
- Issuance of work order to lowest evaluated successful bidders.

No. 26(29)/2020-SO(A-II).—With the approval of competent authority *i.e.* Secretary, Ministry of National Health Services, Regulations & Coordination (NHSR&C), in supersession of this Ministry’s Office Order No. F. 26-29/2020-SO (Admn-II), dated 6th March, 2020, Dr. Muhammad Shahid Hanif, former Executive Director, FGPC, Islamabad has been assigned the additional charge of Project Director of the “Establishment of 200 Beds Centre for Gynecology and Obstetrics, Rawalpindi” on regular basis with immediate effect.

TORs OF PROJECT DIRECTOR

- Project Director will be overall incharge of the project “Establishment of 200 Beds Centre for Gynecology and Obstetrics, Rawalpindi”.
- Responsible for all the technical, Financial and administrative matters of the project.
- Ensure observance of timelines and completion of the project with in the given time frame.
- Conveying meetings of Procurement Committees Technical and Financial bids.
- Liaison and coordination with all stake holders.
- Preparation of periodical reports on progress made on the project.

No. 26(29)/2020-SO(A-II).—The competent authority *i.e.* Secretary, Ministry of National Health Services, Regulations & Coordination (NHSR&C), has been pleased to constitute the “Oversight Implementation Committee” for the project titled “Establishment of 200 Beds Centre for Gynecology and Obstetrics, Rawalpindi”. The constitution of the Committee is as under :

Chairman:

1. Secretary, Ministry of NHSR&C.

Members :

2. Director General (Health), Ministry of NHR&C.
3. Joint Secretary (F&P), Ministry of NHR&C.
4. Additional Registrar (Admin), Supreme Court of Pakistan.
5. Executive Director, PIMS.
6. Chief Engineer, Pak-PWD.
7. General Manager, NESPAK.
8. Chief (Health), Ministry of PD&SI.
9. Deputy Secretary (Expenditure), NHR&C, Ministry of Finance.
10. Director (P&D), Ministry of NHR&C.
11. Deputy Secretary (Budget), Ministry of NHR&C.

Chairman:

1. Director General (Health), Ministry of NHR&C

Members :

2. Executive Director, PIMS
3. Executive Director, FGPC
4. Executive Director, NIRM
5. Chief Engineer, Pak-PWD.
6. General Manager, NESPAK
7. Director (ICT-Coordination)
8. HOD, Gynae/Obs. PIMS
9. HOD, Gynae/Obs. FGPC
10. Bio-Medical Engineer, PIMS
11. Bio-Medical Engineer, NIH

TORs OF OVERSIGHT IMPLEMENTATION COMMITTEE.

- To formulate policy, mechanism, SOPs for completion of the project within given time frame.
- To review the progress, evaluate and monitor the project activities.
- To evaluate the reports submitted by the Project Management Unit.

ASGHAR ALI,
Deputy Secretary (Admin.).

Islamabad, the 10th July, 2020

No. 26(29)/2020-SO(A-II).—The competent authority *i.e.* Secretary, Ministry of National Health Services, Regulations & Coordination (NHR&C), has been pleased to constitute the “Procurement Committees (Technical Bids)” for purchase of medical equipment / machinery at competitive prices for the project titled “Establishment of 200 Beds Centre for Gynecology and Obstetrics, Rawalpindi”. The Committee shall ensure all the legal and codal formalities as per PPRA Rules, 2004. The constitution of the Committees are as under :-

TORs OF PROCUREMENT COMMITTEE (TECHNICAL BIDS)

- Vetting of draft EOI submitted by Pak-PWD received from Cabinet Division.
- Finalization of technical specifications of medical equipment as per approved PC-I.
- Finalization of bidding document for procurement of medical equipment.
- Opening of technical bids and their evaluation and finalization.
- Procurement of equipment as per technical specification and their installation.
- Monitoring and evaluation of commissioning of Medical Equipment.

FARHAN SIKANDAR,
Section Officer (Admin-I).

The Gazette of Pakistan



PUBLISHED BY AUTHORITY

KARACHI, WEDNESDAY, JULY 22, 2020

PART V

Notifications, etc., issued by The Patent Office

NEW APPLICATIONS FOR THE PATENTS

9th October, 2019

The dates shown in the crescent brackets are the dates claimed under Section 86 of the Patents Ordinance 2000.

7th October, 2019

669/2019 Quaid-i-Azam University, Pakistan.—“A simple process for obtaining high yield of purified ajugarin I from bugleweed”.

670/2019 Advanced Accelerator Applications International, Switzerland (Priority 12th October, 2018, EP).—“GRPR TARGETING RADIOPHARMACEUTIALS AND USES THEREOF”.

671/2019 Jan Nisar, (National Centre of Excellence in Physical Chemistry) and Ghulam Ali, (National Centre of Excellence in Physical Chemistry), Pakistan.—“Waste polystyrene conversion into fuel oil using natural clay as catalyst”.

672/2019 AZIM ENDUSTRI MAKINELERI VE TEKNOLOJI ANONIM SIRKETI, Turkey (Priority 26th July, 2019, TR).—“EDGE FOLDING APPARATUS”.

8th October, 2019

673/2019 Syed Tajammul Hussain S/o. Syed Pervaiz Hussain, Pakistan.—“SYSTEM FOR FACILITATING THE IDENTIFICATION, INVESTIGATION, ASSESSMENT AND MANAGEMENT OF POLITICALLY, SUBJECTS AND/OR ENTITIES IN PAKISTAN AND GLOBALLY, WHO POSE A FINANCIAL, SECURITY, POLITICAL OR OTHER THREAT OR RISK”.

674/2019

Merck Sharp & Dohme Corp., and Tilos Therapeutics, Inc., U.S.A. (Priority 10th October, 2018, US).—“ANTI-LAP ANTIBODY VARIANTS AND USES THEREOF”.

675/2019

Awesome Medical Company, LLC., U.S.A. (Priority 11th October, 2018, US).—“PLASMA DIALYSIS SYSTEMS AND METHODS OF USE THEREOF”.

676/2019

Saurer Spinning Solutions GmbH & Co. KG., Germany (Priority 10th October, 2018, DE).—“METHOD FOR REDUCING ERRORS IN TEXTILE MACHINES”.

677/2019

Novartis AG, Switzerland (Priority 15th October, 2018, US).—“TREM2 STABILIZING ANTIBODIES”.

678/2019

Muhammad Suleman Tahir, Muhammad Sagir, Mubeen Arif, Mahmood Saleem and Saeed Gul, Pakistan.—“Wet coal-ethanol slurry technology”.

11th October, 2019

679/2019

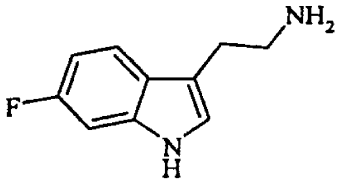
Aga Khan University, Pakistan.—“WEARABLE MATERNITY SENSOR DEVICE”.

680/2019

Genzyme Corporation, U.S.A. (Priority 12th October, 2018, US).—“GENERATION OF IMPROVED HUMAN PAH FOR TREATMENT OF SEVERE PKU BY LIVER-DIRECTED GENE REPLACEMENT THERAPY”.

681/2019

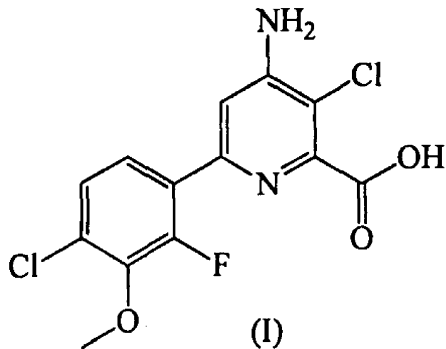
CALICO LIFE SCIENCES, LLC and ABBVIE, INC., U.S.A. (Priority 11th October, 2019, US).—“PRODRUG MODULATORS OF THE INTEGRATED STRESS PATHWAY”.

- 682/2019 SERUM INSTITUTE OF INDIA PVT LTD, India (Priority 12th October, 2018, IN).—
“COMBINATION VACCINE COMPOSITION COMPRISING REDUCED DOSE INACTIVATED POLIOVIRUS AND METHOD FOR PREPARING THE SAME”.
- 143311
- APPLICATION ACCEPTED**
- Notice is hereby given that the person interested in opposing the grant of Patents to any of the applications referred to below at any time within four months from the date of this Patents' journal may give notice at the Patent Office on the prescribed Form P-7 of the Patents Rules 18(1) of 2003.
- The six figures number shown in the right hand side are those given to applications on acceptance of the complete specification under which the specification will be printed and subsequent proceeding taken.
- The figures shown within square brackets after the title of inventions indicate their classification index at acceptance.
- Typed copies of the specification which are to open to public inspection can be supplied by the Patent Office on payment of the prescribed charges which may be ascertained on application to the office.
- 1061/2010 H. LUNDBECK A/S, Denmark.—“A process for the preparation of N-(2-(6-fluoro-1H-indol-3-yl) ethyl-3-(2,2,3,3-tetrafluoropropoxy) benzylamine compound”.
- 143310
- C07D209/10, C07D209/16 & C07D209/14.
- A process for the preparation of the compound of formula IV,
- 

Formula IV
- comprising the steps of:
mixing (6-fluoro-1 H-indol-3 -yl)acetonitrile, NH₃ in water and a transition metal catalyst in an alcoholic solvent; and
hydrogenating the mixture with H₂.
- 1062/2010 CHIESI FARMACEUTICI S.P.A., Italy.—
“Pharmaceutical Aerosol Composition Comprising Glycopyrronium Bromide”
- 143312
- A61K45/61.
- The invention concerns stable aerosol composition comprising glycopyrronium bromide for administration to patients with asthma and chronic obstructive pulmonary disease (COPD) and other respiratory conditions..
- 1064/2010 CHIESI FARMACEUTICI S.P.A., Italy.—
“Pharmaceutical Composition Comprising Glycopyrronium Bromide with Formoterol”
- 143313
- A61K9/00.
- The invention concerns an aerosol composition suitable for administering to chronic obstructive pulmonary disease (COPD) patients by means of a pressurized metered dose inhaler (pMDI), comprising glycopyrronium bromide in combination with formoterol. The composition further comprises a HFA propellant, a co-solvent, and an amount of inorganic acid sufficient to stabilize both the glycopyrronium bromide and the formoterol components. Optionally the composition further comprises beclometasone dipropionate.
- 1065/2010 CHIESI FARMACEUTICI S.P.A., Italy.—
“Pharmaceutical Composition Comprising Glycopyrronium Chloride with Formoterol”.
- 143313
- A61K9/00.
- The invention concerns an aerosol composition suitable for administering to COPD patients by means of a pressurized metered dose inhaler (pMDI), comprising glycopyrronium chloride in combination with formoterol. The composition further comprises a HFA propellant, a co-solvent, and an amount of inorganic acid sufficient to stabilize both the glycopyrronium chloride and the formoterol components. Optionally the composition further comprises beclometasone dipropionate.
- 817/2012 DOW AGROSCIENCES LLC, U.S.A.—
“HERBICIDAL COMPOSITION CONTAINING 4-AMINO-3-CHLORO-6-(4-CHLORO-2-FLUORO-3-METHOXY PHENYL)PYRIDINE-2-CARBOXYLIC ACID AND FLUROXYPYR MEPTYL”.
- 01P13/00.
- A61K9/00.

143314

The present invention relates to a composition comprising a herbicidally effective amount of (a) a compound of the formula (I):



or, with respect to its carboxylic acid moiety, an agriculturally acceptable salt, ester, or amide thereof, and (b) fluroxypyr, or, with respect to its carboxylic acid moiety, an agriculturally acceptable ester, amide, or salt thereof, wherein the carboxylic acid equivalent weight ratio of (a) to (b) is form 1:3 to 1:62.

856/2013

Salma Bilal, Anwar-ul-Haq Ali Shah, Rudolf Holze, and Salma Gul, Pakistan.—“Highly Soluble, Conducting and Anticorrosive Co-doped Polyaniline Salt”.

H01B1/12 & C08G73/02.

143315

We disclose the synthesis of a co-doped polyaniline (PANI) salt through the emulsion polymerization route. The different reactants involved in the pathway were chosen in such a way that the final product i.e the co-doped polyaniline salt was collected in its purist form. The material was not only highly soluble in a large variety of commonly used organic solvents but at the same time it showed very high conductivity values (5 S/cm) and high enough thermal stability (500 ° C). Wherein the polymerization of aniline was carried out for the first time in the presence dodecylbenzenesulfonic acid (DBSA) and sulfuric acid as dopants together. It is well established that the properties of polyaniline greatly depends upon the method of synthesis, type of dopant, oxidant and solvent system etc used in a particular pathway. To the best of our knowledge the present combination of reactants is the first ever combination, for a chemical oxidative polymerization pathway in general and for emulsion polymerization pathway in particular, that the polyaniline salt was collected in very pure form without having any residues or byproducts from the reaction

mixture and was simultaneously highly conducting and soluble. The pathway is effective enough that the acid group (H₂SO₄) and surfactant molecule (DBSA) were both incorporated as dopants in the polyaniline chain. The synthesized co-doped polyaniline exhibit very good electroactivity and was optically transparent, very similar to the electrochemically synthesized PANI. Potentiodynamic measurements revealed that the coatings of this co-doped polyaniline salt can provide good resistance to the steel surfaces, in comparison with the corrosion protection performance previously reported for polyaniline synthesized through different techniques.

Keywords: Co-doped polyaniline, sulfuric acid, DBSA, highly soluble, electroactivity, conductance, thermal stability, corrosion protection.

54/2014

Gilead Pharmasset LLC., U.S.A.—“A fixed dose combination tablet comprising ledipasvir and sofosbuvir as active ingredients”.

A61K 31/501, A61K9/20, A61K9/16 & A61K31/53.

143316

Disclosed are pharmaceutical compositions having an effective amount of substantially amorphous ledipasvir and an effective amount of substantially crystalline sofosbuvir.

491/2014

Dr. Nighat Sultana, PSO; Mr.Mahmood-ul-Hassan, SSO and Mr. Muhammad Saleem Qazi, SSO, Pakistan.—“A PROCESS FOR THE PRODUCTION OF SEABUCKTHORN SHAVING CREAM THROUGH MILESTONE START-E ATC-400 MICROWAVE EXTRACTOR SYSTEM”.

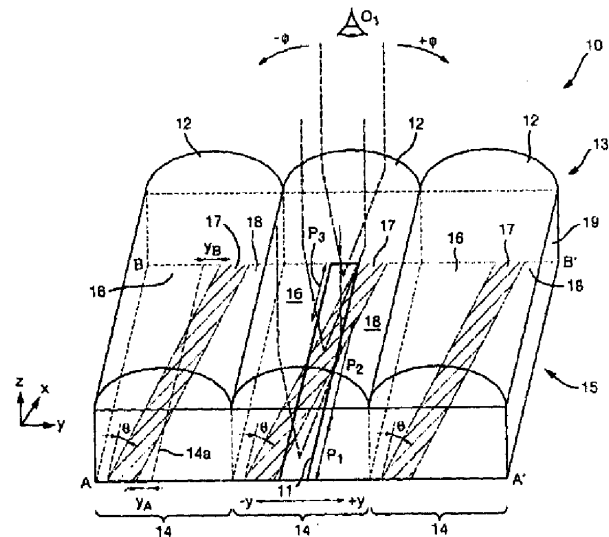
143317

This invention relates to use of microwave extractor system for the first time in the formulation of an economical and effective product based on the Sea buckthorn fruit oil and Aloe vera extract (Sea buckthorn for healing of cuts and wounds on face and Aloe vera extract is a natural anti-inflammatory substance and act quickly to bring down redness and swelling). Pure oil is used obtained from Sea buckthorn fruit through Milestone Start-E ATC-400 microwave extractor system.

This Sea buckthorn Shaving cream contains stearic acid 15.70gm, coconut oil 06.73gm, palm oil 02.81gm, potassium hydroxide 03.65gm, sodium hydroxide 00.77gm, glycerin 08.41gm, sodium lauryl sulphate 01.10gm, borax 01.12gm, menthol 00.04gm, water 56.13gm, sea buckthorn fruit oil 01.35gm,

- aloe vera extract 02.00gm, methyl paraben 00.06gm, propyl paraben 00.06gm and perfume 00.06gm, having maximum allowable concentration of active ingredients sea buckthorn oil and aloe vera extract. It was observed that this product is not only effective as shaving cream but makes the skin soft and helps to heal cuts wounds rapidly. The best result for efficacy (relieving infection of skin, facilitate removal of hair, and reduced inflammation and moisten skin and the hair, thus making shaving more comfortable) were obtained when Sea buckthorn fruit oil is 01.35gm/ and Aloe vera extract is 02.00gm/100gm. 143319
- 424/2015 COMSATS Institute of Information Technology (CIIT), Pakistan.—“A method of extraction of Hydroxyapatite from fish scales employing ionic liquids”.
C01B25/32 & C01B25/00.
143318
- Exemplary embodiments of the present invention disclose a method for extraction of hydroxyapatite from fish scales employing ionic liquids. The method comprises of obtaining the fish scales from fresh and salt water fish sources, washing the collected scales with distilled water, drying at room temperature, and grinding in a shear mixer wherein the shear mixer is rotated at a speed of 1000 revolutions per minute (rpm) to 12,000 (rpm), to grind the fish scales in wet state to form a thick slurry followed by drying in oven at 40 °C - 80 °C which converted the state of fish scales into powder. The fish scale powder was further processed employing ionic liquids to extract the hydroxyapatite from ground fish scale. Benefits of the new method may include utilization of biological fish waste into valuable biomaterials, exploitation of green route consisted of ionic liquid pretreatment with one spot extraction of hydroxyapatite from waste fish scales, recycling and recovery of the reaction solvents, extraction of hydroxyapatite in native form at ambient conditions, extraction of hydroxyapatite at relatively lower temperature thus maintaining the chemical and structural texture, and simultaneous extraction of inorganic and organic fractions of valuable biomaterials. 154/2016
- De La Rue International Limited, United Kingdom.—“SECURITY DEVICE AND METHOD OF MANUFACTURE”.
G02B3/00, G02B27/22, B41M3/14 & B42D25/29.
143320
- A security device is disclosed, comprising: an array of elongate focusing structures, the elongate axes of which are aligned along a first direction, the elongate focusing structures being arranged parallel to one another periodically along a second direction which is orthogonal to the first direction, each elongate focusing structure having an optical footprint of which different elongate strips will be directed to the viewer in dependence on the viewing angle, the centre line of each optical footprint being parallel with the first direction; and an array of image elements overlapping the array of elongate focusing structures, the array of image elements representing elongate image slices of at least two respective images, each image slice comprising one or more image elements, and at least one image slice of each respective image being located in the optical footprint of each elongate focusing structure. The array of image elements is configured such that the distance in the second direction of each image slice from the centre line of an optical
- 862/2015 Alim-un-Nisa, Naseem Zahra, Dr. M. Khalid Saeed, Dr. Imran Kalim, Sajila Hina, Dr. Sania Mazhar, Dr. Ijaz Ahmed, Dr. Shahid Masood, Dr. Qurat-ul-Ain Syed, Dr. Shahzad Alam & Dr. Sakhawat Ali, Pakistan.—“EXTRACTION OF NATURAL PINK DYE FROM GARDEN ORECHE (*Atriplex hortensis*)”
D06P1/34 & C09B61/00.

footprint in which the image slice is located changes along the first direction. At at least some viewing angles, the elongate strip of the optical footprint of each elongate focusing structure which is directed to the viewer includes a portion of a first image slice corresponding to a first image and a portion of a second image slice corresponding to a second image, such that the first image is displayed by a first region of the security device and the second image is displayed by a second region of the security device which is laterally offset from the first region in the first direction, the positions of the first and second regions along the first direction depending on the viewing angle.



NEW APPLICATIONS FOR THE INDUSTRIAL DESIGNS

Design No.	Title & Class	Applicant
7th October 2019		
20101	FUEL TANK MOTOR BIKE (Class 1)	EIFFEL INDUSTRIES LIMITED
20102	SIDE COVERS MOTOR BIKE (Class 1)	EIFFEL INDUSTRIES LIMITED
8th October 2019		
20103	Smart Payment Notification Device (Class-12)	Alibaba Group Holding Limited,

REGISTRATION OF DESIGNS

The following designs have been registered.

S. No.	Design No.	Title & Class	Applicant
7th October, 2019			
1.	17922	Pet Bottle (Class-03)	Mezan Beverages (pvt) Ltd
2.	18708	GIRDERS FOR FOOTBALL (Class-11)	ZOLI INTERNATIONAL PVT LTD.
9th October, 2019			
3	19870	Serving Dish with Lid (Class-03)	DOVE MELAMINE WARE
4	19871	Plate (Class-03)	DOVE MELAMINE WARE
5	19872	Plate (Class-03)	DOVE MELAMINE WARE

NEW APPLICATIONS FOR THE PATENTS**17th October, 2019**

The dates shown in the crescent brackets are the dates claimed under section 86 of the Patents Ordinance 2000.

14th October, 2019

683/2019 Trinity Bay Equipment Holding, LLC., U.S.A. (Priority 12th October, 2018, US).—“INSTALLATION TRAILER FOR COILED FLEXIBLE PIPE AND METHOD OF UTILIZING SAME”.

684/2019 Ferring B.V., Netherlands (Priority 17th October, 2018, US).—“COMPOSITIONS AND METHODS FOR CONTROLLED OVARIAN STIMULATION”.

16th October, 2019

685/2019 SMART WIRES INC, U.S.A.—“FAST POST-FAULT PHASE REACTANCE BALANCING”.

686/2019 Geobruugg AG, Switzerland (Priority 17th October, 2018, DE).—“Securing and/or connecting device, use of the securing and/or connecting device, production device for producing the securing and/or connecting device, method for producing the securing and/or connecting device and rock bolt and method for assembling the rock bolt”.

687/2019 BAYER PHARMA AKTIENGESELLSCHAFT, Germany (Priority 5th November, 2018, EP).—“NOVEL CYTOSTATIC CONJUGATES WITH INTEGRIN LIGANDS”.

688/2019 Dean Ronald THOMPSON, China (Priority 16th October, 2018, HK).—“KIMONO”.

689/2019 Dr. Shabnam Javed, Pakistan.—“Process For Making Aloe Vera Juice”.

690/2019 Dr. Shabnam Javed, Pakistan.—“Process For Making Essential Oil”.

691/2019 University of Veterinary and Animal Sciences (UVAS), Pakistan.—“Buffalo Specific Semen Extender to Enhance the Bull Sperm Fertility”.

692/2019 University of Veterinary and Animal Sciences (UVAS), Pakistan.—“Diagnostic Device for Simultaneous Detection of Three Zoonotic Pathogens”.

693/2019 University of Veterinary and Animal Sciences (UVAS), Pakistan.—“Nanoparticle Loaded Biodegradable Film for Diabetic Wound Healing”.

694/2019 SYNGENTA CROP PROTECTION AG, Switzerland (Priority 19th October, 2018, GB).—“MANIFOLD ASSEMBLY OF A SPRAYING APPARATUS”.

695/2019 Syngenta Participations AG, Switzerland (Priority 19th October, 2018, EP).—“PESTICIDALLY ACTIVE AZOLE-AMIDE COMPOUNDS”.

696/2019 LES LABORATOIRES SERVIER and VERNALIS (R&D) Limited, United Kingdom (Priority 19th October, 2018, EP).—“NEW AMINO-PYRIMIDONYL-PIPERIDINYL DERIVATIVES, A PROCESS FOR THEIR PREPARATION AND PHARMACEUTICAL COMPOSITIONS CONTAINING THEM”.

18th October, 2019

697/2019 Inflazome Limited, Ireland (Priority 19th October, 2018, GB).—“NOVEL PROCESSES”.

698/2019 CASALE SA, Switzerland (Priority 29th October, 2018, EP).—“Radial or axial-radial chemical reactor with a fine catalyst”.

699/2019 Dr. Rao Arsalan Khushnood, Ibrahim Sarwar, Hassan Ali Subhani, Hamza Miraj & Wajeeh Ud Din Ahmed, Pakistan.—“Self Immuned Living Concrete”.

700/2019 Crown Electric Vehicle Company Pvt. Ltd, Pakistan.—“A Hybrid Vehicle”.

APPLICATION ACCEPTED

Notice is hereby given that the person interested in opposing the grant of Patents to any of the applications referred to below at any time within four months from the date of this Patents' journal may give notice at the Patent Office on the prescribed Form P-7 of the Patents Rules 18(1) of 2003.

The six figures number shown in the right hand side are those given to applications on acceptance of the complete specification under which the specification will be printed and subsequent proceeding taken.

The figures shown within square brackets after the title of inventions indicate their classification index at acceptance.

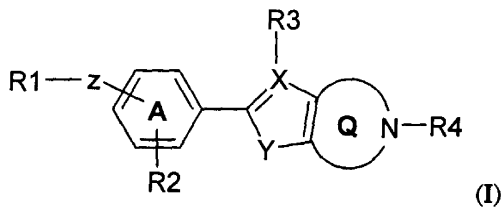
Typed copies of the specification which are to open to public inspection can be supplied by the Patent Office on payment of the prescribed charges which may be ascertained on application to the office.

513/2011 AbbVie B.V. and AbbVie Inc., U.S.A.—
“FUSED HETEROCYCLIC COMPOUND AS
S1P MODULATOR”.

C07D487/04, C07D498/04, C07D513/04,
C07D491/04, A61K31/429 & A61P25/28.

143321

The present invention relates to a fused
heterocyclic compound of the formula (I)



wherein R1 is selected from cyano, (2-4C) alkenyl, (2-4C)alkynyl, (1-4C)alkyl, each optionally substituted with CN or one or more fluoro atoms, (3-6C)cycloalkyl, (4-6C) cycloalkenyl or a (8-10C)bicyclic group, each optionally substituted with halogen or (1-4C) alkyl optionally substituted with one or more fluoro atoms, phenyl, biphenyl, naphthyl, each optionally substituted with one or more substituents independently selected from halogen, cyano, (1-4C)alkyl optionally substituted with one or more fluoro atoms, (1-4C)alkoxy optionally substituted with one or more fluoro atoms, amino, dimethylamino, and (3-6C)cycloalkyl optionally substituted with phenyl which may be substituted with (1-4C)alkyl or halogen, and phenyl substituted with phenoxy, benzyl, benzyloxy, phenylethyl or monocyclic heterocycle, each optionally substituted with (1-4C)alkyl, Z is a linking group -W-(C_n-alkylene)-T- wherein W is attached to R1 and selected from a bond, -O-, -CO-, -S-, -SO-, -SO₂-, -NH-, -CH=CH-, -C(CF₃)=CH-, -C≡C-, -CH₂-O-, -O-CO-, -CO-O-, -CO-NH-, -NH-CO- and trans-cyclopropylene; n is an integer from 0 to 10; and T is attached to the phenylene/pyridyl moiety and selected from a bond, -O-, -S-, -SO-, -SO₂-, -NH-, -CO-, -C=C-, -C≡C-, and trans-cyclopropylene; R2 is H or one or more substituents independently selected from cyano, halogen, (1-4C)alkyl optionally substituted with one or more halogen atoms, or (1-4C)alkoxy optionally substituted with one or more halogen atoms; ring structure A may contain one nitrogen atom; X is selected from C or N; if X is C, R3 is selected from H and (1-4C)alkyl, otherwise R3 is not present; Y is selected from NH, O and S; structure Q is a 5-, 6- or 7- membered cyclic amine; and R4 is (1-4C)alkylene-R5 wherein one or more

20/2012

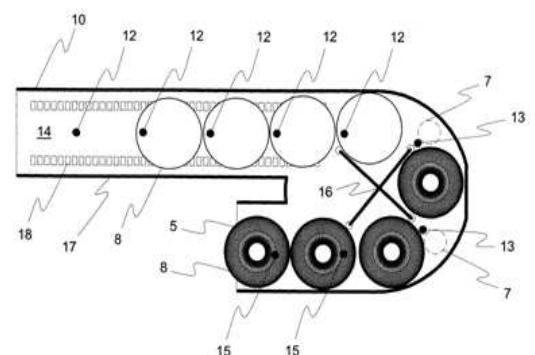
carbon atoms in the alkylene group may independently be substituted with one or more halogen atoms or with (CH₂)₂ to form a cyclopropyl moiety, or R4 is (3-6C)cycloalkylene-R5, -CH₂- (3-6C)cycloalkylene -R5, (3-6C)cycloalkylene-CH₂-R5 or -CO-CH₂-R5, wherein R5 is -OH, -PO₃H₂, -OPO₃H₂, -COOH, -COO(1-4C)alkyl or tetrazol-5-yl. The compound of the invention has affinity to S1P receptors and may be used in the treatment, alleviation or prevention of diseases and conditions in which (any) S1P receptor(s) is (are) involved or in which modulation of the endogenous S1P signaling system via any S1P receptor is involved.

RIETER INGOLSTADT GMBH, Germany.—
“MULTIPLE HEAD DRAW FRAME AND
METHOD FOR CHANGING OUT CANS ON A
MULTIPLE HEAD DRAW FRAME”

D01H9/00.

143322

The invention relates to a multiple head draw frame having at least two drafting systems (3) disposed adjacent to each other for drawing one fiber composite (2) each, wherein an outlet for the drafted fiber material (5) and a storage device disposed in the area of the outlet for storing the fiber material (5) in a can (8) are associated with each drafting system (3), and a filling point (13) is associated with each storage device, one can (8) each being placed in the area thereof during the storage process. According to the invention, a common rotatable can changer is associated with at least two filling points (13), by means of which the cans (8) can be displaced in a joint movement from the filling points (13) thereof to corresponding removal points (15). The invention further relates to a method for changing cans (8) on a multiple head draw frame, characterized in that a can changer associated jointly with at least two filling points (13) is set into rotation after completion of the filling process, such that at least two of the at least partially filled cans (8) are displaced in a joint movement from the filling points (13) thereof into the area of corresponding removal points (15).

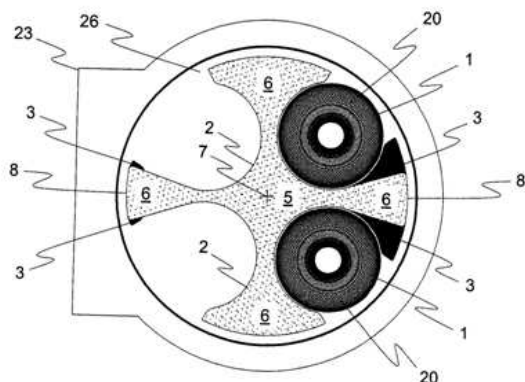


293/2012 RIETER INGOLSTADT GMBH, Germany.—
“CAN CHANGER FOR A SPINNING
PREPARATION MACHINE AND METHOD
FOR CHANGING CANS”.

B65H67/428, D01H9/008 & B65H2701/311.

143323

The invention relates to a can changer for a spinning preparation machine, preferably for a drawing frame, carding machine, or comber, wherein the can changer comprises at least two can gripper devices by means of which one can (1) each can be brought between a first position and a second position, wherein each can gripper device comprises a contact surface (2) for the can (1) and a retaining element (3) that is displaceably mounted relative to the contact surface (2). According to the invention, each retaining element (3) can be displaced by means of an actuating device (4) between a closed position, in which a can (1) can be fixed by means of the retaining element (3) and the associated contact surface (2) of the associated can gripper device, and an open position in which the can (1) is not fixed. The invention further relates to a method for changing cans (1) on a spinning preparation machine, preferably a drawing frame, carding machine, or comber, by means of a can changer, by means of which the cans (1) are brought between a first position and a second position during the can exchange, and characterized in that two cans (1) each are fixed relative to the can changer by means of a common actuating element (9) prior to the can changing.

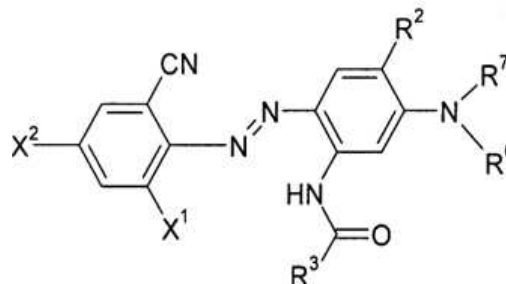


12/2014 DyStar Colours Distribution GmbH,
Germany—“HIGH WET-FAST DISPERSE
DYE MIXTURE”.

C09B67/22.

143324

The invention relates to a disperse azo dye mixture, which have navy or black colour and are AOX-free. The dye mixture of present invention comprising at least one dye of formula (2)



and at least one dye selected from the group consisting of the dyes of formula (3a), (3b), (3c), (3d) and (3e) provided in the claims of specification. The invention further provides a process for the production of a dye mixture comprising a) mixing the components of the dye mixture, b) homogenizing the mixture obtained in step a).

26/2014

Dr. Murtaza Najabat Ali & Faisal Amin,
Pakistan.—“Anisotropic Stent Device for the
Treatment of Coronary Heart Disease”.

A61F2/915.

143325

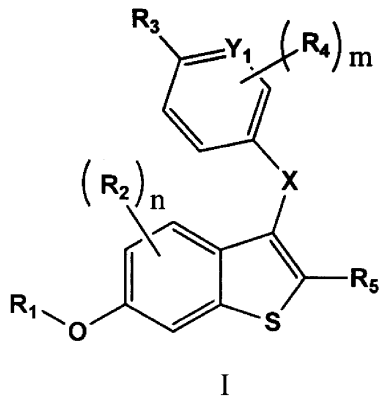
This invention relates to the stent device for the coronary artery of the human heart, which is used to treat coronary artery disease and prevent localized blood flow constriction in obstructed coronary artery. The present invention demonstrates negative Poisson's ratio and comprises of a new Auxetic structure, which makes the mechanical properties of the stent anisotropic. Therefore, a good mechanical adhesion between stent and arterial wall can be achieved owing to the anisotropic nature of the Auxetic stent and Arterial wall. This design of coronary stent has the capability to retain the coronary artery patency after it is expanded in both radial and longitudinal directions. The Auxetic structure stent of present invention constructed with the plurality of unit cells interconnected with horizontal and vertical edges to form hinges and struts of the coronary stent. The structure of single unit cell consists of hollow diamond along with four angulated squircles. The horizontal edges of the unit cells joined the unit cells in the horizontal direction whereas vertical edges joined the Unit cells in the vertical direction, thus forming the array of unit cells in the radial and horizontal directions. A conventional fabrication technique such as CNC precise laser cutting technique and surface treatment methods were used to develop the present invention of coronary stent. Moreover, this invention of Auxetic coronary stent shdws no foreshortening and elastic recoil once it is deployed and plastically deformed.

91/2014 Novartis AG, Switzerland.—“BENZO[b] THIOPHENES COMPOUND AND COMPOSITION THEREOF, AS SELECTIVE ESTROGEN RECEPTOR DEGRADER”.

C07D333/64.

143326

The present invention relates to compound of formula I:



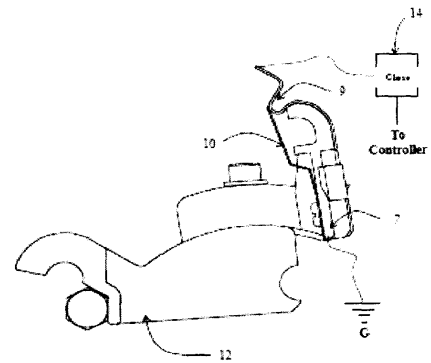
in which the various substituent groups, n, m, X, Y₁, R₁, R₂, R₃, R₄ and R₅ are defined in the summary of the invention; capable of being both potent antagonist and degrader of estrogen receptors. The invention further provides a pharmaceutical composition comprising such compound alongwith pharmaceutically acceptable excipients, useful in the management of diseases or disorders associated with aberrant estrogen receptor activity in particular ER α positive breast cancer exhibiting *de novo* resistance to existing anti-estrogens and aromatase inhibitors.

479/2014 LAKSHMI MACHINE WORKS LTD, India.—“A STOP MOTION ARRANGEMENT FOR TOP COMB LOCKING IN COMBER”.

D01G15/00.

143327

According to the present invention, the top comb locking arrangement for a combing machine comprises a plurality of serially arranged top comb holders, each having a provision for fixing the top comb; at least a spring plate is provided at the top comb carrier where the adjacent top comb holders are supported. The spring plate is being mounted to the carrier by means of a holding member; at least a sensing device is provided to detect the position of the said spring plate. Whenever the circuit is in "open" state, the signal is being read by the machine controller and won't allow the machine to start and run. If the circuit is in "close" state, the signal is being read by the machine controller and allows the machine to start and run.



664/2018

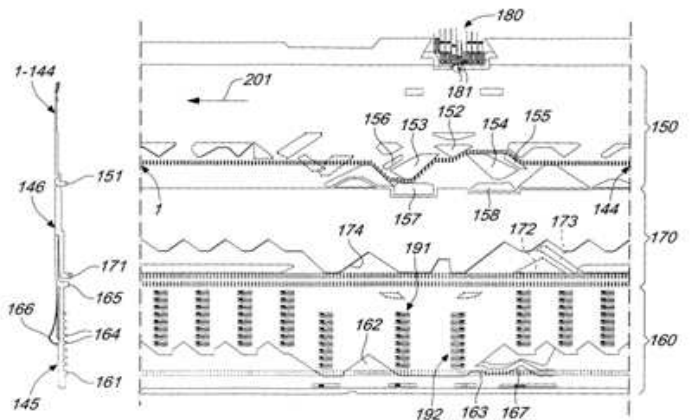
LONATI S.P.A, Italy.—“METHOD FOR THE PRODUCTION OF PORTIONS OF MANUFACTURE BY MEANS OF A CIRCULAR KNITTING MACHINE WITH NEEDLE CYLINDER THAT CAN BE ACTUATED WITH AN ALTERNATING ROTARY MOTION ABOUT ITS OWN AXIS”.

D04B1/10, D04B9/56 & D04B1/26.

143328

A method for the production of portions of manufacture by means of a circular knitting machine with needle cylinder that can be actuated with an alternating rotary motion about its own axis, which comprises the following steps: - identifying a group of contiguous needles (13-132) in the needle cylinder; - dividing the group of needles (13-132) into two contiguous needle subgroups (13-72 and 73-132), respectively a first needle subgroup (13-72) and a second needle subgroup (73-132); - moving to knit at a feed or drop (180) of the machine a needle subgroup (13-72 or 73-132) of the two needle subgroups (13-72, 73-132) during the rotation of the needle cylinder in one direction (201 or 202) and in the subsequent rotation in the opposite direction (202 or 201) to form two partial rows of knitting (301, 302 or 303, 304) in succession; - moving to knit at the feed (180) the other needle subgroup (73-132 or 13-72) of the two needle subgroups (13-72, 73-132) during the rotation of the needle cylinder in one direction of rotation (202 or 201) and in the subsequent rotation in the opposite direction (201 or 202) to form two partial rows of knitting (303, 304 or 301, 302) in succession; - proceeding in this manner by alternating, every two partial rows of knitting (301, 302 or 303, 304), the needle subgroup (13-72 or 73-132) that is moved to knit at the feed (180) for a preset number of partial rows of knitting (301, 302, 303, 304); at least one needle (72, 73) of a needle subgroup (13-72

or 73-132) of the needle subgroups (13-72, 73-132), located proximate to the other needle subgroup (73-132 or 13-72), being moved to knit in the forming of at least one of the two partial rows of knitting (301, 302 or 303, 304) formed in each instance by the other needle subgroup (13-72 or 73-132) for the interconnection of the partial rows of knitting (301, 302 or 303, 304) formed by a needle subgroup (13-72 or 73-132) with the partial rows of knitting (303, 304 or 301, 302) formed by the other needle subgroup (73-132 or 13-72).



NEW APPLICATIONS FOR THE INDUSTRIAL DESIGNS

Design No.	Title & Class	Applicant
14th October 2019		
20104	Charger for rechargeable battery of electric vehicles (Class-12)	MBI Co., Ltd.
15th October 2019		
20105	CONTAINER (Class-03)	MASKATIYA INDUSTRIES (PRIVATE) LIMITED,
20106	FABRIC (Class-08)	AHZ ENTERPRISES (PRIVATE) LIMITED,
18th October 2019		
20107	Voltage Regulator (PCB No. 07) of Electronic Amplifier Assembly of Tank (T59\69) (Class-01)	Dr. Aqib Perwaiz, Dr. Muwahida Liaquat, Dr. Almas Anjum, Muhammad Bin Javed, Muhammad Asadullah, Muhammad Umer Zafar and Kalsoom Hassan

REGISTRATION OF DESIGNS

The following designs have been registered.

S. No.	Design No.	Title & Class	Applicant
14th October, 2019			
1.	19809	PENCIL BOX (Class-03)	Muhammad Nadeem Shaikh
2.	19724	Sanitary Pad (Class-05)	HAYAT KIMYA SANAYI ANONIM SIRKETI
3.	19734	Water Cooler (Class-03)	Continental Plastic

S. No.	Design No.	Title & Class	Applicant
4.	19735	Hot Pot (Class-03)	Continental Plastic
5.	19722	Bottle (Class-03)	Unity Foods Limited,
6.	19065	DIAMONT CUTT GATE LIGHT & GARDEN LIGHT GLOBE (Class-03)	Bilal Mirza
7.	19847	Grappling Dummy (Class-06)	Mr. Habib Ur Rehman, Mr. Waseem
15th October, 2019			
8.	19770	MULTIPURPOSE PRINTING MACHINE (WITH HEAT TRANSFER PRINTING TOUCH SCREEN) (Class-01)	SHENGZHOU DINGDA MACHINERY CO., LTD
16th October, 2019			
9.	19622	Packing of tea (Class-12)	Mr. Abid Saeed Parcaha (Proprietor) Quality Products,
10.	19570	FRONT COMBINATION LAMP FOR AUTOMOBILES (Class-03)	HONDA MOTOR CO., LTD.
11.	19643	SIDE COVER FOR MOTORCYCLES (Class-3)	HONDA MOTOR CO., LTD.
12.	19510	DOOR (Class-01)	Mr, Ghalib Mehmood (Prop) . M/S. Polymer Tek,
13.	19873	Plate (Class-03)	DOVE MELAMINE WARE
14.	19876	Serving Dish with Lid (Class-03)	DOVE MELAMINE WARE
15.	19642	FRONT COWL FOR MOTORCYCLES (Class-03)	HONDA MOTOR CO., LTD.
17th October, 2019			
16.	19793	Set of Cloth (Class-13)	Sana Hashwani
17.	19726	Pet Bottle (Class-03)	Tricon Beverages (Pvt.) Ltd.,
18.	19792	Set of Cloth (Class-13)	Sana Hashwani
19.	19791	Set of Cloth (Class-13)	Sana Hashwani

S. No.	Design No.	Title & Class	Applicant
20.	19790	Set of Cloth (Class-13)	Sana Hashwani
21.	19792	Set of Cloth (Class-13)	Sana Hashwani
22.	19788	Set of Cloth (Class-13)	Sana Hashwani
23.	19789	Set of Cloth (Class-13)	Sana Hashwani
24.	19787	Set of Cloth (Class-13)	Sana Hashwani
18th October, 2019			
25.	19822	Housing for 21 Volt LIPO battery (Class-03)	Aqib Perwaiz
26.	18367	Chassis For Auto Rickshaw (Class-01)	New Asia Automobile (Pvt) Ltd.
27.	19825	Encoder housing for ZFM scope (Class-01)	Aqib Perwaiz
28.	19626	Micro Blading Pen (Class-01)	Muhammad Safdar
29.	19630	Spring Scissors (Class 1)	Muhammad Safdar
30.	19629	Small Lash Mirror (Class 1)	Muhammad Safdar
31.	19628	Line Nipper With Adjustable Blade (Class 1)	Muhammad Safdar
32.	19627	Easy Looping Forceps (Class-01)	Muhammad Safdar

DR. MUHAMMAD FAYYAZ AHMAD,
Controller of Patents & Registrar of Designs.



PUBLISHED BY AUTHORITY

KARACHI, WEDNESDAY, JULY 22, 2020

PART VI

**Advertisements and Notices issued by Corporate Bodies and
Private Individuals on payment**

THE CENTRAL DEPOSITORY COMPANY OF PAKISTAN LIMITED

AMENDMENTS IN FEES AND DEPOSITS SCHEDULE

NOTIFICATION

Karachi the 26th day of June 2020

In exercise of the powers conferred by sub-section (1) of Section 35 of the Central Depositories Act, 1997 (XIX of 1997) read with Regulation 3.8.1 of the Central Depository Company of Pakistan Limited Regulations, the Central Depository Company of Pakistan Limited, being a central depository, has made with the prior approval of the Securities and Exchange Commission of Pakistan granted on April 29, 2016, the following revision in Fee No. 3 of the Fees and Deposits Schedule applicable on CDS Elements which shall, subject to publication of this notification in the official Gazette of Pakistan, come into force with effect from the 1st day of July, 2020, as under:

SCHEDULE OF FEES						
Fee No.	NAME	RATE	BASIS	LEVIED ON	COLLECTION	
					WHEN	MODE
3.	Custody Fee					
	- For Shares	0.005625% p.a.	Market value	Participant/ Account Holder	Month end (calculated on daily basis)	P.O./Draft/ Cheque
	- For Redeemable Securities	0.0046875% p.a.	Market value			
	- For WAPDA Bonds	0.0046875% p.a.	Market value			
	- for Units	0.0046875% p.a.	Quoted or offer price			
	- On Blocked Securities	0.001875% p.a.	Market value			
	- For Major Shareholders	0.001875% p.a.	Market value			
- For Rights Entitlements (unpaid rights)	Nil	-				

HAMMAD ALI FAISAL,
Chief Compliance Officer.

THE CENTRAL DEPOSITORY COMPANY OF PAKISTAN LIMITED**REVISION IN SCHEDULE OF FEES
FOR INVESTOR ACCOUNT SERVICES****NOTIFICATION**

Karachi the 26th day of June 2020

In exercise of the powers conferred by sub-section (1) of Section 35 of the Central Depositories Act, 1997 (XIX of 1997) read with Regulation 12A.10.1 of the Central Depository Company of Pakistan Limited Regulations, the Central Depository Company of Pakistan Limited, being a central depository, has made with the prior approval of the Securities and Exchange Commission of Pakistan granted on April 29, 2016, the following revision in Fee No. 3 of the Schedule of Fees applicable to the Investor-Accountholders which shall, subject to publication of this notification in the official Gazette of Pakistan, come into force with effect from the 1st day of July, 2020, as under:

					COLLECTION	
Fee No.	NAME	RATE	BASIS	LEVIED ON	WHEN	MODE
3.	Custody Fee - For Share - For Redeemable Securities - For WAPDA Bond - for Units - On Blocked Securities - For Major Shareholders - For Rights Entitlements (unpaid rights)	0.005625% p.a. 0.0046875% p.a. 0.0046875% p.a. 0.0046875% p.a. 0.001875% p.a. 0.001875% p.a. Nil	Market value Market value Market value Quoted or offer price Market value Market value -	Investor Account Holder (Individuals as well as other than Individuals)	To be collected in advance (calculated on daily basis)	Cash/P.O./D.D/ Credit Voucher/ Cheque

HAMMAD ALI FAISAL,
Chief Compliance Officer.