

The Gazette of Pakistan

PUBLISHED BY AUTHORITY

No. 29]

KARACHI, WEDNESDAY, JULY 21, 2021

C O N T E N T S

	PAGES		PAGES
PART I— Notifications regarding appointments, promotions, etc., issued by Ministries/Divisions of the Government of Pakistan, Department of the Auditor-General of Pakistan and the Supreme Court of Pakistan other than the Ministry of Defence and Ministry of Defence Production	771—800	PART IV— Notifications issued by the minor administrations and miscellaneous notification not included in any other part	71—72
PART II— Notifications issued by the Ministry of Defence and Ministry of Defence Production	315—361	PART V— Notifications etc., issued by The Patent Office.	175—182
PART III— Notifications issued by the High Courts, the Federal Public Service Commission and by the Attached and Subordinate Offices of the Government of Pakistan	413—427	PART VI— Advertisements and Notices issued by Corporate Bodies and Private Individuals on payment.....	-Nil-
		SUPPLEMENT NO.	
		Weekly, notification of cases and deaths from quarantiable diseases	

PART I

Notifications regarding appointments, promotions, etc. issued by Ministries/Divisions of the Government of Pakistan, Department of the Auditor-General of Pakistan and the Supreme Court of Pakistan other than the Ministry of Defence and Ministry of Defence Production

PRIME MINISTER'S OFFICE (PUBLIC)

Islamabad, the 27th May, 2021

No. F. 5(1)/2011-Admn.—On the recommendations of Departmental Promotion Committee and with the approval of the competent authority, Mr. Pervaiz Afzal, Assistant Incharge (BS-16) of this office is promoted to the post of Superintendent (BS-16), with immediate effect. The officer will be on probation in terms of Rule 21 of Civil Servants (Appointment, Promotion & Transfer), Rules, 1973.

No. F. 1(6)-Estt/90.—In pursuance of this Office Notification No. F.5(1)/2011-Admn., dated 27th May, 2021, Mr. Pervaiz Afzal, has assumed the charge of the post of Superintendent (BS-16), in the Prime Minister's Office (Public), with effect from 27th May, 2021.

The officer will be on probation in terms of Rule 21 of Civil Servants (Appointment, Promotion & Transfer), Rules, 1973.

No. F. 5(1)/2011-Admn.—On the recommendations of Departmental Promotion Committee and with the approval of the competent authority, Mr. Abid Hussain, Assistant Incharge (BS-16) of this office is promoted to the post of Superintendent (BS-16), with immediate effect. The officer will be on probation in terms of Rule 21 of Civil Servants (Appointment, Promotion & Transfer), Rules, 1973.

No. F. 6(2)-Estt/81.—In pursuance of this Office Notification No. F.5(1)/2011-Admn., dated 27th May, 2021, Mr. Abid Hussain, has assumed the charge of the post of Superintendent (BS-16), in the Prime Minister's Office (Public), with effect from 27th May, 2021.

The officer will be on probation in terms of Rule 21 of Civil Servants (Appointment, Promotion & Transfer), Rules, 1973.

HAIDER MUNAWAR CHEEMA,
Section Officer (Admn.).

(771)

[BOARD OF INVESTMENT]

Islamabad, the 26th May, 2021

No. 3(32)-HR.2003.—Consequent upon his repatriation from Benazir Income Support Programme (BISP), Karachi vide Notification No. 1(1117)BISP/HR/17, dated 30th April, 2021, Mr. Riaz-ul-Hassan has assumed the charge of the post of Director (BS-19), Board of Investment, Islamabad on 17th May, 2021 after availing joining time.

Islamabad, the 27th May, 2021

No. 10(12)-Admn/2006.—Mr. Muhammad Bilal Khokhar, Deputy Director (BS-18), is hereby promoted as Director (BS-19), Board of Investment, Islamabad, with effect from 5th August, 2021.

No. 10(12)-Admn/2006.—Mr. Adnan Munir Rajput, System Analyst (BS-18), is hereby appointed as Director (IT) (BS-19), Board of Investment, Islamabad on acting charge basis in accordance with Rule 8-B(1) of the Civil Servants (Appointment, Promotion and Transfer) Rules, 1973, with effect from 1st June, 2021.

No. 10(12)-Admn/2006.—Mr. Lal Dino, Deputy Director (BS-18) is hereby promoted as Director (BS-19), Board of Investment, Islamabad on regular basis, with immediate effect.

Islamabad, the 28th May, 2021

No. 10(12)-Admn/2006.—In pursuance of BoI, Islamabad's notification of even number, dated 27th May, 2021, Mr. Lal Dino has relinquished the charge of the post of Deputy Director (BS-18), on 27th May, 2021 and assumed the charge of the post of Director (BS-19), Board of Investment, Islamabad on the same day.

ABDUL SATTAR,
Deputy Director (HR).

[NATIONAL DISASTER MANAGEMENT AUTHORITY]

Islamabad, the 31st May, 2021

No. PF.1(174)/2021-NDMA(HR).—In pursuance of Establishment Division's Notification No. 1/130/2014-E-4, dated 21st May, 2021, Mr. Jehangir Mushtaq Virk a BS-20 officer of Pakistan Audit & Accounts Service (PA&AS) has assumed the charge of the post of Member (BS-20), National Disaster Management Authority (NDMA), Prime Minister's Office, Islamabad, with effect from 31st May, 2021 under Section 10 of Civil Servants Act, 1973.

AKBAR BACHA,
Deputy Director (Admin.).

NATIONAL ACCOUNTABILITY BUREAU

Islamabad, the 27th May, 2021

No. 3(85)/P/2002/Admn-I.—DG (HRM) has been pleased to approve 03 days leave with full pay on medical grounds in respect of Mr. Rafiullah, Additional Director (BPS-19), NAB (HQ), Islamabad, with effect from 19th May, 2021 to 21st May, 2021.

MUHAMMAD SHOAIB,
Deputy Director (PM-I)
HRM Division.

Islamabad, the 20th May, 2021

No. 3(1389)/S/2013-PM-III.—In pursuance of NAB HQ notification of even number, dated 27th April, 2021, Mr. Sarvech Shaikh, has assumed the charge of the post of Acting Deputy Director (BPS-18), NAB (Karachi), with effect from 29th April, 2021.

No. 3(1389)/S/2013-PM-III.—In pursuance of NAB HQ notification of even number, dated 27th April, 2021, Mr. Shakir Ali, has assumed the charge of the post of Deputy Assistant Director (BPS-16), NAB (Karachi), with effect from 29th April, 2021.

Islamabad, the 21st May, 2021

No. 3(1389)/S/2013/PM-III.—The Competent Authority has been pleased to approve posting / transfer of Mr. Sarvech Shaikh, Acting Deputy Director (BPS-18) from NAB (Karachi) to NAB (KP), Peshawar, with immediate effect and until further orders.

The officer is allowed joining time & TA / DA as per rules.

No. 3(1389)/S/2013/PM-III.—The Competent Authority has been pleased to approve posting / transfer of Mr. Shakir Ali, Deputy Assistant Director (BPS-16) from NAB (Karachi) to NAB (Lahore), with immediate effect and until further orders.

The officer is allowed joining time & TA / DA as per rules.

Islamabad, the 25th May, 2021

No. 7-7(105)/HQ/2006/Admn-I.—The Deputy Chairman NAB has been pleased to accord *ex-post facto* approval of 2 days leave, with full pay (LFP), in respect of Mr. Ghazi Rehman, Director (BPS-20), NAB (Balochistan), Quetta, with effect from 17th May, 2021 to 18th May, 2021.

No. 7-7(4)/Inquiry/K/2020-PM-III.—In continuation of this Bureau's notification of even number, dated 10th August, 2020, 17th November, 2020 & 18th February, 2021 and in terms of Section 11.04 of NAB Employee's Terms & Conditions of Services (TCS) (2002), the suspension period

of Mr. Asif Amanat, Assistant Director (BPS-17), NAB (Karachi) stands extended for a further period of two (02) months, with effect from 10th May, 2021.

SYED IZHAR HUSSAIN SHAH,
Deputy Director (PM-III).

Islamabad, the 27th May, 2021

No. 3(1810)/HQ/2017-PM-I.—The Competent Authority has been pleased to approve transfer / posting of Ms. Saima Malik, Assistant Director (BS-17), from NAB (Lahore) to NAB (Rawalpindi), on compassionate grounds, with immediate effect.

No TA/DA is allowed, however, she would get joining time as admissible under the rules.

MUHAMMAD ZEESHAN HAIDER,
Deputy Director (PM-V).

Islamabad, the 20th May, 2021

No. 3(1225)/KP/2013/PM-II.—DG (HRM) is pleased to grant 89 days maternity leave on full pay, with effect from 29th March, 2021 to 25th June, 2021 in respect of Ms. Salma Begum, Deputy Director (BPS-18), NAB (KP), Peshawar.

On the expiry of leave, the officer is expected to resume her duties of the same post at the same station.

Islamabad, the 27th May, 2021

No. 3(1821)/HQ/2017-PM-II.—In pursuance of this Bureau's notification of even number, dated 6th April 2021, Mr. Wajid Hussain has relinquished the charge of the post of Assistant Director (BS-17) at NAB (Rawalpindi) on 30th April, 2021 and assumed the charge of the post of Assistant Director (BS-17) at NAB (Karachi) on 18th May, 2021.

LUBNA BASHIR,
Assistant Director (PM-II).

Islamabad, the 24th May, 2021

No. 1(753)/Admn/2017/8723.—Director General NAB (R) / Islamabad has been pleased to grant 11 days leave on full pay (LFP), with effect from 18th May, 2021 to 28th May, 2021 in respect of Ms. Uzma Mazhar, Assistant Director (BPS-17), NAB (R) / Islamabad.

On the expiry of leave, the officer will resume her duties of the same post at the same station.

Islamabad, the 28th May, 2021

No. 1(512)/Admn/2013/9289.—Director General NAB (R) / Islamabad has been pleased to grant 10 days leave on

full pay (LFP), with effect from 26th May, 2021 to 4th June, 2021 in respect of Ms. Samina Rahman, Deputy Director (BPS-18), NAB (R) / Islamabad.

On the expiry of leave, the officer will resume her duties of the same post at the same station.

MUHAMMAD QASIM,
Assistant Director (Admn.).

CABINET SECRETARIAT

(Cabinet Division)

Islamabad, the 25th May, 2021

No. PF.(1023)Admn-II.—With the approval of Cabinet Secretary, Hafiz Zafar Ali Malik, Senior Joint Secretary (Org-I) (BS-21), is assigned to hold additional charge of the post of Joint Secretary (Lit/Devo), Cabinet Division, with effect from 17th May, 2021 in addition to his own duties for a period of thirty (30) days, during the leave period of the officer.

No. PF.(1023)-Admn-II.—With the approval of Cabinet Secretary, Mr. Muhammad Akram, Joint Secretary (Lit/Devo) (BS-20), Cabinet Division has been granted thirty (30) days leave on full pay (LFP) on medical grounds, with effect from 17th May, 2021 to 15th June, 2021, under the Revised Leave Rules, 1980, subject to title.

On expiry of leave, the officer will resume his duties on the same post and station.

SARDAR MEHMOOD,
Section Officer (Admn-II).

(Establishment Division)

Islamabad, the 19th April, 2021

No. F. 39/1119/2021-E-I.—Rana Muhammad Aslam, a BS-20 officer of Secretariat Group, presently posted as Joint Secretary Economic Affairs Division, is transferred and posted as Joint Secretary, Commerce Division, with immediate effect and until further orders.

No. F. 39/1103/2021-E-I.—Mr. Muhammad Mureed Rahimoon, a BS-20 officer of Secretariat Group, presently posted as Joint Secretary, National Heritage & Culture Division, is transferred and his services are placed at the disposal of Government of Sindh, on deputation basis for a period of three (03) years, on standard terms and conditions, with immediate effect and until further orders.

No. F. 39/1115/2021-E-I.—Mr. Farooq Sultan Khattak, a BS-19 officer of Secretariat Group, presently at the disposal of Benazir Income Support Programme (BISP), KP Region, on deputation basis, is promoted to BS-20 in that Group, on regular basis, with effect from 26th February, 2021.

On promotion Mr. Farooq Sultan Khattak, is transferred and posted as Joint Secretary, Climate Change Division, until further orders.

This Division notification of even number, dated 26th February, 2021 is hereby withdrawn *ab-initio*.

No. F. 39/1132/2021-E-I.—Ms. Nabeela Umar, a BS-19 officer of Secretariat Group, presently posted as Director, National Vocational & Technical Training Commission (NAVTTTC), Regional Office, Karachi, under Wed Lock Policy, is promoted to BS-20 in that Group, on regular basis, with effect from 26th February, 2021.

On promotion Ms. Nabeela Umar, is posted as Director General, National Vocational & Technical Training Commission (NAVTTTC), Regional Office, Karachi on deputation basis for a period of three (03) years, on standard terms and conditions, until further orders.

This Division notification of even number, dated 26th February, 2021 is hereby withdrawn *ab-initio*.

No. F. 39/1120/2021-E-I.—Mir Afzal Khan, a BS-19 officer of Secretariat Group, presently posted at the disposal of Federal Board of Revenue (FBR), is promoted to BS-20 in that Group, on regular basis, with effect from 1st March, 2021.

On promotion Mir Afzal Khan, is transferred and posted as Joint Secretary, Federal Education & Professional Training Division, until further orders.

This Division notification of even number, dated 16th March, 2021 is hereby withdrawn *ab-initio*.

No. F. 39/1135/2021-E-I.—Mr. Sajjad Haider Yaldram, a BS-19 officer of Secretariat Group, presently posted as Deputy Secretary, Power Division, is promoted to BS-20 in that Group, on regular basis, with effect from 26th February, 2021.

On promotion Mr. Sajjad Haider Yaldram, is transferred and posted as Joint Secretary, National Health Services, Regulation & Coordination Division, until further orders.

This Division notification of even number, dated 26th February, 2021 is hereby withdrawn *ab-initio*.

No. 1-47/2011-E-2.—Rana Muhammad Yousaf Khan, a BS-19 officer of the Secretariat Group, presently posted as Deputy Secretary, Interior Division is transferred and posted as Deputy Secretary, Maritime Affairs Division, with immediate effect and until further orders.

No. 1-2/2014-E-2.—Mr. Abdul Jalil Khan, a BS-19 officer of the Secretariat Group, presently awaiting posting, Establishment Division is transferred and posted as Deputy Secretary, Interior Division, with immediate effect and until further orders.

No. 1-40/2019-E-2.—Mr. Amjad Mahmood Kayani, a BS-19 officer of the Secretariat Group, presently posted as

Deputy Secretary, Maritime Affairs Division is directed to report to Establishment Division, with immediate effect and until further orders.

No. F.1-39/2019-E-2.—The deputation period of Mr. Abdul Fattah Ujjan, a BS-19 officer of the Secretariat Group, presently at the disposal of Senate Secretariat, Islamabad is hereby extended for a further period of two years, with effect from 24th April, 2021.

On completion of his deputation period, the officer will stand repatriated to Establishment Division.

No. 1-7/2021-E-2.—Mr. Gul Zaman, a BS-18 officer of Office Management Group, presently posted as Section Officer, Poverty Alleviation and Social Safety Division, is appointed to BS-19, in the Secretariat Group, on acting charge basis, with effect from 29th March, 2021.

On appointment, Mr. Gul Zaman, is posted as Deputy Secretary, Human Rights Division, until further orders.

This Division notification of even number, dated 29th March, 2021 is hereby withdrawn *ab-initio*.

QURATULAIN FATIMA, *Ft. Lt. (R)*,
Deputy Secretary.

Islamabad, the 19th April, 2021

No. PF(1210)/E-5(PAS).—In partial modification of this Division's notification of even number, dated 20th November, 2020, Mr. Muhammad Umair, a BS-18 officer of Pakistan Administrative Service, presently posted under Government of Khyber Pukhtunkhawa, is transferred and his services are placed at the disposal of Prime Minister's Office, under Section 10 of the Civil Servants Act, 1973, from the date of joining and until further orders for further posting as PSO to the Prime Minister.

EJAZ AHMAD,
Section Officer.

Islamabad, the 19th April, 2021

No. 1/41/2013-E-6.—The Federal Government has been pleased to appoint Engr. Maqsood Anwar Khan, as Member, National Electric Power Regulatory Authority (NEPRA) under Cabinet Division, representing the Province of Khyber Pakhtunkhwa for a period of four (04) years, with immediate effect and until further orders.

SHEIKH MUHAMMAD UMAR FAROOQ,
Section Officer.

[BENAZIR INCOME SUPPORT PROGRAMME]

Islamabad, the 15th March, 2021

No. 2(1182)/BISP/HR/2016.—Mr. Alamgir, Assistant Private Secretary, Office of the Auditor General of Pakistan,

presently posted as Personal Assistant (SPS-16) BISP Divisional Office, Mardan KP Region, on deputation basis, is hereby repatriated to his parent department, with immediate effect, upon completion of five (5) years deputation period in BISP.

This issues with the approval of the Director General (Admin. & HR).

AKHTAR SAEED,
Director HR (Regions).

Islamabad, the 15th March, 2021

No. 1(614)/BISP/HR/KP/2015.—Mr. Waheed Ullah, Assistant Director (SPS-17), BISP Tehsil Office, Kandar Hassanzai, is hereby assigned additional charge of the post of Assistant Director (SPS-17), BISP Tehsil Office, Dassu / Kandia, with effect from 16th March, 2021, in addition to his own duties, for a period of three months or till posting of a regular incumbent of the post, whichever is earlier.

This issues with the approval of the Director General (Admin. & HR) BISP.

Islamabad, the 19th March, 2021

No. F.1(1015)/BISP/HR/BAL/2017.—Mr. Samiullah Khan, Assistant Director (SPS-17), Regional Office BISP Balochistan is hereby granted current charge of the vacant post of Deputy Director (Operations) (SPS-18), BISP Balochistan Region, for a period of three months, with effect from 2nd March, 2021, in addition to his own duties, or till appointment of a regular incumbent of the post, whichever is earlier.

This issues with the approval of the Director General (Admin. & HR), BISP.

MUHAMMAD AHMAD USMANI,
Deputy Director (HR-III).

Islamabad, the 15th March, 2021

No. F.1(950)/BISP/HR/2017.—In pursuance of Establishment Division's Notification No. 39/1125/2021-E-I, dated 26th February, 2021, Mr. Tariq Mahmood, Director General (SPS-20), presently posted in Benazir Income Support Programme (BISP), Islamabad on deputation basis, is hereby attached as Registrar of the "Commission of Inquiry on Broad-Sheet and other International Cases" with effect from 4th February, 2021.

MUHAMMAD SALEEM ULLAH,
Deputy Director (HR).
HQ Establishment.

Islamabad, the 16th March, 2021

No. F.1(828)/BISP/HR/16.—Consequent upon completion of five years deputation period, Mr. Muhammad Javed Afzal,

Assistant Audit Officer (BS-17), Office of the Auditor General of Pakistan, presently posted as Assistant Accounts Officer (SPS-17), BISP HQ, Islamabad on deputation basis, is hereby repatriated and relieved of his duties, with effect from 18th March, 2021 to join his parent department *i.e.* Office of the Auditor General of Pakistan, Islamabad.

WAQAS KHAN,
Admn. Officer (HR).
HQ Establishment.

WAFAQI MOHTASIB (OMBUDSMAN)'S SECRETARIAT

Islamabad, the 16th March, 2021

No. F. 1(770)A-II/2014.—Mr. Muhammad Sarwar Khan, Senior Private Secretary (BS-19), Wafaqi Mohtasib Secretariat, Head Office, Islamabad is hereby granted leave encashment of 365 days in lieu of leave preparatory to retirement (LPR) for the period from 1st April, 2021 to 31st March, 2022, subject to performance of duty during the entire period of LPR. The officer will retire from Government service on 31st March, 2022 after attaining the age of superannuation.

This issues with the approval of Secretary, WMS.

ABIDA SALEEM,
Assistant Director (Admn-II).

MINISTRY OF CLIMATE CHANGE

Islamabad, the 19th March, 2021

No. F. 1(14)/Admn-I/CC/2013.—Mr. Fayaz Ahmed, Deputy Director (Architect) (BS-18), Environment Wing, Ministry of Climate Change is granted seven hundred and seventeen (717) days study leave, with effect from 8th March, 2021 to 23rd February, 2023.

This issues with the approval of the Secretary, Ministry of Climate Change.

No. F. 1(144)/Admn-I/CC/2019.—Consequent upon his personal request read with Forest & Wildlife Department, Government of Sindh's Notification No. FT&WL(SO-I) 14(1)/2014, dated 9th June, 2020 and Rule 6(4) of Civil Servant Conferred) Rules, 1993, Mr. Mukhtiar Ali Mirbahar (BS-18) presently posted as Assistant Inspector Forest (AIG) BS-18, Ministry of Climate Change is reverted to his previous post Sub Divisional Forest Officer (BS-17), Forest & Wildlife Department, Government of Sindh, with immediate effect and without any lien in this Ministry.

DR. MUHAMMAD RIZWAN ASGHAR,
Section Officer (Admin-I).

MINISTRY OF COMMERCE

Islamabad, the 12th March, 2021

No. 7(66)/2015-Admn-I/MOC.—In pursuance of Ministry of Commerce's notification of even number, dated 22nd March, 2019, after availing 730 days *ex-Pakistan* leave on half average pay, with effect from 1st October, 2018 to 30th September, 2020, Mr. Arsalan Ahmed, a BS-19 officer of Commerce & Trade Group has assumed charge of the post of Deputy Secretary, Ministry of Commerce, Islamabad on 27th January, 2021. The officer's absence period, with effect from 1st October, 2020 to 26th January, 2021 will be regularized latter on.

Islamabad, the 16th March, 2021

No. 7(19)/2010-Admn-I/HR-I.—In pursuance of this Ministry's notification of even number, dated 15th February, 2021, after availing twenty one (21) day's leave on full pay, with effect from 25th January, 2021 to 14th February, 2021, Ms. Onsia Zafar a BS-19 officer of Commerce & Trade Group presently posted as Director, Ministry of Commerce, Islamabad has joined her duties on 15th February, 2021.

Islamabad, the 18th March, 2021

No. 7(2)/2020-HR-I.—In pursuance of Ministry's of Planning Development & Special Initiatives Notification No. 1(3)EG/HRM-II/PD/2017, dated 10th March, 2021, upon his promotion from BS-19 to BS-20, Mr. Ali Ahmed an officer of Economist Group presently posted as Deputy Chief, Ministry of Commerce, Islamabad has relinquished charge of the post of Deputy Chief (BS-19), Ministry of Commerce, Islamabad on 10th March, 2021.

Islamabad, the 19th March, 2021

No. 7(19)/2019-Admn-I/MoC.—In pursuance of this Ministry's notification of even number, dated 4th December, 2020. After availing ninety (90) day's leave on full pay, with effect from 7th December, 2020 to 6th March, 2021, Mr. Shehryar Amjad Qaisrani, a BS-17 officer of Commerce & Trade Group presently posted as Research Officer, Ministry of Commerce, Islamabad has resumed his duties on 7th March, 2021.

MUHAMMAD IMTIAZ,
Deputy Director (HR-I).

Islamabad, the 11th March, 2021

No. (30)TID/05-Admn/HR-II.—Consequent upon his request and with approval of the Joint Secretary (HRM), Mr. Muhammad Hafeez Hameed, Assistant Private Secretary (BS-16), Ministry of Commerce is granted seventeen (17) days leave on full pay, with effect from 15th March, 2021 to 31st March, 2021.

After expiry of above leave, he will resume duty on the same post. Further Mr. Tahir Ali Zaidi, Private Secretary is expected to resume his duty on 18th March, 2021 is posted as his replacement.

No. 3(1)/2021-Admn-I/HR-II.—With effect from 5th March, 2021 and until further orders, Mr. Muhammad Naeem, Superintendent (BS-16) has been assigned current charge to the post of Section Officer (Accounts/DDO) in the

Ministry of Commerce, Islamabad for a period of three (03) months or till posting of a regular officer, whichever is earlier.

This issues with the approval of Special Secretary Commerce.

MUHAMMAD ARSHID,
Deputy Director (HR-II).

Islamabad, the 11th March, 2021

No. 4(18)/80-Admn.III-CTG.—Mr. Muhammad Naseer, BS-20 officer of Commerce and Trade Group, has assumed the charge in Ministry of Commerce, Islamabad on 2nd September, 2020. In pursuance of Establishment Division Notification No. 1/341/2020-E-4, dated 19th January, 2021, Ministry of Commerce posted the officer in Intellectual Property Organization of Pakistan as Executive Director. The officer has assumed the charge of the post of Executive Director in IPO, Pakistan on 20th January, 2021. The intervening period from 3rd September, 2020 to 19th January, 2021 has been regularized as "Awaiting Posting" in Intellectual Property Organization of Pakistan, Islamabad for the purpose of pay and allowances.

This issues with the approval of the Secretary, Commerce Division.

SABIHA PARVEEN,
Deputy Director (CTG).

MINISTRY OF COMMUNICATIONS

Islamabad, the 16th March, 2021

No. F. 9-2/2018-PO-I.—In pursuance of approval of the Prime Minister of Pakistan duly conveyed by the Establishment Division, Cabinet Secretariat, Government of Pakistan, Islamabad's O.M. No. F. 15/04/2020-E-1, dated 16th March, 2021, the Secretary Ministry of Communications is pleased to approve the posting of Mr. Khalid Javed, Additional Director General, Pakistan Post Office Department, Islamabad (BS-21/Postal Group) at the disposal of National FATF Coordination Committee, in addition to his own duties, for a period of six months, with immediate effect.

ATA HUSSAIN SHAH,
Deputy Secretary (PO).

Islamabad, the 18th March, 2021

No. 1-8/2019-P.O-I.—In pursuance of approval of the competent authority (Prime Minister) conveyed by the Prime Minister's Office *vide* its U.O. No. 438/SPM/21, dated 18th March, 2021, Mr. Ejaz Ahmed Minhas (BS-22 / Postal Group), Additional Director General (Financial Services) Dte. General, Pakistan Post, Islamabad is hereby posted as Director General (BS-22), PPOD / Chairman, Pakistan Postal Services Management Board (PPSMB), Islamabad, with immediate effect till his date of superannuation *i.e.* 26th April, 2021.

ASKAR KHAN,
Section Officer (P.O-I).

DEPARTMENT OF THE AUDITOR GENERAL OF PAKISTAN

Islamabad, the 11th March, 2021

No. 21-Dir(A)/2-3/21.—The Auditor General of Pakistan has been pleased to order postings/transfers of following officers of the Pakistan Audit & Accounts Service, in the public interest, with immediate effect and until further orders :-

S. No.	Name of Officers (M/s)	From	To	Remarks
1.	Shah Rahman BS-20 / PA&AS	Controller Military Accounts (PC), Peshawar.	Director General District Audit, KPK, Peshawar.	Against a vacant post.
2.	Sami Ullah Khan BS-20 / PA&AS	Repatriation from deputation as Director, National Accountability Bureau (NAB), Islamabad.	Chief Finance & Accounts Officer, Information Technology & Telecommunication Division, Islamabad.	Vice Sr. No. 3 Subject to notification from Establishment Division.
3.	Muhammad Saeed Tiwana BS-20 / PA&AS	Chief Finance & Accounts Officer, Information Technology & Telecommunication Division, Islamabad.	Controller Military Accounts (PC), Peshawar.	Vice Sr. No. 1 Subject to notification from Establishment Division.

MUHAMMAD TAYYAB,
Director (Admn.).

Islamabad, the 11th March, 2021

Islamabad, the 12th March, 2021

No. 496/PAAS-I/62-2005 (621).—Mr. Shahzad Iqbal Rana, a BS-20 officer of the Pakistan Audit & Accounts Service has relinquished charge of the post of Director General, PAW, Lahore on 18th February, 2021 and assumed the charge of the post of Director General Audit, Inland Revenue & Customs, Lahore on same date, in pursuance of Auditor General of Pakistan Office Notification No. 06-Dir(A)/2-3/21, dated 9th February, 2021.

No. 495/PAAS-I/26-2006-II (687).—Consequent upon repatriation from Poverty Alleviation and Social Safety Division, Islamabad, Malik Ziauddin Kasi, a BS-20 officer of the Pakistan Audit & Accounts Service has joined office of the Auditor-General of Pakistan, Islamabad on 23rd December, 2020 and subsequently assumed charge of the post of Director General (F&I), Islamabad on 1st March, 2021 in pursuance of Auditor-General of Pakistan Office Notification No. 11-Dir(A)/2-3/21, dated 22nd February, 2021.

No. 494/PAAS-I/1-2012 (831).—Mr. Muhammad Kamran Khan, a BS-19 officer of the Pakistan Audit & Accounts Service has relinquished the charge of the post of Additional Accountant General Sindh, Karachi on 19th February, 2021 and assumed the charge of the post of Director, Commercial Audit, Karachi on same date, in pursuance of Auditor General of Pakistan Office Notification No. 06-Dir(A)/2-3/21, dated 9th February, 2021.

No. 497/PAAS-I/14-2009-II (751).—Ms. Ambreen Fatima Malik, a BS-19 officer of Pakistan Audit & Accounts Service, previously awaiting posting has assumed charge of the post of Director (Federal Audit), in office of the Directorate General Audit (Federal Government), Islamabad on 29th January, 2021, in pursuance of Auditor General of Pakistan Letter No. 05-Dir(A)/2-4/21, dated 29th January, 2021, after completion of 28th SMC.

No. 148/PAAS-I/20-2014.—Consequent upon posting / transfer *vide* Office of the Auditor General of Pakistan, Islamabad's Notification No. 10-Dir(A-II)/2-(5/6)/2020-II, dated 26th February, 2021, Mr. Shakir Abbas, a BS-18 officer of Pakistan Audit & Accounts Service, has relinquished the charge of the post of Deputy Controller in Office of the Controller Military Accounts (Multan Command), Multan on 10th March, 2021 and assumed the charge of the post of Deputy Director in Office of the Director General Audit Punjab, (Sub-Office), Multan on the same date.

Islamabad, the 15th March, 2021

No. 498/PAAS-I/09-97-II (520).—Mr. Ghulam Muhammad Memon a BS-22 PA&AS officer has relinquished the charge of the post of Additional Auditor General-II and assumed the charge of the post of Additional Auditor General-I in the Office of the Auditor General of Pakistan, Islamabad on 11th March, 2021 in pursuance of Auditor General of Pakistan Islamabad Notification No. 18-Dir(A)/2-1/20, dated 5th March, 2021.

No. 504/PAAS-I/91-88 (495).—Mr. Farrukh Ahmad Hamidi a BS-22 officer of Pakistan Audit & Accounts Service has relinquished the charge of the post of Additional Auditor General-I/Principal Accounting Officer in the office of the Auditor-General of Pakistan, Islamabad, on 11th March, 2021 in pursuance of Auditor-General of Pakistan Islamabad Notification No. 18-Dir(A)/2-1/20, dated 5th March, 2021.

No. 499/PAAS-I/57-2002(610).—Mr. Tariq Bashir Chatta, a BS-20 officer of Pakistan Audit & Accounts Service, has relinquished charge of the post of Director General (Policy) on 22nd February, 2021 and assumed charge of the post of Director General (B&A), in office of the Auditor General of Pakistan, Islamabad on 8th March, 2021, in pursuance of Auditor General of Pakistan Office Notification No. 19-Dir(A)/2-2/21, dated 5th March, 2020.

The period from 23rd February, 2021 to 7th March, 2021 (13 days) may be treated as duty.

No. 500/PAAS-I/16-2006(688).—Ms. Ayesha Siddiq, a BS-20 officer of the Pakistan Audit & Accounts Service has relinquished charge of the post of Director General Audit, District Government (North), Lahore on 1st March, 2021 and assumed the charge of the post of FA&CAO/M&S, Pakistan Railways, Lahore on same date, in pursuance of Auditor General of Pakistan Office Notification No. 10-Dir(A)/2-3/21, dated 19th February, 2021.

No. 501/PAAS-I/56-2007(719).—Sheikh Muhammad Nadeem Amjad, a BS-20 officer of the Pakistan Audit & Accounts Service has relinquished charge of the post of Financial Adviser & Chief Accounts Officer (M&S), in Pakistan Railways, Lahore on 1st March, 2021 and assumed the charge of the post of Directorate General in the office of the Director General Audit, District Government, Punjab (North), Lahore on same date, in pursuance of Auditor General of Pakistan Islamabad Notification No. 10-Dir(A)/2-3/21, dated 19th February, 2021.

No. 503/PAAS-I/11-2011 (812).—Mr. Asif Iqbal Asif, a BS-19 officer of the Pakistan Audit & Accounts Service, has assumed the charge of the post of Director Audit, in the Office of the Directorate General Audit, Federal Government, Islamabad on 26th February, 2021 in pursuance of Auditor-General of Pakistan Office Notification No. 16-Dir(A)/2-3/21, dated 26th February, 2021.

No. 505/PAAS-I/07-2014(881).—Ms. Saima Mustansar, a BS-19 officer of the Pakistan Audit & Accounts Service, has joined Auditor General of Pakistan, Islamabad on 9th March, 2021, after availing 120 days leave on full pay (LFP)

in pursuance of Auditor-General of Pakistan Office Letter No. 254/PAAS-I/07-2014 (881), dated 3rd November, 2020.

AMMARA YUNUS,
Assistant Auditor General (PA&AS).

[OFFICE OF THE CONTROLLER GENERAL OF ACCOUNTS]

Islamabad, the 11th March, 2021

No. 243/CGA/Admn-I/01-172/2021.—In pursuance of office Finance Division Notification No. F.2(1)Exp-II/2007, dated 11th March, 2021, Mr. Farrukh Ahmad Hamidi, a BS-22 officer of Pakistan Audit & Accounts Service (PA&AS), has assumed the charge of the post of Controller General of Accounts in this office on 11th March, 2021.

No. 250/CGA/Admn-I/01-168/2020.—In pursuance of office of the Auditor General of Pakistan Notification No. 17-Dir(A)/1-2/P-20&21/CSB/2020, dated 5th March, 2021, Mr. Bilal Majeed, has assumed the charge of the post of Deputy CGA (Admin.) in BS-21 on his regular promotion in this office on 5th March, 2021.

No. 244/CGA/Admn-I/07-27/2021.—In pursuance of office of the Auditor General of Pakistan Notification No. 166/Estt./1-C/2019, dated 5th March, 2021, Mr. Muhammad Hanif, (SPS/BS-19), has assumed the charge of the post of Senior Private Secretary in this office on 10th March, 2021.

No. 256/CGA/Admn/35-1/2021 (05).—In pursuance of Section-13 of Civil Servants Act, 1973, Mr. Muhammad Arshad Asim, Accounts Officer (BS-18), of office of the DBA Pak PWD, Islamabad, on attaining the age of superannuation shall stand retired from Government service, with effect from 1st March, 2022 (his date of birth 1st March, 1962).

No. 263/CGA/Admn/29-2/2021 (50).—In pursuance of Section-13 of Civil Servants Act, 1973, Mr. Ghulam Qadir, Divisional Accounts Officer (BS-17), of office of the Accountant General Khyber Pakhtunkhawa, Peshawar, on attaining the age of superannuation shall stand retired from Government service, with effect from 1st April, 2021 (his date of birth 1st April, 1961).

No. 259/CGA/Admn-I/4-7/2002.—In pursuance of Section-13 of Civil Servants Act, 1973, Ms. Nasreen Jahan, Assistant Accounts Officer (BS-17), Office of the Controller General of Accounts, Islamabad shall stand retired from Government service, with effect from 18th September, 2021 (her date of birth is 18th September, 1961).

Islamabad, the 12th March, 2021

No. 585/CGA/PAAS/1-14/2017.—Subsequent upon the Auditor General of Pakistan Notifications No. 17-Dir(A)/1-2/P-20&21/CSB/2020, dated 5th March, 2021 and No. 19-Dir(A)/2-2/21, dated 5th March, 2021, the Controller General of Accounts has been pleased to endorse the following postings / transfers orders of following PA&AS officers on their promotion from same date :

S. No.	Name (M/s)	From	To
1.	Bilal Majeed	Deputy Controller General of Accounts (Admn), CGA Office, Islamabad (OPS).	Deputy Controller General of Accounts (Admn), CGA Office, Islamabad.
2.	Khurram Reza Qureshi	Deputy Controller General of Accounts (FABs), CGA Office, Islamabad.	Deputy Auditor General (QAIM), AGP Office, Islamabad.
3.	Muhammad Asaf Khan	Director General (Admn), CGA Office, Islamabad.	Director General (Accounts), CGA Office, Islamabad.
4.	Babur Aziz Baig	Director General (B&A), AGP Office, Islamabad.	Director General (Admn), CGA Office, Islamabad.
5.	Shahzad Hassan	Director General (Accounts), CGA Office, Islamabad.	Deputy Controller General of Accounts (FABs), CGA Office, Islamabad (OPS).

No. 275/CGA/Admn/36-2/2021 (59).—In pursuance of Section-13 of Civil Servants Act, 1973, Mr. Muhammad Zulqarnain Anjum, Divisional Accounts Officer (BS-17), of office of the DG Accounts Works, Lahore on attaining the age of superannuation shall stand retired from Government service, with effect from 4th May, 2021 (his date of birth 4th May, 1961).

JIBRAN KHAN DURRANI,
Asstt. Controller General of Accounts (Admn.).

ELECTION COMMISSION OF PAKISTAN

Islamabad, the 15th March, 2021

No. F.8(60)/2018-Estt-II.—In pursuance of this Commission's Notification No. F.3(1)/2021-Estt-I, dated 13th January, 2021, Mr. Zafar Iqbal has relinquished the charge of the post of Election Officer (BS-17), in the office of the DEC, Zhob in the afternoon of 18th January, 2021 and assumed the charge of the post of Election Officer (BS-17), in the office of the DEC, Chiniot in the forenoon of 25th January, 2021.

BASIL AKRAM,
Deputy Director (Estt-II).

Islamabad, the 15th March, 2021

No. F.3(1)/2021-Estt-I.—In pursuance of this Commission's Notification No. F.3(1)/2021-Estt-I (2), dated 5th March, 2021, Mr. Nadeem Qasim, a BS-19 officer of Election Commission of Pakistan, relinquished the charge of the post of Director (Electoral Rolls), in this office in forenoon of 9th March, 2021 and assumed the charge of the post of Director/Financial Analyst (Political Finance), at same place in afternoon of the same date.

No. F.3(1)/2021-Estt-I.—In pursuance of this Commission's Notification No. F.3(1)/2021-Estt-I (2), dated 5th March, 2021, Mr. Asif Ali Yasin, a BS-19 officer of Election Commission of Pakistan, relinquished the charge of the post of Deputy Director (Elections-I-BS-18), in this office in the forenoon of 9th March, 2021 and upon promotion assumed the charge of the post of Director (Electoral Rolls-BS-19), at same place in afternoon of the same day.

IMRAN ZAFAR,
Deputy Director (Estt-I).

[OFFICE OF THE PROVINCIAL ELECTION COMMISSIONER
(SINDH)]

Karachi, the 15th March, 2021

No. F. 27(2)/2000-Estt-PEC(S).—In pursuance of this office Notification No. F.30(26)/2013-Estt-PEC(S), dated

24th February, 2021, Kanwar Shujat Ali, Election Officer, relinquished the charge of the post of Election Officer, Umerkot in the office of the DEC, Umerkot on 26th February, 2021 and assumed the charge of the post of Election Officer, Jamshoro in the office of the DEC, Jamshoro on 26th February, 2021.

NIAZ AHMAD,
Deputy Director (Sindh).

MINISTRY OF ENERGY

(Petroleum Division)

[POLICY WING]

Islamabad, the 19th March, 2021

No. PW-3(142)/2018-Admin.—Mr. Muhammad Hassaan Bhatti, Assistant Director (Tech/BS-17), Directorate General (LGs), Policy Wing, Petroleum Division, Ministry of Energy is granted twelve (12) days L.F.P. with effect from 22nd March, 2021 to 2nd April, 2021.

This issues with the approval of the Senior Joint Secretary, Petroleum Division.

KHALID MANSOOR,
Deputy Director (Admin.).

MINISTRY OF FEDERAL EDUCATION &
PROFESSIONAL TRAINING

Islamabad, the 12th March, 2021

No. 4-(5)/2015-NCC/RE.—In exercise of the powers conferred under The Federal Supervision of Curricula, Textbooks and Maintenance of Standards of Education Act, 1976, the standard operating procedure for the printing and publication of textbooks is being issued as follows :

1. OBJECTIVES :

- i. To ensure that the textbooks do not contain any hate material against any community, faith, the ideology of Pakistan and there is nothing against Islamic injunctions of life.
- ii. To align the content of textbooks with the Student Learning Objectives (SLOs) detailed in the Single National Curriculum (SNC).
- iii. To ensure that the textbooks produced are responsive to the needs of 21st century learning standards, and promote values of peace, tolerance, harmony, and civic responsibility.

2. SELECTION OF REVIEWERS :

There shall be a review committee comprising of experts to ensure that textbooks are in compliance with SNC Objectives.

- The National Curriculum Council (NCC) Secretariat, in consultation with the Federal Directorate of Education (FDE), the Federal Governmental Educational Institutes (FGEI's), and the Higher Education Commission (HEC), will notify a wide pool of expert reviewers, including subject experts, teachers, university professors, education experts and private sector experts. The pool will have an appropriate number of experts from women and minorities. This pool will be uploaded on the web-site of the Ministry.
- The private publishers will be free to choose the required number of experts for the review of their publications, within a given time frame. They will directly approach the reviewers and co-ordinate meeting schedules. The publishers may approach the NCC if there is any difficulty in coordinating with the reviewers.

3. COMPOSITION OF REVIEW COMMITTEES :

- The NCC will devise an eligibility standard to ensure the quality of reviewers in the panel, after receiving acknowledgment of their willingness to be part of the review process.
- The review committee for the primary level shall comprise of the following :
 - i. one teacher from schools teaching the subject at the relevant grade level.
 - ii. one subject specialist / senior elementary teacher, from FDE/FGEI (Federal Government Educational Institute).
 - iii. one education and curriculum specialist.
 - iv. one minority / gender specialist.

4. RECORDING OF REVIEW PROCESS :

- The review committee will be required to record the minutes of each meeting, along with detailed explanations of their reasons for denying or recommending each case for improvement or publication.
- The publishers will be required to inform the NCC regarding each meeting time, venue and the names of experts and will submit all meeting records thereof.
- The review committee may ask for a second review meeting with the publisher for want of any improvement in content. No more than two meetings may be held before the issuance of the final certificate.

5. CERTIFICATE OF REVIEW :

- The review committee will issue a certificate duly signed by every member, which will be printed on the first page of every textbook. The sample of the certificate will be provided by the NCC in consultation with the Ministry.
- As soon as the certificate is issued, the publisher will deposit it with the NCC.

6. VALIDATION BY RAPID ASSESSMENT COMMITTEE :

- Within three days of the receipt of the review certificate, NCC will constitute a three-member Rapid Assessment Committee of expert;
- The committee will carry out a rapid critical assessment of the quality of the first review within a period of 5-7 days.
- The recommendations of the Rapid Assessment Committee will be treated as final for the publisher.
- The publishers will not require any other NOC from any organization, and they will be at liberty to publish their books.

7. FUNCTION OF REVIEW AND ASSESSMENT COMMITTEES :

- The review committees must ensure that all textbooks be evaluated on the following standard:
 - i. Quality of Content, Language, and Logical Organization.
 - ii. Quality and Support for Instruction.
 - iii. Presentation and Design.
 - iv. Assessment : Opportunities for checking learning (formal and informal).
 - v. Originality, Sensitivity, and Creativity.
 - vi. Compliance and Conformity with local context (Culture and Values System) and International commitments.
 - vii. Conformity with Social, Ethical, Religious, National, and Democratic Values.

8. RESPONSIBILITY OF COST OF REVIEW :

- The publisher will pay the consulting cost directly to the reviewers under a written agreement. The publisher will also be responsible for any ancillary costs incurred for the meetings.
- For Rapid Assessment, the publisher is not required to pay any expense.

9. COMPLAINT REDRESSAL :

- In case of any complaint received from any quarter regarding the quality and relevance of content, the Ministry may constitute a special review committee to examine and scrutinize the complaint after listening to both of the parties. Such a special review committee will be constituted on a case-to-case basis, keeping in view the nature of the complaint. The decision of the committee will be binding upon the publisher.
- The publishers may also lodge a complaint with the Ministry regarding the delay and fairness (or otherwise) of the review process.
- The Ministry will nominate a focal person for complaint redressing.

10. REVIEW STANDARDS AND GUIDELINES :

- The NCC will issue detailed guidelines for the reviewers to enable the review process to be conducted in a fair and transparent manner, in line with the objectives of the SNC.
- Private schools will have autonomy to choose the textbooks, duly approved by the review and rapid assessment committees, suited to their needs.

11. POST-PUBLICATION REVIEW :

- Publishers will also submit 12 copies of each publication to the NCC for post-publication review.
- NCC will perform a post-publication desk review and intimate the Ministry if any special review committee needs to be constituted with regards to a particular publication.

12. PUBLICATION OF SUPPLEMENTARY READING MATERIALS :

- For publication of any supplementary reading material, no reviews are required and the entire responsibility of such material rests with the publisher.

13. ITEMS OF SPECIAL CONSIDERATION :

- The publishers are further directed to ensure that the following government directions are adhered to :
 - i. The writing of the name of Hazrat Muhammad as

"حضرت محمد رسول اللہ خاتم النبیین صلی اللہ علیہ وعلیٰ آلہ واصحابہ وسلم"

- ii. The use of authentic maps of Pakistan duly approved by Survey of Pakistan.

MOHYUDDIN AHMAD WANI,
Additional Secretary.

MINISTRY OF FINANCE, REVENUE AND ECONOMIC
AFFAIRS

(Finance Division)

[HRM WING]

Islamabad, the 1st July, 2020

No. PF.2(131)HR-I/2018.—Dr. Ahmed Mujtaba Memon, Additional Secretary, Finance Division, Islamabad is granted twenty seven (27) days leave *ex-Pakistan* on full pay from 3rd to 29th July, 2020 (sufficing Eid-ul-Azha holidays), subject to title.

ABDUL WAHEED MEMON,
Deputy Secretary (HR).

Islamabad, the 2nd July, 2020

No. PF.5(750)HR-I/2019.—After expiry of ninety one (91) days leave on full pay from 1st April to 30th June, 2020, granted *vide* this Division's notification of even number, dated 24th February, 2020 & 30th April, 2020, Ms. Zill-e-Humma, Section Officer, Finance Division, Islamabad has assumed the charge of her post on 1st July, 2020.

Islamabad, the 22nd July, 2020

No. PF.5(699)HR-I/2014.—In exercise of powers conferred *vide* Establishment Division's O.M. No. 1/21/76-AR-I/R-II, dated 18th June, 1980 as amended *vide* O.M. No. 1/17/2000-R-2, dated 21st November, 2000 and with the approval of the competent authority, Mr. Farooq Ghani, Section Officer (BS-18/Fiscal Operation-I), Finance Division has been appointed as Deputy Secretary (Budget-II), Finance Division on current charge basis in addition to his own duties, with immediate effect for a period of three months or till the posting of regular officer, whichever is earlier.

He will draw pay in his own pay scale *plus* equal to 20% of his basic pay, subject to maximum of Rs. 12,000/- p.m. in terms of FR-35 and proviso to Section-17 of the Civil Servants Act, 1973 and Finance Division's O.M. No. F.1(2)Imp/2016-333; dated 1st July, 2016.

The earlier current charge assigned to Mr. Farooq Ghani, Section Officer against the post of Deputy Secretary (Fiscal Operation) is hereby discontinued with immediate effect.

Islamabad, the 6th August, 2020

No. PF.5(727)HR-I/2016.—In pursuance of Establishment Division's Notification No. F.8/3/2019-E-VII, dated 2nd January, 2020, Ms. Sonia Nawaz has relinquished charge of the post of Section Officer (BS-18, Acting Charge), Finance Division, Islamabad on 6th August, 2020.

Islamabad, the 10th August, 2020

No. PF.5(761)HR-I/2020.—In pursuance of Establishment Division's Notification No. F. 8/3/2019-E-VII, dated 2nd January, 2020, Ms. Iqra Anum a BS-18 officer of Office Management Group has assumed the charge of the post of Section Officer, Finance Division on 20th July, 2020.

No. PF.5(760)HR-I/2020.—In pursuance of Establishment Division's Notification No. F. 8/3/2019-E-VII, dated 29th January, 2020, Mr. Muhammad Umair a BS-18 officer of Office Management Group has assumed the charge of the post of Section Officer, Finance Division on 17th July, 2020.

No. F.1(3)HR-I/2020-Vol-II.—In pursuance of Establishment Division's Notification No. F.6/2/2019-E-VII, dated 27th July, 2020 and 30th July, 2020, following BS-17 officers of Office Management Group have assumed the charge of the post of Section Officer, Finance Division, with effect from 3rd August, 2020 :-

S. No.	Name of Section Officers
1.	Ms. Sania Akram Khan
2.	Ms. Mariya Farheen
3.	Mr. Abdullah Khan
4.	Ms. Amina Tahir
5.	Mr. Muhammad Siddiq
6.	Ms. Sidra Khan
7.	Syed Muhammad Zuhair Jafar
8.	Ms. Zeenat Tariq
9.	Mr. Shahab uddin
10.	Ms. Sadia Pirzada

Islamabad, the 11th August, 2020

No. PF.2(131)HR-I/2018.—In continuation of this Division's notification of even number, dated 1st July, 2020, Dr. Ahmed Mujtaba Memon, Additional Secretary, Finance Division, Islamabad is granted extension of twelve (12) days leave *ex-Pakistan* on full pay from 30th July to 10th August, 2020, subject to title.

No. PF.7(87)HR-I/2012.—Mr. Waseem Ahmed, Senior Private Secretary (BS-19), Finance Division, Islamabad shall stand retired from Government service on attaining the age of superannuation on 7th February, 2021 (His date of birth is 8th February, 1961).

Islamabad, the 26th August, 2020

No. PF.2(139)HR-I/2020.—In pursuance of Establishment Division's Notification No. PF(737)/E-5(PAS), dated 18th August, 2020, Mr. Imdadullah Bosal, a BS-21 officer of Pakistan Administrative Service, has assumed charge of the post of Additional Secretary (BS-21), Finance Division, Islamabad on 26th August, 2020.

DR. UMAR JAWAID,
Section Officer (HR-I).

(Revenue Division)

Islamabad, the 22nd March, 2021

No. 6(36)/2020-Admn.—In supersession of this Division's notification of even number, dated 29th July, 2020. In terms of Rule-4 of the Civil Servants (Directory Retirement from Service) Rules, 2020, the competent authority has been pleased to constitute the following "Directory Retirement Committee" in Revenue Division to deal with cases of the Civil Servants BS-16 and below :-

Retirement Committee for Civil Servants BPS-16 and below

- | | | |
|----|---|-------------|
| a) | Joint Secretary, Revenue Division | Chairperson |
| b) | Representative of Establishment Division not below BPS-19. | Member |
| c) | Representative of Finance Division not below BPS-19. | Member |
| d) | Mr. Muhammad Israr, Additional Draftsman (BS-20), Law & Justice Division. | Member |
| e) | Head of the Department or office concerned, other than a Division. | Member |
| f) | Deputy Secretary (Admn), Revenue Division. | Member |

2. The functions and mandate of the retirement committees are defined in the Civil Servants (Directory Retirement from Service) Rules, 2020.

MADEEHA KHATTAK,
Section Officer (Admn.).

[FEDERAL BOARD OF REVENUE]

Islamabad, the 13th January, 2021

Subject : Constitution of Departmental Promotion Committee No. 1.

No. C.1(1)Misc.Chief (Mgt-IR)/2020/6268-R.—In supersession to this office earlier Notification No. C. 1(1)Misc.Chief(MGT-IR)/2020/148559-R, dated 9th September, 2020, on the subject, pursuant to Rule-4 of the

Civil Servants (Appointment, Promotion and Transfer) Rules - 1973, the following Departmental Promotion Committee (DPC) No. I is hereby constituted with the approval of competent authority *i.e.* Secretary Revenue Division / Chairman, FBR for making recommendations to the appointing authority for promotions of officers from B-17 to B-18 of Inland Revenue Service (IRS), Ex-Cadre officers of FBR and officials of FBR from B-16 to B-17.

- | | | |
|------|---|--------------------|
| i. | Member (Admn./HR)/BS-21 | Chairman |
| ii. | Chief HRM-IR/BS-20 | Member |
| iii. | Chief (IR-Ops.)/BS-20 | Member |
| iv. | Secretary HRM-IR concerned/
BS-18/BS-19. | Secretary |
| v. | Secretary Legal-HR concerned | Co-opted
Member |

2. The above Departmental Promotion Committee is constituted with the concurrence of Establishment Division conveyed *vide* No. 13/16/2015-R-IV, dated 3rd September, 2020.

EJAZ AHMAD BAJWA,
Chief (HRM-IR).

Islamabad, the 1st January, 2021

No. 0001-IR-IV/2021.—On attaining the age of superannuation Mr. Abid Hussain, Office Superintendent (BS-16), Regional Tax Office, Sialkot stood retired from Government Service, with effect from 22nd December, 2020.

Islamabad, the 8th January, 2021

No. 0051-IR-IV/2021.—After completion of 36 years qualifying service for pension and in exercise of his option for premature retirement, Mr. Khurshid Alam, Inland Revenue Officer (BS-16), Regional Tax Office, Faisalabad (Date of Birth 23rd April, 1962) is allowed to proceed on retirement from Government Service, with effect from 10th June, 2021.

No. 0060-IR-IV/2021.—Mr. Muhammad Saeed ur Rehman (Personnel No. 50014638), Superintendent (BS-16), Federal Board of Revenue (HQ), Islamabad is granted 15 days Rest & Recreation leave, with effect from 28th December, 2020 to 11th January, 2021.

He will be entitled to draw Performance Allowance FBR, if already drawing, during the leave period as per standing instructions on the subject of IJP.

This issues with the approval of Chief (HRM-IR), FBR.

Islamabad, the 12th January, 2021

No. 0081-IR-IV/2021.—In pursuance of Board's Notification No. 2558-IR-IV/2020, dated 23rd November, 2020, Mr. Muhammad Tariq Zia Awan, Assistant Private Secretary (BS-16), has relinquished the charge of the post of Assistant Private Secretary (BS-16), Federal Board of Revenue (HQ), Islamabad, with effect from 11th January, 2021 and assumed the charge of the post of Private Secretary (BS-17), Federal Board of Revenue (HQ), Islamabad on the same date.

Islamabad, the 18th January, 2021

No. 0114-IR-IV/2021.—In pursuance of Board's Notification No. 0097-IR-IV/2021, dated 13th January, 2021, S. Tahir Hussain, Superintendent (BS-17), has relinquished the charge of the post of Superintendent (BS-17), Federal Board of Revenue (HQ), Islamabad, with effect from 13th January, 2021 and assumed the charge of the post of Second Secretary (*Ex-Cadre*/BS-17), Federal Board of Revenue (HQ), Islamabad on the same date.

SARDAR OMER SHARIF,
Secretary (HRM-IR-IV).

MINISTRY OF FOREIGN AFFAIRS

Islamabad, the 8th January, 2021

No. Estt.(IV)-5/6/2007.—Consequent upon his transfer from the Ministry of Foreign Affairs, Islamabad to Embassy of Pakistan, Berlin, Mr. Arshad Ali Jatoi, relinquished the charge of the post of Assistant Private Secretary (BPS-16), in the Ministry of Foreign Affairs, Islamabad on 14th November, 2020 and assumed charge of the post of Assistant Private Secretary (BPS-16), in the Embassy of Pakistan, Berlin on 22nd November, 2020 (FN).

Islamabad, the 14th January, 2021

No. Estt.(IV)-5/5/2013.—Consequent upon his transfer from the Ministry of Foreign Affairs, Islamabad Mr. Muhammad Afzal Ashraf, relinquished the charge of the post of Assistant Private Secretary (BPS-16), in the afternoon of January 4, 2021 and assumed charge of the post of Assistant Private Secretary (BPS-16), in the High Commission of Pakistan London, in the forenoon of January 12, 2021.

Islamabad, the 18th January, 2021

No. Estt.(IV)-5/11/2007.—Consequent upon his transfer from Parep Sarajevo to the Ministry of Foreign Affairs, Islamabad Mr. Ghulam Mehdi, Assistant Private Secretary, relinquished the charge of the post of Assistant Private Secretary (BPS-16) at Parep Sarajevo, in the afternoon of December 31, 2020 and assumed charge of the post of Assistant Private Secretary (BPS-16), in the Ministry in the forenoon of January 08, 2021.

Islamabad, the 19th January, 2021

No. Estt.(IV)-15/7/2017.—Consequent upon his transfer from the Ministry of Foreign Affairs, Islamabad to the Embassy of Pakistan, Kabul, Mr. Nasir Hussain relinquished the charge of the post of Assistant Private Secretary (BS-16), in the Ministry in the afternoon of 15th January, 2021 and assumed the charge of the same post in the Embassy in the forenoon of 6th January, 2021.

Islamabad, the 25th January, 2021

No. Estt.(IV)-6/41/2010.—Consequent upon his transfer from the Ministry of Foreign Affairs, Islamabad to the Consulate General of Pakistan, Frankfurt, Mr. Tanveer Ahmed Jan, who was temporarily promoted as Assistant Private Secretary (BS-16), has relinquished the charge of temporary APS in the afternoon of January 15, 2021 and joined his duty as Stenotypist (BPS-14), in the Ministry of Foreign Affairs, Islamabad, on the same day.

No. Estt.(IV)-5/14/2010.—Consequent upon his transfer from the Ministry of Foreign Affairs, Islamabad, Mr. Abdul Sattar, relinquished the charge of the post of Assistant Private Secretary (BS-16), in the afternoon of January 7, 2021 and assumed charge of the post of Assistant Private Secretary (BPS-16), in the Consulate General of Pakistan, Jeddah, in the forenoon of January 17, 2021.

Islamabad, the 26th January, 2021

No. Estt.(IV)-5/6/2020.—In continuation of Ministry's Office Order No. Estt.(IV)-5/6/2020, dated 8th October, 2020, consequent upon his 13 days leave on full pay, with effect from 11th September, 2020 to 23rd September, 2020, Mr. Mansoor Ahmed, relinquished the charge of the post of Assistant Private Secretary (BPS-16) on 11th September, 2020 and assumed charge of the post of Assistant Private Secretary (BPS-16) in the Ministry of Foreign Affairs on 24th September, 2020 (F.N) upon completion of his leave.

MARIAM BUGTI,
Deputy Director Estt. (IV).

Islamabad, the 7th January, 2021

No. Estt.(V)-6/10/93.—Consequent upon his up-gradation from Superintendent BS-16 to Superintendent BS-17, Mr. Fakhruddin, Superintendent (BS-16) has relinquished charge of the post of Superintendent (BS-16), in the afternoon of 23rd July, 2020 and assumed the charge of the post of Superintendent (BS-17), in the forenoon of 24th July, 2020 in the Ministry of Foreign Affairs, Islamabad.

No. Estt.(V)-6/10/1993.—Consequent upon his transfer from Embassy of Pakistan, Jakarta, Mr. Fakhruddin, Superintendent was relinquished the charge of the post of Superintendent in the Mission on 21st December, 2020 and assumed the charge of the post of Superintendent (BS-17) on 29th December, 2020 in the Ministry of Foreign Affairs, Islamabad.

No. Estt.(V)-6/10/1993.—Consequent upon attaining the age of superannuation, Mr. Fakhruddin, will stand retired from Government Service as Superintendent (BS-17), with effect from the afternoon of 30th December, 2020.

Islamabad, the 18th January, 2021

No. Estt.(V)-6/1/85.—Consequent upon his transfer from the Ministry of Foreign Affairs to the Embassy of Pakistan, Jakarta, Syed Aziz ur Rahman, relinquished the charge of the post of Superintendent (BS-17) on 24th December, 2020 and assumed charge of the post of Superintendent (BPS-17), in the High Commission for Pakistan, London on 1st January, 2021.

Islamabad, the 20th January, 2021

No. Estt.(V)-6/1/85.—In supersession of Office Order of even number, dated 18th January, 2021 and consequent upon his transfer from the Ministry of Foreign Affairs to the Embassy of Pakistan, Jakarta, Syed Aziz ur Rahman, relinquished the charge of the post of Superintendent (BS-17) on 24th December, 2020 and assumed charge of the post of Superintendent (BPS-17), in the Embassy of Pakistan, Jakarta on 1st January, 2021.

SAFDAR ALI KHAN,
Deputy Director (Estt-V).

Islamabad, the 1st January, 2021

No. Estt.(I)-8/69/2018.—Consequent upon completion of Arabic Language Training Course at Amman, Mr. Ijaz Hussain relinquished the charge of the post of OSD/Third Secretary (BPS-17), in the Embassy of Pakistan, Amman on 15th September, 2020 and assumed charge of the post of Assistant Director (BS-17), in the Ministry of Foreign Affairs, Islamabad on 16th September, 2020.

This is in continuation of this Ministry's earlier notification of even number, dated 17th September, 2020.

No. Estt.(III)-49/11/2015.—Consequent upon his repatriation from Ministry of Foreign Affairs to Office of the Auditor General of Pakistan, Islamabad, Mr. Muhammad Rafi relinquished the charge of the post of Deputy Director (BS-17), in the Ministry of Foreign Affairs, Islamabad on 1st January, 2021.

Islamabad, the 7th January, 2021

No. Estt.(I)-1/108/2002.—Consequent upon his transfer back to the Headquarters from Pahic Canberra, Mr. Aamer Ahmed Atozai, assumed charge of the post of Director (BS-19), in the Ministry of Foreign Affairs, Islamabad, on 7th January, 2021.

No. Estt.(I)-1/104/2000.—Consequent upon his transfer to Parep Montreal from the Headquarters, Mr. Ishtiaq Ahmed Akil, assumed charge of the post of Minister (BS-20), in the Consulate General of Pakistan, Montreal, on 28th December, 2020.

Islamabad, the 11th January, 2021

No. Estt.(I)-7/17/2013.—Consequent upon his transfer to the Prime Minister's Office (Public) *vide* Establishment Division's Notification No. 3-25/2020-E-2, dated 6th January, 2021 on deputation basis, Mr. Haseeb Gohar relinquished the charge of the post of Acting Director (BS-18), in the Ministry of Foreign Affairs, Islamabad, on 8th January, 2021.

No. Estt.(I)-6/14/2011.—Consequent upon proceeding on Maternity Leave, Syeda Naila Batool relinquished charge of the post of Assistant Director (BPS-17), in the Ministry of Foreign Affairs, Islamabad, on 8th January, 2021.

Islamabad, the 13th January, 2021

No. Estt.(I)-2/37/2005.—Consequent upon his transfer from Parep Brussels to the Headquarters, Mr. Nauman Bashir Bhatti, assumed the charge of the post of Director (BPS-19), in the Ministry of Foreign Affairs, Islamabad, on January 13, 2021.

No. Estt.(III)-41/1/2017.—In supersession of this Ministry's notification of even number, dated 23rd December, 2020 and consequent upon his transfer from Ministry of Foreign Affairs, Islamabad to Embassy of Pakistan, Baku (Azerbaijan), Mr. Moazzam Ali Sahito assumed charge of the post of Third Secretary (BPS-17) at Parep Baku on 3rd December, 2020.

No. Estt.(III)-41/1/2013.—In continuation of this Ministry's notification of even number, dated 13th October, 2020 and consequent upon completion of (MCMC) at Karachi, Mr. Bilal Akram Shah, assumed charge of the post of First Secretary (BS-18), in the Embassy of Pakistan, Beijing (China) on 8th January, 2021 (AN).

Islamabad, the 14th January, 2021

No. Estt.(III)-41/03/2011.—Consequent upon her transfer from Ministry of Foreign Affairs, Islamabad to Pahic Canberra (Australia), Ms. Ayesha Saeed relinquished charge of the post of Acting Director (BS-18), in the Ministry on 30th November, 2020 and assumed charge of the post of First Secretary (BPS-18) at Pahic Canberra on 30th December, 2020.

Islamabad, the 15th January, 2021

No. Estt.(III)-49/05/2020.—Consequent upon his transfer from Pakistan Atomic Energy Commission (PAEC) to Strategic Export Control Division, Ministry of Foreign Affairs, Islamabad on deputation basis on standard terms and conditions, Mr. Mussawir Ali Mirza assumed charge of the post of Assistant Director (BS-17), in the Strategic Export Control Division (SECDIV), Ministry of Foreign Affairs, Islamabad on 22nd December, 2020.

Islamabad, the 18th January, 2021

No. Estt.(I)-1/110/2002.—Consequent upon his transfer to the High Commission for Pakistan, London from the Headquarters, Mr. Faisal Aziz Ahmed, relinquished the charge of the post of Acting Director General (BPS-19), in the Ministry of Foreign Affairs, Islamabad, on 15th January 2021.

Islamabad, the 19th January, 2021

No. Estt (III)-41/03/2013.—Consequent upon his transfer from Embassy of Pakistan, Kuwait to Ministry of Foreign Affairs, Islamabad, Mr. Ashar Shahzad relinquished charge of the post of Counsellor (BS-19) at Parep Kuwait on 9th January, 2021 (AN), and assumed charge of the post of Director (BPS-19) in the Ministry on 18th January, 2021.

No. Estt (I)-1/140/2008.—Consequent upon relinquishment of charge of the Ambassador, Mr. Umair Ali, First Secretary (BS-18) assumed the charge of the post of Charge *d'* Affaires (*a.i.*) in the Embassy of Pakistan, Madrid, on 17th January, 2021.

Islamabad, the 20th January, 2021

No. Estt (I)-2/32/2002.—Consequent upon his transfer from Parep Ashgabat to the Headquarters, Mr. Khalil Ahmed Bajwa relinquished the charge of the post of Counsellor (BS-19) in the Embassy of Pakistan, Ashgabat, on 9th January, 2021 and assumed charge of the post of Director/ Acting Director General (BPS-19) in the Ministry of Foreign Affairs, Islamabad, on 17th January, 2021.

No. Estt (I)-1/60/95.—Consequent upon attaining the age of superannuation, Mr. Khayyam Akbar, relinquished the charge of the post of Ambassador (BS-21) in the Embassy of Pakistan, Madrid, on 16th January, 2021.

Islamabad, the 21st January, 2021

No. Estt (I)-6/177/2018.—Consequent upon his transfer from Parep Ankara from the Headquarters, Mr. Faraz Arshad, assumed the charge of the post of Third Secretary (BS-17) in the Embassy of Pakistan, Ankara, on 18th January, 2021.

Islamabad, the 25th January, 2021

No. Estt (I)-1/93/96.—Consequent upon his transfer from Parep Stockholm to Parep Ashgabat, Mr. Irfan Ahmed relinquished the charge of the post of Minister (BPS-20) in the Embassy of Pakistan, Stockholm, on 14th January, 2021 and assumed charge of the post of Ambassador (BPS-20) in the Embassy of Pakistan, Ashgabat on 16th January, 2021.

NAMRA AWAIS,
Assistant Director (Estt-I).

Islamabad, the 5th January, 2021

No. Estt (I)-2/37/2005.—Consequent upon his transfer from Parep Brussels to the Headquarters, Mr. Nauman Bashir Bhatti, relinquished the charge of the post of Counsellor (BPS-19) in the Embassy of Pakistan, Brussels, on 4th January, 2021.

No. Estt (I)-10/309/2020.—Consequent upon his transfer from Headquarters, to Parep Kathmandu, Mr. Shakeel Ahmed, assumed the charge of the post of First Secretary (BPS-18) in the Embassy of Pakistan, Kathmandu, on December 23, 2020.

No. Estt (III)-41/03/2013.—Consequent upon his transfer from Parep Beijing to Headquarters, Mr. Naveed Shahzad, assumed the charge of the post of Deputy Director (BS-18) in the Ministry of Foreign Affairs, Islamabad, on 4th January, 2021.

SYEDA NAILA BATOOL,
Assistant Director Estt (III).

Islamabad, the 25th January, 2021

No. Estt (III)-49/03/2007.—Consequent upon his transfer from Headquarters, Islamabad, to the Embassy of Pakistan, Algiers, Raja Ozair-UI-Haq, relinquished the charge of the post of Deputy Director (BS-18) Headquarters, Islamabad, on 18th January, 2021.

Islamabad, the 26th January, 2021

No. Estt (III)-41/09/2020.—Consequent upon his transfer from Ministry of Foreign Affairs, to Parep Abu Dhabi, Mr. Asad Ullah relinquished charge of the post of Director (BS-19) in the Ministry of Foreign Affairs, Islamabad on 13th January, 2021.

No. Estt (III)-47/4/2008.—Consequent upon proceeding on 15 days leave with effect from 22nd January, 2021 on account of Home Leave Passage, Mr. Taimur Zulfiqar, relinquished charge of the post of First Secretary/Charge *d'* Affaires (*a.i.*) at Parep Amman on 22nd January, 2021.

Islamabad, the 27th January, 2021

No. Estt (III)-49/06/2020.—Consequent upon his transfer from Federal Board of Revenue to Strategic Export Control Division, Ministry of Foreign Affairs, Islamabad on deputation basis on standard terms and conditions, Mr. Shams-ur-Rehman, assumed charge of the post of Deputy Director (BS-18), in the Strategic Export Control Division (SECDIV), Ministry of Foreign Affairs, Islamabad on 22nd December, 2020.

HADEEQA QURESHI,
Assistant Director Estt (III).

[OFFICE OF THE CHIEF ACCOUNTS OFFICER]

Islamabad, the 4th January, 2021

No. Admn/534-07/P.F.—After having been approved by the competent authority, Ms. Sobia Ishtiaq,

Assistant Accounts Officer, Office of the Chief Accounts Officer, Ministry of Foreign Affairs, Islamabad has been allowed to avail the leave on account of full pay, details are as under :-

LFP for 30 days (Leave not due on medical grounds) with effect from 31st December, 2020 to 29th January, 2021

2. After expiry of above mentioned leave, officer will assume the charge of the same post in this office.

(Approval at Para. 524/N of Page 67/N of P.F).

Islamabad, the 6th January, 2021

No. Admn/707-19/PF.—After having been approved by the competent authority, Ms. Hira Yasmin Malik, Senior Auditor (BS-16) of office of the Chief Accounts Officer, Ministry of Foreign Affairs, Islamabad has been allowed to avail the leave on account of full pay, as detailed below :-

LFP for 10 days with effect from 6th January, 2021 to 15th January, 2021

2. After expiry of above mentioned leave, officer will assume the charge of the same post in this office.

(Approval at Para. 04/N at para 26/N).

Islamabad, the 7th January, 2021

No. Admn/104-01/P.F/Vol-II.—Consequent upon expiry of leave for 87 days with effect from 7th October, 2020 to 1st January, 2021 granted *vide* notification of even number dated 6th October, 2020, Mr. Muhammad Ikhlaq, has assumed charge of the post of Senior Auditor (BPS-16) in office of the Chief Accounts Officer, Ministry of Foreign Affairs Islamabad on 4th January, 2021 (2nd & 3rd January, 2021 being closed holidays).

No. Admn/480-06/P.F.—After having been approved by the competent authority leave in respect of Mr. Hafeez-ur-Rehman, Senior Auditor (BS-16) of office of the Chief Accounts Officer, Ministry of Foreign Affairs, Islamabad has been allowed/extended on account of full pay (on medical grounds), details as under :-

LFP for 07 days (on medical grounds) with effect from 5th January, 2021 to 11th January, 2021

2. After expiry of above mentioned leave, officer will assume the charge of the same post in this office.

(Approval at Para. 213/N of Page 29/N of file).

Islamabad, the 8th January, 2021

No. Admn/726-19/P.F.—After having been approved by the competent authority Mr. Abdul Karim, Senior Auditor of Office of the Chief Accounts Officer, Ministry of Foreign Affairs, Islamabad has been granted Quarantine leave. Details as under :-

Quarantine leave for 14 days with effect from 6th January, 2021 to 19th January, 2021.

2. After expiry of above mentioned leave, officer will assume the charge of the same post in this office.

(Approval at Para. 28/N of Page 5/N of P.F).

Islamabad, the 13th January, 2021

No. Admn/699-19/P.F.—After having been approved by the competent authority Ms. Fozia Latif, Senior Auditor Office of the Chief Accounts Officer, Ministry of Foreign Affairs, Islamabad has been allowed to avail the leave on account of full pay, Details as under :-

- i. 69 days L.F.P. (on Medical Grounds) with effect from 11th January, 2021 to 20th March, 2021.
- ii. 100 days L.F.P. (Leave not due on Medical Grounds) with effect from 21st March, 2021 to 28th June, 2021.

2. After expiry of above mentioned leave, officer will assume the charge of the same post in this office.

(Approval at Para. 50/N of Page 7/N of P.F.).

No. Admn/523-07/PF/Vol-II.—Consequent upon curtailment of leave (LHP for 356 days with effect from 3rd February, 2020 to 24th January, 2021 & 374 days EOL (without pay) with effect from 25th January, 2021 to 2nd February, 2022) granted *vide* notification of even number dated 30th January, 2020, Mr. Irfan Ahmed Khoso has assumed charge of the post of Senior Auditor (BS-16) in the office of the Chief Accounts Officer, Ministry of Foreign Affairs, Islamabad on 12th January, 2021.

(Approval at Para. 36/N at Para 39/N).

No. Admn/480-06/P.F.—After having been approved by the competent authority leave in respect of Mr. Hafeez-ur-Rehman, Senior Auditor (BS-16) of the Office of the Chief Accounts Officer, Ministry of Foreign Affairs, Islamabad has been allowed/extended on account of full pay (on medical grounds), details as under :-

LFP for 07 days (on medical grounds) with effect from 12th January, 2021 to 18th January, 2021

2. After expiry of above mentioned leave, officer will assume the charge of the same post in this office.

(Approval at Para. 221/N of Page 30/N of file).

No. Admn/662-17/P.F.—After having been approved by the Competent Authority Mr. Abdul Haseeb, Senior Auditor (BPS-16) of the Office of the Chief Accounts Officer, Ministry of Foreign Affairs, Islamabad has been allowed leave as mentioned below :-

LFP for 33 days with effect from 18th January, 2021 to 19th February, 2021

2. After expiry of above mentioned leave, officer will assume the charge of the same post in this office.

(Approval at Para. 79/N of Page 5/N of P.F).

Islamabad, the 14th January, 2021

No. Admn/496-06/P.F.—In pursuance of Ministry of Foreign Affairs' Letter No. Estt (V)-6/7/2017, dated 14th January, 2021 and have been approved by the competent authority, Mr. Tanveer Ahmed, has relinquished charge of the post of Senior Auditor (BPS-16) in office of the Chief Accounts Officer, Ministry of Foreign Affairs Islamabad on 14th January, 2021 for his posting as Assistant (BPS-16) in Ministry of Foreign Affairs, Islamabad on temporary transfer basis.

Islamabad, the 18th January, 2021

No. Admn/730-19/P.F.—After having been approved by the Competent Authority Ms. Nimra Liaqat, Senior Auditor (BPS-16) of the Office of the Chief Accounts Officer, Ministry of Foreign Affairs, Islamabad has been allowed leave as mentioned below :-

LFP for 12 days with effect from 25th January, 2021 to 5th February, 2021

2. After expiry of above mentioned leave, officer will assume the charge of the same post in this office.

Islamabad, the 19th January, 2021

No. Admn/707-19/P.F.—Consequent upon expiry of Leave for 10 days with effect from 6th January, 2021 to 15th January, 2021 granted *vide* notification of even number dated 6th January, 2021, Ms. Hira Yasmeen Malik, has assumed charge of the post of Senior Auditor (BPS-16) in office of the Chief Accounts Officer, Ministry of Foreign Affairs Islamabad on 18th January, 2021 (16th & 17th January, 2021 being closed holidays).

Islamabad, the 20th January, 2021

No. Admn/169-01/P.F/Vol-II.—After having been approved by the competent authority Ms. Shabana Ayub, Assistants Accounts Officer (BS-17) of Office of the Chief Accounts Officer, Ministry of Foreign Affairs, Islamabad has been allowed to avail the Leave on account of Full Pay as detailed below :-

LFP for 30 days with effect from 18th January 2021 to 16th February, 2021

2. After expiry of above mentioned leave, officer will assume the charge of the same post in this office.

(Approval at Para. 421/N of Page 31/N of P.F).

No. Admn/480-06/P.F.—Consequent upon expiry of Leave (on Medical Grounds) for 104 days with effect from 7th October, 2020 to 18th January, 2021 granted *vide* notification of even number dated 7th October, 2020, 9th November, 2020, 17th November, 2020, 7th December, 2020, 17th December, 2020, 7th January, 2021 & 13th January, 2021 Mr. Hafeez-ur-Rehman, has assumed charge of the post of Senior Auditor (BPS-16) in office of the Chief Accounts Officer, Ministry of Foreign Affairs Islamabad on 19th January, 2021.

No. Admn/676-19/P.F.—After having been approved by the Competent Authority Ms. Komal Abbasi, Senior Auditor (BPS-16) of the Office of the Chief Accounts Officer, Ministry of Foreign Affairs, Islamabad has been allowed Leave as mentioned below :-

LFP for 26 days with effect from 1st February 2021 to 26th February, 2021

2. After expiry of above mentioned leave, officer will assume the charge of the same post in this office.

(Approval at Para. 143/N of Page 21/N of P.F).

AMMARA HASSAN,
Assistant Chief Accounts Officer (Admn).

MINISTRY OF HOUSING & WORKS

Islamabad, the 16th March, 2021

No. F. 8(38)/2018-Admn-I (pt.)—Owing to COVID-19 positive report of Mr. Tariq Rasheed, Director General, FGE Housing Authority, Mr. Zahoor Ahmed, Additional Secretary, Ministry of Housing & Works is hereby allowed to look after the work of the post of Director General, FGE Housing Authority in addition to his own duties with immediate effect till joining of the regular incumbent.

No. F. 8(38)/2018-Admn-I (pt.)—Owing to COVID-19 positive report of Mr. Tariq Rasheed, Chief Executive Officer, PHA Foundation, Mr. Muhammad Irfan, Director General, PHA Foundation is hereby allowed to look after the work of the post of CEO, PHA Foundation in addition to his own duties with immediate till joining of regular incumbent.

No. F. 1(28)/2009-Admn-I.—Consequent upon repatriation on deputation from PHA Foundation *vide* Office Order No. PHA-F/F&A/FEQ/2014/4941, dated 9th March, 2021, Mr. Mehar Ali, Assistant Private Secretary (BS-16) has joined his duties in the Ministry of Housing & Works on 10th March, 2021.

Islamabad, the 18th March, 2021

No. 1(32)/2017-Admn-I.—With the approval of competent authority *i.e.* Secretary (H&W), Mr. Kashif Jamal, Assistant (BS-15), M/o. Housing & Works, presently posted as Superintendent (Rent/BS-16) in Estate Office Management, Karachi on deputation basis under Section 10 of Civil Servants Act, 1973, is hereby repatriated to his parent department *i.e.* Ministry of Housing & Works (Main) with immediate effect.

The official is allowed joining time in the Ministry of Housing & Works as admissible under the rules.

No. F. 8(38)/2018-Admn-I.—In pursuance of Establishment Division, Islamabad Notification No. 1/46/2021-E-4, dated 8th March, 2021, Mr. Waseem Hayat Bajwa, has relinquished the charge of the post of

Director General, Federal Government Employees Housing Authority on 9th March, 2021.

MUHAMMAD KAMRAN,
Section Officer (Admn-I).

[PHA FOUNDATION]

Islamabad, the 19th March, 2021

No. PHA-F/HR/280/Recruitment/2018/09.—Consequent upon her selection and declaring fit by the President of Central Medical Board (CMB), Directorate of Central Health Establishments, Ms. Nayab Taj bearing CNIC No. 16102-6645331-4 is appointed as Assistant Director, (E&M) (BS-17) (Rs. 30,370-2,300-76,370) *plus* usual allowances as admissible under the rules with effect from 9th March, 2021 in PHA Foundation, Islamabad, on purely temporary basis.

The above mentioned officer is placed on probation for a period of one year further extendable for one year with effect from the date of her joining. Her appointment will be subject to the verification of the character & antecedents by the Police/Security agencies, academic degrees & domicile by concerned educational/administrative organizations.

This issues with the approval of Chief Executive Officer, PHA Foundation.

No. PHA-F/HR/280/Recruitment/2018/10.—Consequent upon his selection and declaring fit by the President of Central Medical Board (CMB), Directorate of Central Health Establishments, Mr. Babar Ali bearing CNIC

No. 31202-2008580-9 is appointed as Accounts Officer, (BS-17) (Rs. 30,370-2,300-76,370) *plus* usual allowances as admissible under the rules with effect from 9th March, 2021 in PHA Foundation, Islamabad, on purely temporary basis.

The above mentioned officer is placed on probation for a period of one year further extendable for one year with effect from the date of his joining. His appointment will be subject to the verification of the character & antecedents by the Police/Security agencies, academic degrees & domicile by concerned educational/administrative organizations.

This issues with the approval of Chief Executive Officer, PHA Foundation.

No. PHA-F/HR/280/Recruitment/2018/11.—Consequent upon his selection and declaring fit by the President of Central Medical Board (CMB), Directorate of Central Health Establishments, Mr. Athar Farid bearing CNIC No. 31205-2300239-1 is appointed as Marketing Officer, (BS-17) (Rs. 30,370-2,300-76,370) *plus* usual allowances as admissible under the rules with effect from 9th March, 2021 in PHA Foundation, Islamabad, on purely temporary basis.

The above mentioned officer is placed on probation for a period of one year further extendable for one year with effect from the date of his joining. His appointment will be subject to the verification of the character & antecedents by the Police/Security agencies, academic degrees & domicile by concerned educational/administrative organizations.

This issues with the approval of Chief Executive Officer, PHA Foundation.

No. PHA-F/HR/280/Recruitment/2018/08.—Consequent upon their selection and approval of the competent authority the following officers are appointed as Assistant Director, Civil (BS-17) (Rs. 30,370-2,300-76,370) *plus* usual allowances as admissible under the rules with effect from date of joining mentioned against each in PHA Foundation, Islamabad, on purely temporary basis :-

S. No.	Name	CNIC No.	Date of Joining	Remarks
1.	Mr. Muhammad Anas	41304-5687234-5	09-03-2021	-
2.	Mr. Adnan Memon	41306-9973652-1	09-03-2021	Appointment are made conditionally subject to provision of final medical fitness certificate by the President of Central Medical Board (CMB)
3.	Mr. Muhammad Abdullah	34501-0613205-7	09-03-2021	

2. The above mentioned officers are placed on probation for a period of one year further extendable for one year with effect from the date of their joining. Their appointment will be subject to the verification of the character & antecedents by the Police/Security agencies, academic degrees & domicile by concerned educational/administrative organizations.

3. This issues with the approval of Chief Executive Officer, PHA Foundation.

No. PHA-F/HR/280/Recruitment/2018/12.—Consequent upon his selection and declaring fit by the President of Central Medial Board (CMB), Directorate of Central Health Establishments, Mr. Junaid Afzal bearing CNIC No. 31202-820224-3 is appointed as Assistant Marketing Officer, (BS-16) (Rs. 18,910-1,520-64,510) *plus* usual allowances as admissible under the rules with effect from 9th March, 2021 in PHA Foundation, Islamabad, on purely temporary basis.

2. The above mentioned officer is placed on probation for a period of one year further extendable for one year with effect from the date of his joining. His appointment will be subject to the verification of the character & antecedents by the Police/Security agencies, academic degrees & domicile by concerned educational/administrative organizations.

3. This issues with the approval of Chief Executive Officer, PHA Foundation.

ABBAS ALI KHAN,
Director (Admin).

MINISTRY OF HUMAN RIGHTS

Islamabad, the 16th March, 2021

No. F. 2-15/2019-Admn.—Mr. Muhammad Pervaiz, Assistant Private Secretary (BS-16) is granted additional charge of the vacant post of Assistant Private Secretary (BS-16) Parliamentary Secretary, Ministry of Human Rights for a period of 90 days with effect from 12th February, 2021 to 12th April, 2021 or till the availability of regular incumbent of the post whichever is earlier,

This issues with the approval of Joint Secretary (Admn), Ministry of Human Rights, Islamabad.

MARYAM ASLAM,
Section Officer (Admn).

MINISTRY OF INDUSTRIES AND PRODUCTION

(Industries & Production Division)

Islamabad, the 11th March, 2021

No. 1(82)/2020-Admn-I.—Mr. Haider Ali, Section Officer (BS-17) of this Division has resumed/joined his duty on 5th March, 2021 after availing 73 days leave on full pay (LFP) with effect from 22nd December, 2020.

No. 1(83)/2020-Admn-I.—Mr. Khizar Faiz, Section Officer (BS-17) of this Division has resumed/joined his duty on 5th March, 2021 after availing 73 days leave on full pay (LFP) with effect from 22nd December, 2020.

Islamabad, the 17th March, 2021

No. 1(94)/2021-Admn-I.—In pursuance of Office of the Auditor General of Pakistan's Notification No. 14-Dir(A)/2-3/21, dated 26th February, 2021, Mr. Aijaz Ali, a BS-20

Officer of Pakistan Audit and Accounts Service has assumed the charge of the post of Chief Finance & Accounts Officer (BS-20) in the Industries & Production Division on 10th March, 2021.

No. 1(94)/2021-Admn-I.—In pursuance of the Establishment Division's Notification No. 39/1113/2021-E-I, dated 26th February, 2021, Mr. Waqar-ud-Din Siddiqui, a BS-19 officer of the Secretariat Group has relinquished charge of the post of Joint Secretary under Section 10 of Civil Servants Act, 1973 and assumed the charge of the post of Joint Secretary (BS-20) on regular basis in Industries and Production Division with effect from 1st March, 2021.

OMER MANZOOR SHEIKH,
Section Officer (Admn-I).

MINISTRY OF INFORMATION, BROADCASTING AND NATIONAL HERITAGE

(National Heritage & Culture Division)

Islamabad, the 11th March, 2021

No. F. 05(1)/2018-Admn.—Mr. Rashid Hameed, Deputy Secretary (BS-19), NLPD, is posted on attachment basis with immediate effect in National Heritage & Culture Division till further orders.

This issues with the approval of Secretary, National Heritage & Culture Division.

ASIF KHAN,
Section Officer (Admn).

Islamabad, the 16th March, 2021

No. F. 8-(5)/2021-UDB.—On attaining the age of premature, Mrs. Nuzhat Seema Irshad, *Ex-Editor* (BPS-18), Urdu Dictionary Board, Karachi has been allowed for encashment of LPR for a period of 365 days, in the light of Rule-18-A of the Revised Leave Rules, 1980. The officer stood retired from the Government Service on 2nd December, 2020, (Her date of birth, is 18th May, 1962).

This issues with the approval of Secretary NH&C Division.

No. F. 8-(5)/2021-UDB.—On attaining the age of superannuation, Mst. Tabbassum Akhtar Hashmi, *Ex-Assistant Editor* (BPS-17), Urdu Dictionary Board, Karachi has been allowed for encashment of LPR for a period of 365 days, in the light of Rule-18-A of the Revised Leave Rules, 1980. The officer stood retired from the Government Service on 6th November, 2020, (Her date of birth, is 7th November, 1960).

This issues with the approval of Secretary NH&C Division.

ABDUL RAUF,
Section Officer (Org-IV).

MINISTRY OF INTERIOR

Islamabad, the 15th March, 2021

No. 5/8/2021-Admn-I.—In pursuance of the Establishment Division's Notification No. F. 39/1118/2021-E-I, dated 26th February, 2021, Mr. Faisal Nisar Ch. Joint Secretary (NS-20/SG) has assumed the charge of the post of Joint Secretary, Interior Division on 12th March, 2021.

No. 3/21/82-Admn-I.—With profound grief and sorrow it is notified that Mr. Zafar Iqbal, Assistant Private Secretary (BS-16), Ministry of Interior has been expired on 9th January, 2021 due to natural death. May Allah rest his soul in peace, Ameen.

His name is struck off from the strength of Ministry of Interior with effect from his date of death.

Islamabad, the 16th March, 2021

No. 5/15/2021-Admn-I.—Mr. Shahid Mubashir, Assistant Private Secretary (BS-16), Ministry of Interior shall stand retired from Government Service on 28th March, 2021 on attaining the age of superannuation.

In terms of Rule 18-A of the Revised Leave Rules, 1980, the officer has been allowed encashment in lieu of Leave Preparatory to retirement for 365 days from 29th March, 2020 to 28th March, 2021.

This issues with the approval of the Secretary Interior.

No. 14/5/2021-Admn-I.—The Prime Minister of Pakistan has been pleased to direct that the services of the following officers shall be dedicatedly available to National FATF Coordination Committee in addition to their own duties.

Name & Designation	Contact details
Mr. Zafar Abbas, Joint Secretary (Pol./FIS), Ministry of Interior	Mob: 0335-7402000 Tel: 051-920-1762
Mr. Tahir Akbar Awan, Deputy Secretary (FATF), Ministry of Interior.	Mob: 0300-5209194 Tel: 051-910-3889

2. Moreover, the officers will directly be reporting to the committee for a period of six months with immediate effect.

Islamabad, the 17th March, 2021

No. 5/1/2017-Admn-I.—In pursuance of Establishment Division's Notification No. 39/1053/2017-E-I, dated 16th March, 2021, Dr. Mirza Ali Mahsud, a BS-20 officer of Secretariat Group has relinquished the charge of the post of Joint Secretary, Interior Division on 17th March, 2021.

ABDUL RAZAQ,
Section Officer (Admn-I).

MINISTRY OF INTER PROVINCIAL COORDINATION

Islamabad, the 12th March, 2021

No. F. 2(10)/2010-Admn-I.—With the approval of competent authority *i.e.* Secretary, Ministry of IPC, Syed Wajid Ali, Deputy Secretary (Admn) (BS-19), is allowed to hold Additional Charge of the post of Deputy Secretary (T&R) in addition to his own duties with effect from 15th March, 2021 for a period of three months (90 days) or till the availability of a regular incumbent, whichever is earlier for which he would be entitled to additional remuneration as admissible under rule.

No. F. 2(10)/2010-Admn-I.—With the approval of competent authority *i.e.* Secretary, Ministry of IPC, Mr. Arshad Mehmood, APS (BS-16), is allowed to hold Current Charge of the post of Section Officer (T&R) in addition to his own duties with effect from 15th March, 2021 for a period of three months (90 days) or till the availability of a regular incumbent, whichever is earlier for which he would be entitled to additional remuneration as admissible under rule.

Islamabad, the 17th March, 2021

No. F. 1(679)/2020-Admn-I.—In pursuance of Establishment Division's Notification No. PF. (605)/E-I (PAS), dated 19th February, 2021, Mr. Zafar Iqbal, a BS-21 Officer of Pakistan Administrative Service, has relinquished the charge of the post of Additional Secretary (BS-21), Ministry of Inter Provincial Coordination, with effect from 22nd February, 2021.

FARHAN AKHTAR,
Section Officer (Admn-I).

MINISTRY OF KASHMIR AFFAIRS AND GILGIT-BALTISTAN

Islamabad, the 11th March, 2021

No. 1(46)-Admn/2013.—Consequent upon approval of the Sub-committee of the Cabinet on Regularization in its meeting held on 6th February, 2013 and with the approval of Secretary Kashmir Affairs & Gilgit-Baltistan, the services of Mr. Masood Irshad, Research Officer (BS-17), Ministry of Kashmir Affairs & Gilgit-Baltistan are hereby regularized against the permanent post of Research Officer (BS-17) with immediate effect.

No. 1(46)-Admn/2013.—Consequent upon approval of the Sub-committee of the Cabinet on Regularization in its meeting held on 13th December, 2012 and with the approval of Secretary Kashmir Affairs & Gilgit-Baltistan, the services of Mr. Zahid Zia, Assistant Accounts Officer (BS-16), Ministry of Kashmir Affairs & Gilgit-Baltistan are hereby regularized against the permanent post of Assistant Accounts Officer (BS-16) with immediate effect.

Islamabad, the 12th March, 2021

No. F. 3/3/2019-K-II.—Consequent upon the recommendation of the Management Committee of J&K State Property in its meeting held on 3rd March, 2021 and with the approval of Secretary, he post of Rent Inspector in the

Office of the Administrator, J&K State Property, is hereby upgraded from BS-14 to BS-16 along with present incumbent (Syed Zamin Ali Rizvi).

Islamabad, the 15th March, 2021

No. 6(1)-Admn/2020.—In pursuance of Establishment Division's Notification No. F. 4/84/2013-E-VII, dated 25th February, 2021, Mr. Imran Hussain, a BS-17, officer of Office Management Group has relinquished the charge of the post of Section Officer (BS-17) from this Ministry on 1st March, 2021.

HAMID MAHMOOD RANA,
Deputy Secretary.

Islamabad, the 15th March, 2021

No. F. 19(8)/2021-K.I.—In pursuance of Establishment Division's Notification No. PF. (884)/E-5 (PAS), dated 16th February, 2021, Dr. Sajid Mehmood Chauhan, a BS-20, officer of Pakistan Administrative Service has assumed the charge of the post of Additional Chief Secretary (Development), Azad Government of the State of Jammu & Kashmir, Muzaffarabad with effect from 8th March, 2021.

MUHAMMAD ANWAR KHAN,
Deputy Secretary.

MINISTRY OF LAW AND JUSTICE

(Law and Justice Division)

Islamabad, the 18th March, 2021

No. F. 25(20)/83-A.I (Vol-III).—In partial modification of this Ministry's notification of even number dated 17th December, 2020 and in Pursuant to Section 13 (1) (ii) of Civil Servants Act, 1973, on attaining the age of superannuation, Mr. Muhammad Israr, Draftsman (BS-21), Ministry of Law and Justice, Islamabad shall stand retired from Government Service with effect from 24th April, 2021.

BADAR-UR-REHMAN,
Deputy Secretary.

Islamabad, the 12th March, 2021

No. F. 25(160)/2008-A.VI.—Mr. Zakir Hussain, Translator (BPS-16), Ministry of Law and Justice is granted 12 days leave on full pay from 15th March, 2021 to 26th March, 2021.

After expiry of leave, the Officer is likely to resume his duties on 29th March, 2021 at the same post and station.

Islamabad, the 15th March, 2021

No. F. 36(1)/2013-A.II.—On the recommendations of Departmental Promotion Committee (DPC-I) and with the approval of Secretary, Law and Justice Division, Mr. Anwaruddin, Reader (BS-16) of the Federal Service

Tribunal, Islamabad is hereby promoted to the post of Assistant Registrar (BS-17) with immediate effect.

He will be placed on probation for a period of one year, extendable to another period not exceeding one year.

SAADAT IQTIDAR ALAM,
Section Officer.

Islamabad, the 12th March, 2021

No. F. 29(8)/2017-A.III (Pt).—With the approval of competent authority, Mr. Waqas Ali Haidery, Assistant Private Secretary (BPS-16), has been entrusted the Powers of Drawing & Disbursing Officer of Special Court (Anti-Terrorism-I), Islamabad with immediate effect and until further orders.

MUHAMMAD RAZAULLAH LAKHO,
Section Officer (A-III).

Islamabad, the 19th March, 2021

No. F. 12(2)/2020-A.IV.—With the approval of competent authority, Mr. Faisal Afzal Malik, Assistant Private Secretary (BPS-16), is hereby transferred/posted/from Appellate Tribunal Inland Revenue (ATIR), Lahore to NEPRA Appellate Tribunal, Islamabad, with immediate effect and until further orders.

This issues with the approval of Secretary, Law and Justice Division.

SAJID AFZAAL,
Section Officer.

MINISTRY OF MARITIME AFFAIRS

[PORTS & SHIPPING WING]

Karachi, the 9th March, 2021

No. 10(6)/2017-Estt.—In pursuance of Government of Pakistan, Cabinet Secretariat, Establishment Division's Notification No. 1/1/2019-E-VII dated 22nd December, 2020, Mr. Ali Muhammad, Section Officer (BS-18/OMG) has relinquished the charge of the post of Section Officer (Estt/BS-18), Ports & Shipping Wing, Karachi with effect from 17th February, 2021.

IQRA IRSHAD,
Section Officer (Estt).

MINISTRY OF NATIONAL FOOD SECURITY AND RESEARCH

Islamabad, the 18th March, 2021

No. F. 2-3/2018-Admn-I.—Mr. Muhammad Ali Talpur, Economic Consultant (BS-20) in the Ministry of National

Food Security and Research is assigned additional charge of the post of Vice President, Pakistan Central Cotton Committee (PCCC) under this Ministry with immediate effect for a period of three (03) months or till the availability of regular incumbent of the post, whichever is earlier.

This issues with the approval of competent authority.

No. F. 7-16/2012-Admn-I (NVL).—On the recommendation of Federal Public Service Commission and with the approval of the Secretary, Ministry of National Food Security and Research, Ms. Shumaila Manzoor is appointed as Scientific Officer (BS-17) in the National Veterinary Laboratory, Ministry of National Food Security and Research, Islamabad with effect from 26th February, 2021.

2. She is placed on probation for a period of one year with effect from the date of her appointment. The probation period may be curtailed for good and sufficient reasons, to be recorded, or if considered necessary, it may be extended for a period not exceeding one year. If no order is issued by the day following the expiry of first year, the probation period shall be deemed to have been extended for a period not exceeding one year. Provided that in the absence of an order for termination of probation period, the period of probation shall be deemed on have successfully been completed on the expiry of the extended period.

DR. AKHTAR ALI HAKRO,
Section Officer.

Islamabad, the 17th March, 2021

No. F. 10-6/2012-Admn-II (DPP).—Mr. Muhammad Amin Nadimi, Junior Engineer (BS-17), Department of Plant Protection, Karachi, is allowed encashment equal to his 365 days pay in lieu of 365 days leave Preparatory to Retirement on full pay from 1st December, 2020 to 30th November, 2021.

On attaining the age of superannuation *i.e.* 60 years, he will stand retired from Government Service with effect from 30th November, 2021.

NASHAD KHAN,
Section Officer (Admin-II).

[FEDERAL WATER MANAGEMENT CELL]

Islamabad, the 17th March, 2021

No. F. 1-10/95-Estt (WM).—Consequent upon approval of the Director General (WM), Mr. Muhammad Hanif Kandhro, Research Officer (BS-17), Federal Water Management Cell is granted five (05) days leave on full pay with effect from 8th March, 2021 to 12th March, 2021.

On expiry of above leave, he has resumed his duty on the same post and station.

TEHMEENA IQBAL,
Research Officer (Admn).

MINISTRY OF NATIONAL HEALTH SERVICES,
REGULATIONS & COORDINATION

Islamabad, the 11th March, 2021

No. F. 1-57/2012-T-II.—Dr. Maria Azad, Medical Officer, Federal Government Polyclinic (FGPC), Islamabad is granted 10 days *Ex-Pakistan* leave with effect from 20th March, 2021 to 29th March, 2021 to visit Turkey.

This Ministry has No Objection on visit abroad of the above named Doctor during her *Ex-Pakistan* leave period.

No. F. 1-348/2013-Estab-III.—With the approval of competent authority, Ms. Shamima Bibi, Charge Nurse (BS-16), Pakistan Institute of Medical Sciences (PIMS), Islamabad is granted two years *ex-Pakistan* extraordinary leave (leave without pay) with effect from 14th March, 2021 to 13th March, 2023 to join Ministry of Health, Kuwait through Pakistan Overseas Employment Corporation.

Ministry of National Health Services, Regulations & Coordination has no objection to the proceeding abroad of above officer during the above leave period.

Islamabad, the 12th March, 2021

No. F. 3-47/2020-T-II.—In pursuance of this Ministry's notification of even number dated 26th February, 2021, Dr. Javeria Khan, Medical Officer (BS-17) King Abdullah Teaching Hospital, Mansehra (Health Department, Govt, of KPK) has assumed the charge of the post of Medical Officer (BS-17), on deputation basis under wedlock policy for a period of three years in Federal Government Polyclinic (FGPC), Islamabad on 3rd March, 2021.

Islamabad, the 15th March, 2021

No. F. 1-615/2018-Estab-III.—In pursuance of Ministry's of National Health Services, Regulations & Coordination (NHSR&C)'s Notification No. F. 11-8/2019-Estab-III dated 26th February, 2021, Dr. Saera Afghan has assumed the charge of the post of Professor of Gynecology & Obstetrics (BS-20), Pakistan Institute of Medical Sciences (PIMS), Islamabad on 26th February, 2021.

ZAFAR IQBAL,
Deputy Secretary (Tech-I).

Islamabad, the 12th March, 2021

No. F. 3-4/2020-Admn-III.—In Continuation of this Ministry's Notifications No. 3-4/2020-Admn-III dated 15th September, 2020 and 23rd October, 2020, the Competent Authority *i.e.* Secretary M/o. NHS, R&C has been placed to extend the additional charge of Deputy National Coordinator-TB (BS-19), Coordination Unit to Manage Global Fund to Dr. Naseem Akhtar, Assistant Professor (BS-18), Pakistan Institute of Medical Sciences under Ministry of National Health Services, Regulations & Coordination in addition to her own duties for a further period of three months with effect from 18th December, 2020.

HAMID MUSTAFA,
Section Officer (Admn-III).

Islamabad, the 12th March, 2021

No. F. 1-30/2009/DAI/DAH/(V)/HSA.—With the approval of Competent Authority, Dr. Assad Hafeez, Vice Chancellor, Health Services Academy Islamabad, M/o. National Health Services Regulations & Coordination, is granted 30 days Ex-Pakistan leave with effect from 22nd March, 2021 (with permission to avail prefix holidays falling on 20th, 21st March, 2021) to proceed to abroad.

This Ministry has no objection on proceeding abroad of the officer concerned during this leave.

SHOAIB HASAN,
Section Officer (Admn-IV).

[DRUG REGULATORY AUTHORITY OF PAKISTAN]

Islamabad, the 15th March, 2021

No. PF. 10-SM/ADMN-I (VOL-II).—Mrs. Sara Mehreen, Assistant Director (BS-17), Drug Regulatory Authority of Pakistan, Lahore has been granted study leave for the following period, from the date of availing:

- i) 730 days (two years) leave on half pay.
- ii) 365 days extra-ordinary leave without pay.

2. This issues with the approval of Competent Authority *i.e.* Secretary, M/o. National Health Services, Regulations & Coordination communicated *vide* Letter No. F. 7-15/2019-DRAP (Vol-IV) dated 3rd March, 2021.

No. PF. 137-AR/ADMN-I.—Mr. Amjad Raja, Assistant Director (RO-12), Budget & Accounts Division, Drug Regulatory Authority of Pakistan, Islamabad has been granted 15 days Rest & Recreation Leave in lieu of 10 days leave with full pay from the date of availing.

After expiry of the said leave, the officer concerned is expected to resume his duty on the same post and at the same station.

This issues with the approval of the Competent Authority,

MUHAMMAD MURAD KHAN,
Deputy Director (Admn-I).

Islamabad, the 11th March, 2021

No. PF. 155-SA/ADMN-I.—In pursuance of Drug Regulatory Authority of Pakistan, Islamabad's Office Order No. F. 6-6/2011/Admn-I dated 6th January, 2021, Mr. Shoaib Ahmed has relinquished the charge of the post of Federal Inspector of Drug-V (RO-13), Drug Regulatory Authority of Pakistan, Lahore on 13th January, 2021 and assumed the charge of the post of Deputy Director (RO-13), Drug Regulatory Authority of Pakistan, Islamabad on 18th

January, 2021. He is posted as Deputy Director (RO-13), QA & LT Division, DRAP, Islamabad with immediate effect until further orders.

This issues with the approval of the Competent Authority,

Islamabad, the 12th March, 2021

No. PF. 1739-HKE/ADMN-I (PT).—Dr. Hafsa Karam Elahi, Deputy Director (BS-18) holding charge of the post of Additional Director (QA & LT), DRAP Office, Islamabad (Field Offices) has been granted 30 days leave with full pay with effect from 9th March, 2021 or from the date of availing.

2. After expiry of the said leave, the officer concerned is expected to resume her duty on the same post and at the same station.

3. During the leave period, Mrs. Tehreem Sara, Federal Inspector of Drugs-IV (BS-18), Islamabad QA & LT Division, Drug Regulatory Authority of Pakistan is assigned to look after the official work of the post of Additional Director (QA & LT), DRAP Office, Islamabad (Field Offices) in addition to her own duties.

4. This issues with the approval of the Competent Authority.

No. PF. 129-UHK/ADMN-I.—Competent Authority *i.e.* Chief Executive Officer, Drug Regulatory Authority of Pakistan has been pleased to accept the resignation of Mr. Umer Hameed Khan S/o. Muhammad Akbar Khan from the post of Assistant Director (Legal Affairs Division) (RO-12), Drug Regulatory Authority of Pakistan, Islamabad. He stands relieved from DRAP's service with effect from 20th February, 2021.

No. PF. 1724-ASS/ADMN-I (VOL-III).—The Competent Authority *i.e.* Secretary, Ministry of National Health Services, Regulations & Coordination has been pleased to grant 365 days leave Preparatory to Retirement (LPR) with effect from 1st May, 2021 to Mr. Abdul Sattar Sohrani, Deputy Director (BS-18) (Civil Servants), Drug Regulatory Authority of Pakistan, Ministry of National Health Services, Regulations & Coordination. The officer concerned shall stand retired from Government Service with effect from 1st May, 2022.

This issues in pursuance of Ministry of National Health Services, Regulations & Coordination's Letter No. F. 3-10/2015-Admn-I/DRAP, dated 3rd March, 2021.

ASMAT ULLAH,
Assistant Director (Admin-I).

MINISTRY OF NARCOTICS CONTROL

Islamabad, the 18th March, 2021

No. 2-46/1989-Admn.—With the approval of the competent authority *i.e.* Senior Joint Secretary, Ministry of Narcotics Control, Mr. Muhammad Shafee Jan, Section Officer (BS-17), Ministry of Narcotics Control, is granted Twenty (20) days Leave on Full Pay (LFP) with effect from 22nd March, 2021 to 10th April, 2021.

On expiry of the leave, the officer will resume his duty on the same post and station.

MUHAMMAD ZIA-UL-HAQ,
Section Officer (Admn).

MINISTRY OF OVERSEAS PAKISTANIS AND
HUMAN RESOURCE DEVELOPMENT

Islamabad, the 16th March, 2021

No. PF. 1(15)/2018-Admn-I.—In pursuance of Establishment Division's Notification No. F. 12/5/2018-E-I, dated 8th March, 2021, Mr. Tassaduq Hussain, a BS-20 officer of Economist and Planners Group, presently posted as Joint Secretary (BS-20) in this Ministry has relinquished the charge of the post of Joint Secretary (BS-20) Ministry of Overseas Pakistanis and Human Resource Development on 15th March, 2021.

No. PF. 1(3)/2021-Admn-I.—In pursuance of Establishment Division's Notification No. F. 8/2/2020-E-VII, dated 20th November, 2020 and Establishment Division's O. M. 1349/2015-E-VII dated 19th January, 2021, Mr. Aakif Iqbal, Section Officer (OMG/BS-18), has assumed the charge of the post of Section Officer (BS-18) in the Ministry of Overseas Pakistanis and Human Resource Development, Islamabad, with effect from 25th February, 2021.

No. F. 1(2)/2021-Admn-I.—In pursuance of Establishment Division's Notification No. PF. 932/2009-E-VII, dated 26th November, 2021, Mr. Muhammad Qadeer, (OMG/BS-18), has assumed the charge of the post of Section Officer (BS-18) in the Ministry of Overseas Pakistanis and Human Resource Development, Islamabad, with effect from 18th February, 2021.

No. PF. 1(7)/2019-Admn-I.—This Ministry's notification of even number dated 20th August, 2020 is hereby withdrawn *ab-initio* with the approval of the Competent Authority *i.e.* Secretary, M/o. OP&HRD.

RAJA SHAHROZE ABBAS,
Section Officer (Admn-I).

Islamabad, the 16th March, 2021

No. 9-34/2018-Emig-I.—Consequent upon his appointment on deputation basis for a period of three (03) years to the post of Assistant Director (Editing) (BS-17) in Senate Secretariat, Islamabad, Mr. Muhammad Hannan Raza, Assistant Director (BS-17), BE&OE has been relieved from his duties with effect from 24th February, 2021 (F.N) to join his new assignment in Senate Secretariat, Islamabad.

2. This issues with the approval of Secretary, OP&HRD.

SHAZIA NAUREEN,
Section Officer (Emig-I).

Islamabad, the 18th March, 2021

No. 1(1)/2018-CWA-I.—In relaxation of Para 1(xi) of the amended policy guidelines for foreign appointments and

posting in Pakistan Missions abroad issued by the Establishment Division *vide* O. M. No. 4/3/2016-T-IV dated 21st October, 2020, the Prime Minister has been pleased to extend the posting tenure of Community Welfare Attache (CWA) Bahrain Mr. Saad Bin Rafiq (OMG/BS-18) up to 28th April, 2021.

JUNAID AFZAL,
Section Officer.

MINISTRY OF PARLIAMENTARY AFFAIRS

Islamabad, the 17th March, 2021

No. F. 25(3)/2021-PA(Admn).—In pursuance of Establishment Division's Notification No. F. 4/50/2008-E-VII, dated 16th March, 2021, Mr. Najeeb Ullah Mandokhail, Section Officer (BS-18), has assumed the charge of the post of Section Officer (BS-18) in Ministry of Parliamentary Affairs on 17th March, 2021.

No. F. 2(6)/2019-PA(Admn).—Mr. Ghulam Sarwar, Deputy Secretary (N.A.), Ministry of Parliamentary Affairs is allowed to hold the current charge of the post of Joint Secretary (Admn) with immediate effect for a period of (03) three months or till to availability of regular incumbent of the post, whichever is earlier, in addition to his own duties.

2. This issues with the approval of Secretary, Ministry of Parliamentary Affairs.

HAFEEZULLAH KHAN,
Section Officer (Admn).

MINISTRY OF PLANNING, DEVELOPMENT & SPECIAL
INITIATIVES

[PLANNING COMMISSION]

Islamabad, the 18th March, 2021

No. 5(81)HRM-III/PD&SI/2021.—In pursuance of Office of the Auditor General of Pakistan's Notification No. 11-Dir (A)/2-3/21, dated 22nd February, 2021, Mr. Zulfiqar Ali, a BS-20 officer of Pakistan Audit & Accounts Service (PA&AS) has assumed charge of the post of Chief Finance & Accounts Officer (CF&AO), Ministry of Planning, Development & Special Initiatives, Islamabad on 15th March, 2021.

No. 6(35)HRM-III/PD&SI/2019.—In pursuance of Establishment Division's Notification No. 1-28/2012-E-2, dated 16th March, 2021, Mr. Naeem Iqbal, a BS-19 officer of Secretariat Group has relinquished the charge of the post of Deputy Secretary (BS-19), Ministry of Planning, Development & Special Initiatives with effect from 18th March, 2021.

INAM ULLAH KHAN,
Deputy Secretary.

Islamabad, the 18th March, 2021

No. 10(22)HRM-I/PDR/11.—On attaining the age of superannuation *i.e.* 60 years on 13th April, 2021,

Mr. Qamar Abbas, Chief (BS-20), Population & Social Planning Section, Ministry of Planning, Development and Special Initiatives shall stand retired from Government Service with effect from 14th April, 2021 in terms of Section 13 (1) (ii) of Civil Servants Act, 1973.

2. Consequent upon his option for encashment of LPR in lieu of 338 days, Mr. Qamar Abbas, Chief (BS-20) is entitled to receive each compensation for a maximum period of 338 days from 14th April, 2020 to 17th March, 2021 as he did not avail any leave during this period in terms of Finance Division's SRO No. 70/(KE)/2012 dated 1st September, 2012 and leave preparatory to retirement for 27 days with effect from 18th March, 2021 till 13th April, 2021.

SEHRISH GHAYAS,
Section Officer (HRM-I).

Islamabad, the 16th March, 2021

No. 15(2)Imp-I/PD&SI/2020.—The Secretary, M/o. Planning, Development and Special Initiatives has been pleased to grant extension in contractual periods of following existing employees of project titled "Institutional Strengthening & Efficiency Enhancement" (IS&EE), from 9th February, 2021 to 30th June 2021.

S. No. Name & Designations of Officers

1. Mr. Muhammad Asif Sheikh,
Consultant/Advisor (Dev Budget) (PPS-10)
2. Mr. Muhammad Afzal,
Consultant/Advisor (Dev Project) (PPS-10)
3. Mr. Muhammad Arshad,
Specialist (W.R) (PPS-09)
4. Mr. Ghulam Murtaza,
I.T. Programmer (PPS-07)
5. Mr. Muhammad Farooq Malik,
Research Associate (PPS-07)
6. Mr. Qamar Zaman,
Accountant (PPS-06).

Islamabad, the 17th March, 2021

No. 15(2)Imp-I/PD&SI/2020.—With the approval of Secretary/ competent authority Mr. Mushtaq Ahmed Raja, Joint Chief Economist, M/o. PD&SI, is allowed to hold Additional Charge of the post of Project Director in the project titled "Institutional Strengthening & Efficiency Enhancement" M/o. PD&SI, for a period of 90 days with effect from 14th February, 2021.

Islamabad, the 18th March, 2021

No. 15(2)Imp-I/PD&SI/2020.—Mr. Qamar Zaman, Accountant, Institutional Strengthening & efficiency Enhancement (IS&EE), Planning & Development Division is granted 15 days leave *Ex-Pakistan* on full pay from 15th March, 2021 to 30th March, 2021 to travel to Abu-Dhabi.

Islamabad, the 19th March, 2021

No. 9(2)Imp-I/PD&SI/2020.—The Secretary, Ministry of Planning, Development and Special Initiatives has been pleased to accord approval to the grant of extension in the contractual period of following officers in the Project titled "Development Communication" for a period of one year with effect from the date mentioned against each position.

S. No.	Name & Designation	PPS	Contract Period	
			From	To
1.	Ms. Ayesha Khan Program Officer (Electronic Media)	08	29-03-2021	28-03-2022
2.	Ms. Asima Sadia Program Officer (Social Media)	08	05-04-2021	04-04-2022
3.	Ms. Nadia Masood Khan Program Officer (Coordination)	08	14-04-2021	13-04-2022

SEHAR MANNOO,
Section Officer (Imp).

Islamabad, the 26th February, 2021

No. 48(34)/R.A/IEP/EF&E/PC/2021.—Consequent upon their acceptance of Terms & Conditions conveyed *vide* officer letter dated 16th February, 2021, Mr. Muhammad Ahmad Yousaf has been appointed against the post of Research Associate (PPS-07), on contract basis in the project titled "Integrated Energy Planning for Sustainable Development" M/o. PD&SI. His appointment is initially for a period of one year with effect from 17th February, 2021, unless otherwise terminated earlier under clause (xiii) of the offer letter.

2. He will draw salary package as per Finance Division (Regulation Wing's) O. M. No. F 4(9)R-14/2008, dated 19th July, 2017, with 5% annual increment and subsequent admissible increments approved by the Government from time to time, if any, out of provision of PSDP funded project titled "Integrated Energy Planning for Sustainable Development" M/o. PD&SI.

3. This issues with approval of the competent authority, M/o. PD&SI.

INAYAT ULLAH QURESHI,
Project Director.

MINISTRY OF PRIVATISATION

(Privatisation Division)

Islamabad, the 15th March, 2021

No. 2(4)/Admn/PD/2005.—With the approval of Competent Authority, Mr. Abdul Manan, Assistant Private

Secretary (BS-16), Privatisation Division is granted 15 days LFP from 8th March, 2021 to 22nd March, 2021.

2. On expiry of the above leave, the official is likely to resume his duty on 24th March, 2021 (23rd March, 2021 being closed holidays).

KHALID MAHMOOD,
Section Officer (Admn).

MINISTRY OF RAILWAYS

[RAILWAY BOARD]

Islamabad, the 12th March, 2021

No. Admn-IV/1957-P.—The competent authority (Secretary / Chairman Railways) has been pleased to grant fifteen (15) days LFP on medical grounds in favour of Mr. Muhammad Khalid, Director / Establishment, Ministry of Railways, Islamabad with effect from 4th March, 2021 to 18th March, 2021.

WAQAR AHMED,
Deputy Director /Admn-IV.

Islamabad, the 11th March, 2021

No. 6/3-3/2021-A-I.—The following transfers/postings are made with immediate effect and until further orders :-

- i) Mr. Amir Ali Baloch, (RCTG/BS-20), presently working as Chief Operating Superintendent, Pakistan Railways, HQs Office, Lahore is transferred and posted as Director General, Operation (BS-20), Ministry of Railways, Islamabad against a vacant post.
- ii) Mr. Shoaib Adil, (RCTG/BS-20), presently awaiting posting, is posted as Chief Operating Superintendent (Safety), Pakistan Railways, HQs Office, Lahore *vice* Mrs. Maryam Gilani, proceeded on leave.
- iii) Mr. Muhammad Sufian Sarfraz Dogar, (RCTG/BS-20), presently awaiting posting, is posted as Chief Operating Superintendent, Pakistan Railways, HQs Office, Lahore *vice* Amir Ali Baloch, transferred.
- iv) Mr. Haroon Rashid Mohmand, (RCTG/BS-20), presently awaiting posting, his services are placed at the disposal of Managing Director, Pakistan Railways Advisory & Consultancy Services (PRACS) for further posting.
- v) Mr. Jamshid Alam, (RCTG/BS-19), presently working as Deputy Chief Transportation Manager (Dry Port), Pakistan Railways, HQs Office, Lahore is transferred and posted as Director (Commercial), Pakistan Railways Freight Transportation Company (PRFTC), Lahore against a vacant post.

vi) Mr. Shah Rukh Afshar, (Civil/BS-20), presently working as General Manager (Welfare & Special Initiatives/BS-21/OPS) is transferred and directed to report to Ministry of Railways, Islamabad.

vii) Mr. Ali Muhammad Afridi, (Civil/BS-20), presently awaiting posting, is posted as Project Director, Rehabilitation of Flood Damages (RFD), Pakistan Railways, HQs Office, Lahore against a vacant post.

viii) Mr. Inamullah, (Civil/BS-20), presently working as project Director/Incharge, Rehabilitation of Track between Baruli - Sohan Bridge on Kundian Attock City Section is transferred and posted as Divisional Superintendent (BS-20), Pakistan Railways, Rawalpindi in his own pay & scale against a vacant post and also deputed to look after the work of Managing Director, RAILCOP, Islamabad.

ix) Mr. Azam Ghafoor, (Store & Purchase/BS-20), presently awaiting as Chief Controller of Purchases (BS-20), Pakistan Railways, HQs Office, Lahore is transferred and posted as Director (IT), Pakistan Railways, HQs Office, Lahore, relieving additional charge of Mr. Farooq Iqbal Malik.

x) Mr. Fawad Inam Cheema, (Store & Purchase/BS-20), presently awaiting posting, is posted as Director (Procurement), Pakistan Railways, Carriage Factory, Islamabad in his own pay & scale with effect from 22nd March, 2021 against the post to be vacated by Mr. Mehmood-ul-Hasan due to retirement.

xi) Mr. Sohail Iqbal Siddiqui, (Store & Purchase/BS-19), presently awaiting posting is posted as Chief Controller of Purchases (BS-20/OPS), Pakistan Railways, HQs Office, Lahore *vice* of Mr. Azam Ghafoor, transferred.

xii) Dr. Muhammad Zahid, (Medical/BS-20), presently working as Chief Medical & Health Officer, Pakistan Railways, Lahore is deputed to look after the work of General Manager (Welfare & Special Initiatives/BS-21), Pakistan Railways, HQs Office, Lahore, in addition to his own duties *vice* Mr. Shah Rukh Afshar, transferred.

2. This issues with the approval of Secretary Railways.

No. F. 5/139-1/1995-A-I.—In pursuance of the decision of the Federal Cabinet *vide* Case No. 172/Rule-19/2021 dated 25th February, 2021 conveyed by Ministry of Interior *vide* Notification No. F. 6-10/2018-CDA-II, dated 4th March, 2021, Syed Munawar Shah, a BS-20 officer of Civil Engineering Department, *Ex-Divisional Superintendent*, Pakistan Railways, Rawalpindi is hereby relieved from Pakistan Railways with effect from 4th March, 2021 to report to Capital Development Authority, Islamabad to join his new assignment as Member (Engineering), CDA Board.

2. This issues with the approval of Secretary Railways.

No. 5/334-3/2012-A-I.—The Competent Authority (Secretary Railways) is pleased to accept the resignation from Government Service tendered by Mr. Ahmer Bhatti, a BS-17 officer of Railways (Commercial & Transportation)

Group, Ex-Assistant Commercial Manager-I, Pakistan Railways, HQs, Lahore with immediate effect.

SHAHZAD ZAREEF,
Deputy Director (Admn-I).

Islamabad, the 3rd February, 2021

No. FW/EF/2020/NO-1/3.—In pursuance of Auditor General of Pakistan Islamabad's Notification No. 03-Dir(A)/2-3/21 dated 27th January, 2021, Mr. Barkat Saeed Memon has assumed the charge of the post of Member Finance, Ministry of Railways, (Railway Board) Islamabad on 1st February, 2021.

NAJAM BASHIR,
Deputy Director/Confdl.

MINISTRY OF RELIGIOUS AFFAIRS AND INTER FAITH
HARMONY

Islamabad, the 11th March, 2021

No. 13(1)/2014-FA.—On the recommendations of Departmental Selection Board (DSB) and with the approval of Secretary, Ministry of Religious Affairs and Interfaith Harmony, being the Appointing Authority, Mr. Rehan Abbas Khokhar, Deputy Director (Hajj) (BS-18), is hereby appointed as Director (Hajj) (BS-19) on Acting Charge basis in terms of Rule 8-B (1) of Civil Servants (Appointment, Promotion and Transfer) Rules, 1973 with effect from 26th August, 2020 and posted as Director, Directorate of Hajj, Multan.

No. 13(1)/2014-FA.—On the recommendations of Departmental Selection Board (DSB) and with the approval of Secretary, Ministry of Religious Affairs and Interfaith Harmony, being the Appointing Authority, Mr. Zahid Mahmood, Deputy Director (Hajj) (BS-18), is hereby Promoted as Director (Hajj) (BS-19) with effect from 26th August, 2020 and posted as Director, Directorate of Hajj, Lahore.

2. On promotion, the Officer will be on probation for a period of one year.

MUHAMMAD KHAN NAZ,
Section Officer (HA).

Islamabad, the 14th March, 2021

No. F. 10(1)/DD (Q)/2016.—In pursuance of the decision of the Central Ruet-e-Hilal Committee, in its meeting held today at Islamabad, the Federal Government in the Ministry of Religious Affairs and Interfaith Harmony hereby announce that the moon of Shaban 1442 AH has not sighted, therefore the 1st Shaban 1442 AH shall commence from Tuesday, the 16th March, 2021.

HAFIZ GHULAM MUSTAFA JAVEED,
Deputy Director.

MINISTRY OF SCIENCE & TECHNOLOGY

Islamabad, the 18th March, 2021

No. 3(5)/2021-Estt.II.—In pursuance of Office of the Auditor General of Pakistan's Notification No. 09-Dir(A)/2-2/20, dated 15th February, 2021 and Establishment Division's Notification No. 11/16/2017-E-I dated 8th March, 2021, Mr. Shahzad Naim has assumed the charge of the post of Chief Finance and Accounts Officer (BS-20), Ministry of Science & Technology with effect from 19th February, 2021.

SHAKIL ARSHAD,
Deputy Secretary (Admn).

Islamabad, the 15th March, 2021

No. 3(15)/2010-Estt.II.—With the approval of Secretary, Ministry of Science and Technology, Mr. Asif Akhtar Mughal, Deputy Electronics Adviser (BS-19) of this Ministry is hereby granted 120 days leave on full pay with effect from 15th March, 2021 to 12th July, 2021.

Islamabad, the 16th March, 2021

No. 3(6)/2018-Estt.II.—With the approval of Additional Secretary, Ministry of Science & Technology, Mr. Qaiser Baig, Assistant (BS-16) of this Ministry is assigned current charge of the post of Section Officer (Council) (BS-17) for a period of three months with effect from 11th March, 2021 to 8th June, 2021 or till posting of the Section Officer by the Establishment Division, whichever is earlier.

No. 4(448)/2019-Estt.II.—With the approval of Joint Secretary (Admn), Ministry of Science and Technology, Mr. Hamid Usman Awan, Assistant Private Secretary (BS-16) of this Ministry is hereby granted 30 days leave on full pay with effect from 16th March, 2021 to 14th April, 2021.

No. 4(305)/2002-Estt.I.—Consequent upon the recommendations of Departmental Promotion Committee (DPC) and with the approval of competent authority *i.e.* Joint Secretary (Admn), Ministry of Science and Technology, Mr. Muhammad Bilal, Stenotypist (BS-14) of this Ministry is promoted to the post of Assistant Private Secretary (BS-16) with immediate effect.

He is placed on probation for a period of one year under Rule-21 of Civil Servants (Appointment, Promotion & Transfer) Rules, 1973.

No. 4(305)/2002-Estt.I.—Consequent upon the recommendations of Departmental Promotion Committee (DPC) and with the approval of competent authority *i.e.* Joint Secretary (Admn), Ministry of Science and Technology, Mr. Muhammad Tayyab, Stenotypist (BS-14) of this Ministry is promoted to the post of Assistant Private Secretary (BS-16) with immediate effect.

He is placed on probation for a period of one year under Rule-21 of Civil Servants (Appointment, Promotion & Transfer) Rules, 1973.

No. 4(305)/2002-Estt.I.—Consequent upon the recommendations of Departmental Promotion Committee (DPC) and with the approval of competent authority *i.e.* Joint Secretary (Admn), Ministry of Science and Technology, Mr. Usman Arshad, Stenotypist (BS-14) of this Ministry is promoted to the post of Assistant Private Secretary (BS-16) with immediate effect.

2. He is placed on probation for a period of one year under Rule-21 of Civil Servants (Appointment, Promotion & Transfer) Rules, 1973.

No. 4(305)/2002-Estt.I.—Consequent upon the recommendations of Departmental Promotion Committee (DPC) and with the approval of competent authority *i.e.* Joint Secretary (Admn), Ministry of Science and Technology, Mr. Salman, Stenotypist (BS-14) of this Ministry is promoted to the post of Assistant Private Secretary (BS-16) with immediate effect.

2. He is placed on probation for a period of one year under Rule-21 of Civil Servants (Appointment, Promotion & Transfer) Rules, 1973.

SAQIB MANZOOR,
Section Officer (Estt).

NATIONAL ASSEMBLY SECRETARIAT

Islamabad, the 25th May, 2021

No. F. 1(3)/2017-HRD/99.—In pursuance of Establishment Division's Letter No. F. 5/50/2021-T-II/29th SMC dated 7th May, 2021 Mr. Muhammad Usman Ali, Deputy Secretary (BS-19) in the National Assembly Secretariat is allowed to attend the 29th Senior Management Course (SMC) at National Institute of Management (NIM), Islamabad, commencing from 28th May, 2021.

SHEHRYAR KHAN,
Section Officer.

SENATE SECRETARIAT

Islamabad, the 27th May, 2021

No. G(155)/2006-HRM (53).—Mr. Akhunzada Attaullah Khan Malik, Deputy Director (Research) (BPS-18), Senate Secretariat, Islamabad, is granted subject to title 15 days rest & recreation leave in lieu of 10 days leave on full pay with effect from 17th May, 2021 with permission to leave the station.

After expiry of the leave, he is likely to resume duty of the same post at Islamabad.

Islamabad, the 28th May, 2021

No. G(113)/1995-HRM (55).—On attaining the age of superannuation, Mr. Mohsin Abbas Zaidi, Director (Editing)

(BPS-19), Senate Secretariat, Islamabad, shall stand retire from Government service with effect from 15th January, 2022 (His date of birth is 15th January, 1962).

The officer has opted for encashment of leave preparatory to retirement.

No. M(600)/2008-HRM (54).—Mr. Zahir Akhtar, Assistant Director (BPS-17), Senate Secretariat, Islamabad, is granted, subject to title, 05 days leave on full pay with effect from 3rd May, 2021 with permission to prefix Saturday and Sunday falling on 1st & 2nd May, 2021 and to suffix Saturday and Sunday falling on 8th and 9th May, 2021 and Eid holidays from 10 to 16th May, 2021, respectively to the leave.

After expiry of the leave, he is likely to resume duty of the same post on 17th May, 2021 at Islamabad.

ZAHOOR AHMED,
Section Officer (HRM-I).

SUPREME COURT OF PAKISTAN

Islamabad, the 26th May, 2021

No. F. 24/875/2017-SCA.—In supersession of this Court's notification of even number dated 3rd April, 2021 and in continuation of this Court's notification of even number dated 7th April, 2020 and in pursuance of Notification No. 44/RHC/D&SJ, dated 20th May, 2021 issued by the Lahore High Court, Lahore, Mr. Amer Saleem Rana, Addl. District & Sessions Judge (BS-20), who is presently working in the Supreme Court of Pakistan as Additional Registrar (BS-20) on deputation basis, on promotion as District & Sessions Judge (BS-21), is allowed to actualize his services in BS-21 Additional Registrar with effect from 7th April, 2021 and he is allowed to continue as such on deputation basis for a further period of one year with effect from 7th April, 2021.

On actualization of his services in BS-21, Mr. Amer Saleem Rana is appointed as Additional Registrar (BS-21) with effect from 7th April, 2021. He is allowed to draw deputation allowance @ 20% of his basic pay subject to maximum of Rs. 12,000/- per month and other usual allowances as may be admissible to the employees of this Court, from time to time.

This issues with the approval of the *Hon'ble* Chief Justice of Pakistan.

PERVAIZ IQBAL,
Assistant Registrar (Admn).

FEDERAL SHARIAT COURT

Islamabad, the 22nd May, 2021

No. F. 9(4)/2004-Admn-FSC.—In continuation of this Court's notification of even number dated 19th May, 2021, during the period of Summer Holidays, the following

arrangements have been made for hearing and disposal of all urgent matters which may require to be dealt with immediately:-

- a. Hon'ble Chief Justice wherever available,
- b. In the absence of Hon. Chief Justice, the next senior most Judge available at any place at Islamabad/Lahore/Karachi/Peshawar/Quetta.
- c. In case no Judge is available at the principal seat or at any particular Bench Registry, the petitioner may reach the nearest Bench Registry where any Hon.Judge is available.

GHULAM RASOOL,
Deputy Registrar (Admn).

Islamabad, the 20th May, 2021

No. F. 1(47)/80-Admn-FSC.—In pursuance of Cabinet Division's Letter No. 6/7/2011-CPC, dated 12th December, 2011 and in exercise of powers conferred under Rule 5 of the Federal Shariat Court (Terms & Conditions of Service of Staff) Rules, 1982, the Hon'ble Chief Justice, Federal

Shariat Court has been pleased to allow the benefit of Policy for Monetization of Transport Facility to Mr. Muhammad Abdul Latif Baloch, Deputy Registrar (BPS-20) of this Court @ Rs. 65,960/- per month with effect from 20th April, 2021.

MUHAMMAD ILYAS,
Assistant Registrar (Admin).

FEDERAL JUDICIAL ACADEMY

Islamabad, the 20th May, 2021

No. 24(236)/2018-FJA.—In exercise of the powers conferred by sub-section (3) of Section 11 of the Federal Judicial Academy Act, 1997 (XXVIII of 1997), the Hon-ble' Chairman, Board of Governors of the Federal Judicial Academy, in consultation with the Peshawar High Court, Peshawar, is pleased to extend the period of appointment on deputation of Mr. Fakhar Zaman as Director (BPS-21), Federal Judicial Academy for a period of two years with effect from 2nd July, 2021 on usual terms and conditions.

MUHAMMAD ALI,
Director Administration.



PUBLISHED BY AUTHORITY

KARACHI, WEDNESDAY, JULY 21, 2021

PART II

Notifications issued by Ministry of Defence and Ministry of Defence Production

Karachi, the 21st July, 2021

MINISTRY OF DEFENCE

(Defence Division)

No. 427/2021:

The following 469 Officers have been granted substantive rank of Captain, with effect from 22nd April, 2018 :-

Ser.	PA No.	Rank	Name	Arm.
1.	PA-51152	Capt. Now Maj.	Hassaan Ahmad	Punjab
2.	PA-51153	Capt. Now Maj.	Mohsin Mustafa	Arty
3.	PA-51154	Capt.	Saqib Hayat Awan	FF
4.	PA-51155	Capt. Now Maj.	Syed Hassan Saleem	Baloch
5.	PA-51156	Capt. Now Maj.	Waqas Mehmood Khan	AD
6.	PA-51157	Capt. Now Maj.	Makhdoom Zada Abdul Basit	Punjab
7.	PA-51158	Capt. Now Maj.	Muhammad Waqar Shahid	AC
8.	PA--51159	Capt. Now Maj.	Ahsan Chamkar	AC
9.	PA-51160	Capt. Now Maj.	Irfan ul Hassan Qazi	Sindh

Ser.	PA No.	Rank	Name	Arm.
10.	PA-51161	Capt. Now Maj.	Hamza Afzal	AD
11.	PA-51162	Capt. Now Maj.	Hammad Tariq	AD
12.	PA-51163	Capt. Now Maj..	Muhammad Farooq	Arty
13.	PA-51164	Capt. Now Maj.	Muhammad Suleman	Engrs.
14.	PA-51165	Capt. Now Maj.	Zain ul Abidin Muzaffar	Arty
15.	PA-51166	Capt.	Saad Javaid	Arty.
16.	PA-51167	Capt. Now Maj.	Zaigham Abbas	Arty.
17.	PA--51168	Capt. Now Maj.	Awais Bin Riaz	Sigs.
18.	PA-51169	Capt. Now Maj.	Ali Abbas Jafri	AC
19.	PA-51170	Capt. Now Maj.	Muhammad Shamikh Khan	Arty
20.	PA-51171	Capt. Now Maj.	Kamran Khan	AK
21.	PA-51172	Capt. Now Maj.	Abdul Wahab	NLI
22.	PA-51173	Capt. Now Maj.	Taqadus Abbas	AK
23.	PA-51174	Capt. Now Maj.	Muhammad Amir Sajjad	FF
24.	PA-51175	Capt.	Hassan Raza	CMI
25.	PA-51176	Capt.	Hashim Sarwar Warraich	AD
26.	PA-51177	Capt. Now Maj.	Muhammad Sohail Yasin	Punjab
27.	PA-51178	Capt. Now Maj.	Noshad Karim	Sigs.
28.	PA-51179	Capt. Now Maj.	Muhammad Israr	AD

Ser.	PA No.	Rank	Name	Arm.
29.	PA-51180	Capt. Now Maj.	Asghar Zeb	ASC
30.	PA-51181	Capt. Now Maj.	Hafiz Muhammad Muaz Munawar	Engrs.
31.	PA-51182	Capt. Now Maj.	Usman Shahid	FF
32.	PA-51183	Capt.	Sohail Zahoor	Sindh
33.	PA-51184	Capt. Now Maj.	Nouman Nasir	Arty
34.	PA-51185	Capt. Now Maj.	Ahmad Jabar Sultan	AK
35.	PA-51186	Capt. Now Maj.	Shahid Bashir	AK
36.	PA-51187	Capt. Now Maj.	Muhammad Farhan Aslam	Arty
37.	PA-51188	Capt.	Hammad Alam Zeb	Avn.
38.	PA-51189	Capt. Now Maj.	Syed Sabeeh-ul-Hassan Bukhari	Sigs
39.	PA-51190	Capt. Now Maj.	Muhammad Zakaria Shah	Sigs.
40.	PA-51191	Capt. Now Maj.	Hasnain Elahi	AK
41.	PA-51192	Capt. Now Maj.	Muhammad Abbas Khan Saqi	NLI
42.	PA-51193	Capt. Now Maj.	Syed Moeen-ul-Haq Shah	AK
43.	PA-51194	Capt. Now Maj.	Muhammad Haroon Tariq	Punjab
44.	PA-51195	Capt. Now Maj.	Zeeshan Mehmood Khan	Arty
45.	PA-51196	Capt.	Muhammad Sayyam Saddique	Sigs.
46.	PA-51197	Capt. Now Maj.	Muhammad Saqib	ASC
47.	PA-51198	Capt. Now Maj.	Imran Hassan	Baloch

Ser.	PA No.	Rank	Name	Arm.
48.	PA-51199	Capt. Now Maj.	Usman Arif	Baloch
49.	PA-51200	Capt.	Mehmood-ul-Hassan	NLI
50.	PA-51201	Capt. Now Maj.	Mansoor Akhtar	Engrs.
51.	PA-51202	Capt. Now Maj.	Umer Zahid	FF
52.	PA-51203	Capt. Now Maj.	Waqar-ul-Hussan Awan	Baloch
53.	PA-51204	Capt.	Muhammad Salman	AK
54.	PA-51205	Capt. Now Maj.	Muhammad Junaid Amin	AK
55.	PA-51206	Capt.	Khurram Fayyaz	Engrs.
56.	PA-51207	Capt.	Ata ur Rahman	Sindh
57.	PA-51208	Capt. Now Maj.	Muhammad Hamza Ali	Sigs.
58.	PA-51209	Capt. Now Maj.	Khair Muhammad	Ord.
59.	PA-51210	Capt. Now Maj.	Haseeb ur Rehman	Baloch
60.	PA-51211	Capt. Now Maj.	Assad Ali	FF
61.	PA-51212	Capt. Now Maj.	Shiekh Saleem Yousuf	AD
62.	PA-51213	Capt. Now Maj.	Jawad Mehmood	FF
63.	PA-51214	Capt. Now Maj.	Adnan Khan Niazi	Arty
64.	PA-51215	Capt. Now Maj.	Ali Khalid	Arty
65.	PA-51216	Capt. Now Maj.	Sultan Ullah Qasim	AD
66.	PA-51217	Capt. Now Maj.	Muhammad Khizar	Sigs.

Ser.	PA No.	Rank	Name	Arm.
67.	PA-51218	Capt. Now Maj.	Muhammad Kaleem	Sigs.
68.	PA-51219	Capt. Now Maj.	Usman Zaffar Abbasi	Baloch
69.	PA-51220	Capt. Now Maj.	Ali Iqbal	Arty
70.	PA-51221	Capt. Now Maj.	Ali Nazir Chattah	Arty
71.	PA-51222	Capt.	Usman Ali Shah	Sigs.
72.	PA-51223	Capt. Now Maj.	Ausaf Asim	FF
73.	PA-51224	Capt. Now Maj.	Naeem Ahmad Khan	Arty.
74.	PA-51225	Capt. Now Maj.	Muhammad Qasim Ali	AC
75.	PA-51226	Capt. Now Maj.	Adnan Khan	Sindh
76.	PA-51228	Capt. Now Maj.	Muhammad Uzair Zaffar	Punjab
77.	PA-51229	Capt. Now Maj.	Taimoor Ali Awan	Arty
78.	PA-51230	Capt. Now Maj.	Sharjeel Farman	Baloch
79.	PA-51231	Capt. Now Maj.	Salman Umar	AK
80.	PA-51232	Capt. Now Maj.	Zahid Ullah Khan	Baloch
81.	PA-51233	Capt. Now Maj.	Muhammad Awais Waris	AK
82.	PA-51234	Capt. Now Maj.	Abeer Ahmad Jadoon	Engrs.
83.	PA-51235	Capt. Now Maj.	Faheem Baig	NLI
84.	PA-51236	Capt. Now Maj.	Abdullah Kamran	FF
85.	PA-51238	Capt. Now Maj.	Zarak Khan	FF

Ser.	PA No.	Rank	Name	Arm.
86.	PA-51239	Capt. Now Maj.	Sajjid Akhtar	CMI
87.	PA-51240	Capt. Now Maj.	Adil	NLI
88.	PA-51241	Capt. Now Maj.	Amir Nawaz	FF
89.	PA-51242	Capt. Now Maj.	Junaid Nadeem	AC
90.	PA-51243	Capt. Now Maj.	Muhammad Hassan Khalid	AK
91.	PA-51244	Capt.	Omar Niaz	Ord.
92.	PA-51245	Capt. Now Maj.	Bilal Tahir	AD
93.	PA-51246	Capt. Now Maj.	Syed Faisal Hussain Shah	Punjab
94.	PA-51247	Capt. Now Maj.	Muhammad Talha Bin Kafeel	Baloch
95.	PA-51248	Capt. Now Maj.	Zarak Farooq	AK
96.	PA-51249	Capt. Now Maj.	Saim Ahmad	AD
97.	PA-51250	Capt. Now Maj.	Kaleem Ullah	Sindh
98.	PA-51251	Capt. Now Maj.	Faheem Khan	Arty
99.	PA-51252	Capt. Now Maj.	Azmar Ali	CMI
100.	PA-51253	Capt. Now Maj.	Saleem Shakoor	Baloch
101.	PA-51254	Capt. Now Maj.	Muhammad Kamran Khan Talib	Arty
102.	PA-51255	Capt. Now Maj.	Aitzaz Hassan	AC
103.	PA-51256	Capt. Now Maj.	Muhammad Haroon Ahsan	Arty
104.	PA-51257	Capt. Now Maj.	Raja Danial Sohrab	AC

Ser.	PA No.	Rank	Name	Arm.
105.	PA-51258	Capt. Now Maj.	Hassan Khurshid	Sigs.
106.	PA-51259	Capt. Now Maj.	Syed Mohsin Ali	Arty
107.	PA-51260	Capt. Now Maj.	Muhammad Waqas	AC
108.	PA-51261	Capt. Now Maj.	Muhammad Fareed Hamid	Sigs.
109.	PA-51262	Capt. Now Maj.	Hafiz Sheikh Hussain Ghani	AD
110.	PA-51263	Capt. Now Maj.	Osama	Punjab
111.	PA-51264	Capt.	Saqib Riaz	Punjab
112.	PA-51266	Capt. Now Maj.	Imran Khan	NLI
113.	PA-51267	Capt. Now Maj.	Hafiz Muhammad Adbul Salam	Sigs.
114.	PA-51269	Capt.	Hafiz Hassan Abdul Rehman	AK
115.	PA-51270	Capt. Now Maj.	Rustam Khan Kakar	FF
116.	PA-51271	Capt. Now Maj.	Nouman Asghar	Arty
117.	PA-51272	Capt. Now Maj.	Ahsan Ahmed	Ord.
118.	PA-51273	Capt. Now Maj.	Imran Ali	Arty
119.	PA-51274	Capt. Now Maj.	Muhammad Arslan Arshad	AD
120.	PA-51275	Capt. Now Maj.	Waqas Masih	Arty
121.	PA-51276	Capt. Now Maj.	Syed Usman Shah	NLI
122.	PA-51277	Capt. Now Maj.	Muhammad Asif Khan	AC
123.	PA-51278	Capt. Now Maj.	Umar Abbas	AK

Ser.	PA No.	Rank	Name	Arm.
124.	PA-51279	Capt. Now Maj.	Aftab Alam	Avn.
125.	PA-51280	Capt. Now Maj.	Shahzad Hussain Shahzad	FF
126.	PA-51281	Capt. Now Maj.	Raja Aftab Alam Kiyani	AD
127.	PA-51282	Capt.	Nauman Ahmad	AD
128.	PA-51283	Capt. Now Maj.	Shoaib Shafique	ASC
129.	PA-51284	Capt. Now Maj.	Haris Uzair Kayani	Avn.
130.	PA-51285	Capt. Now Maj.	Mudassar Abbas	Arty
131.	PA-51286	Capt. Now Maj.	Sayed Mujeeb Ali Shah	Arty
132.	PA-51287	Capt. Now Maj.	Sohail Ahmed Mughal	Ord.
133.	PA-51288	Capt. Now Maj.	Muhammad Ali Riaz	Baloch
134.	PA-51289	Capt. Now Maj.	Ahsan Murad Chishti	Punjab
135.	PA-51290	Capt. Now Maj.	Salman Ali	Baloch
136.	PA-51291	Capt.	Shahid Ali	Sigs.
137.	PA-51292	Capt.	Tajdar	FF
138.	PA-51293	Capt. Now Maj.	Sana Ullah	Sindh
139.	PA-51294	Capt. Now Maj.	Muhammad Ahsan Tariq	Engrs.
140.	PA-51295	Capt. Now Maj.	Muhammad Ishfaq Bhatti	Engrs.
141.	PA-51296	Capt. Now Maj.	Sakhawat Ali Sakhi	AD
142.	PA-51297	Capt. Now Maj.	Haseeb Arif	Sigs.

Ser.	PA No.	Rank	Name	Arm.
143.	PA-51298	Capt. Now Maj.	Umiar Mehmood Khattak	Arty
144.	PA-51299	Capt.	Muhammad Umer Khan	Punjab
145.	PA-51300	Capt.	Ihtisham Khan	Engrs.
146.	PA-51301	Capt. Now Maj.	Wali Ullah Khan	Avn.
147.	PA-51302	Capt.	Jaseem Ahmad	Engrs.
148.	PA-51303	Capt. Now Maj.	Muhammad Danish Nasir	Baloch
149.	PA-51304	Capt. Now Maj.	Muhammad Uzair Ashraf	Arty
150.	PA-51305	Capt. Now Maj.	Muhammad Annas Bin Khalil	AD
151.	PA-51306	Capt. Now Maj.	Hassan Ali Akbar	Arty
152.	PA-51308	Capt. Now Maj.	Muhammad Fakhar-ur-Rehman	Engrs.
153.	PA-51309	Capt. Now Maj.	Abid Yaqoob	Arty
154.	PA-51310	Capt. Now Maj.	Yasir Shahbaz Anwar	Arty
155.	PA-51311	Capt. Now Maj.	Nosherwan Arshad Kayani	Avn.
156.	PA-51312	Capt. Now Maj.	Muhammad Liaqat	Arty
157.	PA-51313	Capt. Now Maj.	Muhammad Nashiz Zahoor	Avn.
158.	PA-51314	Capt. Now Maj.	Shaida Muhammad	AD
159.	PA-51315	Capt. Now Maj.	Syed Ihtesham Ahmad Shah	Sigs.
160.	PA-51316	Capt. Now Maj.	Ahmed Raza Khan	AK
161.	PA-51317	Capt.	Usama Ahmed	FF

Ser.	PA No.	Rank	Name	Arm.
162.	PA-51318	Capt. Now Maj.	Muhammad Suleman Khan	Sindh
163.	PA-51319	Capt.	Muhammad Asif	FF
164.	PA-51320	Capt. Now Maj.	Yawar Ali Khan	AC
165.	PA-51321	Capt.	Muhammad Tahir Sohail	Sindh
166.	PA-51322	Capt. Now Maj.	Zaraq	AC
167.	PA-51323	Capt. Now Maj.	Kashif Javed	Punjab
168.	PA-51324	Capt. Now Maj.	Muhammad Bilal Arif	Baloch
169.	PA-51325	Capt. Now Maj.	Nasir Awais	AD
170.	PA-51326	Capt. Now Maj.	Syed Awais Hussain Kazmi	Punjab
171.	PA-51327	Capt. Now Maj.	Awais Ali Khan	Arty
172.	PA-51328	Capt. Now Maj.	Muhammad Nadeem	AD
173.	PA-51329	Capt. Now Maj.	Muhammad Nasir Hayat	Punjab
174.	PA-51330	Capt. Now Maj.	Jahanzeb	AC
175.	PA-51331	Capt. Now Maj.	Choudhary Muhammad Usman	FF
176.	PA-51332	Capt. Now Maj.	Ubaid Ullah	Arty
177.	PA-51333	Capt. Now Maj.	Fakhar Hameed	Arty
178.	PA-51334	Capt. Now Maj.	Adeem-ul-Waqar	Sigs.
179.	PA-51335	Capt. Now Maj.	Zia Ur Rehman	Engrs.
180.	PA-51336	Capt. Now Maj.	Khawar Saeed	Sigs.

Ser.	PA No.	Rank	Name	Arm.
181.	PA-51337	Capt. Now Maj.	Adnan Ayaz	NLI
182.	PA-51338	Capt. Now Maj.	Faheem Ahmad Khan	AC
183.	PA-51339	Capt. Now Maj.	Waleed Akhtar	Sigs.
184.	PA-51340	Capt. Now Maj.	Muhammad Shahzad	Punjab
185.	PA-51341	Capt. Now Maj.	Muhammad Usman	Baloch
186.	PA-51342	Capt. Now Maj.	Rasheed Ahmed	FF
187.	PA-51343	Capt. Now Maj.	Shafaat Ali Malik	Avn.
188.	PA-51344	Capt. Now Maj.	Muhammad Arsalan Adil	Arty
189.	PA-51345	Capt. Now Maj.	Muhammad Sajjad	Sindh
190.	PA-51346	Capt. Now Maj.	Nasir Khan	AC
191.	PA-51347	Capt. Now Maj.	Ahmad Adnan ur Rasheed	Punjab
192.	PA-51348	Capt. Now Maj.	Muhammad Rafey Nawab	AC
193.	PA-51349	Capt. Now Maj.	Muhammad Zeshan Arshad	Sigs.
194.	PA-51350	Capt. Now Maj.	Hammad Zohrab Abbasi	Engrs.
195.	PA-51351	Capt. Now Maj.	Muhammad Usman Siddique	Punjab
196.	PA-51352	Capt. Now Maj.	Andeel Waqar	Arty
197.	PA-51353	Capt. Now Maj.	Haseeb	Baloch
198.	PA-51354	Capt. Now Maj.	Kashif Saleem	Baloch
199.	PA-51355	Capt. Now Maj.	Zarbakht Khan	AC

Ser.	PA No.	Rank	Name	Arm.
200.	PA-51357	Capt.	Qamar Gulzar	Sigs.
201.	PA-51358	Capt. Now Maj.	Awais Khan	AK
202.	PA-51359	Capt.	Saddam Hussain	Engrs.
203.	PA-51360	Capt. Now Maj.	Mazhar Abbas	FF
204.	PA-51361	Capt.	Muhammad Mashhood Khan	Arty
205.	PA-51362	Capt.	Abdul Rashid Minhas Khan	Punjab
206.	PA-51363	Capt. Now Maj.	Babar Khan	Arty
207.	PA-51364	Capt. Now Maj.	Abdul Ghaffar	Baloch
208.	PA-51365	Capt. Now Maj.	Zaghum Abbas	AK
209.	PA-51366	Capt. Now Maj.	Rashid Mehmood	Arty
210.	PA-51367	Capt. Now Maj.	Waqar Malik	Arty
211.	PA-51368	Capt. Now Maj.	Anza Ali Khan	ASC
212.	PA-51369	Capt. Now Maj.	Irfan Hameed	CMI
213.	PA-51370	Capt. Now Maj.	Wajahat Ali	Ord.
214.	PA-51371	Capt. Now Maj.	Muhammad Sajjad	Arty
215.	PA-51372	Capt. Now Maj.	Zeeshan Ali Abbas	Sigs.
216.	PA-51373	Capt. Now Maj.	Jawad Ali Baloch	Engrs.
217.	PA-51374	Capt. Now Maj.	Muhammad Adil Riaz	Engrs.
218.	PA-51375	Capt. Now Maj.	Fazal ur Rehman	Punjab

Ser.	PA No.	Rank	Name	Arm.
219.	PA-51376	Capt. Now Maj.	Muhammad Abubakar Malik	ASC
220.	PA-51378	Capt. Now Maj.	Usman Ishaq Jarral	Avn.
221.	PA-51379	Capt. Now Maj.	Farooq Haider	AD
222.	PA-51380	Capt. Now Maj.	Ahmed Hashmi	Avn.
223.	PA-51381	Capt.	Ejaz Ahmed Badini	Sindh
224.	PA-51382	Capt. Now Maj.	Tahir Ali	ASC
225.	PA-51383	Capt. Now Maj.	Muhammad Yousaf Sidique	Avn.
226.	PA-51384	Capt.	Obaid Ullah Khan	NLI
227.	PA-51385	Capt. Now Maj.	Jamal Khalid	Arty
228.	PA-51386	Capt. Now Maj.	Waleed Ahmed	Sigs.
229.	PA-51387	Capt.	Samiullah	Avn
230.	PA-51388	Capt. Now Maj.	Sadi Ahmad	Avn
231.	PA-51389	Capt. Now Maj.	Junaid Akhtar	Arty
232.	PA-51390	Capt. Now Maj.	Arslan Khalid	Arty
233.	PA-51391	Capt. Now Maj.	Wajhee Maqbool	Arty
234.	PA-51392	Capt. Now Maj.	Najam ul Hassan	Sigs.
235.	PA-51393	Capt. Now Maj.	Zarrar Aslam	ASC
236.	PA-51394	Capt.	Hamza Ahmad	AC
237.	PA-51395	Capt. Now Maj.	Muhammad Aarsal Majeed	AD

Ser.	PA No.	Rank	Name	Arm.
238.	PA-51396	Capt. Now Maj.	Ubaid Ullah Chaughtai	Arty
239.	PA-51397	Capt. Now Maj.	Syed Zulqarnain Haider	AK
240.	PA-51398	Capt. Now Maj.	Muhammad Tayyab Altaf	Engrs.
241.	PA-51399	Capt. Now Maj.	Muhammad Yasir	Arty
242.	PA-51400	Capt. Now Maj.	Muhammad Haris Ullah	FF
243.	PA-51401	Capt. Now Maj.	Rai Muhammad Sultan	NLI
244.	PA-51402	Capt. Now Maj.	Shoaib Iftikhar	Baloch
245.	PA-51403	Capt. Now Maj.	Muhammad Ahmad Razzaq	NLI
246.	PA-51404	Capt. Now Maj.	Muhammad Umar	Sigs.
247.	PA-51405	Capt. Now Maj.	Ahmed Irfan	AK
248.	PA-51406	Capt. Now Maj.	Syed Muhammad Shams UI Abbas Shah	ASC
249.	PA-51407	Capt. Now Maj.	Ramiz Afzal	Punjab
250.	PA-51408	Capt. Now Maj.	Kamran Haider	AD
251.	PA-51409	Capt. Now Maj.	Asad Ahmad	Engrs.
252.	PA-51410	Capt. Now Maj.	Muhammad Umar	AD
253.	PA-51411	Capt. Now Maj.	Muhammad Saqib Islam	Arty
254.	PA-51412	Capt. Now Maj.	Mehmood	Baloch
255.	PA-51413	Capt. Now Maj.	Asif Khan Mahar	AC
256.	PA-51414	Capt. Now Maj.	Salman Haider	AC

Ser.	PA No.	Rank	Name	Arm.
257.	PA-51415	Capt. Now Maj.	Anees Nawab	Arty
258.	PA-51416	Capt. Now Maj.	Syed Umair Muzaffar	AC
259.	PA-51417	Capt. Now Maj.	Muhammad Haseeb Arshad	Engrs.
260.	PA-51418	Capt. Now Maj.	Muhammad Ahsan	Sindh
261.	PA-51419	Capt. Now Maj.	Faique Murad	Punjab
262.	PA-51420	Capt. Now Maj.	Ali Raza Tahir	ASC
263.	PA-51421	Capt. Now Maj.	Muhammad Bilal Zaberdest	FF
264.	PA-51422	Capt. Now Maj.	Hassan Masood	Sigs.
265.	PA-51423	Capt. Now Maj.	Ammad Zafar	Avn.
266.	PA-51424	Capt. Now Maj.	Syed Usama Ali Wasti	AD
267.	PA-51425	Capt. Now Maj.	Ahmar Abbasi	Punjab
268.	PA-51426	Capt. Now Maj.	Mujeeb ur Rehman	AK
269.	PA-51427	Capt. Now Maj.	Noman Hayat	Arty
270.	PA-51428	Capt. Now Maj.	Malik Asad	Arty
271.	PA-51429	Capt. Now Maj.	Muhammad Nadeem Khan	Arty
272.	PA-51431	Capt. Now Maj.	Muhammad Faisal	Punjab
273.	PA-51432	Capt. Now Maj.	Babar Khan	Punjab
274.	PA-51433	Capt.	Muhammad Sajjad	Engrs.
275.	PA-51434	Capt. Now Maj.	Muhammad Zeeshan	ASC

Ser.	PA No.	Rank	Name	Arm.
276.	PA-51435	Capt. Now Maj.	Awais Mahmood	Baloch
277.	PA-51436	Capt. Now Maj.	Munir Ahmed	Avn.
278.	PA-51437	Capt. Now Maj.	Irsalan Safdar	Baloch
279.	PA-51438	Capt. Now Maj.	Muhammad Junaid Farid	Sigs.
280.	PA-51439	Capt. Now Maj.	Israr-ul-Haq	AK
281.	PA-51441	Capt. Now Maj.	Syed Abis Mujtaba	Engrs.
282.	PA-51442	Capt.	Syed Naseem Abbas	Arty
283.	PA-51443	Capt. Now Maj.	Muhammad Ali Ahmed	AC
284.	PA-51444	Capt. Now Maj.	Faisal Yousaf	Avn.
285.	PA-51445	Capt. Now Maj.	Muhammad Faheem	Arty
286.	PA-51446	Capt. Now Maj.	Raja Arslan Zafar	FF
287.	PA-51447	Capt. Now Maj.	Obaid Amin Khan	Baloch
288.	PA-51449	Capt.	Fakhar Kamran Baluch	Baloch
289.	PA-51450	Capt. Now Maj.	Mian Abdullah Shah	Arty
290.	PA-51451	Capt. Now Maj.	Zubair Mahmood	ASC
291.	PA-51452	Capt. Now Maj.	Hassan Bilal Dar	Ord.
292.	PA-51453	Capt. Now Maj.	Samid Khan	AK
293.	PA-51454	Capt. Now Maj.	Muhammad Zain	Sindh
294.	PA-51455	Capt. Now Maj.	Mushtaque Ali	Arty

Ser.	PA No.	Rank	Name	Arm.
295.	PA-51456	Capt. Now Maj.	Hamza Ajmal	AC
296.	PA-51458	Capt. Now Maj.	Shaikh Muneeb Ahmad	Sindh
297.	PA-51459	Capt. Now Maj.	Umair Raza	Arty
298.	PA-51460	Capt. Now Maj.	Moseb Shah	Sigs.
299.	PA-51461	Capt. Now Maj.	Faisal Usman	Punjab
300.	PA-51462	Capt. Now Maj.	Asfandyar Ali Khan	Sigs.
301.	PA-51463	Capt. Now Maj.	Khurram Zahid	Baloch
302.	PA-51464	Capt. Now Maj.	Muhammad Kashif Hussain	AK
303.	PA-51465	Capt. Now Maj.	Basim Ahmed Abdullah	ASC
304.	PA-51466	Capt. Now Maj.	Mohsin Imran	Arty
305.	PA-51467	Capt. Now Maj.	Awais Shabbir	Sindh
306.	PA-51468	Capt. Now Maj.	Muhammad Adil Zulfiqar	Arty
307.	PA-51470	Capt. Now Maj.	Adnan Shahid	Arty
308.	PA-51471	Capt. Now Maj.	Muhammad Saib	Punjab
309.	PA-51472	Capt. Now Maj.	Muhammad Abdul Aleem	Arty
310.	PA-51473	Capt. Now Maj.	Muhammad Jahangir Khan	Avn.
311.	PA-51474	Capt. Now Maj.	Farhan Sarwar	Baloch
312.	PA-51475	Capt. Now Maj.	Irfan Nawaz	Sindh
313.	PA-51476	Capt. Now Maj.	Muhammad Ali Azhar	Arty

Ser.	PA No.	Rank	Name	Arm.
314.	PA-51477	Capt. Now Maj.	Arif Hussain	FF
315.	PA-51478	Capt. Now Maj.	Muhammad Asif Sadiq	Engrs.
316.	PA-51479	Capt. Now Maj.	Muhammad Zeeshan	Arty
317.	PA-51480	Capt. Now Maj.	Talha Ahmed Khan	Engrs.
318.	PA-51481	Capt. Now Maj.	Furqan Haider	AK
319.	PA-51482	Capt.	Ahmad Umair Ashraf	Engrs.
320.	PA-51483	Capt. Now Maj.	Muhammad Kamran Ashraf	Engrs.
321.	PA-51484	Capt. Now Maj.	Usman Zafar	Engrs.
322.	PA-51485	Capt.	Ijlal Ahmed	Punjab
323.	PA-51486	Capt. Now Maj.	Rao Umair Feroze	Arty
324.	PA-51487	Capt. Now Maj.	Muhammad Tahir	AD
325.	PA-51488	Capt. Now Maj.	Bilal Muhammad	FF
326.	PA-51489	Capt. Now Maj.	Tariq Javed	AK
327.	PA-51490	Capt. Now Maj.	Waqas Bahadur Bhatti	FF
328.	PA-51491	Capt. Now Maj.	Zulnorain Khalid	AC
329.	PA-51492	Capt. Now Maj.	Fahad Mukhtar	Avn.
330.	PA-51493	Capt. Now Maj.	Syed Abdul Haseeb Shah	CMI
331.	PA-51494	Capt. Now Maj.	Muhammad Talha Manan	Avn.
332.	PA-51495	Capt. Now Maj.	Muhammad Shahzad Kareem Khan	AK

Ser.	PA No.	Rank	Name	Arm.
333.	PA-51497	Capt. Now Maj.	Talat Mehmood	AK
334.	PA-51498	Capt. Now Maj.	Hamza Iqbal Khan	Engrs.
335.	PA-51499	Capt. Now Maj.	Amad-ur-Rehman	FF
336.	PA-51501	Capt. Now Maj.	Rohail Mahmood	AD
337.	PA-51502	Capt. Now Maj.	Shakaib Shahid	AD
338.	PA-51503	Capt. Now Maj.	Shahroz Khan	Arty
339.	PA-51504	Capt. Now Maj.	Muhammad Inaam Ur Rehman	Punjab
340.	PA-51505	Capt. Now Maj.	Javed Ihsan	Arty
341.	PA-51506	Capt.	Fazal Muneeb	Sigs.
342.	PA-51507	Capt. Now Maj.	Muhammad Usman Khalid	Arty
343.	PA-51508	Capt.	Imran Ejaz	FF
344.	PA-51509	Capt. Now Maj.	Muhammad Mohsin Jehangir	Ord.
345.	PA-51510	Capt. Now Maj.	Moazam Ali	Baloch
346.	PA-51511	Capt. Now Maj.	Ateeq-ur-Rehman	AK
347.	PA-51512	Capt. Now Maj.	Muhammad Nouman Dawood	FF
348.	PA-51513	Capt. Now Maj.	Ejaz Ahmed Jamali	Arty
349.	PA-51514	Capt. Now Maj.	Qurrat-ul-Qalb	AC
350.	PA-51515	Capt. Now Maj.	Nadir Ali	Arty
351.	PA-51516	Capt. Now Maj.	Sayed Anwar Ali Shah	Punjab

Ser.	PA No.	Rank	Name	Arm.
352.	PA-51517	Capt. Now Maj.	Aamir Abbas Shah	Punjab
353.	PA-51518	Capt. Now Maj.	Waseem Zafar	AD
354.	PA-51519	Capt. Now Maj.	Raja Bilal Azhar	ASC
355.	PA-51520	Capt. Now Maj.	Zeshan Wahid	Arty
356.	PA-51521	Capt. Now Maj.	Izzen Wasim	Engrs.
357.	PA-51522	Capt. Now Maj.	Waqas Ali	NLI
358.	PA-51523	Capt. Now Maj.	Usman Farooq	FF
359.	PA-51524	Capt. Now Maj.	Atiq-ur-Rahman	NLI
360.	PA-51525	Capt. Now Maj.	Ghulam Hamad ud Din	Baloch
361.	PA-51526	Capt. Now Maj.	Muhammad Shoaib Zafar	AK
362.	PA-51527	Capt. Now Maj.	Adeel Asif	Arty
363.	PA-51528	Capt. Now Maj.	Muhammad Khurram Nawaz	Sindh
364.	PA-51529	Capt. Now Maj.	Ali Amjad Butt	AC
365.	PA-51530	Capt. Now Maj.	Hafiz Arsalan Hassan	Arty
366.	PA-51531	Capt. Now Maj.	Yadgar Hussain	Baloch
367.	PA-51532	Capt. Now Maj.	Muhammad Faisal	AD
368.	PA-51533	Capt. Now Maj.	Junaid Jawaid	FF
369.	PA-51534	Capt. Now Maj.	Muhammad Zeeshan Asif	Punjab
370.	PA-51535	Capt. Now Maj.	Muhammad Aqib	ASC

Ser.	PA No.	Rank	Name	Arm.
371.	PA-51536	Capt. Now Maj.	Muhammad Arsalan	Arty
372.	PA-51537	Capt. Now Maj.	Rizwan Ullah	Punjab
373.	PA-51538	Capt. Now Maj.	Muhammad Hammad Khalid	Arty
374.	PA-51539	Capt. Now Maj.	Wajahat Mahmood	AD
375.	PA-51540	Capt. Now Maj.	Mohsin Nisar	AC
376.	PA-51541	Capt. Now Maj.	Waqar Ahmed	Punjab
377.	PA-51542	Capt. Now Maj.	Afsareen	FF
378.	PA-51543	Capt. Now Maj.	Muhammad Obaid Khan	Arty
379.	PA-51544	Capt. Now Maj.	Faheem Iqbal	AK
380.	PA-51545	Capt. Now Maj.	Awais Murad	Arty
381.	PA-51546	Capt. Now Maj.	Harib Bin Yousaf	Sindh
382.	PA-51547	Capt. Now Maj.	Syed Ali Raza Shah	Baloch
383.	PA-51548	Capt. Now Maj.	Arslan Mirza	AK
384.	PA-51549	Capt. Now Maj.	Muhammad Umair Rauf	Punjab
385.	PA-51550	Capt. Now Maj.	Ghulam Moin-ul-Islam	Sigs.
386.	PA-51551	Capt. Now Maj.	Malik Haris Junaid	FF
387.	PA-51552	Capt. Now Maj.	Adnan Ahmed	Arty
388.	PA-51553	Capt. Now Maj.	Nouman Riaz	Arty
389.	PA-51556	Capt. Now Maj.	Tariq Aziz	AC

Ser.	PA No.	Rank	Name	Arm.
390.	PA-51557	Capt. Now Maj.	Perwaiz Ali	Arty
391.	PA-51558	Capt. Now Maj.	Junaid Ahmad	CMI
392.	PA-51559	Capt. Now Maj.	Saad Kabeer	AC
393.	PA-51560	Capt. Now Maj.	Taimoor Zaman Khan	AK
394.	PA-51561	Capt. Now Maj.	Zeeshan Anwar	Avn.
395.	PA-51562	Capt. Now Maj.	Muhammad Saleem	Arty
396.	PA-51563	Capt. Now Maj.	Obaid Malik	Engrs.
397.	PA-51564	Capt. Now Maj.	Waseem Ali Khan	AK
398.	PA-51565	Capt. Now Maj.	Fayaz Ahmad	Ord.
399.	PA-51567	Capt. Now Maj.	Zahid Ibrar	Baloch
400.	PA-51568	Capt. Now Maj.	Iftikhar Ali	ASC
401.	PA-51569	Capt. Now Maj.	Syed Ibtisam Ali Shah	AK
402.	PA-51570	Capt. Now Maj.	Arslan Shehzad Rana	FF
403.	PA-51571	Capt. Now Maj.	Yasir Iqbal Khan	Baloch
404.	PA-51572	Capt. Now Maj.	Syed Saad Khalid	Arty
405.	PA-51573	Capt. Now Maj.	Basharat Tanveer	Sigs.
406.	PA-51574	Capt. Now Maj.	Arslan Khan Dar	Sigs.
407.	PA-51575	Capt. Now Maj.	Muhammad Saad Butt	Arty
408.	PA-51576	Capt. Now Maj.	Wajahat Ali Khan	Sindh
409.	PA-51578	Capt. Now Maj.	Umair Hassaan	Sindh

Ser.	PA No.	Rank	Name	Arm.
410.	PA-51579	Capt. Now Maj.	Muhammad Zohair	Ord.
411.	PA-51580	Capt. Now Maj.	Farman Ullah	Sigs.
412.	PA-51581	Capt. Now Maj.	Muhammad Farrukh Bilal	Sigs.
413.	PA-51582	Capt. Now Maj.	Umar Farooq Yousafzai	Ord.
414.	PA-51583	Capt. Now Maj.	Muhammad Bilal Saleem	Arty
415.	PA-51584	Capt. Now Maj.	Arslan Riaz	Arty
416.	PA-51585	Capt. Now Maj.	Zain ul Abidin	Arty
417.	PA-51586	Capt. Now Maj.	Ahsan Tufail	AC
418.	PA-51587	Capt. Now Maj.	M. Adeel Anjum	AC
419.	PA-51588	Capt. Now Maj.	Muhammad Zaman Ullah Khan	AD
420.	PA-51589	Capt. Now Maj.	Zeeshan Ali Tahir	Ord.
421.	PA-51590	Capt. Now Maj.	Moeen Zafar	Arty
422.	PA-51591	Capt. Now Maj.	Zain ul Abedin	AC
423.	PA-51592	Capt. Now Maj.	Azhar Abbas	AK
424.	PA-51593	Capt. Now Maj.	Wajid Gul	Arty
425.	PA-51594	Capt. Now Maj.	Muhammad Arsalan Chaudhary	Sigs.
426.	PA-51595	Capt. Now Maj.	Muhammad Haad	Sindh
427.	PA-51596	Capt. Now Maj.	Muhammad Haroon Khan	AD
428.	PA-51597	Capt. Now Maj.	Bilal Ahmad	Arty
429.	PA-51598	Capt. Now Maj.	Shayan Wahid	Ord.

Ser.	PA No.	Rank	Name	Arm.
430.	PA-51599	Capt. Now Maj.	Muhammad Shahab	Ord.
431.	PA-51600	Capt. Now Maj.	Amdad Hussain	Baloch
432.	PA-51601	Capt. Now Maj.	Muhammad Umar	Punjab
433.	PA-51602	Capt. Now Maj.	Muhammad Ali Kiyani	ASC
434.	PA-51603	Capt. Now Maj.	Muhammad Irfan	Arty
435.	PA-51604	Capt. Now Maj.	Naveed Ahmad	Engrs.
436.	PA-51605	Capt. Now Maj.	Mehran Mumtaz	Arty
437.	PA-51606	Capt. Now Maj.	Jansher Ali	Ord.
438.	PA-51607	Capt. Now Maj.	Muhammad Faizan Anjum	Arty
439.	PA-51608	Capt. Now Maj.	Hammad Ali Khan	Avn.
440.	PA-51609	Capt. Now Maj.	Muhammad Waqas Khan	Punjab
441.	PA-51610	Capt.	Hannan Iqbal	Engrs.
442.	PA-51611	Capt.	Syed Sakhawat Abbas	AD
443.	PA-51612	Capt. Now Maj.	Muhammad Fizan Sami	Arty
444.	PA-51613	Capt. Now Maj.	Syed Nawazish Ali Sherazi	FF
445.	PA-51614	Capt. Now Maj.	Muhammad Abbas Amjad	ASC
446.	PA-51615	Capt. Now Maj.	Adil Fareed	Sigs.
447.	PA-51616	Capt. Now Maj.	Sohail Khan	Engrs.
448.	PA-51617	Capt. Now Maj.	Bilal Ahmed Shaikh	ASC
449.	PA-51618	Capt. Now Maj.	Fahad Ali	FF

Ser.	PA No.	Rank	Name	Arm.
450.	PA-51619	Capt. Now Maj.	Muhammad Muzaffar Mehdi	ASC
451.	PA-51620	Capt. Now Maj.	Syed Affan Tahir	Avn.
452.	PA-51621	Capt. Now Maj.	Anees Ahmed Shah	NLI
453.	PA-51622	Capt. Now Maj.	Irtiqas Manzoor	Baloch
454.	PA-51623	Capt. Now Maj.	Bilal Mustafa Minhhas	ASC
455.	PA-51624	Capt. Now Maj.	Mansoor Ahmed	Punjab
456.	PA-51625	Capt. Now Maj.	Aitezaz-ul-Islam	ASC
457.	PA-51626	Capt. Now Maj.	Muhammad Mustahsan Ali	Arty
458.	PA-51627	Capt. Now Maj.	Aman Ullah Khan	Avn.
459.	PA-51629	Capt. Now Maj.	Muhammad Adil Riaz	ASC
460.	PA-51630	Capt. Now Maj.	Muhammad Adeel Butt	Avn.
461.	PA-51631	Capt. Now Maj.	Moin Ahmed	Arty
462.	PA-51632	Capt. Now Maj.	Gul Zaman Khan	Arty
463.	PA-51633	Capt. Now Maj.	Hamza Rehman	Arty
464.	PA-51634	Capt. Now Maj.	Shahzad Ali Khan	Arty
465.	PA-51635	Capt. Now Maj.	Abbas Iqbal	Avn.
466.	PA-51636	Capt. Now Maj.	Adil Pervez Awan	Sigs.
467.	PA-52757	Capt. Now Maj.	Muhammad Arsalan Sohail	AC
468.	PA-52758	Capt. Now Maj.	Muhammad Qayyum Nasir	FF
469.	PA-52759	Capt. Now Maj.	Muhammad Aizaz Khan Khattak	FF

No. 428/2021:

The following 405 Officers have been granted substantive rank of Captain, with effect from 21st October, 2018 :-

Ser.	PA No.	Rank	Name	Arm.
1.	PA-51686	Capt. Now Maj.	Anees ur Rehman	Engrs.
2.	PA-51687	Capt. Now Maj.	Muhammad Jalal Naseer	Arty
3.	PA-51688	Capt. Now Maj.	Haider Klair	Arty
4.	PA-51689	Capt.	Muhammad Usman Zaid Khan	AC
5.	PA-51690	Capt.	Raja Faizan Ikram	AC
6.	PA-51691	Capt.	Kashif Mahmood	AC
7.	PA-51692	Capt. Now Maj.	Salman Afzal Khan	AC
8.	PA-51693	Capt. Now Maj.	Usama Bin Rahim	FF
9.	PA-51695	Capt. Now Maj.	Bilal Ahmed	AD
10.	PA-51696	Capt. Now Maj.	Muhammad Usman	Engrs.
11.	PA-51697	Capt.	Muhammad Hamza Naseer	Sigs.
12.	PA-51698	Capt. Now Maj.	Muhammad Kamran	Engrs.
13.	PA-51699	Capt.	Khalid Khan	FF
14.	PA-51700	Capt. Now Maj.	Hamid Nayyar Amir	AC
15.	PA-51701	Capt. Now Maj.	Syed Naseer ud Din	PB
16.	PA-51702	Capt. Now Maj.	Nauman Farooq	Bal.
17.	PA-51703	Capt. Now Maj.	Shahid Iqbal Tabasum	AD
18.	PA-51704	Capt.	Shayan Gulzar	AK

Ser.	PA No.	Rank	Name	Arm.
19.	PA-51705	Capt. Now Maj.	Malik Waleed Bin Waheed	Sigs.
20.	PA-51706	Capt. Now Maj.	Saad ur Rehman	Engrs.
21.	PA-51707	Capt. Now Maj.	Muhammad Jawad Zia	Sindh
22.	PA-51708	Capt. Now Maj.	Hassan Abrar	AD
23.	PA-51709	Capt. Now Maj.	Syed Haider Ali	FF
24.	PA-51710	Capt.	Musaddiq Hussain	Sigs.
25.	PA-51711	Capt.	Raja Sohail Ahmed	AK
26.	PA-51712	Capt. Now Maj.	Muhammad Umar Shafiq	Pb.
27.	PA-51713	Capt.	Abdul Hanan	CMI
28.	PA-51714	Capt. Now Maj.	Raja Muhammad Zahair Safdar	AD
29.	PA-51715	Capt. Now Maj.	Saad Nishat Satti	Arty
30.	PA-51716	Capt. Now Maj.	Muhammad Irfan Ghaffar	Arty
31.	PA-51717	Capt. Now Maj.	Altaf Hussain	NLI
32.	PA-51718	Capt. Now Maj.	Abdul Sattar	Sindh
33.	PA-51719	Capt. Now Maj.	Adnan Mustafa	NLI
34.	PA-51720	Capt. Now Maj.	Umer Rashid	Sindh
35.	PA-51721	Capt. Now Maj.	Rana Muhammad Adeel	Arty
36.	PA-51722	Capt. Now Maj.	Muhammad Abdullah Sajid Khan	Pb.
37.	PA-51723	Capt.	Dilawar Hussain	AK

Ser.	PA No.	Rank	Name	Arm.
38.	PA-51724	Capt. Now Maj.	Ali Athar Sultan	Engrs.
39.	PA-51725	Capt. Now Maj.	Hussain Ali Shah	AD
40.	PA-51726	Capt. Now Maj.	Muhammad Hamza Faiz Ullah	FF
41.	PA-51727	Capt. Now Maj.	Malik Jawad Saqib	ASC
42.	PA-51728	Capt. Now Maj.	Main Hassan Bashir	Arty
43.	PA-51729	Capt. Now Maj.	Mubeshar Nazir	Bal.
44.	PA-51730	Capt. Now Maj.	Shamaim Jamil	Bal.
45.	PA-51731	Capt.	Muhammad Waqas Zahoor	AK
46.	PA-51732	Capt. Now Maj.	Muhammad Uzair Jaffar	Bal.
47.	PA-51733	Capt. Now Maj.	Babar Raza Arif	CMI
48.	PA-51734	Capt..	Raja Shahrukh	Bal.
49.	PA-51735	Capt.	Waqas Muhammad Ehsan Ullah	FF
50.	PA-51736	Capt. Now Maj.	Muhammad Abdullah	Pb.
51.	PA-51737	Capt. Now Maj.	Habib ur Rehman	CMI
52.	PA-51738	Capt.	Muhammad Uzair	Engrs.
53.	PA-51739	Capt. Now Maj.	Shahid Shahzad	Arty
54.	PA-51740	Capt. Now Maj.	Ali Ahmed	Bal
55.	PA-51741	Capt. Now Maj.	Syed Mubarik Shah	ASC
56.	PA-51743	Capt. Now Maj.	Chaudhry Muhammad Naqqash	Arty

Ser.	PA No.	Rank	Name	Arm.
57.	PA-51744	Capt. Now Maj.	Syed Osman Bin Aamir Jafery	Arty
58.	PA-51745	Capt. Now Maj.	Muhammad Haris	Pb.
59.	PA-51746	Capt.	Farooq Ahmed Butt	FF
60.	PA-51747	Capt.	Ahmad Ali	Sigs.
61.	PA-51748	Capt.	Rizwan Pervaiz	Arty
62.	PA-51749	Capt. Now Maj.	Agha Abid Ali	Ord.
63.	PA-51750	Capt. Now Maj.	Sajid ur Rehman	AK
64.	PA-51751	Capt.	Zain ul Abideen	Sindh
65.	PA-51752	Capt. Now Maj.	Touqeer Altaf Abbasi	FF
66.	PA-51753	Capt. Now Maj.	Khurram Shahzad	Arty
67.	PA-51754	Capt..	Ali Asad Ullah Ramay	AC
68.	PA-51755	Capt.	Waqas Malik	FF
69.	PA-51756	Capt.	Fazal Maboob	Arty
70.	PA-51757	Capt. Now Maj.	Usman Aftab Abbasi	Arty
71.	PA-51758	Capt.	Muhammad Hannan Arshad	Arty
72.	PA-51759	Capt. Now Maj.	Abdur Rehman	AC
73.	PA-51760	Capt. Now Maj.	Syed Arslaan Farooq	Arty
74.	PA-51761	Capt. Now Maj.	Yasir Iqbal	Engrs.
75.	PA-51762	Capt. Now Maj.	Saeed Ahmed	Bal.

Ser.	PA No.	Rank	Name	Arm.
76.	PA-51763	Capt. Now Maj.	Aamir Anwar Abbasi	NLI
77.	PA-51764	Capt. Now Maj.	Ajab Khan	Engrs.
78.	PA-51765	Capt. Now Maj.	Muhammad Mufasser Ashraf	Sindh
79.	PA-51766	Capt. Now Maj.	Muhammad Tafseer Safdar	Sigs.
80.	PA-51767	Capt. Now Maj.	Danial Imtiaz	AD
81.	PA-51768	Capt. Now Maj.	Osama Rashid	Ord.
82.	PA-51770	Capt. Now Maj.	Syed Abbas Ali Shah	Bal.
83.	PA-51771	Capt. Now Maj.	Zahid Ali	ASC
84.	PA-51772	Capt. Now Maj.	Aamir Sohail	Arty
85.	PA-51773	Capt. Now Maj.	Asghar Ali	Arty
86.	PA-51774	Capt. Now Maj.	Syed Farrukh Gardazi	FF
87.	PA-51775	Capt. to Maj.	Dawood Nawaz Khan	AD
88.	PA-51776	Capt.	Adeel Altaf Unar	Pb.
89.	PA-51777	Capt. Now Maj.	Syed Saad Ahmed	AC
90.	PA-51778	Capt.	Jawad Ali Khan	Sigs.
91.	PA-51779	Capt. Now Maj.	Sajjad Ali	FF
92.	PA-51780	Capt. Now Maj.	Fahad Ismail Malik	Avn.
93.	PA-51781	Capt. Now Maj.	Haseeb Nawaz Kayani	Arty
94.	PA-51782	Capt. Now Maj.	Sumsaam Ahmed	Arty

Ser.	PA No.	Rank	Name	Arm.
95.	PA-51783	Capt. Now Maj.	Muhammad Umair Sarwar	Ord.
96.	PA-51784	Capt. Now Maj.	Mahmood Ali	FF
97.	PA-51785	Capt. Now Maj.	Shahab Ahmad	Arty
98.	PA-51786	Capt. Now Maj.	Wajahat Ahmad	Arty
99.	PA-51787	Capt. Now Maj.	Bilal Ahmed Sabir	ASC
100.	PA-51788	Capt. Now Maj.	Ibrahim Shah	Ord.
101.	PA-51789	Capt. Now Maj.	Noor Hassan	AC
102.	PA-51790	Capt. Now Maj.	Naveed Hussain	ASC
103.	PA-51791	Capt. Now Maj.	Syed Kashif Hussain Shah Kazmi	Engrs.
104.	PA-51792	Capt. Now Maj.	Sikandr Riaz	Bal.
105.	PA-51793	Capt. Now Maj.	Ali Haider Awan	FF.
106.	PA-51794	Capt. Now Maj.	Naveed Tahir	AK
107.	PA-51795	Capt. Now Maj.	Muhammad Imran Khan	Engrs.
108.	PA-51796	Capt. Now Maj.	Muhammad Aqib Saeed	ASC
109.	PA-51797	Capt.	Ali Hassan	Pb.
110.	PA-51798	Capt. Now Maj.	Muhammad Khan	Bal.
111.	PA-51800	Capt. Now Maj.	Jawwad Mehboob	Sigs.
112.	PA-51801	Capt. Now Maj.	Omer Jamil	AC
113.	PA-51802	Capt.	Joshua Arthur	AC

Ser.	PA No.	Rank	Name	Arm.
114.	PA-51803	Capt. Now Maj.	Jawad Zahoor Qadri	AC
115.	PA-51804	Capt. Now Maj.	Zohaib Akhtar	Ord.
116.	PA-51805	Capt. Now Maj.	Mustapha Muhammad Aslam	Bal.
117.	PA-51806	Capt. Now Maj.	Bahadur Shah	Arty
118.	PA-51807	Capt. Now Maj.	Muhammad Maaz Khan	AK
119.	PA-51808	Capt. Now Maj.	Muhammad Ayoob	FF
120.	PA-51809	Capt. Now Maj.	Habib Hussain	Sindh
121.	PA-51810	Capt. Now Maj.	Asad Nadeem	Arty
122.	PA-51811	Capt. Now Maj.	Muhammad Akmal Shakir	Pb.
123.	PA-51812	Capt. Now Maj.	Muhammad Kamran	Arty
124.	PA-51813	Capt. Now Maj.	Muhammad Umair	Arty
125.	PA-51814	Capt. Now Maj.	Mamoon ul Khaliq	Engrs.
126.	PA-51815	Capt. Now Maj.	Danial Malik	Engrs.
127.	PA-51816	Capt. Now Maj.	Shah Murad	Arty
128.	PA-51817	Capt. Now Maj.	Mumtaz Ahmed	Sigs.
129.	PA-51818	Capt. Now Maj.	Hasan Bashir Meo	AC
130.	PA-51819	Capt.	Muhammad Bilawal	AK
131.	PA-51820	Capt. Now Maj.	Hamayun Naseer	Ord.
132.	PA-51821	Capt. Now Maj.	Muhammad Anique Khan	AD

Ser.	PA No.	Rank	Name	Arm.
133.	PA-51822	Capt. Now Maj.	Riaz Ahmed	Arty
134.	PA-51823	Capt. Now Maj.	Naeem Raza Khan	Sigs.
135.	PA-51824	Capt. Now Maj.	Farzand Ali Shah	Pb.
136.	PA-51825	Capt. Now Maj.	Zahid Ilyas	Engrs.
137.	PA-51826	Capt.	Hashim Arshad Cheema	AC
138.	PA-51827	Capt. Now Maj.	Muhammad Abdullah	Arty
139.	PA-51828	Capt. Now Maj.	Muhammad Asif Khan Lodhi	FF
140.	PA-51829	Capt. Now Maj.	Muhammad Abrar	Avn.
141.	PA-51830	Capt.	Rana Bilal Ajmal	AD
142.	PA-51831	Capt. Now Maj.	Salman Riaz	ASC
143.	PA-51832	Capt.	Shahid Amin Khan	FF
144.	PA-51833	Capt. Now Maj.	Muhammad Umar Mukhtar	Pb.
145.	PA-51834	Capt. Now Maj.	Rizwan Ali	Arty
146.	PA-51835	Capt. Now Maj.	Musab Yar Muhammad	Ord.
147.	PA-51836	Capt. Now Maj.	Muhammad Hamza Saeed	Bal.
148.	PA-51837	Capt. Now Maj.	Ahsan Bilal Tariq	Sigs.
149.	PA-51838	Capt. Now Maj.	Muhammad Shabbir	Pb.
150.	PA-51839	Capt. Now Maj.	Usman Javed	Sigs.
151.	PA-51840	Capt. Now Maj.	Fayyaz Hussain	Arty

Ser.	PA No.	Rank	Name	Arm.
152.	PA-51841	Capt. Now Maj.	Adnan Khan	Arty
153.	PA-51842	Capt. Now Maj.	Hassam ud Deen	Sigs.
154.	PA-51843	Capt. Now Maj.	Khadim Ali	Arty
155.	PA-51844	Capt. Now Maj.	Abdul Muqtadir Khan	Sindh
156.	PA-51845	Capt. Now Maj.	Afnan Asif	ASC
157.	PA-51846	Capt. Now Maj.	Muhammad Usman	ASC
158.	PA-51847	Capt. Now Maj.	Mehran	Arty
159.	PA-51848	Capt. Now Maj.	Mamoon ur Rashid	Ord.
160.	PA-51849	Capt. Now Maj.	Barkat Ali	Engrs.
161.	PA-51850	Capt. Now Maj.	Ijaz Mahmood Khan	Pb.
162.	PA-51851	Capt. Now Maj.	Hassan Bin Sleem	Sigs.
163.	PA-51852	Capt. Now Maj.	Mehboob Khan	Pb.
164.	PA-51853	Capt. Now Maj.	Shahbaz Tariq	Engrs.
165.	PA-51854	Capt. Now Maj.	Waqas Qadir Niazi	Pb.
166.	PA-51855	Capt.	Arshad Haroon	Sigs.
167.	PA-51856	Capt. Now Maj.	Asad Ali	ASC
168.	PA-51857	Capt.	Zaid Ajab	Bal.
169.	PA-51858	Capt. Now Maj.	Muhammad Atif Javed	Sigs.
170.	PA-51859	Capt.	Abdul Wahab Khan	AC

Ser.	PA No.	Rank	Name	Arm.
171.	PA-51860	Capt. Now Maj.	Hassan Raza	Bal.
172.	PA-51861	Capt. Now Maj.	Iqbal Saleem	Pb.
173.	PA-51862	Capt. Now Maj.	Khawar Mehmood	Sigs.
174.	PA-51864	Capt.	Jawad Amjad Khan	CMI
175.	PA-51865	Capt.	Ali Arsalan Kayani	FF
176.	PA-51866	Capt.	Sarosh Khan Jadoon	AD
177.	PA-51867	Capt. Now Maj.	Syed Mehdi Raza Rizvi	Arty
178.	PA-51868	Capt.	Zain ul Abdin Malik	Pb.
179.	PA-51869	Capt. Now Maj.	Zahid Ahmed	NLI
180.	PA-51870	Capt. Now Maj.	Ejaz Karim Khan	AK
181.	PA-51871	Capt.	Adeel Zaman	Sindh
182.	PA-51872	Capt. Now Maj.	Raja Ali Iqbal	FF
183.	PA-51873	Capt. Now Maj.	Muhammad Haseeb	Sigs.
184.	PA-51874	Capt. Now Maj.	Muhammad Fahad	AC
185.	PA-51875	Capt. Now Maj.	Atta Hussain	Arty
186.	PA-51876	Capt. Now Maj.	Qaiser Abbas	Arty
187.	PA-51877	Capt. Now Maj.	Hafiz Kamran Taj	Sigs.
188.	PA-51878	Capt. Now Maj.	Muhammad Fahim	Avn.
189.	PA-51879	Capt. Now Maj.	Muhammad Tariq Shah	ASC

Ser.	PA No.	Rank	Name	Arm.
190.	PA-51880	Capt. Now Maj.	Taha Bin Furqan	Sindh
191.	PA-51882	Capt. Now Maj.	Raja Muhammad Danish Saleem	Sigs.
192.	PA-51883	Capt. Now Maj.	Saad Shahbaz Khan	Engrs.
193.	PA-51884	Capt.	Ahsan Khan	Arty
194.	PA-51885	Capt. Now Maj.	Rashid Mehmood	ASC
195.	PA-51886	Capt. Now Maj.	Waseem Ahmed Khan	ASC
196.	PA-51887	Capt.	Muhammad Qasim	FF
197.	PA-51888	Capt. Now Maj.	Waqas Ahmad Jalil	AK
198.	PA-51889	Capt. Now Maj.	Muhammad Burhan Wahid	Avn.
199.	PA-51890	Capt. Now Maj.	Muhammad Faiz Sajid	AD
200.	PA-51891	Capt. Now Maj.	Rhimmel Azeem	Pb.
201.	PA-51892	Capt. Now Maj.	Adnan Sajid	Arty
202.	PA-51893	Capt. Now Maj.	Abdul Qadir	ASC
203.	PA-51894	Capt. Now Maj.	Muhammad Nauman Tariq	Sindh
204.	PA-51895	Capt. Now Maj.	Awais Ahmed Jan	AC
205.	PA-51896	Capt.	Muhammad Owais Raza	Avn.
206.	PA-51897	Capt. Now Maj.	Muhammad Arslan Naseer	Avn.
207.	PA-51898	Capt.	Syed Muhammad Ahsan Abbas Shah	Arty
208.	PA-51899	Capt. Now Maj.	Sharjeel Khan	Sigs.

Ser.	PA No.	Rank	Name	Arm.
209.	PA-51900	Capt. Now Maj.	Ajmal Jamal	Arty
210.	PA-51901	Capt. Now Maj.	Afzal Ahmed	Sigs.
211.	PA-51902	Capt. Now Maj.	Hashim Zad Gul	AC
212.	PA-51903	Capt. Now Maj.	Daniyal Asif Khan	Sigs.
213.	PA-51904	Capt. Now Maj.	Syed Amanat Ali Shah	Arty
214.	PA-51905	Capt.	Muhammad Usman Afzal	Pb.
215.	PA-51906	Capt.	Wajdan Amin	Sindh
216.	PA-51907	Capt.	Minhaj Masood	Arty
217.	PA-51908	Capt. Now Maj.	Muhammad Asad	Arty
218.	PA-51909	Capt. Now Maj.	Saqib Bilal	AK
219.	PA-51910	Capt. Now Maj.	Basir Quraish	Arty
220.	PA-51911	Capt.	Farhan Mustafa	AC
221.	PA-51912	Capt.	Muhammad Safi Janjua	Ord.
222.	PA-51913	Capt. Now Maj.	Sikandar Nazir	AC
223.	PA-51914	Capt.	Irfan Haydr	NLI
224.	PA-51915	Capt. Now Maj.	Azim Ahmed Tariq	Pb.
225.	PA-51917	Capt. Now Maj.	Sheraz Wazir	Engrs.
226.	PA-51918	Capt. Now Maj.	Muhammad Salman	Engrs.
227.	PA-51919	Capt.	Muhammad Zulqurnain Qazzafi	ASC

Ser.	PA No.	Rank	Name	Arm.
228.	PA-51920	Capt. Now Maj.	Arslan Javed	Avn.
229.	PA-51921	Capt.	Muhammad Qamar	Arty
230.	PA-51922	Capt.	Muhammad Tayyab Jarral	Engrs.
231.	PA-51923	Capt. Now Maj.	Owais Javed Awan	Arty
232.	PA-51924	Capt. Now Maj.	Asad Khan	Avn.
233.	PA-51925	Capt. Now Maj.	Faizan ul Hassan Mushtaq	AK
234.	PA-51926	Capt.	Ahsan Nadeem Asif	Sigs.
235.	PA-51927	Capt. Now Maj.	Hammad Kamran	Arty
236.	PA-51928	Capt. Now Maj.	Rana Muhammad Sharjeel	Arty
237.	PA-51929	Capt. Now Maj.	Sikandar Mehmood Abbasi	Sigs.
238.	PA-51930	Capt. Now Maj.	Daniyal Ahmad Ali	Engrs.
239.	PA-51931	Capt.	Asim Shahzad	Avn.
240.	PA-51932	Capt. Now Maj.	Khawaja Muhammad Umar	Arty
241.	PA-51933	Capt. Now Maj.	Samir Ahmad	Arty
242.	PA-51934	Capt. Now Maj.	Habib ur Rehman Yazdani	ASC
243.	PA-51935	Capt.	Usman Zahid	Sindh
244.	PA-51936	Capt. Now Maj.	Haseeb Iqbal	AD
245.	PA-51937	Capt. Now Maj.	Zafar Iqbal	FF
246.	PA-51938	Capt. Now Maj.	Muhammad Zubair Khokhar	Arty

Ser.	PA No.	Rank	Name	Arm.
247.	PA-51939	Capt. Now Maj.	Salim Ullah Khan Wazir	Sigs.
248.	PA-51940	Capt. Now Maj.	Mehtab Malik	Avn.
249.	PA-51941	Capt. Now Maj.	Adnan Aish	Arty
250.	PA-51942	Capt. .	Hassan Ali	Bal.
251.	PA-51943	Capt.	Muhammad Ali	Bal.
252.	PA-51944	Capt. Now Maj.	Daniyal Javed	AD
253.	PA-51945	Capt. Now Maj.	Ali Haider	Arty
254.	PA-51946	Capt.	Shujaat Hussain	Bal.
255.	PA-51947	Capt. Now Maj.	Shahzaib Saeed	Ord.
256.	PA-51948	Capt.	Khalique Dino Danish	FF
257.	PA-51949	Capt.	Saleem Abbas Kulachi	Arty
258.	PA-51950	Capt. Now Maj.	Mohsin Chamkar	FF
259.	PA-51951	Capt. Now Maj.	Mehmood Anjum	Engrs.
260.	PA-51952	Capt.	Ammar Abid	FF
261.	PA-51953	Capt. Now Maj.	Muhammad Iftikhar	Sigs.
262.	PA-51954	Capt.	Muhammad Imran Khan Khattak	AC
263.	PA-51955	Capt. Now Maj.	Bilal Ahmad Ibrahim	ASC
264.	PA-51956	Capt. Now Maj.	Waheed Bin Abdul Ghaffar	Engrs.
265.	PA-51957	Capt. Now Maj.	Muhammad Asif	Sindh

Ser.	PA No.	Rank	Name	Arm.
266.	PA-51958	Capt.	Waleed Usman Dar	NLI
267.	PA-51959	Capt. Now Maj.	Muddassir Farooq Aslam	AC
268.	PA-51960	Capt. Now Maj.	Hamza Talal Butt	Ord.
269.	PA-51961	Capt. Now Maj.	Muhammad Usama Khan	Engrs.
270.	PA-51962	Capt. Now Maj.	Numan Ajmal	Avn.
271.	PA-51963	Capt. Now Maj.	Arshad Rauf Khan	ASC
272.	PA-51964	Capt. Now Maj.	Salman Ali Jamali	Pb.
273.	PA-51965	Capt. Now Maj.	Saad Burhan	Arty
274.	PA-51966	Capt. Now Maj.	Faisal Javed Iqbal	Bal.
275.	PA-51967	Capt.	Sajid Maqsood	NLI
276.	PA-51968	Capt. Now Maj.	Rashid Mehmood Arif	Arty
277.	PA-51970	Capt. Now Maj.	Muhammad Haroon Khan	Pb.
278.	PA-51971	Capt. Now Maj.	Rizwan Ullah	AD
279.	PA-51972	Capt. Now Maj.	Muhammad Abdul Mannan	Engrs.
280.	PA-51973	Capt. Now Maj.	Muhammad Hamza Nawaz	Engrs.
281.	PA-51974	Capt. Now Maj.	Muhammad Qasim Azam	Ord.
282.	PA-51975	Capt. Now Maj.	Arsalan Sharafat	Arty
283.	PA-51976	Capt.	Manzoor Elahi	AK
284.	PA-51977	Capt. Now Maj.	Nauman Khan	Sigs.

Ser.	PA No.	Rank	Name	Arm.
285.	PA-51978	Capt. Now Maj.	Yasir Ali	AK
286.	PA-51979	Capt. Now Maj.	Zohaib Ali	AD
287.	PA-51980	Capt. Now Maj.	Munir Ahmed	Arty
288.	PA-51981	Capt. Now Maj.	Muhammad Wajahat Ayaz Walha	Avn.
289.	PA-51982	Capt. Now Maj.	Syed Fawad Ali Shah	Sigs.
290.	PA-51983	Capt. Now Maj.	Hassan Ali	Engrs.
291.	PA-51984	Capt.	Talal ur Rehman	AC
292.	PA-51985	Capt. Now Maj.	Muhammad Atif Akram	CMI
293.	PA-51986	Capt. Now Maj.	Adeel Asghar	Sigs.
294.	PA-51987	Capt. Now Maj.	Muhammad Bilal Niazi	AD
295.	PA-51988	Capt. Now Maj.	Junaid Yaqub Baig	Engrs.
296.	PA-51989	Capt. Now Maj.	Rizwan Ali	NLI
297.	PA-51990	Capt. Now Maj.	Zeeshan Ahmad Kakar	Avn.
298.	PA-51991	Capt. Now Maj.	Syed Ahsan Rizwan	Engrs.
299.	PA-51992	Capt. Now Maj.	Owais Zahid	Pb.
300.	PA-51993	Capt. Now Maj.	Saqib Bilal	Arty
301.	PA-51994	Capt. Now Maj.	Hussain Ahmad Kashif	Bal.
302.	PA-51995	Capt. Now Maj.	Saad Rasul	Arty
303.	PA-51997	Capt. Now Maj.	Ghulam Raza	Arty

Ser.	PA No.	Rank	Name	Arm.
304.	PA-51998	Capt. Now Maj.	Muhammad Azhar Naeem	Arty
305.	PA-51999	Capt.	Ghazanfar Ghafar	Sigs.
306.	PA-52000	Capt. Now Maj.	Ali Raza Khan	AC
307.	PA-52001	Capt. Now Maj.	Muhammad Usman	AD
308.	PA-52002	Capt.	Raheel Anjum	Pb.
309.	PA-52003	Capt. Now Maj.	Muhammad Uzair Ul Hassan	Engrs.
310.	PA-52004	Capt. Now Maj.	Muhammad Ahmed	Avn.
311.	PA-52005	Capt. Now Maj.	Muhammad Babar Zafar	Engrs.
312.	PA-52006	Capt. Now Maj.	Faisal Iqbal Malik	Sigs.
313.	PA-52007	Capt. Now Maj.	Saad Ali	FF
314.	PA-52008	Capt. Now Maj.	Yawar Hussain Shah	FF
315.	PA-52009	Capt. Now Maj.	Muhammad Arsalan ul Haq	Pb.
316.	PA-52010	Capt.	Ahsan Iqbal	Sigs.
317.	PA-52011	Capt. Now Maj.	Sulaman Javaid	Arty
318.	PA-52012	Capt. Now Maj.	Haroon Abdullah Khan	AC
319.	PA-52014	Capt. Now Maj.	Raza Ali	Bal.
320.	PA-52015	Capt. Now Maj.	Moiz Javaid Khan	Arty
321.	PA-52016	Capt.	Faisal Rahim Khan Qasuria	Sigs.

Ser.	PA No.	Rank	Name	Arm.
322.	PA-52017	Capt. Now Maj.	Faisal Ayoob	FF
323.	PA-52018	Capt. Now Maj.	Malik Asfand Ali	Arty
324.	PA-52019	Capt.	Yasir Sulman	Arty
325.	PA-52020	Capt. Now Maj.	Kamran Azam Khattak	AC
326.	PA-52021	Capt.	Ali Akbar	Arty
327.	PA-52022	Capt. Now Maj.	Usama Arshad	Engrs.
328.	PA-52023	Capt. Now Maj.	Waseem Abbas	FF
329.	PA-52024	Capt. Now Maj.	Sufyan Ali	AK
330.	PA-52025	Capt. Now Maj.	Muhammad Sikandar Bhatti	ASC
331.	PA-52026	Capt.	Sharjeel Haleem Hashmani	AD
332.	PA-52027	Capt. Now Maj.	Muhammad Umar Idrees	Bal.
333.	PA-52028	Capt. Now Maj.	Muhammad Qadeer Sulehri	ASC
334.	PA-52029	Capt. Now Maj.	Muhammad Ishfaq Qureshi	Arty
335.	PA-52030	Capt.	Syed Hayyat Shah	Avn.
336.	PA-52031	Capt. Now Maj.	Shahan Khalid	ASC
337.	PA-52032	Capt. Now Maj.	Waqar Ahmed	AK
338.	PA-52033	Capt. Now Maj.	Arshad Saeed	Arty
339.	PA-52034	Capt. Now Maj.	Muhammad Ali Shahid	Sigs.

Ser.	PA No.	Rank	Name	Arm.
340.	PA-52035	Capt. Now Maj.	Gul Sheraz	Bal.
341.	PA-52036	Capt. Now Maj.	Khalid Ayub	Avn.
342.	PA-52037	Capt. Now Maj.	Ghulam Mustafa	Arty
343.	PA-52038	Capt. Now Maj.	Muhammad Abdullah Siddiqui	Bal.
344.	PA-52039	Capt. Now Maj.	Khizar Hayat	Arty
345.	PA-52040	Capt. Now Maj.	Ali Jahanzeb	AD
346.	PA-52041	Capt. Now Maj.	Muhammad Haris Chaudhry	Arty
347.	PA-52042	Capt. Now Maj.	Shameer Raza	Arty
348.	PA-52043	Capt.	Nasir Aziz	Sigs.
349.	PA-52044	Capt. Now Maj.	Aamir Khan	Bal.
350.	PA-52045	Capt. Now Maj.	Mir Umer Bin Altaf	Sindh
351.	PA-52046	Capt.	Taimur Raza	AD
352.	PA-52047	Capt.	Muhammad Jawad	Sigs.
353.	PA-52048	Capt. Now Maj.	Najam ul Saqib	AC
354.	PA-52049	Capt. Now Maj.	Izhar Ul Haq	Bal.
355.	PA-52050	Capt. Now Maj.	Muhammad Fawad Ashraf	ASC
356.	PA-52051	Capt.	Fahim Javed Sahmal	Pb.
357.	PA-52052	Capt. Now Maj.	Qaisar Nisar	AK

Ser.	PA No.	Rank	Name	Arm.
358.	PA-52053	Capt. Now Maj.	Syed Adnan Qasim	Avn.
359.	PA-52054	Capt. Now Maj.	Muhammad Taimoor Hassan	AC
360.	PA-52055	Capt.	Muhammad Ariz Sahi	AD
361.	PA-52056	Capt. Now Maj.	Ehsan Ullah Khan	FF
362.	PA-52057	Capt. Now Maj.	Ghulam Mustafa Shah	Arty
363.	PA-52058	Capt. Now Maj.	Haroon ur Rashid	ASC
364.	PA-52059	Capt. Now Maj.	Wasim Sabir	Arty
365.	PA-52060	Capt.	Muhammad Zubair Bin Akbar	AC
366.	PA-52061	Capt. Now Maj.	Muhammad Waiz ul Haque	Sindh
367.	PA-52062	Capt. Now Maj.	Muhammad Waqas	Arty
368.	PA-52063	Capt.	Hassan Abbas	Arty
369.	PA-52064	Capt.	Muhammad Naveed Ashraf	Sigs.
370.	PA-52065	Capt. Now Maj.	Zeeshan Alam	Pb.
371.	PA-52066	Capt.	Belawal Abbas	ASC
372.	PA-52067	Capt.	Adnan Sikandar Khan	Sigs.
373.	PA-52068	Capt. Now Maj.	Muhammad Waleed	Avn.
374.	PA-52070	Capt.	Waleed Shah	Sindh
375.	PA-52071	Capt. Now Maj.	Hasnain Maqbool	Ord.

Ser.	PA No.	Rank	Name	Arm.
376.	PA-52072	Capt. Now Maj.	Muhammad Alam Zab	Engrs.
377.	PA-52073	Capt. Now Maj.	Umair Fayyaz	AC
378.	PA-52074	Capt. Now Maj.	Hamza Zahid	Pb.
379.	PA-52075	Capt. Now Maj.	Maqsood Ali	Bal.
380.	PA-52076	Capt.	Zia ur Rehman	Arty
381.	PA-52077	Capt. Now Maj.	Aamir Inam	FF
382.	PA-52079	Capt.	Ahmed Raza	Arty
383.	PA-52080	Capt. Now Maj.	Taimoor Nasir	Ord.
384.	PA-52081	Capt. Now Maj.	Awais Zafar	ASC
385.	PA-52082	Capt. Now Maj.	Monir Ahmed Khan	CMI
386.	PA-52083	Capt.	Yasir Sabir	Arty
387.	PA-52084	Capt. Now Maj.	Muhammad Abdul Quadir	Engrs.
388.	PA-52085	Capt.	Inam ul Haq Khoso	AD
389.	PA-52086	Capt. Now Maj.	Taimoor ul Hasan	FF
390.	PA-52087	Capt. Now Maj.	Atif Sheikh	AD
391.	PA-52088	Capt. Now Maj.	Zain ul Abidin Khan	AK
392.	PA-52089	Capt.	Rohail Shabbir	Arty
393.	PA-52090	Capt.	Waqas Farid	Sigs.

Ser.	PA No.	Rank	Name	Arm.
394.	PA-52091	Capt. Now Maj.	Talal Ahmed	Arty
395.	PA-52092	Capt.	Muhammad Hasnain Farooq	Engrs.
396.	PA-52093	Capt. Now Maj.	Sajid Ullah	Ord.
397.	PA-52094	Capt. Now Maj.	Jawad Khan	AD
398.	PA-52095	Capt.	Ahmad Ali	Bal.
399.	PA-52096	Capt. Now Maj.	Muhammad Hammad ur Rehman Khan	Arty
400.	PA-52097	Capt.	Usman Ali Khalid	AC
401.	PA-52098	Capt. Now Maj.	Muhammad Hamza Babar Akhunzada	Sigs.
402.	PA-52100	Capt. Now Maj.	Nasir Iqbal	AC
403.	PA-52232	Capt. Now Maj.	Muhammad Mohkum Bin Shabbir	AC
404.	PA-52233	Capt. Now Maj.	Muhammad Muddassir Aijaz Bari	AD
405.	PA-53360	Capt. Now Maj.	Osama Zafar	FF

[No. F.2/7/D-2(A-II)/2021].

MIAN MUHAMMAD HILAL HUSSAIN, *HI (M) Lt. Gen. (Retd.)*,
Secretary.

The Gazette of Pakistan

PUBLISHED BY AUTHORITY

KARACHI, WEDNESDAY, JULY 21, 2021

PART III

Notifications issued by the High Courts, the Federal Public Service Commission and by the Attached and Subordinate Offices of the Government of Pakistan

FEDERAL PUBLIC SERVICE COMMISSION

Islamabad, the 15th April, 2021

No. F.3-11/2016-HR-I.—Mr. Abdul Razzaq, Deputy Director (BS-18) of FPSC, presently posted as Deputy Director (RR), FPSC, HQs Islamabad is promoted as Director (BS-19), FPSC with immediate effect.

On promotion, Mr. Abdul Razzaq is posted as Director, FPSC, Regional Office, Gilgit, as personal to him, until further orders.

The officer is placed on probation as per rules.

No. F.3-11/2016-HR-I.—Mr. Muhammad Tahir Iqbal, Deputy Director (BS-18) of FPSC, presently posted as Deputy Director (T&S), FPSC, HQs Islamabad is promoted as Director (BS-19), FPSC with immediate effect.

On promotion, Mr. Muhammad Tahir Iqbal is posted as Director (RR), FPSC, HQs, Islamabad until further orders.

The officer is placed on probation as per rules.

No. F.3-11/2016-HR-I.—Mr. Sher Zaman, Deputy Director (BS-18) of FPSC, presently posted as Deputy Director (Secrecy), FPSC, HQs Islamabad is promoted as Director (BS-19), FPSC with immediate effect.

On promotion, Mr. Sher Zaman is posted as Director (Secrecy), FPSC, HQs, Islamabad until further orders.

The officer is placed on probation as per rules.

No. F.3-11/2016-HR-I.—Mr. Muhammad Iqbal Arain, Deputy Director (BS-18) of FPSC, presently posted as Deputy Director (T&S), FPSC, HQs Islamabad is promoted as Director (BS-19), FPSC with immediate effect.

On promotion, Mr. Muhammad Iqbal Arain is posted as Director (FS), FPSC, HQs, Islamabad until further orders.

The officer is placed on probation as per rules.

No. 23-1/2018-HR-II.—Consequent upon approval of the Chairman, FPSC, Syed Muhammad Ayub Shah, Director (BS-19), FPSC is appointed as Project Director "Computer Based Testing (CBT) Project, FPSC" with immediate effect.

MAHMOOD ANWAR,
Deputy Director (HR).

Islamabad, the 15th April, 2021

No. F.15-333/2019-HR-I.—With the approval of Competent Authority, Mr. Shoaib Mir, Member has been granted four (04) days ex-Pakistan leave from 17th April, 2021 to 20th April, 2021 subject to title.

On expiry of leave, Member is likely to join the same post at the same station.

FAIQ AHMAD KHAN,
Assistant Director (HR-I).

APPELLATE TRIBUNAL INLAND REVENUE

(Headquarters)

Islamabad, the 1st April, 2021

No.F.1-ATP/HQ/(Ad)/2021.—Consequent upon their request the transfers/postings of the following Private

Secretaries (BS-17) are hereby made, with immediate effect and until further orders:-

S. No.	Name of Private Secretaries	From	To
1.	Mrs. Ashfa Mushtaq	Appellate Tribunal Inland Revenue, Peshawar	Appellate Tribunal Inland Revenue, Bench-IV, Lahore
2.	Mr. Shehzada Gulfam	Appellate Tribunal Inland Revenue, Peshawar	Appellate Tribunal Inland Revenue, Bench-VIII, Lahore

2. This issues with the approval of the Hon^{ble} Chairman, ATIR.

ABDUL RASHEED UJJAN,
Assistant Registrar (Admn).

CENTRAL DIRECTORATE OF NATIONAL SAVINGS

Islamabad, the 6th April, 2021

No. F.2(34)Admn-I/90.—Mr. Abdul Shakoor, Assistant Private Secretary (BS-16), Regional Accounts Office, National Savings, Peshawar, shall stand retired from Government service on 14th May, 2021, on attaining the age of superannuation (being date of birth as 15th May, 1961).

In terms of Section 18 (A (I) of the Revised Leave Rules 1980, read with Finance Division's SRO No. 70 (KE)/2012 dated 29th August, 2012 and O.M. dated 28th January, 2013, the competent authority has also approved request for 365 days leave encashment in lieu of LPR in respect of above named officer. Leave pay for the purpose of encashment of LPR shall be computed on the basis of pay and allowances reckonable towards pension as shown in his last pay certificate.

ASIM MUSHTAQ,
Assistant Director (HR).

COUNCIL OF ISLAMIC IDEOLOGY

Islamabad, the 7th April, 2021

No. F.1(239)/99-Admn-C-II/932.—Mr. Zaheer-ud-Din Babar (BS-18) Council of Islamic Ideology is hereby granted 30 days leave on full pay from 5th April, 2021 to 4th May, 2021 under th Revised Leave Rules, 1980.

On expiry of above leave, the officer is likely to assume the charge of the same post at the same station.

This issues with the approval of Competent Authority *i.e.* Secretary, CII.

MUHAMMAD ATIQ-UR-RAHMAN,
Assistant Director (Admin-HR).

DEPARTMENT OF LIBRARIES

Islamabad, the 10th March, 2021

No. F.5-1/2000-Estt.—Mr. Ghulam Murtaza, Assistant Director (F&A) BPS-17 of this Department is hereby granted 15 days leave on full pay (LFP) from 26th November, 2020 to 10th December, 2020 After availing leave, he has assumed the charge of the office of Assistant Director (F&A) BPS-17, Department of Libraries, Islamabad on 11th December, 2020 (forenoon).

SHAGUFTA NAZ,
Superintendent.

DIRECTORATE GENERAL CIVIL DEFENCE

Islamabad, the 5th April, 2021

No. 1/15/2001-Admn.—Mr. Mahboob Ali Sheikh, Assistant Director (Trg) (BS-17) Directorate General Civil Defence, Islamabad has been transferred to Civil Defence Training School, Karachi as Commandant (BS-17) with effect from 20th April, 2021 against the existing vacancy.

This issues with the approval of Director General Civil Defence, Islamabad.

ANWAR ALI,
Administrative Officer (A&C).

DIRECTORATE GENERAL OF SPECIAL EDUCATION

Islamabad, the 17th February, 2021

No. PF. 1508(FH).A.II.—After availing 759 days ex-Pakistan study leave on half average pay with effect from 1st January, 2019 to 31st January, 2021. Mrs. Farah Hafeez, Speech Therapist (BPS-17), has assumed the charge of the same post in the National Special Education Centre for Hearing Impaired Children, Islamabad under Directorate General of Special Education, Islamabad on 1st February, 2021.

Islamabad, the 25th February, 2021

No. PF. 834(SMH).A.II (pt).—Syed Manzar Hassan Gerdezi, Deputy Director (Legal/A-IV), BPS-18, Directorate General of Special Education, is granted 19 days leave

with full pay with effect from 1st March, 2021 to 19th March, 2021.

On expiry of leave the officer is likely to assume the charge of the same post and at the same station.

Islamabad, the 26th February, 2021

No. F. 1306 (SAK)/A.II.—With immediate effect and until further orders, the following postings/transfers are made under the DGSE, Islamabad:-

S. No.	Name of Officers	From	To
1	Mr. Shoaib Ahmed Khan, Assistant Accounts Officer (BPS-17)	DGSE, Islamabad	NTCSP, Islamabad
2	Mr. Shams-ul-Islam, Assistant Accounts Officer (BPS-17)	NTCSP, Islamabad	DGSE, Islamabad

2. The above mentioned officers are directed to report for duty to their new place of posting immediately.

3. This issues with approval of the Director General (SE), Islamabad.

Islamabad, the 4th March, 2021

No. PF.1550(NS)/A.II.—Dr. Nadia Shafqat, Medical Officer (BPS-17), National Special Education Centre for Hearing Impaired Children, Islamabad under the Directorate General of Special Education, Islamabad is granted 13 days LFP with effect from 30th January, 2021 to 11th February, 2021 on medical grounds.

On expiry of above medical leave the officer has assumed the charge of the same post and at the same station on 12th February, 2021.

Islamabad, the 9th March, 2021

No. PF.75(AH)/A.II.—Mr. Abdul Hanan, Director (Works), Directorate General of Special Education, Islamabad is granted 15 days LFP with effect from 22nd February, 2021 to 8th March, 2021 on medical grounds subject to title.

On expiry of above leave the officer is likely to assume the charge, along with necessary medical fitness certificate of treating doctor of the same post and at the same station.

No. PF.1308(SI)/A.II.—In pursuance to DGSE's Notifications No. F. 1306 (SAK)-A-II, dated 26th February, 2021, Mr. Shams-ul-Islam has assumed the charge in

the Directorate General of Special Education, Islamabad against the post of Assistant Accounts Officer (BPS-17) on 2nd March, 2021.

The Officer also relinquished the charge of the post of Assistant Accounts Officer (BPS-17) from National Training Centre for Special Persons, Islamabad on 1st March, 2021.

Islamabad, the 12th March, 2021

No. PF.1303(AMB)/A.II.—Mr. Arif Mehmood Bhatti, Administrative Officer (BPS-16) Directorate General of Special Education, Islamabad is granted 33 days LFP with effect from 22nd February, 2021 to 26th March, 2021.

On expiry of leave the officer is likely to assume the charge of the same post and at the same station.

No. PF.1303(AMB)/A.II.—In continuation of this office's notification of even number dated 30th November, 2020, Mr. Arif Mehmood Bhatti, Administrative Officer (BPS-16) Directorate General of Special Education, Islamabad is granted 20 days LFP with effect from 30th January, 2021 to 18th February, 2021.

After availing 81 days LFP with effect from 30th November, 2020 to 18th February, 2021, Mr. Arif Mehmood Bhatti, has assumed the charge of the post of Admin Officer (BPS-16) in the Directorate General of Special Education, Islamabad on 19th February, 2021.

Islamabad, the 22nd March, 2021

No. PF.75(AH)/A.II.—Mr. Abdul Hanan, Director Works (BPS-19), Directorate General of Special Education, Islamabad is granted 15 days LFP with effect from 9th March, 2021 to 23rd March, 2021 with permission to leave the station to visit his village Naushehero Feroze, Sindh in connection with death of his Sister with the condition that no extension in leave will be allowed on any grounds.

On expiry of above leave the officer is likely to assume the charge along with necessary medical fitness certificate of treating doctor of the same post and at the same station.

Islamabad, the 26th March, 2021

No. PF.1306 (SAK)/A.II.—On transfer, Mr. Shoaib A. Khan has assumed the charge of the post of Assistant Accounts Officer (BS-17) in the National Training Centre for Special Persons (NTCSP), Islamabad on 3rd March, 2021.

The officer concerned has relinquished the charge of the post of Assistant Accounts Officer (BS-17) from Directorate General of Special Education, Islamabad on 3rd March, 2021.

Islamabad, the 29th March, 2021

No. PF.1112 (SS)/A.II.—Mrs. Saira Shaheen, Senior Teacher (BS-17), National Special Education Centre for Physically Handicapped Children, Islamabad under the Directorate General of Special Education, Islamabad is granted 12 days leave on full pay with effect from 8th February, 2021 to 19th February, 2021.

After expiry of 12 days leave on medical grounds with effect from 8th February, 2021 to 19th February, 2021, the officer has assumed the charge of the same post and at the same station on 22nd February, 2021 (20th and 21st February, 2021 being Saturday & Sunday).

DR. MUHAMMAD WASEEM AKHTAR,
Deputy Director (Admin).

DIRECTORATE GENERAL OF TRAINING & RESEARCH
(CUSTOMS)

Karachi, the 1st April, 2021

No. 08-DGTR/2021.—The following Assistant Collectors (Probationers) (BS-17) of Pakistan Customs Service (48th CTP), after completing their Common Training Program, have joined Directorate General of Training & Research (Customs), Karachi on the dates mentioned against their names in column No.3:-

S. No.	Name of Probationers	Date of Joining
1	Mr. Haseeb Hassan	29-03-2021
2	Ms. Sara Batool	29-03-2021
3	Mr. Muhammad Usman Ashraf	29-03-2021
4	Ms. Fareeha Abbas	29-03-2021
5	Ms. Aqsa Abbasi	29-03-2021
6	Mr. Shehryar Waseem	29-03-2021
7	Syed Imtiaz Hussain	29-03-2021

Karachi, the 5th April, 2021

No. 05 DGTR/2019.—The competent authority has been pleased to grant fifteen (15) days leave ex-Pakistan with effect from 6th April, 2021 to 20th April, 2021, to Mr. Mehdi Abbas, Office Superintendent (BS-16), Directorate General of Training & Research (Customs), Karachi to perform Ziyarat in Iraq.

This office has no objection to the proceeding abroad of the officer during his leave period (NOC).

SAMSAM QADIR SHAH,
Assistant Director.

FEDERAL DIRECTORATE OF EDUCATION

[MODEL COLLEGES WING]

Islamabad, the 5th April, 2021

No. F. 1-234/MC/FDE.—The Honourable Supreme Court of Pakistan's *vide* Constitution Petition No. 42 of 2007 titled Ghazala Naureen & Other versus FOP & Others, *vide* its judgment dated 19th January, 2011, held as under:-

“therefore, all the listed cases in which teachers are working in above or below Grade-16 on contract basis or daily wagers stand disposed off accordingly except those of *ad hoc* employees or teachers who fall within the definition of civil servant but failed to qualify the test, therefore, no relief this Court could possibly grant them”.

2. Mr. Muhammad Sohail Mughal, *ad hoc* Lecturer, IMCB, F-8/4, failed to qualify FPSC, therefore, his service could not be regularized. The competent authority *i.e.* Secretary, Ministry of Federal Education & Professional Training, Islamabad, has decided that the services of Mr. Muhammad Sohail Mughal are no more required as he was party in the above referred case, settled by the Hon. Supreme Court of Pakistan.

No. F. 1-234/MC/FDE.—The Honourable Supreme Court of Pakistan's *vide* Constitution Petition No. 42 of 2007 titled Ghazala Naureen & Other versus FOP & Others, *vide* its judgment dated 19th January, 2011, held as under:-

“therefore, all the listed cases in which teachers are working in above or below Grade-16 on contract basis or daily wagers stand disposed off accordingly except those of *ad hoc* employees or teachers who fall within the definition of civil servant but failed to qualify the test, therefore, no relief this Court could possibly grant them”.

2. Ms. Maimoona Asghar, *ad hoc* Lecturer, ICG, F-6/2, failed to qualify FPSC, therefore, her service could not be regularized. The competent authority *i.e.* Secretary, Ministry of Federal Education & Professional Training, Islamabad, has decided that the services of Ms. Maimoona Asghar are no more required as she was party in the above referred case, settled by the Hon. Supreme Court of Pakistan.

PROF. M. AFTAB TARIQ,
Director (Model Colleges).

FEDERAL GOVERNMENT POLYCLINIC

(Postgraduate Medical Institute)

Islamabad, the 5th March, 2021

No. PF.1/5384/18.—Dr. Muhammad Erfan, Medical Officer (BS-17) Federal Government Polyclinic, Islamabad was granted 06 days ex-Pakistan leave on full pay with effect from 22nd March, 2021 to 27th March, 2021.

After availing above leave, he has joined his duty in this hospital with effect from 29th March, 2021 instead of 28th March, 2021 being holiday (Sunday).

Islamabad, the 26th March, 2021

No. FGPC.1/4233/2005.—Mr. Kaleem Ullah, Charge Nurse (BS-16) of Federal Government Polyclinic, Islamabad was granted leave on full pay on medical grounds with effect from 26th February, 2021 to 7th March, 2021 (10 days). Now he has resumed duty on 8th March, 2021 after availing leave.

Islamabad, the 31st March, 2021

No. PF.1/5365/18.—Dr. Hira Iram, Medical Officer, Federal Government Polyclinic, Islamabad was granted 90 days maternity leave (1st) on full pay with effect from 1st December, 2020 to 28th February, 2021.

After availing above leave, she has joined her duty with effect from 1st March, 2021.

DR. FAROOQ AKHTAR,
Deputy Executive Director.

GENERAL HEADQUARTERS, FGEI (C/G) DIRECTORATE

(IGT & E's Branch)

Rawalpindi, the 16th March, 2021

No. 04/PF-49/77-FGEI (M).—Consequent upon his death occurred on 26th February, 2021 the name of Qari Muhammad Sajid, TGT (BPS-16), FG Public School No.1 (Boys) Hyderabad Cantt. is hereby struck off the strength of the said school with effect from the same date.

Rawalpindi, the 17th March, 2021

No. 04/PF-1383/77-FGEI (M).—On attaining the age of superannuation *i.e.* 60 years Ch. Iftikhar Ahmed, Principal FG PS No.1 (Boys) Lahore is hereby granted 365 days Encashment in lieu of LPR with effect from 13th November, 2020 to 12th November, 2021 in accordance with Finance Division O.M. No. F. 1 (7)R-4/ 2004 dated 29th August, 2012.

Certified that 852 days leave on full pay stands at his credit.

He will be retired from Govt. Service and his name will be struck off the strength of school with effect from 12th November, 2021 (AN).

No. 04/PF-01/77-FGEI (M).—On attaining the age of 60 years Mr. Izhar-ul-Haq, *Ex-SST* FG Public School Nowshera Cantt. is hereby retired from Government Service with effect from 24th February, 2021 in accordance with Finance Division O.M No. F. 1(7)R-4/2004 dated 29th August, 2012.

He will be retired from Govt. Service and his name will be struck off the strength of school with effect from 24th February, 2021 (AN).

No. 04/PF-03/77-FGEI(M).—On completion of 25 years service Mr. Tariq Mehmood, TGT, FG Ashiq Hussain Public School Bhimber (AJK), is hereby granted 115 days Encashment in lieu of LPR with effect from 8th April, 2021 to 31st July, 2021 in accordance with Finance Division OM No. F. 1(7)R-4/2004 dated 29th August, 2012.

Certified that 115 days leave on full pay stands at his credit.

He will be retired from Govt. Service and his name will be struck off the strength of school with effect from 31st July, 2021 (AN).

No. 04/PF-1829/77-FGEI (M).—On attaining the age of superannuation *i.e.* 60 years Shah Ali Azam Bokhari, Principal, FG Fazaia Public School (2nd Shift) Nur Khan is hereby granted 365 days Encashment in lieu of LPR with effect from 15th October, 2019 to 14th October, 2020 in accordance with Finance Division O.M. No.F.1(7)R-4/ 2004 dated 29th August, 2012.

Certified that 404 days leave on full pay stands at his credit.

He will be retired from Govt. Service and his name will be struck off the strength of school with effect from 14th October, 2020 (AN).

No. 04/PF-03/77-FGEI (M).—On attaining the age of superannuation *i.e.* 60 years Mr. Muhammad Farooq, SST, FG Public School Boys Marrir Hassan Rawalpindi is hereby granted 365 days Encashment in lieu of LPR with effect from 1st March, 2021 to 28th February, 2022 in accordance with Finance Division O.M. No.F.1(7)R-4/ 2004 dated 29th August, 2012.

Certified that 365 days leave on full pay stands at his credit.

He will be retired from Govt. Service and his name will be struck off the strength of school with effect from 28th February, 2022 (AN).

No. 04/PF-402/77-FGEI (SA).—Consequent upon her request for grant of premature retirement from Government Service on completion of 30 years qualifying service for

pension, Mrs. Khalida Bano, DM, FG Model Public School Wah Cantt is hereby granted 151 days Encashment in lieu of LPR 4th December, 2020 to 3rd May, 2021 in accordance with Finance Division's O. M. No.F.1(7)R-7/2004, dated 29th August, 2012.

Certified that 151 days leave on full pay is due at her credit verified by PAO.

She will stand retired from Government Service and her name will be struck off the strength of said school with effect from 3rd May, 2021 (AN).

This Dte Notification No. 04/PF-402/77-FGEI (SA) dated January, 2021 may be treated as cancelled.

No. 04/PF-1163/77-FGEI (SA).—Followig amendment in respect of Miss Zahida Jabeen, SST, FG, Sir Syed Public School (Boys) Rawalpindi is hereby made in Para-2, of the Dte letter of even number dated 27th August, 2020.

FOR

2. She will stand retired from Government Service and her name will be struck off the strength of said School with effect from 1st September, 2020 (AN).

READ

2. She will stand retired from Government Service and her name will be struck off the strength of said School with effect from 1st September, 2020.

Rawalpindi, the 18th March, 2021

No. 04/PF-15/77-FGEI (M).—Consequent upon his death occurred on 16th October, 2020, the family of Late Ghulam Murtaza, Ex-DM, FG Public School No. 1 Pano Aqil Cantt. is hereby granted lump sum payment equal to leave pay for 93 days.

Certified that 93 days leave on full pay is due at his credit.

WAQAR AHMAD, *Brig.*
Director General.

Rawalpindi, the 19th March, 2021

No. 04/PF-1842/77-FGEI (SA).—Having exercised the option not to avail LPR on attaining the age of superannuation *i.e.* 60 years on 17th December, 2021, Mrs. Rizwana Aftab, TGT, FG, PS, No. 2 (Boys) 2nd shift Wah Cantt. is hereby granted encashment in lieu of LPR for 114 days with effect from 26th August, 2021 to 17th December, 2021 in accordance with Finance Division's O. M. No.F.1(7) R-4/2004 dated 29th August, 2012.

Certified that 114 days leave on full pay is due at her credit as verified by PAO.

She will stand retired from Government Service and her name will be struck off the strength of said school with effect from 17th December, 2021 (AN).

No. 04/PF-920/77-FGEI (SA).—Mrs. Yasmin Asif, Principal, FG PS No. (Girls) Wah Cantt is hereby granted special/iddat leave on full pay for 130 days with effect from 8th February, 2021 to 17th June 2021.

No. 04/PF-646/77-FGEI (SA).—Mrs. Asima Noureen, TGT, FG Public School No. 2 (Girls) 2nd Shift Chaklala Cantt is hereby granted 44 days post-confinement maternity leave on full pay with effect from 4th February, 2021 to 19th March, 2021.

No. 04/PF-144/77-FGEI (SA).—Consequent upon her request for grant of premature retirement from Government Service on completion of 30 years qualifying service for pension, Mrs. Sadia Parveen, SST, FG PS No.1 Warsak Road Peshawar Cantt. is hereby 156 days Encashment in lieu of LPR 1st September, 2021 to 3rd February, 2022 in accordance with Finance Division's O. M. No.F.1(7)R-7/2004, dated 29th August, 2012.

Certified that 156 days leave on full pay is due at her credit verified by PAO.

She will stand retired from Government Service and her name will be struck off the strength of said school with effect from 3rd Febraury, 2022 (AN).

No. 04/PF-937/77-FGEI (SA).—Mst. Rizwana Riaz, TGT, FG PS No. 1 (Girls) Sialkot Cantt is hereby granted special/iddat leave on full pay for 130 days with effect from 25th January, 2021 to 4th June 2021.

No. 04/PF-778/77-FGEI (SA).—Followig amendment is hereby made in this Dte notification of even number dated 22nd January, 2020 in respect of Mrs. Sonia Sajid, SST, FG FPS (2nd shift) JC Kur Khan Rawalpindi regarding her leave on private affairs:-

FOR

124 days leave on half average pay with effect from 13th January, 2020 to 15th May, 2020.

READ

113 days leave on half average pay with effect from 24th January, 2020 to 15th May, 2020.

No. 04/PF-655/77-FGEI (M).—Mr. Naeem Khalid, TGT, FG Model Public School, Wah Cantt is hereby granted leave on full pay for 15 days from 13th February, 2021 to 27th February, 2021 on private affairs.

No. 04/PF-01/77-FGEI (M).—Mr. Tehseen Ullah Khan, DM, FG Public School (Boys) Bannu Cantt is hereby granted leave on full pay for 14 days from 6th February, 2021 to 19th February, 2021 on Medical Grounds.

No. 04/PF-941/77-FGEI(SA).—Mrs. Saadia Mumtaz, SST, FG, Public School Morgah Rawalpindi Cantt is hereby granted 45 days pre-confinement maternity leave on full pay with effect from 4th March, 2021 to 17th April, 2021.

On expiry of above leave, she will proceed on post-confinement maternity leave.

SUNDAS GUL, *Maj*,
For Director General.

ISLAMABAD HIGH COURT

Islamabad, the 2nd April, 2021

No. Admn/IHC/198.—The Competent Authority has been pleased to grant 11 days earned leave to Mr. Noor Muhammad Akhound, Assistant Accounts Officer (BPS-17) of this Court with effect from 24th March, 2021 to 3rd April, 2021, with full pay (with out Car/Conveyance Allowances).

MUHAMMAD SARFRAZ SHARIF,
Deputy Registrar (Admn).

MODEL CUSTOMS COLLECTORATE
APPRAISEMENT AND FACILITATION (EAST)

Karachi, the 5th April, 2021

No. P.F.2(351)/2009-MCC-A&E (East).—In pursuance of Office of the Chief Collector of Customs, Appraisalment and Facilitation (South)'s Office Order No. 05/2021-ESTT (CC-Appr) dated 29th March, 2021, following Appraising Officers (BS-16), have assumed the charge of the Appraising Officer (BS-16), at MCC Appraisalment and Facilitation (East), Custom House, Karachi.

S. No.	Name	Designation
1.	Mr. Bashir Ahmed Seehar	Appraising Officer
2.	Mr. Habib-ur-Rehman	Appraising Officer
3.	Mr. Asif Jamil	Appraising Officer

SHAHZAD ALI,
Assistant Collector HQs.

NATIONAL DATABASE & REGISTRATION AUTHORITY

[REGISTRATION DIRECTORATE]

Islamabad, the 2nd April, 2021

No. NADRA/Regn.2/57-Estt/1004.—On attaining the age of superannuation on 12th April 2021, ERP No. 1451 Mr. Atta Ullah, Deputy Director (BPS-18) RHO NADRA

Multan shall stand retired from the service of NADRA with effect from 13th April, 2021.

Consequent upon acceptance of his request to avail LPR, the Competent Authority is pleased to grant 365 days leave Preparatory to Retirement (LPR) with effect from 13th April, 2020 to 12th April 2021 in terms of Rule 16 of Revised Leave Rules, 1980.

This is issued with the approval of Chairman NADRA.

Islamabad, the 6th April, 2021

No. NADRA/Regn.4/408-Estt/1082.—On attaining the age of superannuation, ERP No.893 Mr. Jalal-ud-Din, Assistant Director (BPS-17) RHO NADRA Quetta shall stand retired from service with effect from 1st February, 2022.

On exercise of option for leave encashment in lieu of LPR, the Competent Authority is pleased to grant *lump-sum* leave salary equal to 365 days to the officer concerned in terms of Rule 18-A of Revised Leave Rules 1980, read in conjunction with Finance Division Notification No. SRO. 70 (KE)/2012 dated 29th August, 2012.

BILAL SAEED ULLAH KHAN, *Brigadier (Retd.)*
Director General.

NATIONAL INFORMATION TECHNOLOGY BOARD

Islamabad, the 3rd April, 2021

No. NITB-4(90)/2016/558.—Mr. Muhammad Rizwan, Network/System Administrator (BS-18) is allowed by the Executive Director, National Information Technology Board (Ministry of Information Technology & Telecom) to hold the additional charge of the post of "Deputy Director (Admn) (BS-18)" in addition to his own duties for a period of three months with effect from 30th March, 2021 or till the joining of the incumbent of the post whichever is earlier.

He will draw pay of his own post in term of F. R. 35 and proviso Section 17 of Civil Servant Act, 1973 plus special pay @ 20% of his pay subject to a maximum of Rs. 12,000/- per month.

MUHAMMAD ASLAM LASHARI,
Director.

NATIONAL INSTITUTE OF REHABILITATION MEDICINE

Islamabad, the 9th March, 2021

No. PF.43(VK)PC-NIRM.—Mr. Vinot Kumar, Physiotherapist (BS-17) of this Institute is hereby granted 19 days leave on full pay with effect from 12th April, 2021 to 30th April, 2021 and Mr. Muhammad Tapir Saeed,

Physiotherapist will look after his duties during his leave period.

After expiry of leave he is expected to join his duties on the same post and station.

DR. ADNAN RIAZ,
Deputy Director (A).

NATIONAL LIBRARY OF PAKISTAN

Islamabad, the 7th April, 2021

No. F.5-2/2001-Estt(Pt.II).—In pursuance of National Heritage & Culture Division's Obituary Notification No.F.1-23/2019-NLP dated 6th April, 2021, Syed Ghyour Hussain, Director (HRDC) (BS-19) holding current charge of the post of Director General (Chief Librarian) (BS-20), National Library of Pakistan, Islamabad has expired on 25th March, 2021, Other codal formalities regarding his family pension and other payment (if any) under the rules will be completed in due course of time.

WAQAR HUSSAIN,
Assistant Director (Admn).

NATIONAL TRANSPORT RESEARCH CENTRE

Islamabad, the 1st April, 2021

No. NTRC-5(16)/88.—Mr. Saifullah, Assistant Private Secretary, (BS-16) National Transport Research Centre (NTRC), Ministry of Communications, Islamabad has been allowed 4 days earned leave on full pay with effect from 1st March, 2021 to 4th March, 2021 with permission to prefix 27th, 28th February, 2021 (being closed holidays).

After the expiry of above leave, the individual has resumed his duty on same post/station on 5th March, 2021,

NAFAY IDREES,
Assistant Chief (Estab).

NATIONAL VOCATIONAL AND TECHNICAL TRAINING COMMISSION

Islamabad, the 1st April, 2021

No. F.1-402/2020-Admn-239.—In pursuance of Office of the Military Accountant General's Letter No. 691/AN/902-242 (35477) dated 29th March, 2021, Mr. Imran Feroze, AAO/35477 officer of Military Accountant General, Rawalpindi presently posted in NAVTTC, Islamabad on deputation basis, is hereby repatriated from NAVTTC with immediate effect to join his parent department.

This issues with the approval of Executive Director, NAVTTC.

Islamabad, the 2nd April, 2021

No. F.3-49/2008-Admn-244.—In pursuance of Office of the Auditor General of Pakistan Letter No. 188/Estt-C/12-2010 dated 12th March, 2021, Mr. Shahzad Ali, Assistant Private Secretary (BS-16), an employee of Auditor General of Pakistan, presently posted in NAVTTC, Regional Office, Islamabad on deputation basis, is hereby repatriated from NAVTTC with immediate effect to join his parent department.

This issues with the approval of Executive Director, NAVTTC.

RIZWANA MALIK,
Assistant Director (Admn-II).

OFFICE OF THE DIRECTOR GENERAL FEDERAL INVESTIGATION AGENCY

Islamabad, the 5th April, 2021

No. A/P-I/Admn(N)/2019.—Mr. Ifikhar Alam, Inspector, FIA / AHTC, Rawalpindi, Islamabad Zone, Islamabad is hereby transferred and posted to FIA KPK Zone, Peshawar, with immediate effect and until further orders.

This issues with the approval of Additional Director General (North).

TARIQ MAHMOOD,
Deputy Director North.

OFFICE OF THE INSPECTOR GENERAL FRONTIER CORPS BALOCHISTAN

Turbat, the 10th February, 2021

No. 132-37/Prom/60/E-2-PROMOTION.—Following promotions were ordered in Frontier Corps Balochistan (South), Turbat with effect from the dates noted against each:-

TO BE SUBEDAR ON PROBATION PERIOD FOR ONE YEAR

1. No.29737 Naib Subedar (General Duty) Haider Bakhsh, Punjabi of 133 Wing Dasht Scouts with effect from 8th September, 2020 (on passing of Advance Leadership Course) *vice* No. 28512 Subedar (General Duty) Ghulam Yasin proceeded on retiring pension with effect from 30th June 2020.

2. No.29718 Naib Subedar (General Duty) Muhammad Sadiq, Pathan of 133 Wing Dasht Scouts with effect from 5th July, 2020 *vice* No. 28876 Subedar (General Duty) Sial Bad Shah, Pathan proceeded on retiring pension with effect from 4th July 2020.
3. No.14591 Naib Subedar (General Duty) Payo Khan, Pathan of 133 Wing Dasht Scouts with effect from 7th July, 2020 *vice* No. 5141 Subedar (General Duty) Walayat Shah, Pathan proceeded on retiring pension with effect from 6th July 2020.
4. No.6358 Naib Subedar (General Duty) Bakhtiar Ali, Pathan of 88 Wing Dasht Scouts with effect from 4th June, 2020 *vice* No. 5180 Subedar (General Duty) Fazal Shah, Pathan proceeded on retiring pension with effect from 3rd June 2020.
5. No.29998 Naib Subedar (General Duty) Naqeeb Hussain, Pathan of 133 Wing Dasht Scouts with effect from 20th November, 2020 *vice* No. 5292 Subedar (General Duty) Karamat Ali, Pathan proceeded on retiring pension with effect from 19th November 2020.
- (Medical) Naimat Ullah of Headquater Wing Panjgur Rifles proceeded on retiring pension with effect from 2nd July, 2020.
12. No.8222 Havildar (General Duty) Jafar Ali, Punjabi of 58 Wing Dalbandin Rifles with effect from 3rd June 2020 *vice* No. 14228 Naib Subedar (General Duty) Ghulam Dastagir, Punjabi proceeded on retiring pension with effect from 2nd June, 2020 on existing vacancy.
13. No.44080 Havildar (General Duty) Ghulam Bari, Punjabi of 133 Wing Dasht Scouts with effect from 23rd June 2020 *vice* No. 29824 Naib Subedar (General Duty) Naimat Ulalh, Punjabi proceeded on retiring pension with effect from 22nd June, 2020.
14. No.37766 Havildar (General Duty) Zahoor Ahmed, Baloch of 88 Wing Dasht Scouts with effect from 1st July 2020 on an existing vacancy.

SYED HAMMAD RAZA, *Major,*
For Inspector General.

TO BE NAIB SUBEDAR ON PROBATION PERIOD FOR ONE YEAR

6. No.5792 Havildar (Medical) Gul Qadeem Khan, Pathan of 132 Wing Kalat Scouts with effect from 1st July 2020 on existing vacancy of newly raised Kyaran Rifles.
7. No.6064 Havildar (Medical) Muhammad Shoaib Ahmed, Punjabi of 113 Wing Dalbandin Rifles with effect from 1st July 2020 on existing vacancy of newly raised Dasht Scouts.
8. No.33389 Havildar (Mortar) Nasrullah, Baloch of 59 Wing Panjgur Rifles with effect from 30th November 2020 *vice* No. 12050 Subdar (Mortar) Mira Jan, Pathan proceeded on retiring pension with effect from 29th November, 2020.
9. No.34472 Havildar (General Duty) Khaleel-Ur-Rehman, Baloch of 68 Wing Panjgur Rifles with effect from 19th June 2020 (on passing of Map Reading-I Class) on existing vacancy.
10. No.35540 Havildar (Mortar) Muhammad Amin Shah, Pathan of 142 Special Operation Wing with effect 7th December 2020 (on passing of Basic Leadership Course) on existing vacancy.
11. No.14991 Havildar (Medical) Aziz Ullah, Pathan of 126 Wing Dalbanding Rifles with effect from 3rd July 2020 *vice* No. 25979 Naib Subedar

OFFICE OF THE INSPECTOR GENERAL OF POLICE

[NATIONAL HIGHWAYS AND MOTORWAY POLICE]

Islamabad, the 10th February, 2021

No. NHMP-47(5)/2021/HRM/IP/SPO/325.----In pursuance of Section Officer (E-IV), Establishment Department (Establishment Wing), Khyber Pakhtunkhwa office Notification No.SOE-V(E&AD)/4-3/ACE/Gen/2020 dated 19th January, 2021, IP/SPO Haroon Badshah, S-930 of National Highways & Motorway Police (NHMP), presently posted in Motorway Zone is hereby relieved from NHMP to join Anti-Corruption Establishment, Khyber Pakhtunkhwa on deputation basis for of one (01) year, on standard terms and conditions.

Upon completion of one (01) year deputation period, the said officer shall report back at his previous posting zone in NHMP, *i.e.* Motorway Zone.

The formal relieving order of the officer from Motorway Zone will be issued after observing all codal formalities as well as clearance from all Sections including R&W Fund.

This issues with the approval of Inspector General of Police, NHMP.

No. NHMP-6(2)/2012/transfer/posting/DSP/330.—DSP/CPO Sardar Qaisar Khan presently posted in Central Region is hereby transferred and posted to North Region with immediate effect and until further orders.

The above-named officer shall be relieved immediately with the direction to report at his new place of posting within actual permissible travelling time. Moreover, handing over/taking over may be exercised as already conveyed *vide* Letter No. NHMP-12/PTC/Trg/2020/226, dated 21st December, 2020.

This is issued with the approval of Inspector General, NHMP.

No. NHMP-3(15)/HRM/2021/Policy/West/EA/331.—The following uniformed Police officers are hereby transferred from the zones mentioned against their names and posted in West Zone, with immediate effect and until further orders:-

S. No.	Rank & Name of Officers	From
1.	DSP/CPO Aftab Aslam	N-5 North Zone
2.	DSP/CPO Zargham Atta Baloch	M-5 Zone
3.	DSP/CPO Tariq Ali Abbasi	M-5 Zone
4.	DSP/CPO Deedar Hussain Jakhriani	N-5 South Zone
5.	DSP/CPO Zubair Anwar Soomro	N-5 South Zone
6.	DSP/CPO Manzoor Ahmed	Motorway Zone
7.	DSP/CPO Asad Ullah Khan	Motorway Zone
8.	DSP/CPO Asad Ullah Abro	N-5 South Zone
9.	DSP/CPO Israr Ali Tunio	N-5 South Zone

2. The above mentioned officers are transferred to West Zone for cumulative period of 183 days (06 months) excluding training, leave, absence period. These officers upon displaying satisfactory performance will be eligible for posting to their previous posting Zones.

3. There officers shall be relieved within 48 hours with the direction to report at West Zone within actual permissible travelling time and handing over/taking over may be exercised as already conveyed *vide* Letter No. NHMP-12/PTC/Trg/2020/ 226, dated 21st December, 2020. In case of late reporting, the receiving DIG/Zonal Commander shall initiate strict disciplinary action against delinquent officers, under NHMP E&D Rules-2016.

4. Upon relieving of these officers from concerned zones, their duly completed and updated service record alongwith LPC be sent to West zone within 7 days.

5. This is issued with the approval of Inspector General of Police, NHMP.

No. NHMP-3(15)/HRM/2021/Policy/West/EA/332.—The following uniformed Police officers are hereby transferred and posted to the zones as mentioned against their names, with immediate effect and until further orders:-

S. No.	Rank & Name of Officers	From	To
1.	DSP/CPO Shoukat Ali Changazi	N-5 South Zone	N-5 Central Zone
2.	DSP/CPO Noor Min Allah	West Zone	N-5 North Zone
3.	DSP/CPO Ashfaq Ahmed Kalair	N-5 South Zone	M-4 Zone
4.	DSP/CPO Khalid Mehmood Nawaz	N-5 South Zone	N-5 South Zone
5.	DSP/CPO Zaheer-Ud-Din Babar	West Zone	Motorway Zone
6.	DSP/CPO Iftikhar Ali	N-5 South Zone	N-5 Central Zone
7.	DSP/CPO Khurram Shahzad Bajwa	West Zone	M-4 Zone

S. No.	Rank & Name of Officer	From	To
8.	DSP/CPO Asad Abbas	West Zone	M-4 Zone
9.	DSP/CPO Ijaz Haider	N-5 South Zone	Motorway Zon

2. The above mentioned officers shall be relieved upon completion of prescribed period of 183 days (06 monts) excluding training, leave absence period at N-5 South / West Zones, NHMP and handing over/taking over may be exercised as already conveyed *vide* Letter No. NHMP-12/ PTC/Trg/2020/ 226, dated 21st December, 2020. They shall report at respective places of posting within actual permissible travelling time. In case of late reporting, the receiving DIG/Zonal Commander shall initiate strict disciplinary action against delinquent officers, under NHMP E&D Rules-2016.

3. This is issued with the approval of Inspector General, NHMP.

No. NHMP-29(11)/2021/HRM/SPO/333.—IP/SPO Khadim Hussain, S-858 presently posted in Motorway Zone is hereby granted 120 days earned leave with effect from 15th February, 2021 to 14th June, 2021 (both days inclusive).

Moreover, no request for extension in said leave will be entertained and on expiry of said leave, the officer shall report at his present place of posting on 15th June, 2021, otherwise, strict disciplinary action under NHMP (E&D) Rules, 2016 will be taken by the concerned Supervisory Officer against him, under intimation to all concerned.

This is issued with the approval of Inspector General, of Police NHMP.

ARSLAN MUSHTAQ,
Deputy Director (HRM).

PAKISTAN BUREAU OF STATISTICS

Islamabad, the 10th March, 2021

No. PBS.IBD.P-12(58)/2020-535.—With the approval of Director (Admn), Mr. Umair Saeed, System Analyst (BS-17), (Personnel No. 50588576), PBS, Islamabad has been granted 8 days leave on full pay (LFP) with effect from 28th January, 2021 to 4th February, 2021. with permission

to suffix public/weekly holidays falling on 5th, 6th & 7th February, 2021, subject to leave admissibility certificate from AGPR, Islamabad.

He assumed charge on 8th February, 2021 at the same post and station on expiry of the leave.

Islamabad, the 30th March, 2021

No. PBS.IBD.P-4(231)/2010-489.—With the approval of Member (RM), Mrs. Hina Nousheen, Statistical Officer (BS-17), (Personnel No. 50141358), PBS, Islamabad is granted 89 days 3rd Maternity leave on full pay (as per Para 13 Revised Leave Rules-1980) with effect from 15th March, 2021 to 11th June, 2021. with permission to prefix and suffix weekly holidays falling on 13th, 14th March & 12th, 13th June 2021 respectively.

She is expected to return to the same post and station on expiry of the leave.

No. 5(90)/89-PCO(Admn)-492.—With the approval of Director General (Admn), Mr. Atif Naseem, Assistant Private Secretary (BS-16) (Personnel No. 50008572), PBS Islamabad is granted 60 days leave on full pay (LFP) with effect from 22nd March, 2021 to 20th May, 2021, with permission to prefix weekly holidays falling on 20th, 21st, March, 2021 respectively, subject to leave admissibility certificate from AGPR, Islamabad.

He is expected to return to the same post and station on expiry of the leave.

SADIA CHAUDHRY,
Assistant Director (Admn).

Islamabad, the 26th March, 2021

No. PBS.HQ.FA.P(544)/14-394.—Consequent upon his promotion from the post of Statistical Assistant (BPS-16) to the post of Statistical Officer (BPS-17) with effect from 8th December, 2020 *vide* this Bureau's Notification No. PBS.RS 4(14)/2018-P-50 dated 28th January, 2021, Mr. Muhammad Asif Hameed has assumed the charge of he post of Statistical Officer (BPS-17) on 8th December, 2020 at Pakistan Bureau of Statistics, Regional Office, Karachi.

No. FBS.FS.P.3(74)/06-394.—Consequent upon his promotion from the post of Statistical Assistant (BPS-16) to the post of Statistical Officer (BPS-17) with effect from 8th December, 2020 *vide* this Bureau's Notification No. PBS.RS 4(14)/2018-P-50 dated 28th January, 2021, Mr. Aurang Zaib has assumed the charge of he post of Statistical Officer (BPS-17) on 8th December, 2020 at Pakistan Bureau of Statistics, Regional Office, Karachi.

SAFIA BEGUM,
Statistical Officer (Admn-III).

Karachi, the 31st March, 2021

No. FBS.KRO.E(28)/2015-342.—With the approval of Competent Authority Mr. Zeeshan Ali, Statistical Officer, (BPS-17), PBS, Karachi is granted 60 days leave on full pay with effect from 12th April, 2021 to 10th June, 2021 with permission to prefix Saturday+Sunday failing on 10th April, 2021 + 11th April, 2021 and leave the station, subject to the leave admissibility certificate from DGPR (Sub-Office), Karachi.

He is expected to assume the charge of the same post and at the same station on expiry of above leave.

GHULAM RASOOL DAHAR,
Superintendent (Admn).

PAKISTAN INSTITUTE OF TRADE AND DEVELOPMENT

Islamabad, the 6th April, 2021

No. PITAD-Per-1(37)/2011.—In pursuance of Ministry of Commerce's Notification No. 15(6)/2010-Admn-III/CTG, dated 2nd April, 2021, Mr. Zahoor Elahi, BS-18 officer of Commerce and Trade Group has relinquished the charge of the post of Deputy Director (BS-18) on 6th April, 2021 in Pakistan Institute of Trade and Development, Islamabad.

ABBAS AHMED DURRANI,
Admin. Officer.

PAKISTAN METEOROLOGICAL DEPARTMENT

Islamabad, the 2nd April, 2021

No. E-2(3)/2008/494.—Consequent upon his promotion to the post of Assistant Meteorologist (BS-16) Mr. Sail-ur-Rehman, has assumed the charge of the post of Assistant Meteorologist (BS-16) at RMC, Peshawar on 14th November, 2020.

He will be on probation for a period of one year and if no order is issued on expiry of probationary period, it shall be deemed to have been extended for further period not exceeding one year.

Islamabad, the 6th April, 2021

No. E-2(21)/V/622.—On having been cleared by Departmental Promotion Committee (DPC) and duly approved by the Competent Authority, the following Assistants (BS-16) in Pakistan Meteorological Department

are promoted to the post of Superintendent (BS-16). They have assumed the charge of the post of Superintendent (BS-16) with effect from the dates and in the office / stations shown against their names:-

Sr. No.	Name M/s.	Date of assumption at charge	Place of posting on promotion
1.	Hameedullah Khan	31-03-2021	RMC Lahore
2.	Khalid Mahmood	18-03-2021	Met. HQs Islamabad

2. The above officer will be on probation for a period of one year and if no order is issued on expiry of probationary period, it shall be deemed to have been extended for further period not exceeding one year.

MUHAMMAD ARIF,
Dy. Chief Administrative Officer.

PAKISTAN POST

[DIRECTORATE GENERAL PAKISTAN POST]

Islamabad, the 29th March, 2021

No. 1058-IV.—In pursuance of Ministry of Communication, Government of Pakistan Islamabad's Notification No.1-8/2019-P.O-I dated 18th March, 2021, Mr. Ejaz Ahmed Minhas, Addl. Director General (FS) (BPS-22), Directorate General, Pakistan Post, Islamabad has assumed the charge of the post of Director General, PPOD/Chairman, Pakistan Postal Services Management Board (PPSMB) (BPS-22) on 18th March, 2021.

AHMAD ARBAB ABID,
Asstt. Dy. Director General (HR).

PAKISTAN PUBLIC WORKS DEPARTMENT

Islamabad, the 1st April, 2021

No. AI-717/700(1733).—Pursuant to this office order of even number dated 2nd March, 2021, Mr. Zulfiqar Ahmad After availing 1541 days ex-Pakistan Extra Ordinary leave without pay on Private affairs from 2nd January, 2017 to

22nd March, 2021, assumed charge to the post of Joint Administrative Officer, D.G's Office, Pak, PWD, Islamabad on 24th March, 2021 (23rd March, 2021 being holiday).

Islamabad, the 2nd April, 2021

No. AI-717/700(2120).—On attaining the age of superannuation, Mr. Manzoor Ahmed relinquished the charge of the post of Joint Administrative Officer (BS-17) Director General's Office, Pak. PWD, Islamabad on 2nd April, 2021 afternoon (3rd April, 2021 being holiday) and shall stand retired from Government Service with effect from 3rd April, 2021 afternoon by virtue of his date of birth as 4th April, 1961.

No. AIII-714/400(83).—In pursuance of para-18-a (i) (2-A) Leave Rules 1980 as amended by the Finance Division (Regulation Wing), Islamabad's Notification No. S.R.O.70(KE)2012, dated 29th August, 2012, the competent authority has been pleased to accept the option for encashment of L.P.R. exercised by Ch. Tahir Mahmood, Circle Office Superintendent (BS-17) (Gazetted) Central Civil Circle No. II Pak. PWD, Islamabad, he is hereby granted 365 days leave salary in lieu of LPR for the period from 3rd February, 2021 to 2nd February, 2022 in lieu of 365 days L.P.R.

He has been retired from Government service on the afternoon of 2nd February, 2022 on attaining the age of superannuation *i.e.* 60 years.

The expenditure involved is debitable under Head of Account (A-041014) Encashment of L.P.R. during current financial year *i.e.* 2020-21.

This issues with the approval of Director General, Pak. PWD.

Islamabad, the 5th April, 2021

No. AI-717/700(1352).—Pursuant to Ministry of Housing & Works Notification No.F.2(9)/2016-Admn-III dated 16th March, 2021, Mr. Muhammad Azam Zafar, relinquished charge to the post of Superintending Engineer, Central Civil Circle, Pak, PWD, Peshawar on 18th March, 2021 and took over charge to the post of Superintending Engineer, Project Civil Circle, Pak PWD, Lahore from Mr. Nadir Qayyum, Superintending Engineer on 22nd March, 2021.

No. AI-717/700(1287).—Pursuant to Ministry of Housing & Works Notification No. F. 2(9)/2016-Admn-III dated 16th March, 2021, Mr. Muhammad Shahzad, assumed the charge to the post of Superintending Engineer, Central Civil Circle, Pak, PWD, Peshawar on 19th March, 2021.

No. AI-717/700(2098).—Pursuant to Ministry of Housing & Works Notification No. F. 3(2)/2020-Admn-III dated 9th March, 2021, on his promotion Mr. Abdul Malik, assumed charge to the post of Joint Administrative Officer (BS-17) on acting charge basis, D.G's Office, Pak, PWD, Islamabad on 5th April, 2021.

He has been placed on probation for a period of one year extenbale by further period not exceeding by one year in accordance with the provision of Section 6(2) of the Civil Servants Act-1973.

M. B. KHATTAK,
Chief Administrative Officer.

PRESS INFORMATION DEPARTMENT

Islamabad, the 17th February, 2021

No. F.8(26)/2020-A.—On the recommendation of Departmental Promotion Committee meeting held on 14th January, 2021, and approval of the competent authority, *i.e.* Director General/PIO, Mr. Muhammad Mushtaq, Information Assistant BS-14 has been promoted as Editors BS-16 with effect from 14th January, 2021 on regular basis against the vacant post (under department quota) of Editor transferred from RIO, PID, Peshawar to PID Headquarters, Islamabad from the same date *i.e.* 14th January, 2021.

Islamabad, the 22nd March, 2021

No. F.23(2816)/96-A.—In pursuance of Federal Service Tribunal, Islamabad's judgement *vide* Letter No. 5719 dated 4th November, 2020, the intervening period from 19th September, 2016 to 13th June, 2017 in respect of Mr. Muhammad Shabbir, Assistant Private Secretary (BS-16), Press Information Department, Islamabad may be treated as on duty and arrears for intervening period may be given to him.

This superseds this department's notification of even number dated 21st June, 2017.

No. F.23(2816)/96-A.—In pursuance of Federal Service Tribunal, Islamabad's judgement *vide* Letter No. 5719 dated 4th November, 2020 withholding of two annual increment without cumulative effect may be restored from the same date *i.e.* 14th June, 2017 in respect of Mr. Muhammad Shabbir, Assistant Private Secretary (BS-16), Press Information Department, Islamabad.

This superseds this department's notification of even number dated 14th June, 2017.

SHAHID IMRAN RANJHA,
Deputy Director (Admin).

SECRETARIAT TRAINING INSTITUTE

Islamabad, the 5th April, 2021

No. F.2-1/2021-OMG.—In pursuance of Establishment Division's Notification No. F. 6-2/2020-E-VII, dated 26th March, 2021, the following OMG Probationers (BS-17) (U/T) (48th Common Training Programme) have assumed the charge of the post of Section Officer (Probationers) (BS-17) in the Secretariat Training Institute, Islamabad for Specialized Training Programme with effect from 5th April, 2021:-

S. No.	Name of Officers
1.	Mr. Muhammad Hamza Iqbal
2.	Ms. Ayesha Siddiqa
3.	Mr. Muhammad Osman Shakir
4.	Mr. Muhammad Imtiaz Azam
5.	Mr. Abdullah Khan Tareen
6.	Ms. Zoha Malik Sher
7.	Mr. Ali Ahmad
8.	Ms. Moomal Shahab
9.	Ms. Seep Jan
10.	Mr. Adil Hussain
11.	Mr. Noman Hafeez
12.	Mr. Ali Asad
13.	Mr. Muhammad Tayyab Tarar
14.	Ms. Anila Javaid
15.	Ms. Umaima Batool

S. No.	Name of Officers
16.	Mr. Umar Hayat
17.	Syed Muhammad Azeem Haider
18.	Mr. Ali Haider
19.	Ms. Hafsa Bint-i-Bilal
20.	Mr. Adeel Ali
21.	Ms. Pizwak Imtiaz

MUHAMMAD MUZAFFAR KHAN,
Director (OMG).

STAFF WELFARE ORGANIZATION

Islamabad, the 1st April, 2021

No. SWD-8(4)/2016/Admn/1247.—The competent authority *i.e.* Director General, Staff Welfare Organization, Islamabad has been pleased to allow Mr. Soomer Chohan, Welfare Officer (BS-16) to hold the current charge of the post of Staff Welfare Officer (BS-17), Staff Welfare Organization, Quetta for a period of three months (90-days) with immediate effect or till the availability of actual incumbent whichever is earlier.

He, in addition to his own pay, will be allowed, special pay equal to 20% of his basic pay subject to maximum of Rs. 12000/- per month in terms of Finance Division's O.M. No. F. 1(2)/Imp/2016-333, dated 1st July, 2016.

No. SWD-8(4)/2016/Admn/1239.—The competent authority *i.e.* Director General, Staff Welfare Organization, Islamabad has been pleased to allow Mr. Mansoor Ahmed, Instructor (BS-11) to hold the current charge of the post of Instructor (BS-16), Staff Welfare Organization, VTC, Quetta for a period of three months (90-days) with immediate effect or till the availability of actual incumbent whichever is earlier.

He, in addition to his own pay, will be allowed, special pay equal to 20% of his basic pay subject to maximum of Rs. 12000/- per month in terms of Finance Division's O.M. No. F. 1(2)/Imp/2016-333, dated 1st July, 2016.

Islamabad, the 5th April, 2021

No. SWD-15(100)/2015/Admn/1366.—Following postings/transfers are made in the public interest with immediate effect and until further orders:-

S. No.	Name and Designation of Officers	From	To
1.	Mr. Muhammad Javed Malik, Welfare Officer (BS-16)	Chaudhary Rehmat Ali, Community Centre, G-7, Islamabad	Staff Welfare Organization , Aabpara, Islamabad.
2.	Mr. Nasir Hussain, Welfare Officer (BS-16)	Staff Welfare Organization, Aabpara, Islamabad.	Chaudhary Rehmat Ali, Community Centre, G-7, Islamabad

2. This issues with the approval of Director General Staff Welfare Organization, Islamabad.

SABBAH MUSOOD,
Assistant Director (Admn).

Islamabad, the 1st April, 2021

No. SWD-8(4)/2016/Admn/1255.—The competent authority *i.e.* Director General, Staff Welfare Organization, Islamabad has been pleased to allow Mr. Sabbah Musood, Staff Welfare Officer working as Assistant Director (BS-17) to hold the additional charge of the post of Welfare Officer (BS-17), Staff Welfare Organization, Aabpara, Islamabad for a period of three months (90-days) with immediate

effect or till the availability of regular incumbent whichever is earlier.

He, in addition to his own pay, will be allowed, special pay equal to 20% of his basic pay subject to maximum of Rs. 12000/- per month in terms of Finance Division's O.M. No. F. 1(2)/Imp/2016-333, dated 1st July, 2016.

JAVED IQBAL,
Superintendent (Admn).

TRADE DEVELOPMENT AUTHORITY OF PAKISTAN

Karachi, the 26th March, 2021

No. TDAP-P(2045)/Estt-99.—The Secretary Trade Development Authority of Pakistan has been pleased to extend thirty (30) days earned leave on full pay in favour of Dr. Muhammad Hamid Ali, a BS-20 Officer of Commerce & Trade Group/Director General TDAP, Karachi with effect from 27th March, 2021 to 25th April, 2021.

No. TDAP-P(2026)/Estt-98.—Mr. Noman Bashir, Deputy Director, TDAP, Swat was on medical leave with effect from 21st December, 2020 to 19th February, 2021.

After availing sixty-one (61) days medical leave with effect from 21st December, 2020 to 19th February, 2021, Mr. Noman Bashir, Deputy Director, TDAP Swat has assumed the charge of the post of Deputy Director (BS-18) at Trade Development Authority of Pakistan, Swat on 22nd February, 2021 (due to suffix holidays on 20th & 21st February, 2021 *i.e.* Saturday & Sunday).

Karachi, the 31st March, 2021

No. TDAP-P(2151)/Estt-2006.—In pursuance of Ministry of Commerce's Notification No.15(7)/2004-Admn-III/CTG dated 10th March, 2021, Mr. Aasim Nawaz Tiwana, a BS-19 Officer of Commerce & Trade Group has assumed the charge for the post of Director (BS-19) at TDAP, Karachi on 17th March, 2021.

JINSAR ALI BHATTI,
Assistant Director (Estt-I).

Deputy Secretary (Admin-I)
MUHAMMAD IQBAL

Section Officer Imp-II
AYESHA LALED

and "Financial Proposals".

Sehat Sehat Program for the submission of "Technical,
 Proposal (TEP)," will be distributed to all Sehat
 of Sehat Sehat Program to which "Request-For-
 Consortium(s) to the National Steering Committee

ii. Identify and recommend the insurance company(s)

Sehat Sehat Program.

insurance & social health protection services for
 firm & companies for the delivery of health
 "Expression-of-Interest (EOI) pre-qualification of
 interested insurance companies in response to

i. Review and evaluate EOI documents submitted by

2. Admin Officer (PW)

Member \ Secretary :

4. CMO (Balochistan)

3. DG (Imp)

5. Director General (Coord)

Members :

1. Senior Joint Secretary (Admin), Ministry of PD&SI

Chairman :

Monitoring and Evaluation :

Ministry of Planning, Development and Special Initiatives in
 Evaluation Committee for the project "strengthening of
 Authority has been pleased to constitute following Bid

NO. F. 8(2)/Imp-II/PD&SI/2021—The Competent

Islamabad, the 18th March, 2021

score 30% weightage of the financial score.

out on the basis of 70% weightage to the technical

proposals after which final evaluation will be carried

iii. The Selection Committee will evaluate financial

TEP

original footage and give marks as mentioned in
of creativity, effectiveness, quality and use of

ii. The Committee will evaluate the video on the basis

for Proposal (TEP).

manpower on the criteria elaborated in the Request
marks for past experience, turnover, revenue and

i. The Selection Committee will analyse and award

5. TOBs of the committee :

4. Program Officer Coordination (DevCom).

Member \ Secretary :

3. Chief \ PD (Mass Media & DevCom)

5. Representative of PID (not below B2-18)

Members :

1. Senior Joint Secretary (Admin), Ministry of PD&SI

Chairman :

Communication" project.

Digital & Social Media under the "Development
Committee for hiring of firm for Development of Content for

has been pleased to constitute the following Selection
NO. F. 8(2)/Imp-II/PD&SI/2021—The Competent Authority

Islamabad, the 18th March, 2021

REGULATIONS & COORDINATION
MINISTRY OF NATIONAL HEALTH SERVICES,

SPECIAL INITIATIVES
MINISTRY OF PLANNING, DEVELOPMENT AND

The Gazette of Pakistan



PUBLISHED BY AUTHORITY

KARACHI, WEDNESDAY, JULY 21, 2021

PART V

Notifications, etc., issued by The Patent Office

NEW APPLICATIONS FOR THE PATENTS

The dates shown in the crescent brackets are the dates claimed under section 86 of the Patents Ordinance, 2000.

23rd November, 2020

784/2020 F. HOFFMANN-LA ROCHE AG, Switzerland. (Priority 14th March, 2016, EP).—“Pharmaceutically acceptable salt of an antisense oligonucleotide for Reduction of PD-L1 Expression”.

785/2020 F. HOFFMANN-LA ROCHE AG, Switzerland. (Priority 14th March, 2016, EP).—“Pharmaceutically acceptable salt of an antisense oligonucleotide for Reduction of PD-L1 Expression”.

786/2020 F. HOFFMANN-LA ROCHE AG, Switzerland. (Priority 14th March, 2016, EP).—“oligonucleotide for Reduction of PD-L1 Expression “

787/2020 Trinity Bay Equipment Holdings, LLC., U.S.A. (Priority 22nd November, 2019, US).—“POTTED PIPE FITTING SYSTEMS AND METHODS”.

788/2020 Trinity Bay Equipment Holdings, LLC., U.S.A. (Priority 22nd November, 2019, US).—“SWAGED PIPE FITTING SYSTEMS AND METHODS”.

789/2020 Trinity Bay Equipment Holdings, LLC., U.S.A. (Priority 22nd November, 2019, US).—“REUSABLE PIPE FITTING SYSTEMS AND METHODS”.

790/2020

AstraZeneca AB, Sweden. (Priority 2nd December, 2019, US).—“SOLID PHARMACEUTICAL FORMULATIONS OF 6-(2-CHLORO-6-METHYLPYRIDIN-4-YL)-5-(4-FLUOROPHENYL)-1,2,4-TRIAZIN-3-AMINE”.

24th November, 2020

791/2020

Chin-Lung YANG, Taiwan. (Priority 28th November, 2019, TW).—“FACE MASK WITH SUPPORTING STRIP”.

25th November, 2020

792/2020

DISARM THERAPEUTICS, INC., U.S.A. (Priority 26th November, 2019, US).—“METHODS AND COMPOSITIONS FOR NEUROPROTECTION”.

793/2020

LOHIA CORP LIMITED, India. (Priority 26th November, 2019, IN).—“A circular loom fitted with shed forming warp end guide”.

794/2020

LOHIA CORP LIMITED, Pakistan. (Priority 26th November, 2019, IN).—“A CIRCULAR LOOM FOR MANUFACTURING DOUP FABRIC AND A METHOD FOR MANUFACTURING IT”.

795/2020

BANN QUIMICA LTD, Brazil. (Priority 28th November, 2019, BR).—“PROCESS OF PURIFICATION OF LEUCOINDIGO SALT SOLUTIONS AND USE OF AN INERT GAS”.

796/2020

ORIENTUS INDUSTRY SDN BHD, Malaysia. (Priority 26th November, 2019, MY).—“A FILLABLE AEROSOL CONTAINER”.

797/2020

MUHAMMAD HAMMAD NASIR & ARSALAN YASIN, Pakistan. —“Semi-Automatic Vehicle Cover”.

27th November, 2020

143654

- 798/2020 BAYER PHARMA AKTIENGESELLSCHAFT, and BAYER AKTIENGESELLSCHAFT, Germany. (Priority 28th November, 2019, EP).—“SUBSTITUTED AMINOQUINOLONES AS DGKALPHA INHIBITORS FOR IMMUNE ACTIVATION” .
- 799/2020 Saurer Intelligent Technology AG, Switzerland. (Priority 29th November, 2019, EP).—“SPINNING POSITION AND AIR SPINNING MACHINE COMPRISING SUCH A SPINNING POSITION” .
- 800/2020 TAIHO PHARMACEUTICAL CO., LTD., and ASTEX THERAPEUTICS, LTD., Japan. (Priority 29th November, 2019, JP).—“A COMPOUND HAVING INHIBITORY ACTIVITY AGAINST KRAS G12D MUTATION”.

A textile paper yarn package that has a hollow body with opposing open ends, and formed of a paper blank having a novel shape that results in substantial savings in paper usage. The paper blank is having an outer end edge positioned on an exterior surface of the body and an inner end edge positioned on an interior surface of the body. The outer end edge of the paper blank forms a lap seam that extends in a spiral shape around a predetermined extent of the exterior of the body as it extends between the opposing ends of the body package. Also disclosed in the specification are a textile paper yarn cone and a textile paper yarn cone blank.

APPLICATION ACCEPTED

Notice is hereby given that the person interested in opposing the grant of Patents to any of the applications referred to below at any time within four months from the date of this Patents' journal may give notice at the Patent Office on the prescribed Form P-7 of the Patents Rules 18(1) of 2003.

The six figures number shown in the right hand side are those given to applications on acceptance of the complete specification under which the specification will be printed and subsequent proceeding taken.

The figures shown within square brackets after the title of inventions indicate their classification index at acceptance.

Typed copies of the specification which are to open to public inspection can be supplied by the Patent Office on payment of the prescribed charges which may be ascertained on application to the office.

- 1093/2010 Defence Science & Technology Organization (DESTO).—“SECRET”.

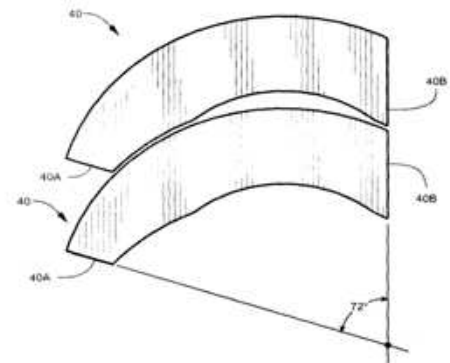
C02F142.

143653

SECRET

- 230/2017 Conitex- Sonoco U.S.A., Inc., United States of America.—“Textile yarn package formed from a paper blank”.

B65H54/10, B65H75/10, B65D3/06 & B65D3/28.



CORRIGENDUM

REGISTRATION OF ASSIGNMENT UNDER SECTION 55(2) RULE 37(b) OF THE PATENTS ORDINANCE 2000.

In the matter of Patent No. 140884 of 17th March, 2007 Priority date 21st March, 2006 (Europe). Granted to:- Bayer BioScience N.V. (a Belgian company), of Technologiepark 38, BE-9052 Gent, Belgium. And later on whose name was changed to: Bayer CropScience N.V.,

In pursuance of an application received on 24th February, 2020.

The following entry has been made in the Register of Patents:-

BASF Agricultural Solutions Seed US LLC, of 100 Park Avenue, Florham Park, 07932, New Jersey, United States of America, as proprietor by virtue of Deed of Assignment dated 1st August, 2018 made between Bayer CropScience N.V., as Assignor of the One Part and BASF Agricultural Solutions Seed US LLC., as assignee of the Other Part.

REGISTRATION OF ASSIGNMENT/MERGER UNDER SECTION 55(2) SECTION 37 (b) OF THE PATENTS ORDINANCE 2000

In the matter of Patent No. 143443 of 24th March, 2015 Priority date 24th March, 2014 (PCT/CN). Granted to: - BASF SE (a German company), of 67056 Ludwigshafen, Germany.

In pursuance of an application received on 16th September, 2020.

The following entry has been made in the Register of Patents:-

Archroma IP GmbH, Neuhofstr. 11, 4153 Reinach, Switzerland, as proprietor by virtue of Deed of Assignment dated 16th June, 2020 made between BASF SE as Assignor of the One Part and Archroma IP GmbH, as assignee of the Other Part.

PROCEEDING UNDER SECTION 45 OF THE ORDINANCE 2000.

Notice is hereby given that an application under section 45 of the Patents Ordinance, 2000 for restoration of a lapsed Patent No. 142752, dated: 14th February, 2013, Priority Date: 17th February, 2012 for the invention entitled "DRAFTING ARRANGEMENT FOR DRAWING A ROVING YARN".

Which ceased on 17th February, 2019 has been left at the Patent Office 18th June, 2020 on behalf of the Patentee, Saurer Components GmbH (a German company), of Maria-Merian-Straße 8, 70736 Fellbach, Deutschland.

Any person may give notice of opposition to the restoration by lodging form P-7 of the Patent Rules 2003, accompanied by the prescribed fee of Rs. 2250/- of The Patent Office, 3rd & 4th Floor, Pakistan Broad Casting Building, Near KDA Civic Centre, Karachi, within two months from the date of advertisement in the Gazette.

REGISTRATION OF ASSIGNMENT/MERGER UNDER SECTION 55(2) SECTION 37 (b) OF THE PATENTS ORDINANCE 2000

In the matter of Patent No. 143082 of 22nd August, 2006 Priority date 25th August, 2005 (USA). Granted to: - Novartis AG (a Swiss Corporation), of Lichtstrasse 35, 4056 Basel, Switzerland.

In pursuance of an application received on 19th August, 2020.

The following entry has been made in the Register of Patents:-

Recordati AG (a Swiss company), of Lindenstrasse 8, 6340 Baar, Switzerland, as proprietor by virtue of Deed of Assignment dated 12th July, 2019 made between Novartis AG as Assignor of the One Part and Recordati AG., as assignee of the Other Part.

REGISTRATION OF ASSIGNMENT/MERGER UNDER SECTION 55(2) SECTION 37 (b) OF THE PATENTS ORDINANCE 2000

In the matter of Patent No. 143083 of 21st October, 2010 Priority date 25th August, 2005 (USA). Granted to: - Novartis AG (a Swiss Corporation), of Lichtstrasse 35, 4056 Basel, Switzerland.

In pursuance of an application received on 19th August, 2020.

The following entry has been made in the Register of Patents:-

Recordati AG (a Swiss company), of Lindenstrasse 8, 6340 Baar, Switzerland, as proprietor by virtue of Deed of Assignment dated 12th July, 2019 made between Novartis AG as Assignor of the One Part and Recordati AG., as assignee of the Other Part.

REGISTRATION OF ASSIGNMENT/MERGER UNDER SECTION 55(2) SECTION 37 (b) OF THE PATENTS ORDINANCE 2000

In the matter of Patent No. 143468 of 6th July, 2015 Priority date 7th July, 2014 (USA). Granted to: - Novartis AG (a Swiss Corporation), of Lichtstrasse 35, 4056 Basel, Switzerland.

In pursuance of an application received on 19th August, 2020.

The following entry has been made in the Register of Patents:-

Recordati AG (a Swiss company), of Lindenstrasse 8, 6340 Baar, Switzerland, as proprietor by virtue of Deed of Assignment dated 12th July, 2019 made between Novartis AG as Assignor of the One Part and Recordati AG., as assignee of the Other Part.

REGISTRATION OF ASSIGNMENT/MERGER UNDER SECTION 55(2) SECTION 37 (b) OF THE PATENTS ORDINANCE 2000

In the matter of Patent No. 139212 of 13th November, 2004 Priority date 14th November, 2003 (GB). Granted to: - Novartis AG (a Swiss Corporation), of Lichtstrasse 35, 4056 Basel, Switzerland.

In pursuance of an application received on 19th August, 2020.

The following entry has been made in the Register of Patents:-

Recordati AG (a Swiss company), of Lindenstrasse 8, 6340 Baar, Switzerland, as proprietor by virtue of Deed of Assignment dated 12th July, 2019 made between Novartis AG as Assignor of the One Part and Recordati AG., as assignee of the Other Part.

**PROCEEDING UNDER SECTION 42 OF PATENT
ORDINANCE, 2000**

Any person may give notice of opposition to the amendment proposed in the under mentioned patent No. 143528 dated 20th February, 2019 (Priority Date: 15th May, 2009 Europe), lodging Form 7 of the Patent Rules, 2003 together with the prescribed fee of Rs. 2250/- at any time within two months from the date of advertisement in the e-journal/Gazette, at the Patent Office, 3rd & 4th Floor, Pakistan Broad Casting Building, Near KDA Civic Centre, Karachi.

Bayer CropScience Aktiengesellschaft, a company organized and existing under the laws of Germany, Alfred-Nobel-Str. 50, 40789 Monheim am Rhein, Germany.

SEEK TO AMEND THE Abstract and Claim 1 as above for the invention entitled

“Process for the Preparation of N-Benzyl-N-Cyclopropyl-3-(Dihalomethyl)-5-Halo-1-Methyl-Pyrazole-4-Carboxamide Compound”.

The proposed amendment is desired by way of correction.

The proposed amendment may be inspected in the Patent Office.

**PROCEEDING UNDER SECTION 42 OF PATENT
ORDINANCE, 2000**

Any person may give notice of opposition to the amendment proposed in the under mentioned patent No. 143433 dated 28th July, 2015 (Priority Date: 1st August, 2014, Europe), lodging Form 7 of the Patent Rules, 2003 together with the prescribed fee of Rs. 2250/- at any time within two months from the date of advertisement in the

e-journal/Gazette, at the Patent Office, 3rd & 4th Floor, Pakistan Broad Casting Building, Near KDA Civic Centre, Karachi.

Bayer Pharma Aktiengesellschaft, a company organized and existing under the laws of Germany, Mullerstr. 178, 13353 Berlin, Germany.

SEEK TO AMEND THE Specification Pages 21, 22, 26, 27, 28, 31, 33, 34, 35, 38, 39, 40, 41, 43, 44 and 45 as above for the invention entitled

“Process for preparing (4S)-4-(4-cyano-2-methoxyphenyl)-5-ethoxy-2, 8-dimethyl-1, 4-dihydro-1, 6-naphthyridine-3-carboxamide”.

The proposed amendment is desired by way of correction.

The proposed amendment may be inspected in the Patent Office.

**REGISTRATION OF ASSIGNMENT/MERGER UNDER
SECTION 55(2) SECTION 37 (b) OF THE PATENTS
ORDINANCE 2000**

In the matter of Patent No. 139911 of 5th August, 2006 Priority date 5th August, 2005 (Sweden). Granted to: - Eton System AB (A Swedish company), Djupadal, 507 71 GANGHESTER, Sweden.

In pursuance of an application received on 14th September, 2020.

The following entry has been made in the Register of Patents:-

INA Intelligent Technology (ZHEJIANG) CO, LTD. (a Chinese company), of No. 32 Building Feiyue Technology Park Jiaojiang, Taizhou, Zhejiang, China, as proprietor by virtue of Deed of Assignment dated 24th March, 2020 made between Eton System AB as Assignor of the One Part and INA Intelligent Technology (ZHEJIANG) CO, LTD., as assignee of the Other Part.

NEW APPLICATIONS FOR THE INDUSTRIAL DESIGNS

S. No.	Design No.	Title & Class	Applicant
23rd November, 2020			
1.	20624	TYRE (Class-03)	Service Industries Limited
2.	20625	TYRE (Class-03)	Service Industries Limited

S. No.	Design No.	Title & Class	Applicant
24th November, 2020			
3.	20626	Rubber Stamp (Class-03)	SHARYAR
4.	20627	ELAF BOTTLE DESIGN (Class-03)	ELAF FOOD AND BEVERAGES
5.	20628	Razor Blade (Class-03)	Dorco Co., Ltd.
6.	20629	Case for Razor Blade (Class-03)	Dorco Co., Ltd.
26th November, 2020			
7.	20630	REAR BUMPER FOR AN AUTOMOBILE (Class-03)	TOYOTA JIDOSHA KABUSHIKI KAISHA
8.	20631	FRONT BUMPER FOR AN AUTOMOBILE (Class-03)	TOYOTA JIDOSHA KABUSHIKI KAISHA
9.	20632	FRONT BUMPER FOR AN AUTOMOBILE (Class-03)	TOYOTA JIDOSHA KABUSHIKI KAISHA
27th November, 2020			
10.	20633	Wearable Brand for Muscle Activity Monitoring (Class-12)	National University of Sciences and Technology (NUST)
11.	20634	EKKO-Portable Vibration Therapy Device (Class-12)	National University of Sciences and Technology (NUST)
12.	20635	Autism Therapy Assistive device (Class-03)	National University of Sciences and Technology (NUST)
13.	20636	WEARABLE FITNESS DEVICE FOR PATIENTS WITH ASTHMA (Class-12)	National University of Sciences and Technology (NUST)
14.	20637	Cooking stove promoting sustainable lifestyle (Class-01)	National University of Sciences and Technology (NUST)
15.	20638	Smart Dog Haus designed for dog's training (Class-03)	National University of Sciences and Technology (NUST)
16.	20639	A Hybrid Device for Curing Seepage Cracks (Class-03)	National University of Sciences and Technology (NUST)
17.	20640	Pro Henna Kit (Class-12)	National University of Sciences and Technology (NUST)
18.	20641	Succor: A device for Visually disabled people for indoor navigation (Class-03)	National University of Sciences and Technology (NUST)
19.	20642	Potty Training Assistive Drive (Class-03)	National University of Sciences and Technology (NUST)

S. No.	Design No.	Title & Class	Applicant
20.	20643	Yaeger-6: A Prosthetic Limb for below elbow upper body amputees for replacing lost limbs (Class-03)	National University of Sciences and Technology (NUST)
21.	20644	Fin Tech Solutions for the Unbanked (Class-03)	National University of Sciences and Technology (NUST)
22.	20645	Hip Protect: A Smart portable body-worn Inflation System to Cushion a Fall (Class-12)	National University of Sciences and Technology (NUST)
23.	20646	Modular Rainwater Collection Storage (Class-03)	National University of Sciences and Technology (NUST)
24.	20647	A Car Roof Box with Attached Filters to Improve the Air Quality in the Environment (Class-03)	National University of Sciences and Technology (NUST)
25.	20648	Protective Headgear for Motorbike Riders (Class-12)	National University of Sciences and Technology (NUST)
26.	20649	Device to Boost Physical Activity in Kids (Class-12)	National University of Sciences and Technology (NUST)
27.	20650	High Alumina porcelain Body Faucet called Cevi (Class-04)	National University of Sciences and Technology (NUST)
28.	20651	EcoScape Pod: Physical Space for Office Employees to Help Relieve their Stress (Class-03)	National University of Sciences and Technology (NUST)
29.	20652	Biodegradable and Compostable emergency food packing for natural disaster victims (Class-12)	National University of Sciences and Technology (NUST)
30.	20653	Footwear for people with foot deformities (Class-10)	National University of Sciences and Technology (NUST)
31.	20654	e-brace for cure of straight neck syndrome, supporting healthy cervical posture (Class-03)	National University of Sciences and Technology (NUST)
32.	20655	Filtration and monitoring component for vehicles (Class-03)	National University of Sciences and Technology (NUST)
33.	20656	Instable Smart-watch: a device designed to stabilize the hand during pathological tremors (Class-01)	National University of Sciences and Technology (NUST)
34.	20657	River and ocean cleanup device (Class-01)	National University of Sciences and Technology (NUST)
35.	20658	First Aid immobilization splint for upper and lower extremities (Class-01)	National University of Sciences and Technology (NUST)

S. No.	Design No.	Title & Class	Applicant
36.	20659	Eco Greithe (Class-12)	National University of Sciences and Technology (NUST)
37.	20660	Boondh: Atmospheric Water Generator (Class-03)	National University of Sciences and Technology (NUST)
38.	20661	Plus One: Flood Rescue Transportation (Class-01)	National University of Sciences and Technology (NUST)
39.	20662	Grabot: Smart Automated Shopping Trolley (Class-01)	National University of Sciences and Technology (NUST)
40.	20663	Interactive Tool for Visual Communication for Partially Sighted Children (Class-03)	National University of Sciences and Technology (NUST)
41.	20664	Accessible Tabletop Game (Leisure) for Blind people to enhance their cognitive skills and connect them with sighted people (Class-03)	National University of Sciences and Technology (NUST)
42.	20665	Accessible Tabletop Game (Educational) for Blind people to enhance their cognitive skills and connect them with sighted people (Class-03)	National University of Sciences and Technology (NUST)
43.	20666	Rebin- A Kitchen Waste Bin Which Helps To Recycle Organic Waste Through Composting (Class-03)	National University of Sciences and Technology (NUST)
44.	20667	Electrical and portable mosquito repellent (Class-03)	National University of Sciences and Technology (NUST)
45.	20668	Autonomous VTOL UAV with Self-Reconnaissance (Class-01)	National University of Sciences and Technology (NUST)
46.	20669	Enclosure for Multipurpose MRI Coil (Class-01)	National University of Sciences and Technology (NUST)
47.	20670	Tweezer (Class-01)	M/s. QZA International
48.	20671	MP3 AUDIO TAPE (Class-01)	Ali Electronics Services
49.	20672	MP3 AUDIO TAPE (Class-01)	Ali Electronics Services

REGISTRATION OF DESIGNS

The following designs have been registered.

S. No.	Design No.	Title & Class	Applicant
23rd November, 2020			
1.	20249	Router/Amplifier (Four Wings) (Class-01)	Ijaz Engineering Works & Pumps
24th November, 2020			
2.	15474	Auto Rickshaw (Class-01)	Sazgar Engineering Works Limited
3.	19387	Beauty Tweezers (Class-01)	LEE Gwang Song
4.	20201	AM TERMITE CONTROL PING SYSTEM (Class-03)	Mr. Muhammad Ahmad
5.	20434	MP ₃ Audio Player (Class-01)	Nadeem Shareef

DR. MUHAMMAD FAYYAZ AHMAD,
Controller of Patents & Registrar of Designs.