

The Gazette of Pakistan

PUBLISHED BY AUTHORITY

No. 28]

KARACHI, WEDNESDAY, JULY 14, 2021

CONTENTS

	PAGES		PAGES
PART I — Notifications regarding appointments, promotions, etc., issued by Ministries/Divisions of the Government of Pakistan, Department of the Auditor-General of Pakistan and the Supreme Court of Pakistan other than the Ministry of Defence and Ministry of Defence Production	747—769	PART IV — Notifications issued by the minor administrations and miscellaneous notification not included in any other part	69—70
PART II — Notifications issued by the Ministry of Defence and Ministry of Defence Production	285—314	PART V — Notifications etc., issued by The Patent Office.	169—173
PART III — Notifications issued by the High Courts, the Federal Public Service Commission and by the Attached and Subordinate Offices of the Government of Pakistan	397—411	PART VI — Advertisements and Notices issued by Corporate Bodies and Private Individuals on payment.....	403—x
		SUPPLEMENT NO.	
		Weekly, notification of cases and deaths from quarantiable diseases	

PART I

Notifications regarding appointments, promotions, etc. issued by Ministries/Divisions of the Government of Pakistan, Department of the Auditor-General of Pakistan and the Supreme Court of Pakistan other than the Ministry of Defence and Ministry of Defence Production

PRIME MINISTER'S OFFICE (INTERNAL)

Islamabad, the 25th May, 2021

No. 8(9)-Admn/2017.—On the recommendations of Departmental Promotion Committee and with the approval of Military Secretary to the Prime Minister the following Assistants (BS-16) in this Office are promoted to the post of Superintendent (BS-16) with effect from 24th May, 2021 and until further orders.

- a. Mr. Javed Iqbal
- b. Mr. Shahzad Khan
- c. Mr. Muhammad Arif Khan

2. Accordingly, the Officers have assumed charge of the post of Superintendent (BS-16) with effect from the same date.

3. The Officers will be on probation for a period of one year under Civil Servants (Appointment, Promotion and Transfer) Rules, 1973.

MANSOOR AHMAD,
Assistant Secretary.

PRIME MINISTER'S OFFICE (PUBLIC)

Islamabad, the 25th May, 2021

No. F. 6(1)/2002-Admn.—Mr. Mahmood Ahmad, Assistant Private Secretary (BS-16) of Prime Minister's Office (Public) is granted 15 days LFP from 17th May, 2021 to 31st May, 2021.

After expiry of leave, the officer will join his duties on the same post and station.

HAIDER MUNAWAR CHEEMA,
Section Officer (Admn).

NATIONAL ACCOUNTABILITY BUREAU

Islamabad, the 18th May, 2021

No. 3(83)/P/2002/Admn-I.—This Bureau's notification of even number dated 22nd April, 2021 regarding grant of 10 days leave on full pay (LFP) with effect from 3rd May, 2021

(747)

to 12th May, 2021 in respect of Mr. Izhar Ahmed Awan, Director (BS-20), NAB (KP) Peshawar is hereby cancelled.

IMRAN SOHAIL,
Additional Director (PM).

Islamabad, the 17th May, 2021

No. 3(1604)/SK/2016/PM-III.—In continuation of this Bureau's notification of even number dated 22nd September, 2020, DG (HRM) has been pleased to approve extension in 90 days leave with full pay on medical grounds in respect of Mr. Shoaib Mehmood, Superintendent (BPS-17), NAB (HQ), Islamabad with effect from 24th January, 2021 to 23rd April, 2021.

MUHAMMAD SHOAIB,
Deputy Director (PM-I).

Islamabad, the 17th May, 2021

No. 3(1820)/R/2017-PM-II.—In pursuance of NAB HQ notification of even number dated 20th April, 2021, Mr. Muhammad Ibtisam Anwar, has assumed the charge of the post of Deputy Assistant Director (BPS-16), NAB (Balochistan), Quetta with effect from 26th April, 2021.

SYED IZHAR HUSSAIN SHAH,
Deputy Director (PM-III).

CABINET SECRETARIAT

(Cabinet Division)

Islamabad, the 24th May, 2021

No. PF. (899)-Admn-II.—With the approval of competent authority *i.e.* Additional Secretary-I, Mr. Qasim Rashid, Director (Prog) is assigned to hold additional charge of the post of Deputy Secretary (Dev-II/DDO/Signatory for the SAP Program), Development Wing, Cabinet Division with effect from 16th April, 2021, in addition to his own duties for a period of three (03) months of till posting of a regular officer, whichever is earlier.

No. PF. (1073)-Admn-II.—With the approval of competent authority *i.e.* Additional Secretary-I, Ms. Nida Rehman, Section Officer (NGO / TK), (BS-18), Cabinet Division is granted leave 45 days maternity leave form 26th April, 2021 to 9th June, 2021, in terms of 13(1) of the revised leave rules. 1980.

On expiry of leave, the officer is likely to resume her duties on the same post and station.

No. PF. (1073)-Admn-II.—With the approval of competent authority *i.e.* Additional Secretary-I, Mr. Mumtaz Ahmed, Section Officer (Hiring) (BS-17) is assigned to hold additional charge of the post of Section Officer (NGO/TK), Cabinet Division with effect from 26th April, 2021 to 9th June, 2021, during the leave period of the officer.

SARDAR MEHMOOD,
Section Officer (Admn-II).

(Aviation Division)

Islamabad, the 24th May, 2021

No. F. 1-11/2020-Admin.—Mr. Muhammad Arsalan Khan, Section Officer (AT-II) has been granted Additional Charge of the post of Section Officer (CAA) for a period of three (03) months with effect from 5th May, 2021 or till the posting of a regular Section Officer, whichever is earlier.

This issues with the approval of Secretary Aviation Division.

MUHAMMAD NAMAAN MUSTAFA,
Section Officer (Admin).

(Establishment Division)

Islamabad, the 16th April, 2021

No. PF (594)/E-5 (PAS).—Sardar Ajaz Ahmad Khan Jaffar, a BS-22 officer of Pakistan Administrative Service, presently posted as Secretary, Religious Affairs and Interfaith Harmony Division, is granted 17 days leave with effect from 14th April, 2021.

2. Mr. Haroon Ahmad Khan, a BS-21 officer of Pakistan Administrative Service, presently posted as Additional Secretary, Religious Affairs and Interfaith Harmony Division, shall look after the day to day business of the Ministry, in addition to his own duties during the leave period of Sardar Ajaz Ahmad Khan Jaffar (PAS/BS-22).

No. F. 01/02/2020-E-5 (PAS).—The competent authority has been pleased to grant proforma promotion in BS-20 and BS-21 to the following officers for the purpose of payment of arrears of pay and allowances only with effect from 20th March, 2020 :-

Sr. No.	Name of Officers	Service/Group/BS
1.	Lt. (Retd.) Sajid Baloch	PAS/BS-21
2.	Mr. Tariq Viqar Bakhshi	PAS/BS-21
3.	Mr. Ahmad Raza Sarwar	PAS/BS-21
4.	Lt. (Retd.) Islam Zaib	PAS/BS-20

No. PF. (852)/E-5 (PAS).—Dr. Aneela Salman, BS-20 officer of Pakistan Administrative Service, presently at the disposal of National School of Public Policy, is granted extension in leave (*ex-Pakistan*) on half average pay, for a further period of six months with effect from 23rd February, 2021, subject to title.

Upon expiry of leave the officer shall report to Establishment Division.

Government of Pakistan has no objection on her proceeding abroad subject to the condition that there will be no foreign exchange liability on the part of Government of Pakistan during her travel and stay abroad.

No. F. 12(54)/2000-E-3 (Police).—The leave (*ex-Pakistan*) of Capt. (Rtd.) Rommel Akram, a BS-20 officer of Police Service of Pakistan, is extended for a further period of six (6) months on half average pay with effect from 28th January, 2021.

No. F. 12(22)/2000-E-3 (Police).—The leave (*ex-Pakistan*) of Mr. Abdul Jabbar, a BS-20 officer of Police Service of Pakistan, is extended for a further period of two hundred seventy (270) days, on half average pay with effect from 27th March, 2021.

No. F. 12(5)/2013-E-3 (Police).—The acting charge appointment to BS-19 of Mr. Mufakhar Adeel, an officer of Police Service of Pakistan, presently at the disposal of Government of the Punjab, is withdrawn with immediate effect.

Upon withdrawal of his acting charge appointment to BS-19, services of Mr. Mufakhar Adeel will remain at the disposal of Government of the Punjab, until further orders.

No. F. 12(5)/2013-E-3 (Police).—The acting charge appointment to BS-19 of Mr. Muhammad Ashfaq, an officer of Police Service of Pakistan, presently serving in Federal Investigation Agency (FIA), under Interior Division, is withdrawn with immediate effect.

Upon withdrawal of his acting charge appointment to BS-19, services of Mr. Muhammad Ashfaq will remain at the disposal of Federal Investigation Agency (FIA), under Interior Division, until further orders.

No. F. 12(10)/2003-E-3 (Police).—This Division's notification of even number dated 21st December, 2020 whereby Mr. Muhammad Ashfaq Alam, a BS-19 officer of Police Service of Pakistan, presently serving under Government of the Punjab, was transferred and his services were placed at Government of Khyber Pakhtunkhwa is cancelled *ab-initio*.

OBITUARY

No. F. 12(33)/2005-E-3 (Police).—The Government of Pakistan announces with deep sorrow the sad demise of late Mr. Karamullah, a BS-19 officer of Police Service of Pakistan who expired on 22nd February, 2021 due to heart attack while in service.

Late Karamullah was born on 1st January, 1977 and appointed in Police Service of Pakistan on 15th September, 2005. He was lastly posted under Government of Sindh where he served in various capacities. Earlier, he served in Government of Balochistan, Frontier Constabulary (FC), National Highways and Motorway Police (NH&MP) in various capacities. He held important assignments and exhibited devotion to duty. His death has deprived the Government of Pakistan of an able and competent officer.

The Government of Pakistan wishes to place on record its appreciation of the services rendered by the deceased officer.

In expressing its deep sense of grief at the sudden demise of late Mr. Karamullah, the Government of Pakistan conveys its condolence and sympathy to the members of the bereaved family. May his soul rest in peace Ameen.

No. F. 12(80)/2012-E-3 (Police).—Mr. Aijaz Ahmed Hashmi, a BS-18 officer of Police Service of Pakistan, while posted under Government of Sindh, retired from Government Service on 15th September, 2019, on attaining the age of superannuation.

MARIAM KAYANI,
Deputy Secretary.

Islamabad, the 16th April, 2021

No. F. 16/03/2020-E-1.—Ms. Shahera Shahid, a BS-21 officer of Information Group, presently posted as Additional Secretary, Information & Broadcasting Division, is posted as Additional Secretary (In-charge), Information & Broadcasting Division with immediate effect and until further orders.

No. F. 16/03/2020-E-1.—Sayyed Mubashar Tauqir Shah, a BS-20 officer of Information Group, presently posted as Deputy Director General, Press Information Department, Islamabad, is promoted to BS-21 in that Group, on regular basis.

On promotion, Sayyed Mubashar Tauqir Shah, is transferred and posted as Additional Secretary, Information & Broadcasting Division, with immediate effect and until further orders.

No. F. 39/1125/2021-E-1.—The services of Mr. Tariq Mahmood, a BS-20 officer of Secretariat Group, presently posted as Director General (BS-20). Benazir Income Support Programme (BISP), are detached from the "Commission of Inquiry on Broadsheet and other International Cases" as Registrar of the Commission, with effect from 2nd April, 2021.

No. F. 1-5/2021-E-2.—Mr. Waheed Ullah Khan, a BS-19 officer of Secretariat Group, presently posted as Deputy Secretary, Human Rights Division, is transferred and his services are placed at the disposal of Overseas Pakistanis and Human Resource Development Division, for further posting as Community Welfare Attache in Doha, Qatar, with immediate effect and until further orders.

On completion of tenure, the officer shall report to Establishment Division.

No. F. 11/16/2017-E-1.—Mr. Muhammad Saeedullah Khan Niazi, a BS-19 officer of Pakistan Audit & Accounts Service (PA&AS), presently awaiting posting in Office of the Auditor General of Pakistan, is transferred and posted as Chief Finance & Accounts Officer (CF&AO), National Health Services, Regulations & Coordination Division (OPS), with immediate effect and until further orders.

No. F. 2/1/2021-E-8.—The Competent Authority is pleased to appoint Syed Waqas, as Senior Manager (ITU&UN) (MP-III), Information Technology and Telecommunication Division, on contract basis, for a period of three (03) years as per terms and conditions laid down in Management Position Scales Policy, 2020, with effect from the dated of joining and until further orders.

This Division's earlier notification of even number dated 29th March, 2021 in respect of Syed Waqas is hereby withdrawn *ab-initio*.

QURATULAIN FATIMA, *Flt. Lt. (R)*,
Deputy Secretary.

Islamabad, the 16th April, 2021

No. PF. 1307/2014-E-VII.—Ms. Fizza Shahid (OMG/BS-18), Section Officer, Economic Affairs Division is transferred and her services are placed at the disposal of Civil Services Academy (CSA), Lahore, on standard terms and conditions of deputation for a period of three years, with immediate effect and until further orders.

SHAMS-UD-DIN,
Section Officer.

Islamabad, the 16th April, 2021

No. 1/331/2019-E-4.—Mr. Muhammad Arif Raheem, a BS-18 officer of Provincial Management Service (PMS), Government of the Punjab, presently at the disposal of Establishment Division is repatriated to Government of Punjab with immediate effect.

FALAK SHER,
Section Officer.

(Poverty Alleviation & Social Safety Division)

Islamabad, the 3rd May, 2021

No. 8-2/2005 (A-IV)-450.—Consequent upon approval of the Secretary, Poverty Alleviation and Social Safety Division, Allah Nawaz Jasra, Superintendent (BS-17) has been allowed current charge of the vacant post of Section Officer (BS-17) (B&C), Property Alleviation and Social Safety Division with effect from 2nd April, 2021 for a period of 3 months or till the posting of a regular Section Officer by the Establishment Division, whichever is earlier.

He is allowed to draw 20% of his basic pay subject to maximum of Rs. 12,000/- per month as admissible under the rules.

DR. MUHAMMAD ALI,
Section Officer (Admn).

[BENAZIR INCOME SUPPORT PROGRAMME]

Islamabad, the 8th March, 2021

No. 1(1457)/BISP/HR/BAL/20.—Engr. Rehmatullah Baloch, Business Manager (Operations) (BPS-17), Pakistan Telecommunication Company Limited (PTCL) Islamabad, presently posted as Assistant Director (SPS-17), BISP Tehsil Office Dera Murad Jamali, Balochistan Region, is

hereby repatriated to his parent department, with immediate effect.

This issues with the approval of the Secretary BISP.

AKHTAR SAEED,
Director HR (Regions).

Islamabad, the 10th March, 2021

No. F. 1(950)/BISP/HR/2017.—In pursuance of Establishment Division's Notification No. 39/1125/2021-E-I, dated 26th February, 2021, on promotion to BS-20 Mr. Tariq Mahmood, an Officer of Secretariat Group, has assumed the charge of the post of Director General (SPS-20), Benazir Income Support Programme (BISP), Islamabad, with effect from 26th February, 2021, on deputation basis, on standard terms and conditions.

No. F. 1(950)/BISP/HR/2017.—In pursuance of Establishment Division's Notification No. 39/1125/2021-E-I, dated 26th February, 2021, Mr. Tariq Mahmood, a BS-19 Officer of Secretariat Group, presently posted as Director General (SPS-20), BISP HQ, Islamabad under Section 10 of the Civil Servants Act, 1973, has relinquished the charge of the said post with effect from 26th February, 2021.

ABDUL LATIF,
Director HR (HQ & Policy).

WAFAQI MOHTASIB (OMBUDSMAN)'S SECRETARIAT

Islamabad, the 9th March, 2021

No. 1(473)A-I/2021.—In pursuance of this Secretariat's Office Order No. 176/2021, dated 1st March, 2021, Mr. Tanweer Hussain Shah, has assumed the charge of the post of Superintendent (BS-16) at Wafaqi Mohtasib Secretariat, Head Office, Islamabad with effect from 3rd March, 2021.

SHAHID MAHMOOD,
Dy, Director (Admn-I).

MINISTRY OF COMMERCE

Islamabad, the 9th March, 2021

No. 11(1)/2015-C-II/AOs.—Mr. Riaz Ahmed Shaikh, a BS-20 officer of Commerce & Trade Group, presently posted as Director General Trade Development Authority of Pakistan, Karachi is assigned additional charge of the post of Director, Pakistan Cotton Standards Institute, Karachi for a period of three months or till regular appointment of Director, Pakistan Cotton Standards Institute, Karachi whichever is earlier.

SIDRA MUNAF,
Section Officer (AOs).

Islamabad, the 9th March, 2021

No. 7(9)/2018-Admn-I/HR-I.—In pursuance of Establishment Division's Notification No. 40/627/2021-E-I, dated 26th February, 2021, consequent upon her regular promotion to BS-21, Ms. Aisha Humera Chaudhary, an officer of Secretariat Group, has relinquished charge of the post of Joint Secretary (BS-20), Ministry of Commerce, Islamabad, on 26th February, 2021 and assumed charge of the post of Senior Joint Secretary (BS-21) in Ministry of Commerce, on the same day.

Islamabad, the 10th March, 2021

No. 7(1)/2021-HR-I.—In pursuance of Establishment Division's Notification No. F. 1-18/2011-E-2, dated 23rd September, 2020, read with that Division's Notification No. F. 39/1142/2021-E-1, dated 26th February, 2021, Mr. Mazhar-ul-Hassan Shah, BS-20 Officer of Secretariat Group, has relinquished charge of the post of Joint Secretary, Ministry of Commerce, Islamabad, on 2nd March, 2021 (A.N). The officer stands retired from Government Service on attaining the age of superannuation on 2nd March, 2021.

MUHAMMAD IMTIAZ,
Deputy Director (HR-I).

Islamabad, the 10th March, 2021

No. 4(5)/93-Admn-III/CTG.—Mr. Muhammad Yousaf Khan, BS-21 officer of Commerce and Trade Group previously posted as Senior Director General, Trade Development Authority of Pakistan, Karachi is granted leave Encashment *i.e.* 365 days in lieu of one year LPR with effect from 9th December, 2019 to 8th December, 2020.

The officer stood retired from Government Service on attaining the age of superannuation on 8th December, 2020.

This issues with the approval of Secretary Commerce.

No. 15(7)/2004-Admn-III/CTG.—The services of Mr. Asim Nawaz Tiwana, BS-19 officer of Commerce & Trade Group, presently awaiting posting in Ministry of Commerce are placed at the disposal of Trade Development Authority of Pakistan (TDAP) Karachi, for further posting with immediate effect and until further orders.

No. 1(7)/2020-DD-CTG.—Mr. Khalid Mehmood Baig, BS-17 officer of Commerce and Trade Group presently posted as Assistant Director, Trade Development Authority of Pakistan, Islamabad is granted leave Encashment *i.e.* 365 days in lieu of one year LPR with effect from 10th November, 2020 to 9th November, 2021.

The officer stood retired from Government Service on attaining the age of superannuation on 9th November, 2021.

This issues with the approval of Secretary Commerce.

SABIHA PARVEEN,
Deputy Director (CTG).

MINISTRY OF COMMUNICATIONS

Islamabad, the 9th March, 2021

No. PF. 238/2020-Admn.—In pursuance of Office of the Auditor General of Pakistan *vide* Notification No. 14-Dir(A)/2-3/21 dated 26th February, 2021 and F. 13-Dir(A)/I-2/P-20&21/CSB/2020 dated 26th February, 2021, Mr. Waseem Arshad, an officer (BS-19) of Pakistan Audit & Accounts Service, posted as CF&AO in Ministry of Communications has assumed the charge for the post of CF&AO (BS-20) on his promotion on regular basis with effect from 26th February, 2021 in Ministry of Communications, Islamabad.

MAJID ABBAS,
Section Officer.

DEPARTMENT OF THE AUDITOR GENERAL OF PAKISTAN

Islamabad, the 8th March, 2021

No. 20-Dir(A)/2-2/21.—In partial modification of this office Notification No. 19/Dir(A)/2-2/21, dated 5th March, 2021, the Auditor General of Pakistan has been pleased to order to withdraw the posting/transfer with respect to Mr. Muhammad Zafar Jamal Khattak, BS-19/PA&AS, as Director General Audit District Government. KP, Peshawar (OPS), in the public interest with immediate effect and until further orders.

Islamabad, the 10th March, 2021

No. 37-Dir(A)/11-364/Discip/2018.—Whereas, disciplinary proceedings under Government Servants (Efficiency & Discipline Rules. 1973 were initiated against Mr. Asghar Ali Mahar, BS-18/PA&AS *vide* Charge Sheet dated 21st August, 2019 and Syed Shozab Raza Naqvi, B-19 officer of PA&AS was appointed as Inquiry Officer to conduct denovo inquiry against the accused officer on account of allegations constituting "Inefficiency" and "Misconduct" in terms of Rule 3 (a)&(b).

The Deputy Auditor General (A&C) being "Authorized Officer" has been pleased to accept the findings of the inquiry Officer and EXONERATED the accused officer of all the charges leveled against him.

MUHAMMAD TAYYAB,
Director (Admin).

Islamabad, the 9th March, 2021

No. 491/PAAS-I/31-98-I(478).—Mr. Masood Akhtar Sherwatee, a BS-21 officer of Pakistan Audit & Accounts Service, has relinquished charge of the post of Accountant General Pakistan Revenues, Islamabad on 26th February, 2021 and assumed charge of the post of Deputy Auditor General (Policy), office of the Auditor-General of Pakistan, Islamabad on 1st March, 2021, in pursuance of Auditor General of Pakistan Notification No. 15-Dir(A)/2-2/21, dated 26th February, 2021.

AMMARA YUNUS,
Assistant Auditor General (PAAS).

[OFFICE OF THE CONTROLLER GENERAL OF ACCOUNTS]

Islamabad, the 10th March, 2021

No. 239/CGA/Admn-I/01-171/2021.—In pursuance of office of the Auditor General of Pakistan Notification No. 19-Dir(A)/2-2/21 dated 5th March, 2021, Mr. Khuram Reza Qureshi, a BS-21 officer of the Pakistan Audit & Accounts Service (PA&AS), has relinquished the charge of the post of Deputy CGA (FABS) in this office on 9th March, 2021.

No. 234/CGA/Admn-I/01-102/2012.—In pursuance of office of the Auditor General of Pakistan Notification No. 19-Dir(A)/2-2/21 dated 5th March, 2021, Mr. Babur Aziz Beg, a BS-20 officer of the Pakistan Audit & Accounts Service (PA&AS), has assumed the charge of the post of Director General (Admin) in this office on 9th March, 2021.

No. 235/CGA/Admn-I/01-167/2020.—In pursuance of office of the Auditor General of Pakistan Notification No. 19-Dir(A)/2-2/21 dated 5th March, 2021, Mr. Muhammad Asaf Khan, a BS-20 officer of the Pakistan Audit & Accounts Service (PA&AS), has relinquished the charge of the post of DG (Admin) in this office on 9th March, 2021.

No. 236/CGA/Admn-I/01-167/2020.—In pursuance of office of the Auditor General of Pakistan Notification No. 19-Dir(A)/2-2/21 dated 5th March, 2021, Mr. Muhammad Asaf Khan, a BS-20 officer of the Pakistan Audit & Accounts Service (PA&AS), has assumed the charge of the post of Director General (Accounts) in this office on 9th March, 2021.

No. 237/CGA/Admn-I/01-100/2012.—In pursuance of office of the Auditor General of Pakistan Notification No. 19-Dir(A)/2-2/21 dated 5th March, 2021, Mr. Shehzad Hasan, a BS-20 officer of the Pakistan Audit & Accounts Service (PA&AS), has relinquished the charge of the post of DG (Accounts) in this office on 9th March, 2021.

No. 238/CGA/Admn-I/01-100/2012.—In pursuance of office of the Auditor General of Pakistan Notification No. 19-Dir(A)/2-2/21 dated 5th March, 2021, Mr. Shehzad Hasan, a BS-20 officer of the Pakistan Audit & Accounts Service (PA&AS), has assumed the charge of the post of Deputy CGA (OPS) in this office on 9th March, 2021.

JIBRAN KHAN DURRANI,
Assistant Controller General (Admin).

ELECTION COMMISSION OF PAKISTAN

Islamabad, the 8th March, 2021

No. F. 3(9)/2019-Estt-I.—In pursuance of Establishment Division's Notification No. 1/274/2019-E-4, dated the 22nd January, 2021, the services of Mr. Muhammad Jan, a BS-20 officer of Pakistan Audit and Accounts Service, presently

posted as Director General Audit, District Governments, Khyber Pakhtunkhwa, Peshawar, have been placed at the disposal of Election Commission of Pakistan against the vacant post of Additional Director General (Budget) BS-20 on deputation basis on standard terms and conditions till his date of superannuation *i.e.* 10th November, 2021 and until further orders.

Mr. Muhammad Jan has assumed the charge of the post of Additional Director General (Budget-BS-20) in the Election Commission Secretariat, Islamabad with effect from 19th February, 2021.

Islamabad, the 9th March, 2021

No. F. 4(55)/2016-Estt-I.—Mr. Inayat Hussain, a BS-18 officer of Election Commission of Pakistan presently posted as District Election Commissioner, Karachi (South) shall stand voluntarily retired from Government service with effect from 1st April, 2021.

His date of birth is 4th May, 1968 and he completes 26 years, 01 month and 30 days qualifying service for pension till 31st March, 2021.

This issues approval of the *Hon'ble* Chief Election Commissioner.

IMRAN ZAFAR,
Deputy Director (Estt-I).

Islamabad, the 10th March, 2021

No. F. 3(I)/2019-Estt-II.—In pursuance of this Commission's notification of even number dated 24th February, 2021, Mr. Muhammad Mehtab Ahmed Khan has assumed the Charge of the post of Assistant Director (ER-I) (BS-17) in the Election Commission Secretariat, Islamabad on 25th February, 2021.

No. F. 3(I)/2019-Estt-II.—In pursuance of this Commission's notification of even number dated 24th February, 2021, Mrs. Samreen Zafar has assumed the Charge of the post of Assistant Director (Elections-I) (BS-17) in the Election Commission Secretariat, Islamabad on 25th February, 2021.

No. F. 3(I)/2019-Estt-II.—In pursuance of this Commission's notification of even number dated 24th February, 2021, Mr. Muhammad Yasir has assumed the Charge of the post of Assistant Director (Monitoring) (BS-17) in the Election Commission Secretariat, Islamabad on 25th February, 2021.

No. F. 3(I)/2019-Estt-II.—In pursuance of this Commission's notification of even number dated 24th February, 2021, Mr. Hammad Badal has assumed the Charge of the post of Assistant Director (R&I) (BS-17) in the Election Commission Secretariat, Islamabad on 25th February, 2021.

No. F. 3(I)/2019-Estt-II.—In pursuance of this Commission's notification of even number dated 24th February, 2021, Mr. Muhammad Rizwan has assumed the Charge of the post of Assistant Director (LGE-Sindh) (BS-17) in the Election Commission Secretariat, Islamabad on 25th February, 2021.

No. F. 3(I)/2019-Estt-II.—In pursuance of this Commission's notification of even number dated 24th February, 2021, Mrs. Zahida Abbas has assumed the Charge of the post of Assistant Director (Accounts) (BS-17) in the Election Commission Secretariat, Islamabad on 25th February, 2021.

No. F. 3(I)/2019-Estt-II.—In pursuance of this Commission's notification of even number dated 24th February, 2021, Mr. Muhammad Qazzafi Khan has assumed the Charge of the post of Assistant Director (LGE-Punjab) (BS-17) in the Election Commission Secretariat, Islamabad on 25th February, 2021.

No. F. 3(I)/2019-Estt-II.—In pursuance of this Commission's notification of even number dated 24th February, 2021, Mr. Muhammad Ali has assumed the Charge of the post of Assistant Director (LGE-Balochistan) (BS-17) in the Election Commission Secretariat, Islamabad on 25th February, 2021.

No. F. 3(I)/2019-Estt-II.—In pursuance of this Commission's notification of even number dated 24th February, 2021, Mr. Muhammad Asad Ali has assumed the Charge of the post of Assistant Director (Development) (BS-17) in the Election Commission Secretariat, Islamabad on 26th February, 2021.

No. F. 3(I)/2019-Estt-II.—In pursuance of this Commission's notification of even number dated 24th February, 2021, Mr. Muhammad Tariq has relinquished the Charge of the post of Senior personal Assistant (BS-16) in the Election Commission Secretariat, Islamabad in the afternoon of 25th February, 2021.

No. F. 3(I)/2019-Estt-II.—In pursuance of this Commission's notification of even number dated 24th February, 2021, Mr. Tanveer Islam has relinquished the Charge of the post of Senior personal Assistant (BS-16) in the Election Commission Secretariat, Islamabad in the afternoon of 26th February, 2021.

No. F. 3(I)/2019-Estt-II.—In pursuance of this Commission's notification of even number dated 24th February, 2021, Mr. Muhammad Mazhar Jamil has relinquished the Charge of the post of Senior personal Assistant (BS-16) in the Election Commission Secretariat, Islamabad on 26th February, 2021.

BASIL AKRAM,
Deputy Director (Estt-II).

[OFFICE OF THE PROVINCIAL ELECTION COMMISSIONER PUNJAB]

Lahore, the 10th March, 2021

No. F-8(1)/2021-Estt.—Mr. Javed Iqbal, District Election Commissioner-II, Multan, is granted 12 days leave on full pay with effect from 22nd March, 2021 to 2nd April, 2021 prefixing the closed holidays falling on 20th March, 2021 to 21st March 2021 (Saturday & Sunday).

2. On the expiry of leave, the above name officer likely to assume the charge of the same post.

3. Mr. Liaqat Nawaz Shahid, Election Officer in the office of District Election Commissioner-I, Multan will look after the work of the office of District Election Commissioner-II, Multan during the leave period of Mr. Javed Iqbal, District Election Commissioner-II, Multan.

TAHIR MANSOOR KHAN,
Director (Estt.).

MINISTRY OF ENERGY

(Petroleum Division)

Islamabad, the 8th March, 2021

No. 1(1)/2006-Admn.—Pursuant to Establishment Division's Notification No. F. 1/2/2020/E-5(PAS), dated 26th February, 2021, Mr. Muhammad Haroon-ur-Rafique, a BS-21 officer of Pakistan Administrative Services, has assumed the charge of the post of Additional Secretary (BS-21) in Petroleum Division on 1st March, 2021.

No. 4(131)/2020-Admn.—Ms. Saira Najeeb Ahmed, Joint Secretary (I&JV/Dev)/BS-20, of this Division, is granted 24 days *ex-Pakistan* leave (LFP) with effect from 24th March, 2021 to 16th April, 2021 to visit, United Kingdom, alongwith permission to leave the station with effect from 23rd March, 2021 to 18th April, 2021. During her leave, Mr. Sajid Mehmood Qazi, Senior Joint Secretary (A&CA)/BS-21, will look after the work of Joint Secretary (I&JV/Dev) with effect from 23rd March, 2021 to 18th April, 2021.

The officer is likely to resume for duty on the same post and station after expiry of the said leave.

This issues with the approval of Secretary (Petroleum Division).

No. 4(6)/2003-Admn.—With the approval of competent authority, Mr. Khurram Bhatti, Director (BS-19) of this Division, is granted leave encashment for 365 days in lieu of LPR (as per existing conditions) with effect from 19th August, 2020 to 18th August, 2021. He will retire from Government Service on attaining the age of superannuation on 18th August, 2021 *i.e.* 60 years. His pension will start from 19th August, 2021.

This issues with the approval of Secretary Petroleum Division.

No. 4(138)/2020-Admn.—The Competent Authority has been pleased to allow Mr. Umer Saeed Khan, Section Officer (D-III) / (BS-18) of this Division, to hold additional charge of the post of Section Officer (D-II) in addition to his own duties for a period of ninety (90) days, with immediate effect or till the availability of a regular incumbent whichever is earlier.

This issues with the approval of Secretary (Petroleum Division).

No. 4(138)/2020-Admn.—In continuation of this Division's notification of even number dated 8th February, 2021 Ms. Tazeem Fatima, Section Officer (D-II), of this Division is granted extension in medical leave (LFP) for further two weeks with effect from 1st February, 2021 to 14th February, 2021, Mr. Shahbaz Khan, Section Officer (CDN/PATA) will look after the work of Section Officer (Mineral) with effect from 1st February, 2021 to 14th February, 2021.

This issues with the approval of Secretary (Petroleum Division).

MUHAMMAD BILAL KHAN,
Section Officer (Admn).

(Power Division)

Islamabad, the 8th March, 2021

No. 4(379)/2018-Admn.—In pursuance of Establishment Division's Notification No. F. 39/1135/2021-E-I dated 26th February, 2021, Mr. Sajjad Haider Yaldram, a BS-19 officer of Secretariat Group, has relinquished the charge of the post of Deputy Secretary, Ministry of Energy (Power Division) on 1st March, 2021.

Islamabad, the 9th March, 2021

No. 4(406)/2021-Admn.—In pursuance of Establishment Division's Notification No. F. 40/641/2021-E-I dated 26th February, 2021, Mr. Alam Zeb Khan, a BS-21 officer of Secretariat Group, on promotion has assumed the charge of the post of Senior Joint Secretary, Ministry of Energy (Power Division) on 1st March, 2021.

UMER VAQAR,
Section Officer (Admn).

MINISTRY OF FEDERAL EDUCATION AND
PROFESSIONAL TRAINING

Islamabad, the 9th March, 2021

No. F. 1-37/2019-FCE.—In pursuance of this Ministry Notification No. 5-1/2019-Prom (CSB) dated 2nd March, 2021 the competent authority, Ministry of Federal Education & Professional Training, has been pleased to allow the charge assumption in respect of Ms. Saima Rehman Dogar, Associate Professor (BS-19), Federal College of Education,

Islamabad to the post of professor (BS-20) with effect from 3rd March, 2021 for smooth functioning of the college.

MUHAMMAD ZULFIQAR JATOI,
Section Officer (Colleges).

MINISTRY OF FINANCE, REVENUE AND ECONOMIC
AFFAIRS

(Finance Division)

[HRM WING]

Islamabad, the 2nd April, 2020

No. PF. 4(510)HR-I/2016.—In pursuance of Establishment Division's Notification No. 3-30/2015-E-2, dated 30th March, 2020, Syed Irfan Abbas Shah, a BS-19 Officer of Inland Revenue Service, has relinquished the charge of the post of Deputy Secretary (BS-19), Finance Division, Islamabad on 31st March, 2020.

Islamabad, the 3rd April, 2020

No. PF. 7(100)HR-I/2015.—In pursuance of this Division's Notification No. F. 1(11)HR-I/2009-509, dated 26th March, 2020, Mr. Inam-ur-Rahim, has relinquished the charge of the post of Private Secretary (BS-17) and assumed the charge of the post of Private Secretary (BS-18), Finance Division' Islamabad with effect from 12th January, 2020.

Islamabad, the 7th April, 2020

No. PF. 5(634)HR-I/2011/572.—In continuation of this Division's notification of even number dated 2nd March, 2020, Mr. Nadeem Arshad, Section Officer, Finance Division, Islamabad is granted extension of thirty eight (38) days leave on full pay from 29th February to 6th April, 2020, subject to title.

Islamabad, the 8th April, 2020

No. PF. 4(551)HR-I/2019.—In pursuance of Establishment Division's Notification No. F. 1-47/2019-E-2 dated 31st March, 2020, Mr. Ishtiaq Ahmad, has relinquished the charge of the post of Deputy Secretary, under Section-10 of the Civil Servants Act., 1973 and assumed the charge of the post of Deputy Secretary (BS-19/SG), Finance Division with effect from 10th October, 2019.

No. PF. 4(552)HR-I/2020.—In pursuance of Establishment Division's Notification No. F. 1-52/2019-E-2 dated 31st March, 2020, Mr. Mazhar Javed, has relinquished the charge of the post of Deputy Secretary, under Section-10 of the Civil Servants Act., 1973 and assumed the charge of the post of Deputy Secretary (BS-19/SG), Finance Division with effect from 31st March, 2020.

No. PF. 2(135)HR-I/2019.—In pursuance of Establishment Division's Notification No. F. 41/480/2017-E-1,

dated 6th April, 2020, Mr. Omar Hamid Khan, has relinquished the charge of the post of Special Secretary, (BS-22), Finance Division, Islamabad on 7th April, 2020.

Islamabad, the 13th April, 2020

No. PF. 4(554)HR-I/2020.—In pursuance of Establishment Division's Notification No. 1-50/2019-E-2, dated 6th April, 2020, Mr. Zia-ur-Rehman, has assumed the charge of the post of Deputy Secretary, (BS-19/SG), Finance Division, Islamabad on 7th April, 2020.

Islamabad, the 15th April, 2020

No. PF. 5(734)HR-I/2017.—In pursuance of Establishment Division's Notification No. PF. 1229/2013-E-VII, dated 27th February, 2020, Ms. Parveen Mubarak, has relinquished the charge of the post of Section Officer, (BS-18/OMG), Finance Division, Islamabad on 13th April, 2020.

Islamabad, the 16th April, 2020

No. PF. 5(756)HR-I/2019.—In pursuance of Establishment Division's Notification No. PF. 1108/2013-E-VII, dated 8th April, 2020, Mr. Haider Munawar Cheema, has relinquished the charge of the post of Section Officer, (BS-18), Finance Division, Islamabad on 13th April, 2020.

Islamabad, the 20th April, 2020

No. PF. 4(461)HR-I/2011.—In exercise of powers conferred *vide* Establishment Division's O.M. No. 1/21/76-AR.I/R.II, dated 18th June, 1980 as amended *vide* O.M. No. 1/17/2000-R.2, dated 21st November, 2000 and with the approval of competent authority, Raja M. Akhtar Iqbal, Deputy Secretary Exp (I&B/FBR), Finance Division is assigned current charge of the post of Joint Secretary-Exp (I&B/FBR), Finance Division, in addition to his own duties with effect from 13th April, 2020 for a period of three months or till posting of a regular Officer, whichever is earlier.

2. He will draw pay in his own pay scale *plus* additional pay pay equal to 20% of his basic pay subject to maximum of Rs. 12,000/- p.m. in terms of FR-35 and proviso to Section -17 of the Civil Servants Act, 1973 and Finance Division's O.M. No. F. 1(12)Imp/2016-333, dated 1st July, 2016.

Islamabad, the 21st April, 2020

No. PF. 3(276)HR-I/2019.—In pursuance of Establishment Division's Notification No. F. 12/2/2019-E-I, dated 14th April, 2020, Dr. Iftikhar Amjad (BS-19), has relinquished the charge of the post of Joint Secretary Finance Division on 17th April, 2020.

Islamabad, the 27th April, 2020

No. PF. 4(468)HR-I/2012.—This Division's notification of even number dated 17th March, 2020 regarding grant of Fifteen (15) days leave *Ex-Pakistan* on full pay with effect from 20th March to 3rd April, 2020 to Mrs. Fozia Abid, Deputy Secretary, Finance Division is hereby with drawn/cancelled *ab-initio*.

Islamabad, the 28th April, 2020

No. PF. 4(546)HR-I/2019.—In pursuance of Establishment Division's Notification No. 1-14/2019-E-2, dated 23rd April, 2020, Mr. Muhammad Arif Tahseen, has relinquished the charge of the post of Deputy Secretary, (BS-19), Finance Division, Islamabad on 27th April, 2020.

Islamabad, the 30th April, 2020

No. PF. 4(555)HR-I/2020.—In pursuance of Establishment Division's Notification No. 1-12/2019-E-2, dated 22nd April, 2020, Mr. Riaz Ahmed, has assumed the charge of the post of Deputy Secretary, (BS-19/SG), Finance Division, Islamabad on 23rd April, 2020.

No. PF. 5(750)HR-I/2019.—In pursuance of Establishment Division's notification of even number dated 24th February, 2020, Ms. Zill-e-Humma, Section Officer, Finance Division, Islamabad is granted extension of sixty one (61) days leave on full pay from 1st May to 30th June, 2020, subject to title.

No. PF. 3(262)HR-I/2017.—In pursuance of Establishment Division's Notification No. 39/980/2013-E-1, dated 27th April, 2020, Mr. Muhammad Bilal, has relinquished the charge of the post of Joint Secretary, (BS-20), Finance Division, Islamabad on 27th April, 2020.

ANSAR MAHMOOD,
Section Officer (HR-I).

(Revenue Division)

[FEDERAL BOARD OF REVENUE]

Islamabad, the 18th December, 2020

No. 2743-IR-IV/2020.—The Government of Pakistan announces with deep regret the sad demise of Mr. Masood Ashiq Gillani, Inspector IR (BS-16), Regional Tax Office, Faisalabad on 7th December, 2020.

Mr. Masood Ashiq Gillani was born on 2nd April, 1973. He joined the Federal Board of Revenue on 15th December, 1994. At the time of his death, the officer was posted as Inspector IR (BS-16), Regional Tax Office, Faisalabad.

The Government of Pakistan wishes to place on record appreciation of the dedicated services rendered by the deceased.

In expressing its sense of grief at his death, the Government of Pakistan conveys its commiseration to the members of the bereaved family May his soul rest in eternal peace and may Allah give patience and fortitude to the family members to bear this irreparable loss.

Islamabad, the 21st December, 2020

No. 2766-IR-IV/2020.—The Competent Authority has been pleased to approve the name of Mr. Afzal Rabbani Tiwana,

Inland Revenue Officer (BS-16), Corporate Tax Office, Karachi who has been selected through the Internal Job Posting process for grant of Performance Allowance with effect from 18th December, 2020.

2. The above named officer is entitled to draw performance Allowance subject to the condition that no disciplinary proceedings/inquiry are pending against him.

3. The grant of Performance Allowance will be governed through the terms and conditions laid down *vide* Circular No. 6(96)S(BIC)/2013-14 dated 6th March, 2015.

Islamabad, the 23rd December, 2020

No. 2793-IR-IV/2020.—On attaining the age of superannuation Mr. Muhammad Sohail Siddiqui, Office Superintendent (BS-16), Corporate Tax Office, Karachi shall stand retired from Government Service with effect from 19th March, 2021.

No. 2792-IR-IV/2020.—Mr. Said Karim, (Personnel No. 50026531), Assistant Private Secretary (BS-16), Federal Board of Revenue (HQ), Islamabad is granted 40 days leave on full pay with effect from 28th December, 2020 to 5th February, 2021.

He will be entitled to draw Performance Allowance FBR, if already drawing, during the leave period as per standing instructions on the subject to IJP.

This issues with the approval of Chief (Management-IR), FBR.

No. 2782-IR-IV/2020.—In continuation of Board's Notification No. 2013-IR-IV/2020 dated 25th September, 2020, the Competent Authority hereby extends the suspension of Mr. Muhammad Khalid, Inspector-IR (BS-16), Regional Tax Office-I, Karachi for further period of three months from 23rd December, 2020 to 22nd March, 2021 in terms of Rule 5(1) (i) of the Government Servants (Efficiency & Discipline) Rules, 1973.

Islamabad, the 24th December, 2020

No. 2806-IR-IV/2020.—In supersession of Board's earlier Notification No. 2112-IR-IV/2020 dated 6th October, 2020, after completion of 25 years of qualifying service for pension and in exercise of his option for premature retirement, Mr. Muhammad Younas (Personnel No. 50010045) Superintendent (BS-16), Federal Board of Revenue(HQ), Islamabad (Date of Birth 21st April, 1977) is allowed to proceed on retirement from Government Service with effect from 4th July, 2021.

This issues with approval of the Chief (Management), FBR.

No. 2797-IR-IV/2020.—Mr. Naeem Ahmad, Inland Revenue Officer (BS-16), Regional Tax Office, Faisalabad is transferred and posted at Large Taxpayers Office, Lahore with immediate effect and until further orders.

If the above named officer is drawing Performance Allowance prior to issuance of this notification, he shall continue to draw the same at the new place of posting.

He is requested to Relinquish/Assume Charge, using online HRMS facility.

No. 2796-MIR-IV/2020.—In partial modification of Board's Notification No. 2550-IR-IV/2020 dated 20th November, 2020, designation of Mr. Azeem Ahmad Qureshi mentioned at Sr. No. 15 may be read as "IRO(BS-16)" instead of "Inspector-IR (BS-16)".

Islamabad, the 29th December, 2020

No. 2812-IR-IV/2020.—After completion of 36 years qualifying service for pension and in exercise of his option for voluntary retirement, Mr. Abdul Shakoor Awan, Assistant Private Secretary (BS-16), Corporate Tax Office, Karachi (Date of Birth 26th October, 1965) is allowed to proceed on retirement from Government Service with effect from 23rd April, 2021.

No. 2817-IR-IV/2020.—Mr. Majid Hussain Naqvi, Inspector-IR (BS-16), Corporate Tax Office, Islamabad is transferred and posted at Directorate General of Internal Audit (IR), Islamabad with immediate effect and until further orders.

If the above named Inspector is drawing Performance Allowance prior to issuance of this notification, he shall continue to draw the same at the new place of posting.

He is requested to Relinquish/Assume Charge, using online HRMS facility.

No. 2821-IR-IV/2020.—Mr. Muhammad Afzal Khan, Office Superintendent (BS-16), Corporate Tax Office, Lahore is transferred and posted at Office of the Commissioner IR, Appeals-II, Lahore with immediate effect and until further orders.

If the above named officer is drawing Performance Allowance prior to issuance of this notification, he shall continue to draw the same at the new place of posting.

He is requested to Relinquish/Assume Charge, using online HRMS facility.

Islamabad, the 31st December, 2020

No. 2841-IR-IV/2020.—On attaining the age of superannuation Mr. Muhammad Shafique Shahid, Office Superintendent (BS-16), Regional Tax Office, Faisalabad shall stand retired from Government Service with effect from 14th January, 2021.

No. 2842-IR-IV/2020.—On attaining the age of superannuation Mr. Wakil Ahmed Khan, Office Superintendent (BS-16), Corporate Tax Office, Karachi shall stand retired from Government Service with effect from 3rd February, 2021.

No. 2846-IR-IV/2020.—On attaining the age of superannuation Mr. Nazar Hussain, Office Superintendent (BS-16), Regional Tax Office, Lahore shall stand retired

from Government Service with effect from 17th January, 2021.

No. 2845-IR-IV/2020.—On attaining the age of superannuation Mr. Pervaiz Mehmood Adil, Office Superintendent (BS-16), Benami Zone-I, Islamabad shall stand retired from Government Service with effect from 9th February, 2021.

No. 2848-IR-IV/2020.—After completion of 33 years qualifying service for pension and in exercise of his option for premature retirement, Mr. Mahmood-ul-Haq, Inspector IR (BS-16), Regional Tax Office, Lahore (Date of Birth 5th November, 1966) is allowed to proceed on retirement from Government Service with effect from 29th March, 2021.

No. 2850-IR-IV/2020.—After completion of 34 years qualifying service for pension and in exercise of his option for premature retirement, Syed Zahid Ali, Inland Revenue Officer (BS-16), Regional Tax Office-I, Karachi (Date of Birth 4th July, 1961) is allowed to proceed on retirement from Government Service with effect from 26th April, 2021.

No. 2851-IR-IV/2020.—On attaining the age of superannuation Mr. Imran Khan, Inland Revenue Officer (BS-16), Regional Tax Office, Lahore shall stand retired from Government Service with effect from 2nd March, 2021.

No. 2852-IR-IV/2020.—After completion of 39 years qualifying service for pension and in exercise of his option for premature retirement, Syed Irfan-ul-Haq, Officer Superintendent (BS-16), Regional Tax Office-I, Karachi (Date of Birth 2nd December, 1961) is allowed to proceed on retirement from Government Service with effect from 29th March, 2021.

SARDAR OMER SHARIF,
Section Officer (Admin-I).

(Economic Affairs Division)

Islamabad, the 5th March, 2021

No. 1(5)EA/AI/2021.—In pursuance of Establishment Division's Notification No. F. 1/2/2020/E-5 (PAS), dated 26th February, 2021, Mr. Muhammad Zubair Asghar Qureshi, has assumed the charge of the post of Additional Secretary, (BS-21/PAS), Economic Affairs Division, with effect from 1st March, 2021.

No. 1(24)EA/AI/2018.—Ms. Samar Ihsan, Senior Joint Secretary, UN Wing, is assigned with immediate effect, additional charge of the post of Joint Secretary (DM), Economic Affairs Division for a period of three months (90 days) or till the availability of regular incumbent of the post whichever is earlier. As per rules, she will be entitled to draw "Special Allowance" equal to @ 20% of basic pay subject to a maximum of Rs. 12,000/- p.m. whichever is less.

This issues with the approval of Secretary, Economic Affairs Division.

No. 1(21)EA/AI/2018.—In pursuance of Establishment Division's Notification No. PF. 1406/2017-E-VII, dated 4th February, 2021, Ms. Aaleen Mehboob Section Officer (OMG/BS-17), has relinquished the charge of the post of Section Officer, Economic Affairs Division, with effect from 2nd January, 2021.

SAJID HUSSAIN ABBASI,
Section Officer (Admin-I).

MINISTRY OF FOREIGN AFFAIRS

Islamabad, the 14th December, 2020

No. Estt.(IV)-49/6/2018.—Consequent upon completion of tenure of Major General (Rtd.) Sajid Iqbal, Former Ambassador of Pakistan to Libya, Mr. Fayyaz Ahmed, Third Secretary (BPS-17) assumed the charge as Charge *d' Affaires (a.i.)* in the Embassy of Pakistan, Tripoli on 28th November, 2020.

Islamabad, the 16th December, 2020

No. Estt.(IV)-5/2/2004.—Consequent upon attaining the age of superannuation, Syed Kazim Hussain Shah, Assistant Private Secretary (BS-16) in the Ministry of Foreign Affairs, Islamabad stood retired from the Government Service with effect from December 14, 2020 (A.N).

No. Estt.(IV)-5/30/2008.—Consequent upon his transfer from the Embassy of Pakistan, Berlin to Ministry of Foreign Affairs, Islamabad, Mr. Muhammad Farrukh, relinquished the charge of the post of Assistant Private Secretary (BPS-16) in the Embassy of Pakistan, Berlin on 21st November, 2020 and assumed charge of the post of Assistant Private Secretary (BPS-16) in the Ministry of Foreign Affairs, Islamabad on 30th November, 2020 (FN).

Islamabad, the 18th December, 2020

No. Estt.(IV)-6/15/2010.—Consequent upon his promotion *vide* Ministry's Letter No. Estt(IV)-3/1/2011 dated 19th November, 2020 as Assistant Private Secretary (BPS-16) on officiating/temporary basis, Mr. Saeed Anwar assumed the charge of the post of Assistant Private Secretary (BPS-16) on temporary basis in the Ministry on 15th December, 2020 (F.N).

Islamabad, the 21st December, 2020

No. Estt.(IV)-49/5/2018.—Consequent upon his transfer from the Ministry of Foreign Affairs, Islamabad to the Consulate of Pakistan. Zahidan, Mr. Abdul Jabbar Detho relinquished the charge of the post of Private Secretary (BS-17) in the Ministry in the afternoon of 23rd November, 2020 and assumed the charge of the post of Third Secretary in the Consulate in the forenoon of 9th December, 2020.

No. Estt.(IV)-5/2/2008.—Consequent upon his transfer from Parep Beijing to the Ministry of Foreign Affairs, Islamabad, Mr. Nasir Mehmood, Assistant Private Secretary relinquished the charge of the post of Assistant Private Secretary (BPS-16) at Parep Beijing, in the afternoon of December 6, 2020 and assumed charge of the post of Assistant Private Secretary (BPS-16) in the Ministry in the forenoon of December 14, 2020.

No. Estt.(IV)-5/1/2017.—Consequent upon his transfer from the Ministry of Foreign Affairs, Islamabad to Parep Nur-Sultan, Mr. Muhammad Rovaid relinquished the charge of the post of Assistant Private Secretary (BPS-16) in the Ministry of Foreign Affairs, Islamabad on 28th September, 2020 and assumed charge of the post of Assistant Private Secretary (BPS-16) in the Mission on the forenoon of 15th October, 2020.

Islamabad, the 22nd December, 2020

No. Estt.(IV)-5/6/2004.—Consequent upon attaining the age of superannuation, Mr. Muhammad Shafique, Assistant Private Secretary (BS-16) in the Ministry of Foreign Affairs, Islamabad stood retired from the Government Service with effect from November 30, 2020 (A.N).

MARIAM BUGTI,
Deputy Director (Estt-IV).

Islamabad, the 22nd December, 2020

No. Estt(V)-6/12/2012.—Consequent upon his transfer from High Commission for Pakistan, London, Rao Abdul Hanan, Superintendent was relinquished the charge of the post of Superintendent (BS-17) in the Mission on 12th November, 2020 and assumed the charge of the post of Superintendent (BS-17) on 8th December, 2020 in the Ministry of Foreign Affairs, Islamabad.

Islamabad, the 23rd December, 2020

No. Estt(V)-1/10/99.—In pursuance of Finance Division O.M. No.1(3)R-I/2010/2014 dated 10th September, 2014, and on recommendations of the DPC-I, competent authority *i.e.* Additional Secretary (Admn) has been pleased to approve the upgradation of the following Superintendents from BS-16 to BS-17 on completion of three (03) years satisfactory service as Superintendent BS-16, from the date mentioned against each:-

S. No.	Name	Date of Birth	Place of Posting	w.e.f.
1	Mr. Fakhruddin	31-12-1960	Parep Jakarta	24-07-2020
2	Mr. Muhammad Zahid Gul	21-05-1969	Headquarters	18-10-2020
3	Mr. Muhammad Qasim Faqir	30-09-1970	Headquarters	01-11-2020
4	Mr. Abdul Ghaffar Ansari	06-02-1965	Parep Beijing	12-11-2020

No. Estt(V)-1/10/99.—Consequent upon recommendations of DPC-I, the competent authority *i.e.* Additional Secretary (Admn) has been pleased to approve the promotion of following Assistants as Superintendent (BS-16) from the date mentioned against each until further orders:-

S. No.	Name	Date of Birth	Date of Appointment / Regular Prom.	Place of Posting	Date of Promotion as Regular/ In-absentia Superintendent
1	Mr. Haque Nawaz	05-07-1963	24-10-1996	Parep Beijing	Promoted as Regular Superintendent in absentia with immediate effect

S. No.	Name	Date of Birth	Date of Appointment / Regular Prom.	Place of Posting	Date of Promotion as Regular/ In-absentia Superintendent
2	Mr. Anis Ahmed Pathan	08-07-1969	27-10-1996	Parep Jeddah	Promoted as Regular Superintendent in absentia with immediate effect
3	Mr. Sohail Qadree	14-08-1974	29-10-1996	Parep Ankara	Promoted as Regular Superintendent in absentia with immediate effect
4	Mr. Muhammad Iftikhar	20-09-1971	30-10-1996	Parep Kuwait	Promoted as Regular Superintendent in absentia with immediate effect
5	Mr. Muhammad Asif	14-08-1970	03-11-1996	Parep Jakarta	Promoted as Regular Superintendent in absentia with immediate effect
6	Mr. Sarfaraz Ahmed	20-07-1971	04-11-1996	Camp Office Karachi	Promoted as Regular Superintendent against post to be vacated on 28-12-2020 due to superannuation of Qazi Jamil us Rehman Superintendent
7	Mr. Gulzar Ahmed	01-01-1964	05-11-1996	Parep Bucharest	Promoted as Regular Superintendent against post to be vacated on 30-12-2020 due to superannuation of Mr. Fakhruddin Superintendent

2. The above officials will remain on probations for a period of one year from the date they assume charge of the post of Superintendent, Early assumption of charge, owing to exigencies of service, will not confer right of seniority to any *vis-a-vis* over senior colleagues who may assume charge at a later date.

Islamabad, the 28th December, 2020

No. Estt(V)-6/27/96.—In continuation of Ministry's notification of even number dated 8th April, 2019. The competent authority has been pleased to promote Mr. Sarfaraz Ahmed as Superintendent (BS-16), on Regular basis with effect from 28th December, 2020 in the Ministry of Foreign Affairs, Camp. Office, Karachi.

No. Estt(V)-6/18/96.—Consequent upon his upgradation from Superintendent-BS-16 to Superintendent BS-17, Mr. Abdul Ghaffar Ansari, Superintendent (BS-16) has relinquished charge of the post of Superintendent (BS-16) in the forenoon of 12th November, 2020 and assumed the charge of the post of Superintendent (BS-17) in the forenoon of 12th November, 2020 in the Embassy of Pakistan, Beijing (China).

No. Estt(V)-6/4/96.—Consequent upon his upgradation from Superintendent-BS-16 to Superintendent BS-17, Mr. Muhammad Zahid Gul, Superintendent (BS-16) has relinquished charge of the post of Superintendent (BS-16) in the forenoon of 18th October, 2020 and assumed the charge of the post of Superintendent (BS-17) in the forenoon of 18th October, 2020 in the Ministry of Foreign Affairs, Islamabad.

Islamabad, the 29th December, 2020

No. Estt(V)-6/37/82.—Consequent upon attaining the age of superannuation, Qazi Jamil ur Rehman, relinquished the charge of the post of Superintendent and stood retired from Government Service as Superintendent with effect from the afternoon of 28th December, 2020.

No. Estt(V)-6/15/96.—Consequent upon his upgradation from Superintendent-BS-16 to Superintendent BS-17, Mr. Muhammad Qasim Faqir, Superintendent (BS-16) has relinquished charge of the post of Superintendent (BS-16) in the afternoon of 31st October, 2020 and assumed the charge of the post of Superintendent (BS-17) in the forenoon of 1st November, 2020 in the Ministry of Foreign Affairs, Islamabad.

SAFDAR ALI KHAN,
Deputy Director (Estt-V).

Islamabad, the 11th December, 2020

No. Estt(I)-1/134/2005.—Consequent upon his transfer from Parep Baku to Embassy of Pakistan Brussels, Mr. Naveed Anjum, assumed the charge of the post of Counsellor (BPS-19) in the Embassy of Pakistan, Brussels, on 10th December, 2020.

No. Estt(I)-1/158/2013.—Consequent upon her transfer back to the Headquarters from Parep Washington, Ms. Sidrah Aslam, relinquished the charge of the post of First Secretary (BS-18) in the Embassy of Pakistan, Washington, on 9th December, 2020.

Islamabad, the 15th December, 2020

No. Estt(I)-1/104/2000.—Consequent upon his transfer to Parep Montreal from the Headquarters, Mr. Ishtiaq Ahmed Akil relinquished the charge of the post of Director General (BPS-20) in the Ministry of Foreign Affairs, Islamabad, on 11th December, 2020.

No. Estt(I)-1/104/2000.—Consequent upon his repatriation from National Security Division to Ministry of Foreign Affairs, Islamabad, Mr. Ishtiaq Ahmed Akil assumed the charge of the post of Director General (BPS-20) in the Ministry of Foreign Affairs, Islamabad, on 10th December, 2020.

No. Estt(III)-41/15/2016.—Consequent upon her transfer from Ministry of Foreign Affairs, Islamabad to Embassy of Pakistan, Madrid (Spain), Ms. Aayza Shujaat assumed charge of the post of Second Secretary (BPS-18) at Parep Madrid on 10th December, 2020.

Islamabad, the 16th December, 2020

No. Estt(I)-1/118/2005.—Consequent upon his transfer from Parep Sofia to the Headquarters, Mr. Marwan Alex Ayyash, assumed the charge of the post Director (BPS-19) in the Ministry of Foreign Affairs, Islamabad, on 15th December, 2020.

Islamabad, the 17th December, 2020

No. Estt(III)-41/64/95.—Consequent upon his transfer from National Defence University, Islamabad to Ministry of Foreign Affairs, Islamabad, Mr. Sajjad Ahmad Seehar assumed charge of the post of Director General (BS-20) at Ministry of Foreign Affairs, Islamabad on 30th October, 2020.

No. Estt(III)-41/64/95-A.—Consequent upon his transfer from Ministry of Foreign Affairs, Islamabad to Embassy of Pakistan, Nur Sultan (Kazakhstan), Mr. Sajjad Ahmed Seehar relinquished the charge of the post of Director General (BPS-20) at Ministry of Foreign Affairs, Islamabad on 12th December, 2020.

No. Estt(III)-41/15/2016.—Consequent upon his transfer from Ministry of Foreign Affairs, Islamabad to Embassy of Pakistan, Cairo (Egypt), Mr. Muhammad Yousaf assumed charge of the post of Third Secretary (BPS-17/ Language Trainee) at Parep Cairo on 30th November, 2020.

Islamabad, the 18th December, 2020

No. Estt(III)-49/2/2017.—Consequent upon his transfer from Headquarters, Islamabad to Consulate General of Pakistan, Herat (Afghanistan), Mr. Akram Khan relinquished the charge of the post of Deputy Director (BS-18) in the Ministry of Foreign Affairs, Islamabad on 15th December, 2020.

Islamabad, the 22nd December, 2020

No. Estt(III)-49/11/2016.—Consequent upon his transfer from Consulate of Pakistan, Zahidan to Headquarters, Islamabad, Mr. Muhammad Rafi assumed the charge of the post of Deputy Director (BS-18) at Headquarters, Islamabad on 17th December, 2020.

Islamabad, the 23rd December, 2020

No. Estt(III)-41/20/2016.—Consequent upon his transfer from Ministry of Foreign Affairs, Islamabad to Embassy of Pakistan, Budapest (Hungary), Mr. Hafeez Ullah assumed charge of the post of Second Secretary (BPS-18) at Parep Budapest on 21st December, 2020.

Islamabad, the 24th December, 2020

No. Estt(I)-8/29/95.—Consequent upon presentation of credentials to the Republic of Cabo Verde, Dr. Ali Ahmed Arain, assumed charge as Ambassador (BPS-21) resident in Dakar, with concurrent accreditation to the Republic of Cabo Verde, on 11th November, 2020.

No. Estt(III)-41/4/2007.—Consequent upon his nomination for 28th Mid Career Management Course at NIM Lahore with effect from 19th August, 2019 to 22nd November, 2019, Mr. Amir Saeed relinquished the charge of the post of First Secretary (BS-18) at Embassy of Pakistan, Vienna (Austria) on 13th August, 2019 and on successful completion of the course assumed the charge of the post of First Secretary (BS-18) at Embassy of Pakistan, Vienna (Austria) on 9th December, 2019.

No. Estt(I)-6/18/2006.—Consequent upon her transfer to Parep Manchester from the Headquarters, Ms. Farhat Haider, assumed the charge of the post of Third Secretary (BPS-17) in the Consulate General of Pakistan, Manchester, on 21st December, 2020.

Islamabad, the 29th December, 2020

No. Estt(I)-10/309/2020.—Consequent upon his transfer from the Headquarters to Parep Kathmandu, Mr. Shakeel Ahmed, relinquished the charge of the post of Deputy Director (BPS-18) in the Ministry of Foreign Affairs Islamabad, on 15th December, 2020.

No. Estt(III)-41/16/2016.—In continuation of this Ministry's notification of even number dated 23rd December, 2020, and consequent upon his transfer from Parep Tehran to Headquarters, Mr. Mohsin Saifullah, assumed charge of the post of Deputy Director (BS-18) in the Ministry of Foreign Affairs, Islamabad on 24th December, 2020.

No. Estt(III)-49/9/2020.—Consequent upon his transfer from Office of the Chief Accounts Officer to Ministry of Foreign Affairs, Islamabad on deputation basis with standard terms and conditions under Section 10 of the Civil Servants Act, 1973, Mr. Shahid Nawaz, Senior Auditor (BS-16) assumed the charge of the post of Assistant Director (BPS-17) in Ministry of Foreign Affairs, Islamabad on 28th December, 2020.

No. Estt(II)-23/120/2006.—The competent authority has decided that the Ministry's earlier notification of even number dated December 15, 2020 in respect of Mr. Adeel Ahmad Khan, Counsellor, Parep Kabul stands withdrawn.

Islamabad, the 30th December, 2020

No. Estt(I)-1/108/2002.—Consequent upon his transfer back to the Headquarters from Pahic Canberra, Mr. Aamir Ahmed Atozai, has relinquished the charge of the post of

Counsellor (BS-19) in the High Commission for Pakistan, Canberra, on December 29, 2020.

NAMRA AWAIS,
Assistant Director (Estt-I).

Islamabad, the 14th December, 2020

No. Estt(III)-41/64/95.—Consequent upon his transfer from Ministry of Foreign Affairs, Islamabad to Embassy of Pakistan, Nur Sultan (Kazakhstan), Mr. Sajjad Ahmad Seehar assumed charge of the post of Ambassador (BPS-20) at Parep Nur Sultan on 4th December, 2020.

No. Estt(III)-41/3/2013.—Consequent upon his transfer from Embassy of Pakistan, Beijing (China), Mr. Naveed Shahzad, has relinquished the charge of the post of First Secretary (BPS-18) on 4th December, 2020 (Forenoon).

No. Estt(III)-41/3/2013.—Consequent upon his transfer from Embassy of Pakistan, Brussels (Belgium), Mr. Ali Sattar, has relinquished the charge of the post of First Secretary (BPS-18) on 9th December, 2020.

No. Estt(III)-41/21/2016.—Consequent upon his transfer from Ministry of Foreign Affairs, Islamabad to Embassy of Pakistan, Beijing (China), Mr. Awais Zafar assumed charge of the post of Second Secretary (BPS-18) at Parep Beijing on 4th December, 2020.

No. Estt(III)-41/15/2016.—Consequent upon transfer from Ministry of Foreign Affairs, Islamabad to Embassy of Pakistan, Madrid (Spain) Ms. Aayza Shujaat, relinquished charge of the post of Deputy Director (BPS-18) on 23rd October, 2020.

No. Estt(I)-2/56/2018.—Consequent upon proceeding on German Language Training Course, Mr. Muhammad Saad Butt, assumed the charge of the post of Third Secretary/ Language Trainee (BPS-17) in the Embassy of Pakistan, Berlin, on 24th November, 2020.

Islamabad, the 16th December, 2020

No. Estt(III)-49/11/2015.—Consequent upon his transfer from Consulate General of Pakistan, Zahidan to Headquarters, Islamabad, Mr. Muhammad Rafi relinquished the charge of the post of Second Secretary in the Consulate General of Pakistan, Zahidan on 8th December, 2020.

Islamabad, the 18th December, 2020

No. Estt(III)-41/21/2016.—Consequent upon transfer from Ministry of Foreign Affairs, Islamabad to Embassy of Pakistan, Beijing (China) Mr. Awais Zafar, relinquished charge of the post of Deputy Director (BPS-18) on 23rd October, 2020.

Islamabad, the 21st December, 2020

[OFFICE OF THE CHIEF ACCOUNTS OFFICER]

No. Estt(III)-41/3/2013.—Consequent upon his transfer from Embassy of Pakistan, Bussels (Belgium), Mr. Ali Sattar, has assumed the charge of the post of Deputy Director (BPS-18) in the Ministry of Foreign Affairs, Islamabad on 17th December, 2020.

Islamabad, the 15th December, 2020

No. Admn/138-01/P.F.—After having been approved by the competent authority Mr. Muhammad Irfan Qureshi, Assistant Accounts Officer Office of the Chief Accounts Officer, Ministry of Foreign Affairs, Islamabad has been allowed to avail the Quarantine leave. Details are as under:-

Islamabad, the 23rd December, 2020

No. Estt(III)-41/5/2007.—Consequent upon completion of 30th Mid Career Management Course at Karachi, Mr. Junaid Sadiq, assumed the charge of the post of First Secretary (BS-18) in the Embassy of Pakistan, the Hague on 14th December, 2020.

Quarantine leave for 14-days with effect from 14th December, 2020 to 24th December, 2020

After expiry of above mentioned leave, officer will assume the charge of the same post in this office.

No. Estt(III)-41/16/2016.—Consequent upon his transfer from Parep Tehran to Headquarters, Mr. Mohsin Saifullah, relinquished the charge for the post of Second Secretary (BS-18) in the Embassy of Pakistan, Tehran (Iran) in the forenoon of 4th December, 2020.

(Approval at Para 36/N of page 04/N of P.F.)

No. Estt(III)-41/1/2017.—Consequent upon her transfer from Ministry of Foreign Affairs, Islamabad to Embassy of Pakistan, Baku (Azerbaijan), Mr. Moazzam Ali Sahito assumed charge of the post of Third Secretary (BPS-17) at Parep Baku on 3rd December, 2020.

No. Admn/534-07/P.F.—After having been approved by the competent authority, Ms. Sobia Ishtiaq, Senior Auditor Office of the Chief Accounts Officer, Ministry of Foreign Affairs, Islamabad has been allowed to avail the leave on account of full pay. details as under:-

- i. 5-days L.F.P (on medical grounds) with effect from 1st December, 2020 to 5th December, 2020
- ii. 25-days (leave not due on medical grounds) with effect from 6th December, 2020 to 30th December, 2020.

Islamabad, the 28th December, 2020

No. Estt(I)-1/119/2007.—Consequent upon her transfer from Parep Oslo to Parep Tehran, Ms. Zaib Tayyab Abbasi, assumed the charge of the post of Counsellor (BPS-19) in the Embassy of Pakistan, Tehran, on 5th December, 2020.

2. After expiry of above mentioned leave, officer will assume the charge of the same post in this office.

(Approval at Para 514/N of page 66/N of P.F.)

No. Estt(I)-1/121/2015.—Consequent upon arrival of the Ambassador, Mr. Waqas Ahmed, Second Secretary, relinquished the charge of the post of Charge d' Affaires (a.i.) (BS-18) in the Embassy of Pakistan, Nur-Sultan, on 4th December, 2020.

Islamabad, the 16th December, 2020

No. Admn/95-01/P.F.—Consequent upon expiry of leave for 15 days with effect from 30th November, 2020 to 14th December, 2020 granted *vide* notification of even number dated 7th December, 2020, Mr. Nasir Ali, has assumed charge of the post of Senior Auditor (BPS-16) in office of the Chief Accounts Officer, Ministry of Foreign Affairs Islamabad on 15th December, 2020.

Islamabad, the 31st December, 2020

No. Estt(III)-41/64/95.—In supersession of this Ministry's earlier notification of even number dated 17th December, 2020 and consequent upon his transfer from Ministry of Foreign Affairs, Islamabad to Embassy of Pakistan, Nur Sultan (Kazakhstan), Mr. Sajjad Ahmad Seehar relinquished the charge of the post of Director General (BS-20) at Ministry of Foreign Affairs, Islamabad on 2nd December, 2020.

Islamabad, the 22nd December, 2020

No. Admn/721-19/P.F.—Consequent upon expiry of leave for 54-days with effect from 26th October, 2020 to 18th December, 2020 granted *vide* notification of even number dated 12th October, 2020, Ms. Attia Rehman, has assumed charge of the post of Senior Auditor (BPS-16) in office of the Chief Accounts Officer, Ministry of Foreign Affairs Islamabad on 21st December, 2020 (19th & 20th December, 2020 being closed holidays).

No. Estt(I)-6/177/2018.—Consequent upon his transfer to Parep Ankara from the Headquarters, Mr. Faraz Arshad, relinquished the charge of the post of Assistant Chief of Protocol (BS-17) in the Ministry of Foreign Affairs, Islamabad, on 30th December, 2020.

No. Admn/684-19/P.F.—Consequent upon expiry of leave for 68-days with effect from 12th October, 2020 to 18th December, 2020 granted *vide* notification of even number dated 6th October, 2020 & 9th December, 2020, Mr. Muhammad Mudassar, has assumed charge of the

SYEDA NAILA BATOOL,
Assistant Director (Estt-I).

post of Senior Auditor (BPS-16) in office of the Chief Accounts Officer, Ministry of Foreign Affairs Islamabad on 21st December, 2020 (19th & 20th December, 2020 being closed holidays).

Islamabad, the 24th December, 2020

No. Admn/578-09/P.F.—In pursuance of Ministry of Foreign Affairs' Letter No.Esstt(III)/49/9/2020 dated 17th December, 2020 and having been approved by the competent authority, Mr. Shahid Nawaz, has relinquished charge of the post of Senior Auditor (BPS-16) in office of the Chief Accounts Officer, Ministry of Foreign Affairs Islamabad on 24th December, 2020 for his posting as Assistant Director (BPS-17) in Ministry of Foreign Affairs, Islamabad on temporary transfer basis.

Islamabad, the 29th December, 2020

No. Admn/68-01/P.F/Vol-II.—Consequent upon expiry of leave for 60-days with effect from 26th October, 2020 to 24th December, 2020 granted *vide* notification of even number dated 29th October, 2020, Mr. Liaquat Ali, has assumed charge of the post of Senior Auditor (BPS-16) in office of the Chief Accounts Officer, Ministry of Foreign Affairs Islamabad on 28th December, 2020 (25th, 26th & 27th December, 2020 being closed holidays).

No. Admn/527-07/P.F.—Consequent upon promotion to the cadre of Assistant Accounts Officer (BPS-17) *vide* Notification No.Admn/Promotion/2017-18 dated 28th December, 2020 and having been approved by the competent authority, Syed Ali Hasnain Haider has relinquished the charge of the post of Senior Auditor (BPS-16) and assumed the charge of the post of Assistant Accounts Officer (BPS-17) in Office of the Chief Accounts Officer, Ministry of Foreign Affairs, Islamabad with effect from 17th June, 2020.

AMMARA HASSAN,
Assistant Chief Accounts
Officer (Admn).

Islamabad, the 11th December, 2020

No. Admn/722-19/P.F.—Consequent upon expiry of leave for 16 days with effect from 19th November, 2020 to 4th December, 2020 granted *vide* notification of even number dated 19th November, 2020, Ms. Ayesha Najam, has assumed charge of the post of Senior Auditor (BPS-16) in office of the Chief Accounts Officer, Ministry of Foreign Affairs Islamabad on 7th December, 2020 (5th & 6th December, 2020 being closed holidays).

No. Admn/708-19/P.F.—Consequent upon expiry of leave for 16 days with effect from 23rd November, 2020 to 8th December, 2020 granted *vide* notification of even number dated 23rd November, 2020, Ms. Rahat Munawar, has assumed charge of the post of Senior Auditor (BPS-16) in office of the Chief Accounts Officer, Ministry of Foreign Affairs Islamabad on 9th December, 2020.

No. Admn/526-07/P.F.—In pursuance of Controller General of Accounts Letter No.928/CGA/Estt-II/Dep-6/2017 dated 2nd December, 2020 and having been approved by the competent authority, Mr. Fateh Sher Jogi, has relinquished charge of the post of Senior Auditor (BPS-16) in office of the Chief Accounts Officer, Ministry of Foreign Affairs Islamabad on 11th December, 2020 for his posting as Accountant (BPS-16) in National Highways & Motorways Police, Islamabad on deputation basis.

Islamabad, the 17th December, 2020

No. Admn/480-06/P.F.—After having been approved by the competent authority leave in respect of Mr. Hafeez ur Rehman, Senior Auditor (BPS-16) of the Office of the Chief Accounts Officer, Ministry of Foreign Affairs, Islamabad has been allowed /extended on account of full pay (on medical grounds). Details as under:-

LFP for 21-days (on medical grounds) with effect from 15th December, 2020 to 4th January, 2021.

After expiry of above mentioned leave, officer will assume the charge of the same post in this office.

(Approval of para 205/N of page 28/N of file).

Islamabad, the 18th December, 2020

No. Admn/139-01/P.F.—After having been approved by the competent authority Mr. Waqas Ahmed Khan, Assistant Accounts Officer office of the Chief Accounts Officer, Ministry of Foreign Affairs, Islamabad has been allowed extension in Quarantine leave. Details as under:-

Quarantine leave for 14-days with effect from 11th December, 2020 to 24th December, 2020.

After expiry of above mentioned leave, officer will assumed the charge of the same post in this office.

(Approval at Para 182/N of page 21/N of P.F).

AMBER HAYAT,
Assistant Chief Accounts
Officer (Admn).

MINISTRY OF HOUSING & WORKS

Islamabad, the 9th March, 2021

No. 8(38)/2018-Admn-I.—In pursuance of charge relinquishment of Mr. Waseem Hayat Bajwa, Director General, Federal Government Employees Housing Authority (FGEHA) on 9th March, 2021, Mr. Tariq Rashid (BS-21/SG), Managing Director, PHA-Foundation, Islamabad is hereby assigned to look after the charge of Director General, FGEHA in addition to his own duties, with immediate effect and until further orders.

SHAHBAZ MUSTAFA,
Deputy Secretary (Admn).

Islamabad, the 8th March, 2021

No. F.2(35)/2018-Admn-I.—In pursuance of Establishment Division's Notification No.F.39/1104/2020-E-I dated 26th February, 2021, Mr. Muhammad Irfan Khan (BS-19, Sectt. Group) on his promotion has relinquished the charge of the post of Director (BS-19) in PHA Foundation on 26th February, 2021 and has assumed the charge of the post of Director General (BS-20) PHA Foundation on 26th February, 2021 on deputation basis on standard terms and conditions, until further orders.

Islamabad, the 9th March, 2021

No. F.4(1)/2016-Admn-I.—Consequent upon the recommendations of Departmental Promotion Committee (DPC) and with the approval of Additional Secretary (H&W), the following Steno-typists (BS-14), M/o. Housing & Works are hereby promoted to the post of Assistant Private Secretary (BS-16) with effect from the dates mentioned against each:-

S. No.	Name of Official	Promoted as APS (BS-16) w.e.f.	Remarks
1.	Mr. Taj Muhammad	With immediate effect	—
2.	Mr. Salman Khan	08.04.2021	He is allowed to actualize his promotion as APS (BS-16) at his present place of posting i.e. PHA Foundation with effect from 08.04.2021 on standard terms and conditions.
3.	Mr. Waseem Abbas	09.04.2021	He is allowed to actualize his promotion as APS (BS-16) at his present place of posting i.e. PHA Foundation with effect from 09.04.2021 on standard terms and conditions.

Islamabad, the 10th March, 2021

No. F.5(12)/2005-Admn-I (Vol-VIII).—In Pursuance of Cabinet Division's Memorandum No.4-1/2021-Min-I dated 25th February, 2021, National Housing Authority is declared

as Policy and Planning Wing of Ministry of Housing & Works.

This issue with the approval of Secretary (H&W).

MUHAMMAD KAMRAN,
Section Officer (Admn-I).

Islamabad, the 10th March, 2021

No. F.15(20)/97-EO.—With the approval of Competent Authority, the power of Drawing and Disbursing Officer, Estate Office, Peshawar is entrusted to Mr. Muhammad Adnan Anwar, Assistant Director, Estate Office, Peshawar with immediate effect.

Moreover, the power of DDO assigned to Mr. Hafeez-Ur-Rehman, Superintendent, Estate Office, Peshawar is hereby discontinued with immediate effect.

MUHAMMAD ASGHAR GONDAL,
Section officer (EO).

MINISTRY OF HUMAN RIGHTS

Islamabad, the 8th March, 2021

No. F.1-140/2020-Admn.—In pursuance of Establishment Division's Notification No.39/1107/2021 E-I, dated 1st March 2021 Mr. Waqar Hussain Abbasi, Deputy Secretary (BS-19), officer of Secretariat Group has relinquished the charge of the post of Deputy Secretary (BS-19), Ministry of Human Rights, Islamabad on 8th February, 2021.

WAHEED ULLAH KHAN,
Deputy Secretary (Admin).

Islamabad, the 9th March, 2021

No. F.1-142/2021-Admn.—Consequent upon his promotion *vide* this Ministry's Notification No. 1-55/2012-Admin, dated 3rd March, 2021, Mr. Abdul Sattar, has relinquished the charge of the post of Director (BS-19) and assumed the Charge of the post of Director General (BS-20) in the Ministry of Human Rights, Islamabad on 3rd March, 2021.

MARYAM ASLAM,
Section Officer (Admin).

MINISTRY OF INFORMATION BROADCASTING
NATIONAL HERITAGE

(National Heritage & Culture Division)

Islamabad, the 9th March, 2021

No. F.1-(4)/2011-Admn.—Mr. Asif Khan, Section Officer, (BS-17/OMG), Admin Section, NH&C Division is granted additional charge of the post of Section Officer, H-II Section with effect from 2nd February, 2021 for a period of three months or till arrival of a regular incumbent whichever is earlier. He will be entitled benefit as admissible under the rules.

This issues with the approval of the PAO/Secretary, National Heritage & Culture Division.

NAZIR AHMAD,
Deputy Secretary (Admn).

MINISTRY OF INFORMATION TECHNOLOGY AND
TELECOMMUNICATION

Islamabad, the 9th March, 2021

No. F.1-183/2015-Admn.—Consequent upon the approval of Secretary, IT and Telecom, Mr. Muhammad Jamil, Drawing & Disbursing Officer (BS-18) has been assigned additional charge of the post of Section Officer (F&A), Ministry of Information Technology and Telecommunication with effect from 19th February, 2021 for a period of three (03) months or till arrival of regular incumbent whichever is earlier.

NASEEM AHMED KHAN,
Deputy Secretary.

MINISTRY OF INTER PROVINCIAL COORDINATION

Islamabad, the 9th March, 2021

No. F.2(10)/2010-Admn-I.—With the approval of competent authority *i.e.* Secretary, Ministry of IPC, Mr. Hafeezullah Abbasi, Director (PDM-II) (BS-19), is allowed to hold Additional Charge of the post of Director (PDM-I) in addition to his own duties with immediate effect for a period of three months (90-days) or till the availability of a regular incumbent, whichever is earlier for which he would be entitled to additional remuneration as admissible under rule.

FARHAN AKHTAR,
Section Officer (Admn-I)

MINISTRY OF KASHMIR AFFAIRS AND GILGIT
BALTISTAN

Islamabad, the 9th March, 2021

No. 6(3)/Admn/2019.—The undersigned is directed to state that the services of Mr. Muhammad Azim Khan, a BS-20 officer of Police Service of Pakistan, presently posted as Joint Secretary, KA&GB, are no more required by this Division. His services are hereby repatriated to Establishment Division with immediate effect.

He is also relieved of his duties in this Division with immediate effect.

This issues with the approval of Secretary, Kashmir Affairs and Gilgit-Baltistan Division.

HAMID MAHMOOD RANA,
Deputy Secretary (Admn)

MINISTRY OF LAW AND JUSTICE

Islamabad, the 10th March, 2021

No. F.11(3)/2002-A-II(Vol-I).—With the approval of Competent Authority, the additional charge of the Vacant post of Chairman, Commercial Court, Lahore is entrusted to Malik Munir Ahmed Joyia, Presiding Officer (Offences in Banks-II), Lahore along with DDO Powers. in addition to his own duties, for a period of three months with effect from the date of assumption of charge or until further orders, whichever is earlier, along with Additional Charge allowance as admissible under the Rules.

No. F.9(3)/2005-A-III(Pt).—The competent authority has been Pleased to entrust the additional charge of the vacant post of Chairman, Durg Court Quetta, Balochistan to Mr. Munir Ahmed Marri, Judge, Banking Court Quetta along with DDO powers in addition to his own duties, for a Period of three months with effect from date of assumption of charge of the post or till the appointment of regular incumbent, whichever is earlier, along with Additional Charge allowance as admissible under the Rules.

No. F.14(1)/2004-A-III.—The Competent Authority has been Pleased to entrust the additional charge of the vacant post of Presiding Officer, Foreign Exchange Regulation Appellate Borad (FERAB), Lahore to Mr. Zia-ul-Qamar, Judge, Banking Court-V, Lahore in addition to his own duties along with DDO power of Foreign Exchange Regulation Appellate Board (FERAB), Lahore with effect from the date of assumption of charge for a period of three months or until further order, whichever is earlier.

MUHAMMAD RAZAULLAH LAKHO,
Section Officer (A-III).

Islamabad, the 9th March, 2021

No. 25(4)/2015-A.VI.—Consequent upon repatriation of Mr. Abdul Sattar, Assistant Private Secretary (BPS-16) from National Counter Terrorism Authority (NACTA), Islamabad *vide* Notification No.F.158/HR-II/NACTA/2016(0207) dated 1st March, 2021 is allowed to resume his duties in the Ministry of Law and Justice with effect from 1st March, 2021.

This issues with the Approval of joint Secretary (Admn), Ministry of Law and Justice.

ARSHAD ALI SIDDIQUI,
Section Officer.

Islamabad, the 9th March, 2021

CORRIGENDUM

No. F.4(99)/2019-LR.—In this Division's Notification No. 4(99)/2019-LR dated 22nd February, 2021, the designation of Ms. Humaira Masihuddin is corrected and may be read as Advocate High Court instead of Advocate Supreme Court.

MUHAMMAD ABBAS,
Section Officer.

MINISTRY OF NATIONAL FOOD SECURITY AND
RESEARCH

Islamabad, the 8th March, 2021

No. F.2-2/2019-Admn-I.—In Pursuance of Establishment Division's Notification No.F.1-32/2013-E-2 dated 7th February, 2021 Mr. Saifullah Janbaz, a BS-19 officer of Secretariat Group, has relinquised charge of the post of Deputy Secretary (BS-19) in the National Food Security and Resarch Division with effect from 22nd February, 2021.

Islamabad, the 10th March, 2021

No. F.2-1/2021-Admn-I.—In Pursuance of Establishment Division's Notification No.PF.1/14/2017-E-2 dated 17th February, 2021 Mr. Tariq Aleem Gill, Deputy Secretary (BS-19) has assumed the charge of the post of Deputy Secretary (BS-19) in the National Food Security and Resarch Division with effect from 24th February, 2021.

DR. AKHTAR ALI HAKRO,
Section Officer(Admn-I).

MINISTRY OF NATIONAL HEALTH SERVICES,
REGULATIONS & COORDINATION

Islamabad, the 9th March, 2021

No. F.1-347/2013-Estab-III.—On Attaining the age of superannuation, Dr. Nadeem Akhter, Professor of Paeds Surgery (BS-20), Pakistan Institute of Medical Sciences, Islamabad, shall retire from the Government Service on 29th May, 2022.

ZAFAR IQBAL,
Deputy Secretary (Tech-I).

Islamabad, the 10th March, 2021

No. PF. 11(62)NN/2019-Admn-I.—Mr. Naseer Nazar, Assistant Director (BS-17) (Non-Medical), has relinquished the charge of the post of Assistant Director (BS-17) (Non-Medical), Ministry of National Health Services, Regulations and Coordination with effect from 15th January, 2021 upon his retirement on attaining the age of supernnuation.

FARHAN SIKANDAR,
Section Officer (Admn-I).

Islamabad, the 10th March, 2021

No. 2-22/2015-(Admn-IV).—In Puruance of this Ministry's notification of even number dated 8th February, 2021 Dr. Shaista Habibullah Director (Technical) (BS-19) National Institute of Rehabilitation Medicine Islamabad, has assumed the charge of the post of Director (BS-19), Directorate of Central Health Establishment, Islamabad on 15th February, 2021.

SHOAIB HASAN,
Section Officer (Admn-IV).

Islamabad, the 8th March, 2021

No. PF. 1-17/2013-E-II-NIRM.—The competent authority has accepted resignation in respect of Dr. Ghulam Murtaza Bodla, Psychologist (BS-18), National Institute of Rehabilitation Medicine, (NIRM) Islamabad with immediate effect the period from 8th June, 2020 to date will be considered as EOL.

Islamabad, the 10th March, 2021

No. F.1-12/2011-NIRM-(T-IV).—In Puruance of this Ministry's Notification No F.2-17/2015-H-II(TBC) dated 12th February, 2021 Dr.Noor Zaman Medical officer (BS-17) has assumed the charge of the same post (BS-17) in National Institute of Rehabilitation Medicine (NIRM), Islamabad with effect from 11th February, 2021.

IMRAN ALI,
Section Officer (T-IV).

[DRUG REGULATORY AUTHORITY OF PAKISTAN]

Islamabad, the 8th March, 2021

No. PF. 110-HB/ADMN-I.—Mst. Hira Bhutto, Assistant Director / Federal Inspector of Drugs-III (RO-12), Drug Regulatory Authority of Pakistan, Karachi has been granted Eight (8) days leave with full pay with effect from 10th February, 2021 to 17th February, 2021.

After availing the said leave, the officer concerned has resumed her duty on 18th February, 2021 on the same post and at the same station.

This issues with the approval of competent authority.

Islamabad, the 9th March, 2021

No. PF.134-IS/ADMN-I.—In pursuance of Drug Regulatory Authority of Pakistan's notification of even number dated 17th February, 2021 Mr. Ishtaiq Shafiq, Assistant Director (RO-12), (QA<) Division, Drug Regulatory Authority of Pakistan, Islamabad was granted 15 days Rest & Recreation leave in lieu of 10 days leave with full pay with permission to leave the station.

After availing 15 days Rest & Recreation leave with effect from 19th February, 2021 to 5th March, 2021 the officer has assumed the charge on the same post and at the same station on 8th March 2021 (Being holidays on 6th March, 2021 and 7th March, 2021).

Islamabad, the 10th March, 2021

No. PF. 1702-AH/ADMN-I.—In pursuance of Drug Regulatory Authority of Pakistan's notification of even number dated 18th February, 2021 Mr. Abdullah Deputy Director (RO-13) holding the current charge of the post of Additional Director Pharmaceutical Evaluation & Registration Division, Drug Regulatory Authority of Pakistan, Islamabad was granted 12 days leave with full pay with permission to leave the Station.

After availing 12 days leave with full pay with effect from 22nd February, 21 to 5th March, 2021 the officer concerned has assumed his duties with effect from

8th March, 2021 on the same post and at the same station (Being public holidays on 6th March, 2021 & 7th March, 2021).

The Charge of the post of Additional Director, PE & R Division, DRAP assigned to the Ch. Zeeshan Nazir Bajar, Biological Drugs Division is Ceased With effect from 8th March, 2021.

ASMAT ULLAH,
Assistant Director (Admin-I).

MINISTRY OF OVERSEAS PAKISTANIS AND HUMAN
RESOURCE DEVELOPMENT

Islamabad, the 10th March, 2021

No. PF.4(1)/2018-Admn-I.—In Pursuance of Establishment Division's Notification No F.I-46/2013-E-2, date 5th March, 2021 Mr. Muhammad Zahid Mustafa, Deputy Secretary (BS-19) has relinquished the Charge of the post of Deputy Secretary (BS-19), Ministry of Overseas Pakistanis and Human Resource Development on 10th March, 2021.

No. F.4(1)/2018-Admn-I.—With the approval of Secretary, M/o. OP&HRD, Mr. Tanveer Anwar, Deputy Chief (BS-19), has been given additional charge of the post of Deputy Secretary (Complaint) in this Ministry, in addition to his own duties with effect from 10th March, 2021 for a period not exceeding 90 days or till posting of a regular incumbent, whichever is earlier.

He is entitled to Special Pay @ 10% of his basic pay subject to maximum of Rs. 12000/- P.M. in terms of existing rule on th subject.

RAJA SHAHROZE ABBAS
Section Officer (Admn-I).

MINISTRY OF PLANNING, DEVELOPMENT &
SPECIAL INITIATIVES

[PLANNING COMMISSION]

Islamabad the 8th March, 2021

No. 15(2)Imp-I/PD&SI/2020.—With the approval of Secretary, Ministry of Planning, Development and Special Initiatives, Mr. Manzoor Ali, Superintendent, B&A, Section. M/o. PD&SI, has been allowed to hold additional charge of vacant post of "Accounts Officer)/DDO" in the project titled "Institutional Strengthening & Efficiency Enhancement (IS&EE)" with immediate effect, for a period of Ninety (90) days, or till posting original appointee, whichever is earlier.

SEHAR MANNOO,
Section Officer (Imp-I).

Islamabad the 9th March, 2021

No. 1(79)HRM-III/PD&SI/2021.—Mr. Sabir Rashid, Superintendent, B&A Section, Ministry of Planning, Development and Special Initiatives is allowed to hold current charge of the vacant post of Section Officer (Pension), Ministry of Planning, Development and Special Initiatives in addition to his own duties with immediate effect for a period of 90 days or till joining of regular incumbent, whichever is earlier.

This issues with the approval of Secretary, Ministry of Planning, Development & Special Initiatives.

AMBREEN MAZHAR,
Section Officer.

Islamabad the 8th March, 2021

No. 48(36)/F.A.O/IEP/EF&E/PC/2021.—Consequent upon their acceptance of Terms & Conditions Conveyed *vide* offer letter, dated 16th February, 2021 Mr. Rizwan Sukhera, has been appointed against the post of Finance/Administration officer (PPS-07), on contract basis in the project titled, "Integrated Energy Planning for Sustainable Development" M/o. PD&SI. His appointment is initially for a period of one-year with effect from 1st March, 2021 unless otherwise terminated earlier under clause (xiii) of the offer letter.

He will draw salary package as per Finance Division (Regulation Wing's) O.M No. F. 4(9)R-14/2008, dated 19th July, 2017 with 5% annual increment and Subsequent admissible increments approved by the Government from time to time, if any, out of provision of PSDP funded project titled "Integrated Energy Planning for Sustainable Development" M/o PD&SI.

This issues with approval of the competent authority, M/o. PD&SI.

No. 48(28)/F.S/IEP/EF&E/PC/2021.—Consequent upon their acceptance of Terms & Conditions Conveyed *vide* offer letter, dated 16th February, 2021 Mr. Muhammad Saad Moeen has been appointed against the post of Forecasting Specialist (PPS-10), on contract basis in the project titled, "Integrated Energy Planning for Sustainable Development" M/o. PD&SI. His appointment is initially for a period of one-year with effect from 2nd March, 2021 unless otherwise terminated earlier under clause (xiii) of the offer letter.

He will draw salary package as per Finance Division (Regulation Wing's) O.M No. F. 4(9)R-14/2008, dated 19th July, 2017 with 5% annual increment and Subsequent

admissible increments approved by the Government from time to time, if any, out of provision of PSDP funded project titled "Integrated Energy Planning for Sustainable Development" M/o. PD&SI.

This issues with approval of the competent authority, M/o. PD&SI.

INAYAT ULLAH QURESHI,
Project Director.

MINISTRY OF RAILWAYS

[RAILWAY BOARD]

Islamabad, the 10th March, 2021

No. Admn-IV/1865-P.—The following postings/ transfers are ordered with immediate effect and until further orders:-

- i. Mr. Waqar Ahmed, a BS-18 Officer of Stores & Purchase Department of Pakistan Railways, presently posted as Deputy Director/ Studies under Project Director/ Strengthening of Planning Directorate, Ministry of Railways, Islamabad is transferred and posted as Deputy Director /Admn-IV, Ministry of Railways, Islamabad *vice* item (ii) below.
- ii. Mr. Faheem Ahmed Malik, a BS-17 Officer on deputation with Ministry of Railways and posted as Assistant Director/ Admn-IV, Ministry of Railways is transferred and posted as Assistant Director/ E-II, Ministry of Railways, Islamabad.

2. This issues with the approval of the competent authority.

JUNAID SALEEM MALIK,
Deputy Director /Admn-II.

Islamabad, the 9th March, 2021

No. Admn-IV/1958-P.—In pursuance of Admn-I, Ministry of Railways Notification No.6/2-2/2021-A-I dated 4th March, 2021, Mr. Furqan Muhammad Khan, a BS-17 Officer of Mechanical Engineering Department of Pakistan

Railways has reported for duty on 5th March, 2021 and posted as Assistant Director (Mechanical) (BS-17), Ministry of Railways, Islamabad with effect from 5th March, 2021.

FAHEEM AHMED MALIK,
Assistant Director /Admn-IV.

MINISTRY OF STATES & FRONTIER REGIONS

Islamabad, the 8th March, 2021

No. F.12(3)/Admn/2020.—Mr. Shoaib Raza Gopang, Section Officer (BS-17), Ministry of SAFRON has been granted 37-days LFP with effect from 15th March, 2021 to 20th April, 2021 with permission to leave the station.

This issues with approval of the Joint Secretary (Admn).

MARIA GUL,
Section Officer (Admn).

NATIONAL ASSEMBLY SECRETARIAT

Islamabad, the 24th May, 2021

No. G(615)/Estt.I(96).—In pursuance of Ministry of Information and Broadcasting Notification's No.2(2)/2021-IG, dated 30th April and 6th May, 2021 regarding promotion of Mr. Amanat Ali, Deputy Director (BS-18) to the post of BS-19, the officer has actualized his promotion and has assumed charge of the post of Director (Coord) (Kashmir Committee) (BS-19) in this Secretariat with effect from 30th April, 2021.

This issues with approval of the competent authority *i.e.* Honourable Speaker.

No. 19(6)/2019-E-I(95).—The competent authority has been pleased to terminate the probation period of Mr. Tahir Qadeem, Deputy Director (Media) (BS-18) under Section 8(4) of the National Assembly Secretariat Employees Act, 2018 with effect from 20th May, 2021.

SHEHRYAR KHAN,
Section Officer.

SUPREME COURT OF PAKISTAN

Islamabad, the 20th May, 2021

No. F.24/523/96-SCA.—In continuation of this Court's notification of even number dated 9th April, 2021, Mr. Zubair Ahmed, Senior Private Secretary (BS-19) of this Court is granted fifteen (15) days' more LFP with effect from 14th May, 2021 to 28th May, 2021 (both days inclusive), on medical grounds, subject to verification of title of his leave account by the AGPR, Islamabad.

No. F.24/793/2011-SCA.—Mr. Irfan Ullah, Assistant Librarian (BPS-18) of this Court is granted twenty-nine (29) days' leave on full pay with effect from 18th April, 2021 to 16th May, 2021, on medical grounds, subject to verification of title of his leave account by the AGPR, Islamabad.

No. F.24/807/2013-SCA.—Mr. Muhammad Fahad, Khateeb (BS-16) of this Court is granted twenty-five (25) days' LFP with effect from 13th April, 2021 to 7th May, 2021 (both days inclusive), on medical grounds, subject to verification of title of his leave account by the AGPR, Islamabad.

Islamabad, the 24th May, 2021

No. F.24/874/2017-SCA.—Mr. Sarfraz Ahmed Sirohey, Accounts Officer (BPS-18) of this Court is granted thirteen (13) days' LFP with effect from 26th April, 2021 to 8th May, 2021 (both days inclusive), on medical grounds, subject to verification of title of his leave account by the AGPR, Islamabad.

PERVAIZ IQBAL,
Assistant Registrar (Admn).

FEDERAL SHARIAT COURT OF PAKISTAN

Islamabad, the 19th May, 2021

No. F.9(4)/2004-Admn-FSC.—In exercise of the powers conferred under Rule-63 of Chapter-IX of the Federal Shariat Court (Procedure) Rules, 1981, the Hon'ble Chief Justice, Federal Shariat Court of Pakistan has been pleased to fix Monday, 14th June, 2021 as the date from which the Summer Vacation of this Court shall commence. the Court shall re-open on Monday, 13th September, 2021.

GHULAM RASOOL,
Deputy Registrar (Admn).



PUBLISHED BY AUTHORITY

KARACHI, WEDNESDAY, JULY 14, 2021

PART II

Notifications issued by Ministry of Defence and Ministry of Defence Production

Karachi, the 14th July, 2021

MINISTRY OF DEFENCE

(Defence Division)

No. 425/2021 :

Following 81 Officers have been promoted to the substantive / substantive temporary rank of Major, with effect from date as shown against their names :-

S. No.	PA/PSS No. Rank Name	DOP
1.	PA-105952 Capt. Kashif Ali Sarwar, AMC	19th April, 2021
2.	PA-105953 Capt. Atiya Iqbal, AMC	19th April, 2021
3.	PA-105954 Capt. Namra Nazir, AMC	19th April, 2021
4.	PA-105955 Capt. Simra Tanveer, , AMC	19th April, 2021
5.	PA-105956 Capt. Umer Naseer, AMC	19th April, 2021
6.	PA-105958 Capt. Taimoor Saleem, AMC	19th April, 2021
7.	PA-105959 Capt. Muhammad Usman Ghani. , AMC	19th April, 2021
8.	PA-105960 Capt. Ahmed Hassaan Malik, AMC	19th April, 2021
9.	PA-105961 Capt. Ali Abbas Janjua, AMC	19th April, 2021
10.	PA-105962 Capt. Muhammad Arslan Zafar, AMC	19th April, 2021
11.	PA-105963 Capt. Asif Younas, AMC	19th April, 2021
12.	PA-105964 Capt. Amir Jamshed, AMC	19th April, 2021

S. No.	PA/PSS No. Rank Name	DOP
13.	PA-105965 Capt. Abdul Aleem Tariq Hassan Raza, AMC	19th April, 2021
14.	PA-105966 Capt. Hassan Raza, AMC	19th April, 2021
15.	PA-105967 Capt. Ali Zainul Abiden, AMC	19th April, 2021
16.	PA-105968 Capt. Shehryar Shah Roghani, AMC	19th April, 2021
17.	PA-105969 Capt. Bassam Khalid, AMC	19th April, 2021
18.	PA-105970 Capt. Muhammad Waqas Ahmed Bhatti, AMC	19th April, 2021
19.	PA-105971 Capt. Muhammad Shahbaz Nazir, AMC	19th April, 2021
20.	PA-105972 Capt. Muhammad Sarfraz, AMC	19th April, 2021
21.	PA-105973 Capt. Faisal Shabbir Sheikh, AMC	19th April, 2021
22.	PA-105974 Capt. Rohan Qamar, AMC	19th April, 2021
23.	PA-105975 Capt. Muhammad Ammar Khan, AMC	19th April, 2021
24.	PA-105976 Capt. Syed Hassan Nawaz, AMC	19th April, 2021
25.	PA-105978 Capt. Faheem, AMC	19th April, 2021
26.	PA-105979 Capt. Muhammad Abdullah, AMC	19th April, 2021
27.	PA-105981 Capt. Ahmed Naveed Malik	19th April, 2021
28.	PA-105982 Capt. Zahoor Hussain, AMC	19th April, 2021
29.	PA-105983 Capt. Ibrahim Tufail Chaudhry, AMC	19th April, 2021
30.	PA-105984 Capt. Muhammad Waleed Ahmed, AMC	19th April, 2021
31.	PA-105985 Capt. Muhammad Waqas Alam Khan, AMC	19th April, 2021
32.	PA-105986 Capt. Bilal Ayaz, AMC	19th April, 2021
33.	PA-105987 Capt. Hammad Hussain, AMC	19th April, 2021
34.	PA-105988 Capt. Muhammad Mohsin Fayyaz Ch, AMC	19th April, 2021
35.	PA-105989 Capt. Rana Muhammad Ahmed, AMC	19th April, 2021
36.	PA-105990 Capt. Muhammad Mazhar Ul Haq, AMC	19th April, 2021

S. No.	PA/PSS No. Rank Name	DOP
37.	PA-105991 Capt. Khizar, AMC	19th April, 2021
38.	PA-105992 Capt. Rashid Iqbal Khan, AMC	19th April, 2021
39.	PA-105993 Capt. Muhammad Adnan, AMC	19th April, 2021
40.	PA-105996 Capt. Salman Awan, AMC	19th April, 2021
41.	PA-105998 Capt. Muhammad Hassan Rehman, AMC	19th April, 2021
42.	PA-105999 Capt. Imran Irshad, AMC	19th April, 2021
43.	PA-106001 Capt. Muhammad Aftab Hassan, AMC	19th April, 2021
44.	PA-106002 Capt. Muhammad Shais Talat, AMC	19th April, 2021
45.	PA-106005 Capt. Muhammad Raza, AMC	19th April, 2021
46.	PA-106006 Capt. Ali Hassan, AMC	19th April, 2021
47.	PA-106007 Capt. Muhammad Zaheer Ud Din, AMC	19th April, 2021
48.	PA-106009 Capt. Najaf Imtiaz Cheema, AMC	19th April, 2021
49.	PA-106010 Capt. Syed Talha Hassan Gilani, AMC	19th April, 2021
50.	PA-106012 Capt. Sultan Ahmed Minhas, AMC	19th April, 2021
51.	PA-106013 Capt. Ali Chand, AMC	19th April, 2021
52.	PA-106014 Capt. Muhammad Sajid Khan, AMC	19th April, 2021
53.	PA-106015 Capt. Muhammad Tayyab Malik, AMC	19th April, 2021
54.	PA-106017 Capt. Salim Rashid, AMC	19th April, 2021
55.	PA-106018 Capt. Muhammad Farhan Saeed, AMC	19th April, 2021
56.	PA-106019 Capt. Akhoonzada Abbas Khan, AMC	19th April, 2021
57.	PA-106022 Capt. Muhammad Umair Ashraf, AMC	19th April, 2021
58.	PA-106030 Capt. Shafqat Noor, AMC	19th April, 2021
59.	PSS-106052 Capt. Amna Ashraf, ,AMC	18th April, 2021
60.	PSS-106053 Capt. Saira Noreen, AMC	3rd May, 2021

S. No.	PA/PSS No. Rank Name	DOP
61.	PSS-106055 Capt. Naeem Yousaf, AMC	18th April, 2021
62.	PSS-106058 Capt. Adeela Khan Jadoon, AMC	18th April, 2021
63.	PSS-106061 Capt. Muhammad Asad Zafar, AMC	18th April, 2021
64.	PSS-106063 Capt. Asbah Rehman, AMC	18th April, 2021
65.	PSS-106066 Capt. Sammar Hussain, AMC	18th April, 2021
66.	PSS-106067 Capt. Muhammad Rameez Nawaz, AMC	18th April, 2021
67.	PSS-106069 Capt. Raja Muhammad Waqar Khan, AMC	18th April, 2021
68.	PSS-106074 Capt. Sadaf Mumtaz, AMC	18th April, 2021
69.	PSS-106075 Capt. Hafiz Zulqarnain, AMC	23rd April, 2021
70.	PSS-106078 Capt. Rashid Ali, AMC	18th April, 2021
71.	PSS-106082 Capt. Waqas Farooq Ali, AMC	18th April, 2021
72.	PSS-106083 Capt. Muhammad Fawad, AMC	18th April, 2021
73.	PSS-106084 Capt. Muhammad Ali Akbar, AMC	18th April, 2021
74.	PSS-106090 Capt. Ahmed Sarfaraz, AMC	18th April, 2021
75.	PSS-106091 Capt. Rizwan Rafi, AMC	18th April, 2021
76.	PSS-106092 Capt. Kamran Ali, AMC	18th April, 2021
77.	PA-105504 Capt. Ali Raza, AMC	1st March, 2021
78.	PSS-105920 Capt. Adnan Shahzad, AMC	22nd January, 2021
79.	PA-114781 Capt. Khalid Manzoor, ADC	19th April, 2021
80.	PA-114782 Capt. Ahmed Shah Khan, ADC	19th April, 2021
81.	PSS-104784 Capt. Aasma Maqbool Awan, ADC.	18th April, 2021

No. 426/2021 :

The following 513 Officers have been granted substantive rank of Lieutenant, with effect from 16th April, 2019 :

S. No.	PA No.	Rank	Name	Arm
1.	PA-57166	Lt. Now Capt.	Imran Faiz	Sindh
2.	PA-57167	Lt. Now Capt.	Ahmed Jawad	FF
3.	PA-57168	Lt. Now Capt.	Muhammad Zeeshan Azam	AC
4.	PA-57169	Lt. Now Capt.	Adnan Khan	AK
5.	PA-57170	Lt. Now Capt.	Ali Iftikhar	AK
6.	PA-57171	Lt. Now Capt.	Khawaja Zargham Saqib	Punjab
7.	PA-57172	Lt.	Shaheer Ijaz	Baloch
8.	PA-57173	Lt.	Hamza Ahmad	Engrs.
9.	PA-57174	Lt. Now Capt.	Muhammad Zubair Baig	Baloch
10.	PA-57175	Lt. Now Capt.	Rao Sarwat Saeed	AC
11.	PA-57176	Lt. Now Capt.	Ibtisam Illahi	AC
12.	PA-57177	Lt. Now Capt.	Haider Ali	Engrs.
13.	PA-57178	Lt. Now Capt.	Bilal Roshan	Punjab
14.	PA-57179	Lt. Now Capt.	Waqar Ahmad	Baloch
15.	PA-57180	Lt. Now Capt.	Muhammad Suleman Naeem	Engrs.
16.	PA-57181	Lt. Now Capt.	Hamza Bin Arif	Baloch
17.	PA-57182	Lt. Now Capt.	Muhammad Ahsan Hussain	Arty.
18.	PA-57183	Lt. Now Capt.	Taimoor Tariq	NLI
19.	PA-57184	Lt. Now Capt.	Sadiq Ali Mansoor	Sigs.
20.	PA-57185	Lt. Now Capt.	Hafiz Farhan Khan	AD

S. No.	PA No.	Rank	Name	Arm
21.	PA-57186	Lt. Now Capt.	Kashif Hussain	Punjab
22.	PA-57187	Lt. Now Capt.	Saqib Nawaz	FF
23.	PA-57188	Lt.	Muhammad Taqi Iftikhar	NLI
24.	PA-57189	Lt. Now Capt.	Haseeb Javed	FF
25.	PA-57190	Lt. Now Capt.	Waleed Akbar	Arty.
26.	PA-57191	Lt. Now Capt.	Qazi Shehryar Ahmed	Arty.
27.	PA-57192	Lt. Now Capt.	Ashiq Saleem	FF
28.	PA-57193	Lt. Now Capt.	Shaheryar Tahir	Baloch
29.	PA-57194	Lt. Now Capt.	Shahbaz Khan	Arty.
30.	PA-57195	Lt. Now Capt.	Wajahat Ayub	AK
31.	PA-57196	Lt. Now Capt.	Omar Akhtar Goraya	Arty.
32.	PA-57197	Lt. Now Capt.	Nasir Mehmood	Arty.
33.	PA-57198	Lt. Now Capt.	Muhammad Farhan	Punjab
34.	PA-57199	Lt. Now Capt.	Muhammad Zeeshan	AD
35.	PA-57200	Lt. Now Capt.	Malik Muhammad Asad Hayat	AD
36.	PA-57201	Lt. Now Capt.	Babar Ali Khan	NLI
37.	PA-57202	Lt. Now Capt.	Muhammad Asif Akram	Sindh
38.	PA-57203	Lt. Now Capt.	Murtaza Yawar	Engrs.
39.	PA-57204	Lt.	Usman Shoukat	Avn.
40.	PA-57205	Lt. Now Capt.	Zahoor Ahmed	Arty.

S. No.	PA No.	Rank	Name	Arm
41.	PA-57206	Lt. Now Capt.	Umar Khalid	Punjab
42.	PA-57207	Lt. Now Capt.	Muhammad Aneeq Awan	Baloch
43.	PA-57208	Lt. Now Capt.	Muhammad Ali Khan	FF
44.	PA-57209	Lt. Now Capt.	Saif Ali Asad	AC
45.	PA-57210	Lt. Now Capt.	Muhammad Taimoor Khalil	AC
46.	PA-57211	Lt. Now Capt.	Muhammad Faizan Khan	Punjab
47.	PA-57212	Lt. Now Capt.	Hafeez Ullah Mehsood	AK
48.	PA-57213	Lt. Now Capt.	Masood Shaffa	Sindh
49.	PA-57214	Lt.	Adnan Aslam	FF
50.	PA-57215	Lt. Now Capt.	Waleed Shahid	ASC
51.	PA-57216	Lt. Now Capt.	Shujjah Khan Durrani	AC
52.	PA-57217	Lt. Now Capt.	Muhammad Arqam Rao	AD
53.	PA-57218	Lt. Now Capt.	Ali Raza	Baloch
54.	PA-57219	Lt. Now Capt.	Muhammad Fozeb Iqbal	Arty.
55.	PA-57220	Lt. Now Capt.	Muaaz Ali	Arty.
56.	PA-57221	Lt. Now Capt.	Izhar Ali	ASC
57.	PA-57222	Lt.	Awais Wali	AK
58.	PA-57223	Lt. Now Capt.	Muhammad Ibrahim Khalid	Baloch
59.	PA-57224	Lt. Now Capt.	Muhammad Ali Khan	AC
60.	PA-57225	Lt. Now Capt.	Muhammad Husnain Ashraf	Arty.

S. No.	PA No.	Rank	Name	Arm
61.	PA-57226	Lt. Now Capt.	Hassan Khalid	AK
62.	PA-57227	Lt. Now Capt.	Syed Nabeel Ahmed	Arty.
63.	PA-57228	Lt. Now Capt.	Mubashir Shabbir	Ord.
64.	PA-57229	Lt. Now Capt.	Muhammad Hadeed Khalid	FF
65.	PA-57230	Lt. Now Capt.	Insha Ullah	Arty.
66.	PA-57231	Lt.	Syed Fawad Manzoor Rizvi	Ord.
67.	PA-57232	Lt. Now Capt.	Arslan Mustafa	Sigs.
68.	PA-57233	Lt. Now Capt.	Farhat Ullah Khan	FF
69.	PA-57234	Lt. Now Capt.	Usama Mushtaq Bhatti	Sigs.
70.	PA-57235	Lt.	Muhammad Shoaib Ali Zaman	AD
71.	PA-57236	Lt. Now Capt.	Muhammad Farrukh	Arty.
72.	PA-57237	Lt. Now Capt.	Muhammad Talha Nadeem	Sindh
73.	PA-57238	Lt. Now Capt.	Muhammad Usman	Arty.
74.	PA-57239	Lt. Now Capt.	Saqib Raza	Baloch
75.	PA-57240	Lt. Now Capt.	Faraj Hamid Dar	FF
76.	PA-57241	Lt.	Malik Sadaqat Ali Khan	Arty.
77.	PA-57242	Lt. Now Capt.	Syed Moaz UI Haque Jilani	FF
78.	PA-57243	Lt. Now Capt.	Zafar Ullah Khan	Arty.
79.	PA-57244	Lt. Now Capt.	Hidayat Ullah	Arty.
80.	PA-57245	Lt. Now Capt.	Muhammad Usman	Sindh

S. No.	PA No.	Rank	Name	Arm
81.	PA-57246	Lt. Now Capt.	Muhammad Sajjad Akhtar	Arty.
82.	PA-57247	Lt. Now Capt.	Sharafat Ali	ASC
83.	PA-57248	Lt. Now Capt.	Ehtisham Haider	Punjab
84.	PA-57249	Lt. Now Capt.	Ummair Shabbir	AC
85.	PA-57250	Lt. Now Capt.	Muhammad Haseeb Javed	Arty.
86.	PA-57251	Lt. Now Capt.	Muhammad Mazhar	FF
87.	PA-57252	Lt. Now Capt.	Ehtesham Rasool	Arty.
88.	PA-57253	Lt. Now Capt.	Ihtisham Riyaz	AK
89.	PA-57255	Lt.	Asif Hussain	NLI
90.	PA-57256	Lt.	Asadullah Khan	Baloch
91.	PA-57257	Lt. Now Capt.	Muhammad Ammar Javid	FF
92.	PA-57258	Lt. Now Capt.	Hamza Rehman	Punjab
93.	PA-57259	Lt. Now Capt.	Basit Mehmood Malik	Arty.
94.	PA-57260	Lt. Now Capt.	Aimal Khan Afridi	FF
95.	PA-57261	Lt. Now Capt.	Syed Muhammad Abbas Raza	Engrs.
96.	PA-57262	Lt. Now Capt.	Saqib Nadeem	Baloch
97.	PA-57263	Lt.	Muhammad Idrees	Arty.
98.	PA-57264	Lt. Now Capt.	Asim Zulfiqar	Sindh
99.	PA-57265	Lt. Now Capt.	Sheraz Ahmed	FF
100.	PA-57266	Lt. Now Capt.	Muhammad Usman	AK

S. No.	PA No.	Rank	Name	Arm
101.	PA-57267	Lt. Now Capt.	Shoukat Nawaz Ashraf	Ord.
102.	PA-57268	Lt. Now Capt.	Nazim Ali	Sindh
103.	PA-57269	Lt. Now Capt.	Umer Farooq	Baloch
104.	PA-57270	Lt.	Abdul Musawwar Fida	Arty.
105.	PA-57271	Lt. Now Capt.	Hassan Farooq	AC
106.	PA-57272	Lt. Now Capt.	Muneeb Ur Rehman	Arty.
107.	PA-57273	Lt. Now Capt.	Hafiz Muhammad Hazaifa Khalid	Arty.
108.	PA-57274	Lt. Now Capt.	Muhib Ullah	ASC
109.	PA-57275	Lt. Now Capt.	Muhammad Hamza Babar	AD
110.	PA-57276	Lt.	Iftikhar Ahmed	Sindh
111.	PA-57277	Lt. Now Capt.	Huzaiifa Sabieh	Arty.
112.	PA-57278	Lt.	Asmat Ullah	AD
113.	PA-57279	Lt. Now Capt.	Atif Bashir	ASC
114.	PA-57280	Lt. Now Capt.	Saad Abdul Hanan	FF
115.	PA-57281	Lt. Now Capt.	Shehzad Khalid	AC
116.	PA-57282	Lt.	Muhammad Adnan	FF
117.	PA-57283	Lt. Now Capt.	Zaid Ahmad Saleemi	ASC
118.	PA-57284	Lt. Now Capt.	Umer Hafeez	Punjab
119.	PA-57285	Lt.	Hussnain Abbas Bhatti	Punjab
120.	PA-57286	Lt. Now Capt.	Muhammad Adil Javed	AK

S. No.	PA No.	Rank	Name	Arm
121.	PA-57287	Lt. Now Capt.	Ali Raza	Baloch
122.	PA-57288	Lt.	Muhammad Jahanzaib Saghir	AD
123.	PA-57289	Lt. Now Capt.	Hamza Sahibzada	AC
124.	PA-57290	Lt. Now Capt.	Adeel Ahmad	AD
125.	PA-57291	Lt. Now Capt.	Aqeel Nisar	Sindh
126.	PA-57292	Lt. Now Capt.	Haider Ali	AC
127.	PA-57293	Lt. Now Capt.	Muhammad Ali Murtaza	Punjab
128.	PA-57294	Lt. Now Capt.	Bilal Mustafa	Engrs.
129.	PA-57295	Lt. Now Capt.	Syed Muhammad Umar Gillani	Engrs.
130.	PA-57296	Lt. Now Capt.	Arslan Shoukat	AK
131.	PA-57297	Lt. Now Capt.	Mudasar Hussain	Baloch
132.	PA-57298	Lt. Now Capt.	Ahmed Shah	Arty.
133.	PA-57299	Lt. Now Capt.	Muhammad Shaji Shahid	FF
134.	PA-57300	Lt.	Noor Uddin Ali	AC
135.	PA-57301	Lt. Now Capt.	Shahwaiz Munir	Engrs.
136.	PA-57302	Lt.	Muhammad Hasnat	Arty.
137.	PA-57303	Lt. Now Capt.	Muhammad Haris	Arty.
138.	PA-57304	Lt. Now Capt.	Muhammad Farhan Ismail	Arty.
139.	PA-57305	Lt. Now Capt.	Najaf Ameer Khan	Arty.
140.	PA-57306	Lt.	Syed Shahzad Anwar	ASC

S. No.	PA No.	Rank	Name	Arm
141.	PA-57307	Lt. Now Capt.	Faheem Abbas	Punjab
142.	PA-57308	Lt. Now Capt.	Muhammad Ameer Hamza Naqvi	Baloch
143.	PA-57310	Lt. Now Capt.	Muhammad Asphand Yar Masood	Sigs.
144.	PA-57311	Lt. Now Capt.	Umair Maqsood	Baloch
145.	PA-57312	Lt. Now Capt.	Umer Farooq	Arty.
146.	PA-57313	Lt.	Nasir Ashraf	NLI
147.	PA-57314	Lt. Now Capt.	Muhammad Farooq	ASC
148.	PA-57315	Lt.	Azhar Azam	Arty.
149.	PA-57316	Lt. Now Capt.	Amir Salar Nousherwani	ASC
150.	PA-57317	Lt. Now Capt.	Raheel Ahmed Khan	Arty.
151.	PA-57318	Lt. Now Capt.	Ahmad Ajaz	Baloch
152.	PA-57319	Lt. Now Capt.	Muhammad Nasir	Arty.
153.	PA-57320	Lt.	Kashif Ali	ASC
154.	PA-57321	Lt. Now Capt.	Muhammad Adeel	AD
155.	PA-57322	Lt. Now Capt.	Majid Gul	Punjab
156.	PA-57323	Lt. Now Capt.	Hafiz Sardar Abbas Ur Rehman	Arty.
157.	PA-57324	Lt. Now Capt.	Hamza Sakeen Ullah	Engrs.
158.	PA-57325	Lt.	Muhammad Bilal Khan	Arty.
159.	PA-57326	Lt. Now Capt.	Imad Khan	FF
160.	PA-57327	Lt. Now Capt.	Saifullah Khan	AK

S. No.	PA No.	Rank	Name	Arm
161.	PA-57328	Lt. Now Capt.	Muzaffar Shafi	FF
162.	PA-57329	Lt. Now Capt.	Khalid Mehmood	Sindh
163.	PA-57330	Lt. Now Capt.	Syed Amad Shah	Punjab
164.	PA-57331	Lt. Now Capt.	Ubaid Ullah Khan	Arty.
165.	PA-57332	Lt. Now Capt.	Nauman Khalid	Baloch
166.	PA-57333	Lt. Now Capt.	Muhammad Irtaza Javaid	AD
167.	PA-57334	Lt. Now Capt.	Muhammad Waqas Naseer Lillah	AK
168.	PA-57335	Lt. Now Capt.	Fahd Umar	FF
169.	PA-57336	Lt. Now Capt.	Seljuq Bin Saif	AD
170.	PA-57337	Lt. Now Capt.	Muhammad Aqeel	Arty.
171.	PA-57338	Lt. Now Capt.	Jehanzeib Asdaque	FF
172.	PA-57339	Lt.	Hamza Khan	ASC
173.	PA-57340	Lt. Now Capt.	Muhammad Bilal Ahsan	FF
174.	PA-57341	Lt. Now Capt.	Shan E Ali	Baloch
175.	PA-57342	Lt. Now Capt.	Muhammad Laeeq Ul Hasan	Arty.
176.	PA-57343	Lt. Now Capt.	Ayaz Ahmed	AD
177.	PA-57344	Lt. Now Capt.	Sahibzada Hammad Muhammad	Arty.
178.	PA-57345	Lt. Now Capt.	Kumail Ali	AC
179.	PA-57346	Lt. Now Capt.	Hunnain Hamid	AC
180.	PA-57347	Lt. Now Capt.	Atif Khan	FF

S. No.	PA No.	Rank	Name	Arm
181.	PA-57348	Lt.	Akbar-E-Azam	Punjab
182.	PA-57349	Lt. Now Capt.	Syed Sharjeel Raza Naqvi	Arty.
183.	PA-57350	Lt. Now Capt.	Awais Khalil	Arty.
184.	PA-57351	Lt. Now Capt.	Ehtisham Iqbal	AC
185.	PA-57352	Lt. Now Capt.	Abdul Qadus	Baloch
186.	PA-57353	Lt. Now Capt.	Asim Shehzad	Arty.
187.	PA-57354	Lt.	Saram Yousaf	AC
188.	PA-57355	Lt.	Muhammad Qaisar	Arty.
189.	PA-57356	Lt.	Sayed Shah Taqi	Sindh
190.	PA-57357	Lt. Now Capt.	Muhammad Kashif	Arty.
191.	PA-57358	Lt. Now Capt.	Muhammad Arman	FF
192.	PA-57359	Lt. Now Capt.	Sheraz Haider	AD
193.	PA-57360	Lt. Now Capt.	Muhammad Umer Tabish	AD
194.	PA-57361	Lt. Now Capt.	Hamza Khan	Sigs.
195.	PA-57362	Lt. Now Capt.	Zahoor Ul Mominin	Arty.
196.	PA-57363	Lt. Now Capt.	Muhammad Arslan	AK
197.	PA-57364	Lt. Now Capt.	Muhammad Awais Raza	Ord.
198.	PA-57365	Lt.	Muhammad Bilal Arshad	FF
199.	PA-57366	Lt.	Danish Iqbal Minhas	Arty.
200.	PA-57367	Lt. Now Capt.	Danish	FF

S. No.	PA No.	Rank	Name	Arm
201.	PA-57368	Lt. Now Capt.	Kashif Riaz	AD
202.	PA-57369	Lt. Now Capt.	Hashim Aziz Khattak	Arty.
203.	PA-57370	Lt. Now Capt.	Hafiz Hamza Mehmood	Arty.
204.	PA-57371	Lt. Now Capt.	Muhammad Nadeem Sajid	Punjab
205.	PA-57372	Lt. Now Capt.	Muawiya Zubair	AK
206.	PA-57373	Lt. Now Capt.	Tanveer Hussain	AD
207.	PA-57374	Lt. Now Capt.	Hammad Rasheed	AC
208.	PA-57375	Lt. Now Capt.	Muhammad Kaleemullah	Sigs.
209.	PA-57376	Lt. Now Capt.	Shoaib Babar	ASC
210.	PA-57377	Lt.	Abdul Kabir Mir	Arty.
211.	PA-57378	Lt.	Abdul Haseeb Shakir	Arty.
212.	PA-57379	Lt. Now Capt.	Mirza Muhammad Hassan	Engrs.
213.	PA-57380	Lt. Now Capt.	Qaisar Ejaz	Avn.
214.	PA-57381	Lt. Now Capt.	Zaheem Zulfiqar	Engrs.
215.	PA-57382	Lt. Now Capt.	Nafees Ahmad	Punjab
216.	PA-57383	Lt. Now Capt.	Karam Nawaz	AD
217.	PA-57384	Lt.	Arshad Iqbal	Punjab
218.	PA-57385	Lt. Now Capt.	Zia Ali	Arty.
219.	PA-57386	Lt.	Waqas Ahmed	Punjab
220.	PA-57387	Lt. Now Capt.	Syed Hashim Hussain	Baloch

S. No.	PA No.	Rank	Name	Arm
221.	PA-57388	Lt. Now Capt.	Muhammad Moeed Haider Shafiq	AC
222.	PA-57389	Lt. Now Capt.	Azhar Sultan	AK
223.	PA-57390	Lt. Now Capt.	Syed Abdul Mosawir Shah	ASC
224.	PA-57391	Lt. Now Capt.	Hafiz Ullah	AK
225.	PA-57392	Lt.	Nosherwan Ehsun Minhas	AD
226.	PA-57393	Lt. Now Capt.	Asad Ur Rehman	Arty.
227.	PA-57394	Lt. Now Capt.	Abdul Muez Satti	ASC
228.	PA-57395	Lt. Now Capt.	Jawad Ul Islam	Arty.
229.	PA-57396	Lt.	Faran Aatif	FF
230.	PA-57397	Lt. Now Capt.	Hafiz Ali Hasan	Arty.
231.	PA-57398	Lt. Now Capt.	Muhammad Hashim Ali	AK
232.	PA-57399	Lt. Now Capt.	Muhammad Zubair Tariq Awan	AD
233.	PA-57400	Lt. Now Capt.	Muhammad Shahid Naseer	Sindh
234.	PA-57401	Lt. Now Capt.	Ahmad Raza	Sindh
235.	PA-57402	Lt. Now Capt.	Abdul Ahad	Sigs.
236.	PA-57403	Lt. Now Capt.	Muaiz Haider	Arty.
237.	PA-57404	Lt. Now Capt.	Muhammad Adnan	Sindh
238.	PA-57405	Lt. Now Capt.	Qamar Hussain	NLI
239.	PA-57406	Lt. Now Capt.	Talha Ghias Khan	AC
240.	PA-57407	Lt.	Usman Muzamal	FF

S. No.	PA No.	Rank	Name	Arm
241.	PA-57408	Lt. Now Capt.	Ajmal Khan	NLI
242.	PA-57409	Lt. Now Capt.	Muhammad Muzzammil	Arty.
243.	PA-57411	Lt.	Muhammad Ali Younas	AC
244.	PA-57412	Lt.	Asfand Yar Khan	Baloch
245.	PA-57413	Lt. Now Capt.	Muhammad Mushahid Hassan	Sigs.
246.	PA-57414	Lt.	Muhammad Usman Qazi	AC
247.	PA-57415	Lt.	Muhammad Talha	Punjab
248.	PA-57416	Lt. Now Capt.	Adnan Khan	FF
249.	PA-57417	Lt. Now Capt.	Hafiz Syed Ahmad Hassaan	Arty.
250.	PA-57418	Lt. Now Capt.	Muhammad Uzair Bin Haider	AD
251.	PA-57419	Lt. Now Capt.	Hassan Abbas	Sigs.
252.	PA-57420	Lt. Now Capt.	Ahmad Hassan	Arty.
253.	PA-57421	Lt. Now Capt.	Muhammad Ali	Baloch
254.	PA-57422	Lt. Now Capt.	Faizan Ashraf	AK
255.	PA-57423	Lt. Now Capt.	Shahzad Ali	AK
256.	PA-57424	Lt. Now Capt.	Muhammad Ghazanfar Ali	AK
257.	PA-57425	Lt. Now Capt.	Abdul Qadeer	Baloch
258.	PA-57426	Lt. Now Capt.	Wasif Khaqan	Baloch
259.	PA-57427	Lt. Now Capt.	Masood Ahmed	Arty.
260.	PA-57428	Lt. Now Capt.	Muhammad Hamza Nasir	Punjab

S. No.	PA No.	Rank	Name	Arm
261.	PA-57429	Lt. Now Capt.	Muhammad Ehsan Ul Haq	Arty.
262.	PA-57430	Lt.	Raja Sohaib Qammar	NLI
263.	PA-57431	Lt.	Fazal Rehman	Punjab
264.	PA-57432	Lt. Now Capt.	Malik Haji Ahmad	Punjab
265.	PA-57433	Lt. Now Capt.	Fareed Hanif	ASC
266.	PA-57434	Lt. Now Capt.	Salman Ali	Baloch
267.	PA-57436	Lt. Now Capt.	Imtiaz Ibrahim	ASC
268.	PA-57437	Lt. Now Capt.	Shoaib Ahmed	Arty.
269.	PA-57438	Lt. Now Capt.	Muhammad Zeeshan	Ord.
270.	PA-57439	Lt. Now Capt.	Muhammad Fahim Ullah	AC
271.	PA-57440	Lt. Now Capt.	Ghulam Mustafa	NLI
272.	PA-57441	Lt. Now Capt.	Muhammad Bin Saif	Engrs.
273.	PA-57442	Lt. Now Capt.	Moiz Ullah Kayani	FF
274.	PA-57443	Lt. Now Capt.	Uzair Ahmad	Ord,
275.	PA-57444	Lt. Now Capt.	Usman Sabir	Punjab
276.	PA-57445	Lt. Now Capt.	Yaser Munaf	AC
277.	PA-57446	Lt.	Hassaan Adil Khan	FF
278.	PA-57447	Lt. Now Capt.	Basit Zubair	Arty.
279.	PA-57448	Lt. Now Capt.	Ahmad Khurshid	Punjab
280.	PA-57449	Lt. Now Capt.	Muhammad Abdullah Khan	Punjab

S. No.	PA No.	Rank	Name	Arm
281.	PA-57450	Lt. Now Capt.	Abdul Mobeen Badini	Baloch
282.	PA-57451	Lt. Now Capt.	Muhammad Musa	Arty.
283.	PA-57452	Lt. Now Capt.	Muhammad Arslan	Arty.
284.	PA-57453	Lt. Now Capt.	Salman	AK
285.	PA-57454	Lt. Now Capt.	Muhammad Asad Khan	AD
286.	PA-57455	Lt. Now Capt.	Arslan Saleem	ASC
287.	PA-57456	Lt. Now Capt.	Muhammad Bilal Akbar	Sindh
288.	PA-57457	Lt. Now Capt.	Umair Ayub	Punjab
289.	PA-57458	Lt. Now Capt.	Muhammad Zeeshan	Punjab
290.	PA-57459	Lt.	Arif Ullah	Sigs.
291.	PA-57460	Lt. Now Capt.	Shahbaz Khan	Baloch
292.	PA-57461	Lt. Now Capt.	Ather Javed	Punjab
293.	PA-57462	Lt. Now Capt.	Anas Qasim	AC
294.	PA-57463	Lt. Now Capt.	Muhammad Shahid	Arty.
295.	PA-57464	Lt.	Fawad Ullah Khan	AD
296.	PA-57465	Lt. Now Capt.	Imran Amin Khan	ASC
297.	PA-57466	Lt. Now Capt.	Muhammad Asad Khan	ASC
298.	PA-57467	Lt.	Syed Sohaib Ahmad	AC
299.	PA-57468	Lt. Now Capt.	Ashraf Khan Panezai	Baloch
300.	PA-57469	Lt. Now Capt.	Akhtarud Din	AK

S. No.	PA No.	Rank	Name	Arm
301.	PA-57470	Lt. Now Capt.	Muhammad Bilal Ashraf	AK
302.	PA-57471	Lt. Now Capt.	Muhammad Talha Ameen	Arty.
303.	PA-57472	Lt.	Azaz Robin	Baloch
304.	PA-57473	Lt. Now Capt.	Faisal Subhan	Sindh
305.	PA-57474	Lt. Now Capt.	Mohsin Raza	Arty.
306.	PA-57475	Lt.	Arslan Khalid	Arty.
307.	PA-57476	Lt. Now Capt.	Humza Javed	Sindh
308.	PA-57477	Lt. Now Capt.	Naveed Abbas	FF
309.	PA-57478	Lt. Now Capt.	Muhammad Kashif Khan	AK
310.	PA-57479	Lt. Now Capt.	Ruhullah	AK
311.	PA-57480	Lt. Now Capt.	Syed Aamir Hassan Kazmi	ASC
312.	PA-57481	Lt. Now Capt.	Adil Jalil	Engrs.
313.	PA-57482	Lt. Now Capt.	Ashir Islam	Arty.
314.	PA-57483	Lt. Now Capt.	Muhammad Taifoor Malik	AD
315.	PA-57484	Lt. Now Capt.	Izath Ullah	Baloch
316.	PA-57485	Lt. Now Capt.	Asad Mughal	AD
317.	PA-57486	Lt. Now Capt.	Faran Rasool	Arty.
318.	PA-57487	Lt. Now Capt.	Muhammad Ali Asad	AC
319.	PA-57488	Lt.	Yasir Arfat	AK
320.	PA-57489	Lt.	Chaudhry Umam Amjad	Ord.

S. No.	PA No.	Rank	Name	Arm
321.	PA-57490	Lt. Now Capt.	Nauman Shahzad	FF
322.	PA-57491	Lt. Now Capt.	Muhammad Faisal Habib	Baloch
323.	PA-57492	Lt. Now Capt.	Hamza Mujtaba Mughal	Arty.
324.	PA-57493	Lt. Now Capt.	Muhammad Hamza	Punjab
325.	PA-57494	Lt. Now Capt.	Ezzat Ullah	ASC
326.	PA-57495	Lt. Now Capt.	Muhammad Bilal Ali	Baloch
327.	PA-57496	Lt. Now Capt.	Rohan Khalid	AC
328.	PA-57497	Lt.	Fahad Ali	AD
329.	PA-57498	Lt. Now Capt.	Muhammad Sajid	Baloch
330.	PA-57499	Lt. Now Capt.	Aarij Shabbir Awan	AD
331.	PA-57500	Lt. Now Capt.	Mujeeb Ur Rehman	AC
332.	PA-57501	Lt. Now Capt.	Abbas Khan	Punjab
333.	PA-57502	Lt. Now Capt.	Syed Muhammad Taha Naqvi	Punjab
334.	PA-57503	Lt. Now Capt.	Adnan Yousaf	FF
335.	PA-57504	Lt. Now Capt.	Zain Ul Abideen	AK
336.	PA-57505	Lt. Now Capt.	Muhammad Ali Khan	Punjab
337.	PA-57506	Lt. Now Capt.	Asfand Javed	FF
338.	PA-57507	Lt. Now Capt.	Muhammad Bilal Zafar	AK
339.	PA-57508	Lt. Now Capt.	Ahmad Hassan	ASC
340.	PA-57509	Lt. Now Capt.	Muhammad Fasih Khan	AC

S. No.	PA No.	Rank	Name	Arm
341.	PA-57510	Lt. Now Capt.	Farmanullah	ASC
342.	PA-57511	Lt. Now Capt.	Muhammad Faizan Shah	Sindh
343.	PA-57512	Lt. Now Capt.	Muhammad Qaiser Saleem	Baloch
344.	PA-57513	Lt. Now Capt.	Faiz Ali Khan	Sindh
345.	PA-57514	Lt. Now Capt.	Muhammad Aimal Iqbal	AK
346.	PA-57515	Lt. Now Capt.	Sheikh Hamza Aftab	Sigs.
347.	PA-57516	Lt. Now Capt.	Wajid Niaz Khan	Engrs.
348.	PA-57517	Lt. Now Capt.	Muzammal Akram	FF
349.	PA-57519	Lt. Now Capt.	M. Fazil Durrani	Arty.
350.	PA-57520	Lt. Now Capt.	Arslan Mehboob	AD
351.	PA-57521	Lt. Now Capt.	Alauddin Khan	Arty.
352.	PA-57522	Lt. Now Capt.	Allah Nawaz Khan	Arty.
353.	PA-57523	Lt. Now Capt.	Nouman Zafar	AD
354.	PA-57524	Lt. Now Capt.	Tabassum Rashid	Arty.
355.	PA-57525	Lt. Now Capt.	Muhammad Hamza Ch.	Ord.
356.	PA-57526	Lt. Now Capt.	Sulaiman	FF
357.	PA-57527	Lt. Now Capt.	Aqeel Abbas	NLI
358.	PA-57528	Lt.	Muhammad Aoun Nasir	AC
359.	PA-57529	Lt. Now Capt.	Muhammad Raheel Malik	Engrs.
360.	PA-57530	Lt. Now Capt.	Rao Asif Ali	ASC

S. No.	PA No.	Rank	Name	Arm
361.	PA-57531	Lt. Now Capt.	Kaleem Ullah	Arty.
362.	PA-57532	Lt. Now Capt.	Ammar Sultan	ASC
363.	PA-57533	Lt. Now Capt.	Musarat Hussain	Sindh
364.	PA-57534	Lt. Now Capt.	Qazi Wajih Ud Din	Arty.
365.	PA-57535	Lt. Now Capt.	Nouman Ahmad	Arty.
366.	PA-57536	Lt.	Muneeb Aftab Malik	AK
367.	PA-57537	Lt. Now Capt.	Ashiq Ali	Arty.
368.	PA-57538	Lt. Now Capt.	Saad Ahmed Saeed	AC
369.	PA-57539	Lt. Now Capt.	Azhar Mehmood	ASC
370.	PA-57540	Lt. Now Capt.	Ejaz Ahmad	AK
371.	PA-57541	Lt. Now Capt.	Usama Khalid	Arty.
372.	PA-57542	Lt. Now Capt.	Muhammad Nauman Saleem	FF
373.	PA-57543	Lt. Now Capt.	Adnan Ahmed	Sindh
374.	PA-57544	Lt. Now Capt.	Rana Hassan	AC
375.	PA-57545	Lt. Now Capt.	Adeel Zafar	Sigs.
376.	PA-57546	Lt. Now Capt.	Ali Mushtaq	AD
377.	PA-57547	Lt. Now Capt.	Muhammad Akmal Khan	Sindh
378.	PA-57548	Lt.	Muhammad Bilal Ali	NLI
379.	PA-57549	Lt.	Muhammad Shehzad Rasheed	AD
380.	PA-57550	Lt. Now Capt.	Jawad Khan	Punjab

S. No.	PA No.	Rank	Name	Arm
381.	PA-57551	Lt. Now Capt.	Hamza Akhtar	Arty.
382.	PA-57552	Lt. Now Capt.	Usman Khalid	Baloch
383.	PA-57553	Lt. Now Capt.	Asif Maqbool	AC
384.	PA-57554	Lt.	Imran Khan	Baloch
385.	PA-57555	Lt. Now Capt.	Kashif Khan Afridi	FF
386.	PA-57556	Lt.	Muhammad Qasim	Punjab
387.	PA-57557	Lt. Now Capt.	Aaqib Javaid	Baloch
388.	PA-57558	Lt. Now Capt.	Wazir Khan	Arty.
389.	PA-57559	Lt. Now Capt.	Sehran Sheikh	FF
390.	PA-57560	Lt. Now Capt.	Nawazish Ali	Baloch
391.	PA-57561	Lt.	Sadaqat Ali	Sindh
392.	PA-57562	Lt. Now Capt.	Aamir Qayyum	AC
393.	PA-57563	Lt. Now Capt.	Muhammad Suleman	ASC
394.	PA-57564	Lt. Now Capt.	Muhammad Aizaz Ali Shah	Avn.
395.	PA-57565	Lt. Now Capt.	Muhammad Nauman	AK
396.	PA-57566	Lt.	Muhammad Ammar	Arty.
397.	PA-57567	Lt. Now Capt.	Umair Pervez	Baloch
398.	PA-57568	Lt.	Khalid Khan Afridi	Arty.
399.	PA-57569	Lt. Now Capt.	Muhammad Ishaq	AK
400.	PA-57570	Lt. Now Capt.	Muhammad Muntazir Medhi	Arty.

S. No.	PA No.	Rank	Name	Arm
401.	PA-57571	Lt. Now Capt.	Rashid Ali Khan	Punjab
402.	PA-57572	Lt. Now Capt.	Ali Ayoub	Arty.
403.	PA-57573	Lt. Now Capt.	Adil Ahmed	Punjab
404.	PA-57574	Lt. Now Capt.	Wasim Akram	ASC
405.	PA-57575	Lt. Now Capt.	Mubashir Hussain	ASC
406.	PA-57576	Lt. Now Capt.	Hasnain Khan Afridi	FF
407.	PA-57577	Lt. Now Capt.	Ahmad Sher	FF
408.	PA-57578	Lt. Now Capt.	Asad Talha Mohsan	Baloch
409.	PA-57579	Lt. Now Capt.	Ali Hassan	Punjab
410.	PA-57580	Lt. Now Capt.	Inzamam UI Haq	FF
411.	PA-57581	Lt. Now Capt.	Muhammad Ishaq Shah	AK
412.	PA-57582	Lt. Now Capt.	Munsab Khan	AC
413.	PA-57583	Lt. Now Capt.	Shahzad Hussain	Arty.
414.	PA-57584	Lt.	Ahmad Shehryar Sikandar Nagra	ASC
415.	PA-57585	Lt. Now Capt.	Iheraz Ali	ASC
416.	PA-57586	Lt. Now Capt.	Aizaz Ali Khan	NLI
417.	PA-57587	Lt. Now Capt.	Muhammad Inzimam UI Haq	Sindh
418.	PA-57588	Lt. Now Capt.	Kamal Ud Din	Punjab
419.	PA-57589	Lt. Now Capt.	Muhammad Usman	Arty.
420.	PA-57590	Lt. Now Capt.	Asfand Yar Ali Kayani	Ord.

S. No.	PA No.	Rank	Name	Arm
421.	PA-57591	Lt.	Sarfaraz Ahmed	Arty.
422.	PA-57592	Lt.	Muhammad Shahbaz Khan	Arty.
423.	PA-57593	Lt. Now Capt.	Mujahid Qadeer	Arty.
424.	PA-57594	Lt. Now Capt.	Naeem Ullah	AK
425.	PA-57595	Lt. Now Capt.	Muhammad Fahd Waseem	AC
426.	PA-57596	Lt. Now Capt.	Huzafah Baig	AD
427.	PA-57597	Lt. Now Capt.	Junaid Jawaid Awan	AD
428.	PA-57598	Lt. Now Capt.	Shaheer Nawaz Khan	Arty.
429.	PA-57599	Lt. Now Capt.	Kanwar Mateen Anwar	AD
430.	PA-57600	Lt. Now Capt.	Muhammad Haris Awan	Sigs.
431.	PA-57601	Lt. Now Capt.	Kashif Yaseen	Sigs.
432.	PA-57602	Lt. Now Capt.	Ameer Ali	Sindh
433.	PA-57603	Lt. Now Capt.	Hamza Bin Saleem	Baloch
434.	PA-57604	Lt. Now Capt.	Israr Ameen	Arty.
435.	PA-57605	Lt. Now Capt.	Muhammad Rafeh Awan	FF
436.	PA-57606	Lt. Now Capt.	Saqlain Aftab	Punjab
437.	PA-57607	Lt. Now Capt.	Khan Zaman Khan	AD
438.	PA-57608	Lt. Now Capt.	Muhammad Ali	AC
439.	PA-57609	Lt.	Faisal Anwar	AD
440.	PA-57610	Lt.	Maaz Ali	AD

S. No.	PA No.	Rank	Name	Arm
441.	PA-57611	Lt. Now Capt.	Muhammad Azeem Tahir	Engrs.
442.	PA-57612	Lt. Now Capt.	Mansoor Abbas	Engrs.
443.	PA-57613	Lt. Now Capt.	Muhammad Khaleeq Hassan	Baloch
444.	PA-57614	Lt.	Mujahid Bin Naseer	Punjab
445.	PA-57615	Lt. Now Capt.	Rehmat Ali	NLI
446.	PA-57616	Lt.	Faraz Ahmed Tareen	Punjab
447.	PA-57617	Lt. Now Capt.	Qaisar Khan	ASC
448.	PA-57618	Lt. Now Capt.	Aimal Khan Kakar	Sindh
449.	PA-57619	Lt. Now Capt.	Jamil Ahmad	Ord.
450.	PA-57620	Lt. Now Capt.	Shamroz Shakeel	Sindh
451.	PA-57621	Lt. Now Capt.	Abdul Sami	AC
452.	PA-57622	Lt. Now Capt.	Muhammad Ayub	Arty.
453.	PA-57623	Lt. Now Capt.	Arsalan Ahmed Nawaz Sheikh	Arty.
454.	PA-57624	Lt. Now Capt.	Muneeb Ahmad	Engrs.
455.	PA-57625	Lt. Now Capt.	Zain Bin Amin	ASC
456.	PA-57626	Lt. Now Capt.	Waseem Ullah	AK
457.	PA-57627	Lt. Now Capt.	Muhammad Bilal Mehmood	Sigs.
458.	PA-57628	Lt. Now Capt.	Hassan Abdullah	Arty.
459.	PA-57629	Lt. Now Capt.	Tahir Ul Hassan	AD
460.	PA-57630	Lt. Now Capt.	Muhammad Ismail Khan	Avn.

S. No.	PA No.	Rank	Name	Arm
461.	PA-57631	Lt. Now Capt.	Yar Jan	Punjab
462.	PA-57632	Lt. Now Capt.	Muhammad Azeem Raza	AD
463.	PA-57633	Lt. Now Capt.	Raza Mustafa	Punjab
464.	PA-57634	Lt. Now Capt.	Pehlwan Khan	AD
465.	PA-57635	Lt. Now Capt.	Abdullah Chatha	Sigs.
466.	PA-57636	Lt. Now Capt.	Hamza Ahmed	FF
467.	PA-57637	Lt. Now Capt.	Wajahat Wakil	AD
468.	PA-57638	Lt. Now Capt.	Quaid Ali	Baloch
469.	PA-57639	Lt. Now Capt.	Imran Azam Khattak	AC
470.	PA-57640	Lt. Now Capt.	Affan Masood Khan	FF
471.	PA-57641	Lt.	Taha Jamil Batra	AC
472.	PA-57642	Lt. Now Capt.	Asad Furqan	Arty.
473.	PA-57643	Lt. Now Capt.	M. Awais Asif	Punjab
474.	PA-57644	Lt. Now Capt.	Muhammad Mutayyab Ijaz	AD
475.	PA-57645	Lt. Now Capt.	Faheem Jawad Khan	Arty.
476.	PA-57646	Lt. Now Capt.	Israr Ullah	AK
477.	PA-57647	Lt. Now Capt.	Abdul Rafay Saeed	AC
478.	PA-57648	Lt. Now Capt.	Muhammad Waqar Hussain	Arty.
479.	PA-57649	Lt. Now Capt.	Syed Shabahat Hussain	Baloch
480.	PA-57650	Lt. Now Capt.	Sadam Hussain	AK

S. No.	PA No.	Rank	Name	Arm
481.	PA-57651	Lt. Now Capt.	Danish Mehmood Khan	Sigs.
482.	PA-57652	Lt. Now Capt.	Ali Raza	Punjab
483.	PA-57653	Lt. Now Capt.	Bilal Ahmad	AC
484.	PA-57654	Lt. Now Capt.	Abu Bakar	Arty.
485.	PA-57655	Lt. Now Capt.	Shah Zeb Saeed	AC
486.	PA-57656	Lt. Now Capt.	Shujat Ali	FF
487.	PA-57657	Lt. Now Capt.	Wasif Navid Malik	AC
488.	PA-57658	Lt. Now Capt.	Hamza Zulfiqar	Arty.
489.	PA-57659	Lt. Now Capt.	Umair Ali	AD
490.	PA-57660	Lt. Now Capt.	Abbas Ali	Arty.
491.	PA-57661	Lt. Now Capt.	Junaid Ahmad	AC
492.	PA-57662	Lt. Now Capt.	Muhammad Tayyab Tahir	AK
493.	PA-57663	Lt. Now Capt.	Hamayun Sheikh	FF
494.	PA-57664	Lt. Now Capt.	Hidayat Ullah	Baloch
495.	PA-57665	Lt. Now Capt.	Inzamam Ul Haq	Arty.
496.	PA-57666	Lt. Now Capt.	Muhammad Safeer Ali	Arty.
497.	PA-57667	Lt. Now Capt.	Daniyal Safi Ullah Khan	Engrs.
498.	PA-57668	Lt. Now Capt.	Zeeshan Zafar	Arty.
499.	PA-57669	Lt. Now Capt.	Abdul Basit Khan	Ord.
500.	PA-57670	Lt. Now Capt.	Syed Basit Ali Shah	Punjab

S. No.	PA No.	Rank	Name	Arm
501.	PA-57671	Lt. Now Capt.	Muhammad Bilal Safir	AC
502	PA-57672	Lt. Now Capt.	Rashid Munir Khan	Ord.
503	PA-57673	Lt. Now Capt.	Rehmat Ali	AD
504	PA-57674	Lt. Now Capt.	Iqbal Hussain	Baloch
505.	PA-57675	Lt. Now Capt.	Immad Mehmood Babri	Arty.
506.	PA-57676	Lt.	Mujeeb Ullah	Punjab
507.	PA-57677	Lt. Now Capt.	Mudasser Nawaz	Arty.
508.	PA-57678	Lt. Now Capt.	Danyal Sarwar	Baloch
509.	PA-57679	Lt. Now Capt.	Muhammad Adil	Punjab
510.	PA-57680	Lt. Now Capt.	Syed Imran Mahmood Rizvi	Arty.
511.	PA-57681	Lt. Now Capt.	Zain Ul Abdin	ASC
512.	PA-57682	Lt.	Sajid Nazar	Arty.
513.	PA-57683	Lt. Now Capt.	Idrees Ahmed	ASC

[No. F. 2/7/D-2(A-II)/2021].

MIAN MUHAMMAD HILAL HUSSAIN, *HI(M)*, Lt. Gen. (Retd.),
Secretary.

The Gazette of Pakistan

PUBLISHED BY AUTHORITY

KARACHI, WEDNESDAY, JULY 14, 2021

PART III

Notifications issued by the High Courts, the Federal Public Service Commission and by the Attached and Subordinate Offices of the Government of Pakistan

FEDERAL PUBLIC SERVICE COMMISSION

Islamabad, the 14th April, 2021

No. F.19-108/87-Estt-Vol-II.—Mr. Muhammad Iqbal, Assistant Director (BS-17) of this office is granted leave on full pay for a period of forty (40) days, with effect from 19th April, 2021 to 28th May, 2021, subject to title.

On expiry of leave, the officer is likely to join the same post at same station.

FAIQ AHMAD KHAN,
Assistant Director (HR-I).

COUNCIL OF ISLAMIC IDEOLOGY

Islamabad, the 30th March, 2021

No. F.1(26)/82-Admn-CII/910.—Consequent upon attaining the age of superannuation, Mr. Akhtar Pervaiz, Senior Private Secretary (BPS-19), Council of Islamic Ideology who opted for encashment of L.P.R. shall stand retired from Government Service with effect from 31st March, 2021.

This issues with the approval of Secretary, Council of Islamic Ideology.

MUHAMMAD ATIQ-UR-REHMAN,
Deputy Director (Admn/HR).

COLLECTORATE OF CUSTOMS (ADJUDICATION-I)

Karachi, the 30th March, 2021

No. Cus/2016-Estt(Adj-I).—In pursuance of Board's Notification No. 0686-C-II/2021 dated 30th March, 2021,

Ms. Mahwish Shah, has relinquished the charge of Deputy Collector (B-18) and assumed the charge of Additional Collector, (BS-19) Collectorate of Customs, (Adjudication-I), Custom House, Karachi on 30th March, 2021.

WAHEED ANWAR ABRO,
Deputy Collector (HQ).

ادارہ فروغ قومی زبان

اسلام آباد، ۲۶ مارچ، ۲۰۲۱ء

و/۵۶۸/۲۰۲۰/الف کنٹرولر جنرل آف ایکاؤنٹس (CGA) اسلام آباد کے مراسلہ نمبر 192-CGA/Estt/Deputation/2018/PF مورخہ ۲۶ مارچ، ۲۰۲۱ء کے تحت جناب ریحان منصور، افسر حسابات (بی پی ایس-۱۸) ادارہ فروغ قومی زبان کی پاکستان سپورٹس بورڈ، وزارت بین الصوبائی رابطہ میں بطور ڈائریکٹر (فنانس اینڈ ایکاؤنٹس) مستعار الخدمتی بنیادوں پر تعیناتی عمل میں آچکی ہے، مذکورہ احکامات کی روشنی میں افسر موصوف نے ادارہ فروغ قومی زبان، اسلام آباد میں افسر حسابات (بی پی ایس-۱۸) کی اسامی کا چارج مورخہ ۲۳ مارچ ۲۰۲۱ء سے چھوڑ دیا ہے۔

یہ مراسلہ جناب ڈائریکٹر جنرل، ادارہ فروغ قومی زبان کی منظوری سے جاری ہوا۔

(محبوب خان گٹھی)

ڈپٹی ڈائریکٹر

DIRECTORATE GENERAL OF IMMIGRATION & PASSPORTS

Islamabad, the 29th March, 2021

No. F.3/4/2001-Admn.—Consequent upon attaining the age of superannuation (60 years), Mr. Sajjad Hussain Afridi, Assistant Director (BPS-17), Regional Passport Office, Attock will stand retired from Government Service with effect from 16th April, 2021.

This issues with the approval of Director General Immigration & Passports.

ALTAF KHAN,
Assistant Director (Admn-I).

FEDERAL GOVERNMENT PLOYCLINIC

(Postgraduate Medical Institute)

Islamabad, the 18th March, 2021

No. PF.1/3393/93.—Dr. Fouzia Zulfiqar, Medical Officer (BS-19) Federal Government Polyclinic, Islamabad was granted 13 days leave on full pay with effect from 22nd February, 2021 to 6th March, 2021.

After availing above leave, she has joined her duty in this hospital with effect from 8th March, 2021 instead of 7th March, 2021 being holiday (Sunday).

No. FGPC.1/3287/92.—Ms. Kausar Parveen, Charge Nurse (BS-17) of Federal Government Polyclinic, Islamabad was granted leave on full pay with effect from 4th January, 2021 to 3rd February, 2021 (30 days). Now she has resumed duty on 3rd February, 2021 instead of 4th February, 2021 after availing leave.

No. FGPC.1/4937/2010.—Ms. Shehri Shan, Charge Nurse (BS-16) of Federal Government Polyclinic, Islamabad has resumed duty on 28th January, 2021 after availing leave details as under:-

- i. Quarantine leave with effect from 31st December, 2020 to 13th January, 2021 (14 days).
- ii. Medical leave 14th January, 2021 to 18th January, 2021 (5 days)
- iii. Granted extension in leave on medical grounds with effect from 19th January, 2021 to 27th January, 2021 (09 days).

No. FGPC.1/4334/06.—Ms. Shabnam Wiliam, Charge Nurse (BS-16) of Federal Government Polyclinic, Islamabad has resumed duty on 27th February, 2021 after completion of 2 years B.Sc Nursing (Post RN) course relieving period with effect from 26th February, 2020 to 26th February, 2021 (01 year) at Bashir Institute of Health Sciences, Islamabad.

No. FGPC.1/5015/11.—Mr. Mansoor Ahmed, Charge Nurse (BS-16) of Federal Government Polyclinic, Islamabad was granted leave on full pay with effect from 11th January, 2021 to 30th January, 2021 (20 days). Now he has resumed duty on 31st January, 2021 after availing leave.

No. FGPC.1/5040/11.—Ms. Shagufta Rafique, Charge Nurse (BS-16) of Federal Government Polyclinic,

Islamabad was granted leave on full pay with effect from 4th January, 2021 to 17th January, 2021 (14 days). Now she has resumed duty on 18h January, 2021 after availing leave.

No. FGPC.1/4484/06.—Ms. Salma Iftikhar, Charge Nurse (BS-16) of Federal Government Polyclinic, Islamabad has resume duty on 27th February, 2021 after completion of 2 years B.Sc Nursing (Post RN) course relieving period with effect from 26th February, 2020 to 26th February, 2021 (01 year) at Bashir Institute of Health Sciences, Islamabad.

No. FGPC.1/4890/10.—Ms. Rozina Saher, Charge Nurse (BS-16) of Federal Government Polyclinic, Islamabad was granted leave on full pay on medical grounds with effect from 3rd December, 2020 to 17th December, 2020 (15 days). Now she has resumed duty on 18th December, 2020 after availing leave.

No. FGPC.1/4334/06.—Ms. Ambreen Saleem, Charge Nurse (BS-16) of Federal Government Polyclinic, Islamabad has resumed duty on 27th February, 2021 after completion of 2 years B.Sc Nursing (Post RN) course relieving period with effect from 26th February, 2020 to 26th February, 2021 (01 year) at Bashir Institute of Health Sciences, Islamabad.

No. FGPC.1/5175/2015.—Ms. Imrana Rafique, Charge Nurse (BS-16) of Federal Government Polyclinic, Islamabad has resumed duty on 10th February, 2021 after completion of 02 years B.Sc Nursing (Post RN) Training course at College of Nursing (PIMS) Islamabad, Posted in Surgical ICU.

No. FGPC.1/4779/08.—Ms. Shabana Javaid, Charge Nurse (BS-16) of Federal Government Polyclinic, Islamabad was granted leave on full pay on medical grounds with effect from 1st January, 2021 to 25th January, 2021 (25 days). Now she has resumed duty on 25th January, 2021 instead of 26th January, 2021 after availing leave.

DR. FAROOQ AKHTAR,
Deputy Executive Director.

GENERAL HEADQUARTERS FGEI (C/G)
DIRECTORATE

(IGT&E's Branch)

Rawalpindi, the 15th March, 2021

No. 04/6-Gen-2021/02-FGEI(CA).—Absence period with effect from 22nd February, 2021 to 27th February, 2021 (6 days) in respect of Mr. Muhammad Zeeshan Manzoor, Demonstrator (BPS-16) FG Degree College for Boys, Nowshera Cantt. is hereby regularized by granting EOL without pay.

On expiry of above leave, he was expected to resume duty at Nowshera.

MUHAMMAD GHAFFAR, *Lt. Col.*
For Director General.

Rawalpindi, the 15th March, 2021

No. 04/2020-FGEI(B).—Sanction is hereby accorded for the creation of 84 new posts (teaching/non-teaching staff) for establishment of FG Degree College for Boys, Kohat with immediate effect. The posts have been approved by the Government of Pakistan, Planning Commission, Ministry of Planning, Development and Reforms (Public Investment Authorization), Islamabad Letter No. 23(2)PIA-I/TC/2018 dated 10th April, 2018 conveyed *vide* Ministry of Defence U.O. No. 2/55/P&D/2018 dated 17th April, 2018. The detail of sanctioned posts is as under:-

Ser.	Name of Post	No. of Posts
(1)	Gazetted Staff	
a.	Principal (B-20) (Administrative Appointment)	1
b.	Associate Professors (B-19) (Two each in English, Computer Science and One each in Urdu & Islamic Studies)	6
c.	Assistant Professors (B-18) (One each in English, Biology, Mathematics, Chemistry, Urdu and Computer Science)	6
d.	Lecturer (B-17) (Four in English & Three in Computer Science, Physics & Two each in Pakistan Study, Mathematics, Management Sciences & One each in Urdu, Chemistry, Economics, Political Science, History, Statistics, Psychology, Philosophy, Islamic Study, Health & Physical Education)	26
e.	Demonstrator (B-16)	3
f.	Admin Officer (B-17)	1
g.	Bursar (B-16)	1
h.	Librarian (B-17)	1
Total (a)		45

Ser.	Name of Post	No. of Posts
(2)	Non-Gazetted Staff	
a.	Steno Typist (B-14)	1
b.	Accountant (B-14)	2
c.	Library Assistant (B-15)	2
d.	UDC (B-11)	4
e.	Lab Assistant (B-7)	4
f.	LDC (B-9)	4
g.	Driver (B-4)	2
h.	Lab Attendant (B-2)	4
i.	Class-IV (B-1) (5 Naib Qasid, 2 Mali, 3 Chowkidar, 2 Conductor and 4 Sweeper)	16
Total (b)		39
G-Total (a+b)		84

2. The expenditure involved will be met from within the sanctioned budget 2021-22 under Demand No. 40 FGEI (C/G), main Head 19 Federal Government Educational Institutions (Contonment & Garrisons) Schools & Colleges.

NAUMAN ASAD SHEIKH, *Lt. Col.*
For Director General.

Rawalpindi, the 11th March, 2021

No. 04/PF-536/77-FGEI(SA).—Mrs. Masooma Shahzadi, SST, FG Public School (Girls) Attock Cantt. is hereby granted 151 days extension in leave as EOL without pay on medical grounds with effect from 1st November, 2020 to 31st March, 2021.

For FGEI (C/G) ROR only: Next time RO may forward her case for medical board if RO considers her unfit to continue service so that she may be retired on medical grounds.

No. 04/PF-536/77-FGEI(SA).—This Directorate notification of even number dated 12th January, 2021 in respect of Mrs. Masooma Shahzadi, SST FG Public School (Girls) Attock Cantt. may be treated as cancelled.

No. 04/PF-588/77-FGEI(SA).—Dr. Sarwat Sultana Sami, Principal, FG Public School Morgah Rawalpindi Cantt. is hereby granted 50 days leave on full pay with effect from 8th March, 2021 to 26th April, 2021 on private affairs.

On expiry of above leave, she is expected to resume her duty in the same school at Rawalpindi Cantt.

No. 04/PF-609/77-FGEI(SA).—Mrs. Meerab Rohail, DM, FG Public School No. 3 (Boys) Chaklala Cantt. is hereby granted 45 days pre-confinement maternity leave on full pay with effect from 10th March, 2021 to 23rd April, 2021.

On expiry of above leave, she will proceed on post-confinement maternity leave.

No. 04/PF-015/77-FGEI(SA).—Mrs. Bushra Kanwal, EST, FG, Public School No. 1 (Girls) Wah Cantt. is hereby granted 180 days leave as EOL without pay with effect from 20th October, 2020 to 17th April, 2021 on private affairs.

No. 04/PF-947/77-FGEI(SA).—Mrs. Fouzia Akhtar, TGT, FG PS No. 2 (Girls) 2nd Shift Chaklala Cantt. is hereby granted 14 days leave on full pay with effect from 26th November, 2020 to 9th December, 2020 on medical grounds.

Rawalpindi, the 12th March, 2021

No. 04/PF-2379/77-FGEI(SA).—Consequent upon her attaining the age of superannuation on 20th April, 2020, Mrs. Rukhsana Abid, TGT, FG PS No. 4 (Girls) Lahore Cantt. is hereby retired from Government Service with effect from the same date.

She stood retired from Government Service and her name will be struck off the strength of said school with effect from 20th April, 2020 (AN).

This Directorate notification of even number dated 22nd June, 2020 may be treated as cancelled.

No. 04/PF-1606/77-FGEI(M).—Mr. Najeeb Ahmed, PTI, FG Public School No.3 (Boys) Wah Cantt. is hereby granted leave on full pay for 31 days from 1st March, 2021 to 31st March, 2021 on private affairs.

SUNDAS GUL, *Maj.*
For Director General.

HEADQUARTERS, AIRPORTS SECURITY FORCE

Karachi, the 30th March, 2021

No. 3-2146/1999/FS-4/F.—On attaining the age of superannuation *i.e.* 60 years US-2146 Inspector Nasreen Akhtar (F) has retired from Government Service with effect from 11th March, 2021. The officer relinquished charge of the the post of Inspector at ASF Quetta, Airport on 10th March, 2021 (A/N).

No. 3-6457/09/FS-4/F.—Consequent upon her transfer US-6457 Inspector Sadia (F), handed over charge of the post of Inspector at ASF Academy Karachi on 22nd March, 2021 and taken over charge of the same post at ASF Karachi Airport on 22nd March, 2021.

No. 51-1004/2017/FS-4/F.—On attaining the age of superannuation *i.e.* 60 years SF-1004 Assistant Director Parveen Akhtar (F) has retired from Government Service with effect from 25th March, 2021. The officer relinquished charge of the post of Assistant Director at ASF Multan Airport on 24th March, 2021 (A/N).

TANVEER AHMAD,
Deputy Director, A/Force Secretary.

JINNAH POSTGRADUATE MEDICAL CENTRE

Karachi, the 13th March, 2021

No. PF.1-287/SM/Admn.I/JPMC.—Dr. Saima Mushtaq, Assistant Professor (on c,c basis) of this Centre has been granted maternity leave under para-13 of Revised Leave Rules 1980 as under:-

1. 45 days with effect from 16th May, 2020 to 29th June, 2020 (before confinement).
2. 45 days with effect from 30th June, 2020 to 15th August, 2020 (after confinement).

She has resumed her duty on 17th August, 2020 with permission to suffix Sunday *i.e.* 16th August, 2020.

Islamabad, the 15th March, 2021

No. PF.2-439/ASN/Admn.I/JPMC.—Mst. Samina Khan D/o. Mashiur Rehman, Charge Nurse of this Centre has been granted LFP for 21 days with effect from 2nd January, 2021, on medical grounds, subject to title.

She has resumed her duty on 23rd January, 2021.

No. PF.2-467/SN/Admn.I/JPMC.—Mst. Sadaf Nazia, Charge Nurse of this Centre has been ground E.O.L (without pay and allowances) for 8 days with effect from 21st February, 2021 to 28th February, 2021.

She has resumed her duty on 29th February, 2021.

Islamabad, the 17th March, 2021

No. PF.2-217/MK/Admn.I/JPMC.—Mst. Malooka Khatoon D/o. Allah Dino, Charge Nurse of this Centre has been granted LFP for 21 days with effect from 12th February, 2021 to 4th March, 2021, on medical grounds, subject to title.

She has resumed her duty on 5th March, 2021.

No. PF.2-452/FG/Admn.I/JPMC.—Mst. Faiza Ghazal D/o. Butta Masih, Charge Nurse of this Centre has been granted LFP for 7 days with effect from 27th February, 2021 to 5th March, 2021, on medical grounds, subject to title.

She has resumed her duty on 6th March, 2021.

No. PF.2-432/AR/Admn.I/JPMC.—Mr. Abid Rafiq S/o. Muhammad Rafiq, Charge Nurse of this Centre has been granted LFP for 10 days with effect from 18th January, 2021 to 27th January, 2021, subject to title.

He has resumed his duty on 28th January, 2021.

No. PF.2-247/SI/Admn.I/JPMC.—Mst. Saima Iqbal D/o. Zafar Iqbal, Charge Nurse of this Centre has been granted LFP for 7 days with effect from 9th February, 2021 to 15th February, 2021, subject to title.

She has resumed her duty on 16th February, 2021.

No. PF.2-493/NS/Admn.I/JPMC.—Mr. Nadeem S/o. Shamoon, Charge Nurse of this Centre has been granted LFP for 7 days with effect from 15th October, 2020 to 21st October, 2020, subject to title.

He has resumed his duty on 22nd October, 2020.

No. PF.2-308/SA/Admn.I/JPMC.—Mst. Samreena Amber D/o. Munawar Masih, Charge Nurse of this Centre has been granted LFP for 6 days with effect from 4th March, 2021 to 9th March, 2021, subject to title.

She has resumed her duty on 10th March, 2021.

No. PF.2-488/WA/Admn.I/JPMC.—Mr. Waheed Ahmed S/o. Bashir Ahmed, Charge Nurse of this Centre has been granted LFP for 5 days with effect from 22nd February, 2021 to 26th February, 2021, subject to title.

He has resumed his duty on 27th February, 2021.

No. PF.2-318/RN/Admn.I/JPMC.—Mst. Rukhsana Naz D/o. Mukhtar Masih, Charge Nurse of this Centre has been granted LFP for 15 days with effect from 1st December, 2020 to 15th December, 2020, subject to title.

She has resumed her duty on 16th December, 2020.

Karachi, the 24th March, 2021

No. PF.2-282/AA/Admn.I/JPMC.—Mr. Amjad Ali S/o. Muhammad Iqbal, Charge Nurse of this Centre has been granted LFP for 14 days with effect from 9th February, 2021 to 22nd February, 2021, combined with EOL (without pay and allowances) for 10 days with effect from 23rd February, 2021 to 4th March, 2021, subject to title.

He has resumed his duty on 5th March, 2021.

No. PF.2-404/SP/Admn.I/JPMC.—Mst. Sajida Parveen D/o. Muhammad Hanif, Charge Nurse of this Centre has been granted LFP for 8 days with effect from 3rd March,

2021 to 10th March, 2021, on medical grounds, subject to title.

She has resumed her duty on 11th March, 2021.

Karachi, the 31st March, 2021

No. PF.1-297-RS/Admn.I/JPMC.—The unauthorized absent from duty in respect of Dr. Ruqayya Shah, Assistant Professor (on c.c. basis) has been treated as EOL (without pay & allowances) with effect from 5th to 6th March, 2021.

DR. SEEMIN JAMALI, *Tl.*
Executive Director.

NATIONAL INFORMATION TECHNOLOGY BOARD

Islamabad, the 24th February, 2021

No. NITB-1(452)PCB-2010/409.—In pursuance of Ministry of Information Technology & Telecommunication Notification No. F. 4-7/2020-Dev dated 19th February, 2021, Mr. Akhtisar Ali has assumed the charge of the post of Joint Director (BS-19) in the National Information Technology Board (Ministry of Information Technology & Telecommunication) as on 19th February, 2021.

MUHAMMAD ASLAM LASHARI,
Director.

NATIONAL VOCATIONAL AND TECHNICAL TRAINING COMMISSION

Islamabad, the 29th March, 2021

No. F.1-409/2020-Admn/23.—Upon his own request, Mr. Khalid Mehmood, Senior Manager (EPI#10049566) (BS-19) officer of PTCL, presently posted in NAVTTC HQs, Islamabad on deputation basis, is hereby repatriated from NAVTTC with immediate effect to join his parent department *i.e.* PTCL.

This issues with the approval of Executive Director, NAVTTC.

Islamabad, the 31st March, 2021

No. F.1-409/2020-Admn/237.—In pursuance of NAVTTC HQs' Notification No. F.1-409/2020-Admn-231 dated 29th March, 2021 Mr. Khalid Mahmood, a BS-19 officer of PTCL, has relinquished the charge of the post of Director in NAVTTC HQs, on 29th March, 2021.

RIZWANA MALIK,
Assistant Director (Admn-II).

OFFICE OF THE INSPECTOR GENERAL FRONTIER
CORPS BALOCHISTAN

Turbat, the 15th March, 2021

No. 132-37/Prom/63/E-2(Promotion).—Following promotions were ordered in Frontier Corps Balochistan (South), Turbat with effect from the dates noted against each:-

TO BE SUBEDAR MAJOR ON PROBATION PERIOD FOR ONE YEAR

1. No. 9524 Subedar (General Duty) Rahim Gul, Pathan of 148 Wing Taftan Rifles with effect from 31st December, 2020 *vice* No. 11763 Subedar Major (General Duty) Muhammad Kamil Khan, Punjabi of 148 Wing Taftan Rifles proceeded on retiring pension with effect from 30th December, 2020.

TO SUBEDAR ON PROBATION PERIOD FOR ONE YEAR

2. 7607 Naib Subedar (General Duty) Mursalin Khan, Pathan of 165 Wing Mekran Scouts with effect from 26th November, 2020 *vice* No. 18024 Subedar (General Duty) Muhib Ullah, Pathan proceeded on retiring pension with effect from 25th November, 2020.
3. No. 15113 Naib Subedar (General Duty) Almar Khan, Pathan of 165 Wing Mekran Scouts with effect from 10th November, 2020 *vice* No. 28475 Subedar (General Duty) Ashraf Gul, Pathan proceeded on retiring pension with effect from 9th November, 2020.
4. No. 17753 Naib Subedar (General Duty) Saif Ullah, Baloch of 105 Wing Dalbandin Rifles with effect from 2nd December, 2020 (on completion of two years rank service) *vice* No. 28424 Subedar (General Duty) Raziq Dad, Baloch proceeded on retiring pension with effect from 27th October, 2020.
5. No. 7447 Naib Subedar (General Duty) Iftikhar Ahmed, Punjabi of Headquarter Wing Dalbandin Rifles with effect from 19th February, 2021 (on completion of two years rank service) *vice* No. 13200 Subedar (General Duty) Ghulam Abbas, Punjabi proceeded on retiring pension with effect from 16th July, 2019.
6. No. 38055 Naib Subedar (General Duty) Shamsud-Din Baloch of 112 Wing Awaran Militia with effect from 1st March, 2021 (on completion of 16 years service) on existing vacancy.
7. No. 38078 Naib Subedar (General Duty) Ghulam Fakhar-ud-Din Shah, Baloch of 112 Wing Awaran Militia with effect from 1st March, 2021 (on completion of 16 years service) on existing vacancy.

8. No. 13001 Naib Subedar (General Duty) Rashid Ahmed, Baloch of 60 Wing Kharan Rifles with effect from 1st January, 2021 (on completion of two years service) on existing vacancy.
9. No. 1056 Naib Subedar (Vehicle Mechanical) Muhammad Farooq, Punjabi of Headquarter Wing Dalbandin Rifles with effect from 8th September, 2020 (on passing of Advance Leadership Course) *vice* No. 864 Subedar (Vehicle Mechanical) Abdul Rehman, proceeded on retiring pension with effect from 11th June, 2020.
10. No. 1018 Naib Subedar (Vehicle Mechanical) Alamgir, Punjabi of Headquarter Frontier Corps Workshop Company with effect from 8th September, 2020 on existing vacancy of newly raised Headquarter Dasht Scouts.
11. No. 962 Naib Subedar (Electrician) Rashid Ahmed, Baloch of Headquarter Frontier Corps Workshop Company with effect from 10th October, 2020 (on completion of two years rank service) on existing vacancy.
12. No. 38077 Naib Subedar (General Duty) Shamasud-Din Baloch of 167 Wing Taftan Rifles with effect from 1st March, 2021 (on completion of two years service) on existing vacancy.
13. No. 6288 Naib Subedar (General Duty) Tanzil-ur-Rehman, Pathan of 109 Wing Taftan Rifles with effect from 27th October, 2020 (on completion of two years service) *vice* No. 5602 Subedar (General Duty) Tirah Jan, Pathan posted to newly raised 169 Wing Panjgur Rifles with effect from 15th October, 2020.
14. No. 37508 Naib Subedar (General Duty) Yasir Ali, Baloch of 111 Wing Kalat Scouts with effect from 1st March, 2021 (on completion of 16 years service) *vice* No. 17727 Subedar (General Duty) Muhammad Rafique, proceeded on retiring pension with effect from 1st July, 2020.
15. No.18371 Naib Subedar (General Duty) Muhammad Ramzan, Punjabi of Headquarter Wing Kalat Scouts with effect from 5th January, 2021 (on completion of two years service) *vice* No. 17435 Subedar (General Duty) Ghulam Raza, posted to newly raised 164 Wing Panjgur Rifles with effect from 9th September, 2019.
16. No. 12955 Naib Subedar (General Duty) Muhammad Naseer, Baloch of 126 Wing Dalbandin Rifles with effect from 2nd January, 2021 (on completion of two years service) on existing vacancy.
17. No. 9567 Naib Subedar (General Duty) Shakim Khan, Pathan of 142 Special Operaton Wing with effect from 13th February, 2021 on existing vacancy.

18. No. 6338 Naib Subedar (General Duty) Shahid Nadim, Punjabi of 142 Special Operation Wing with effect from 13th February, 2021 on existing vacancy.
19. No. 18559 Naib Subedar (General Duty) Ihsan Ullah Khan, Pathan of 142 Special Operation Wing with effect from 13th February, 2021 on existing vacancy.
- TO BE NAIB SUBEDAR ON PROBATION PERIOD FOR ONE YEAR*
20. No. 35926 Havildar (General Duty) Shah Nawaz, Punjabi of 59 Wing Panjgur Rifles with effect from 19th March, 2020 *vice* No. 12325 Naib Subedar (General Duty) Sher Jan, Punjabi promoted as Subedar with effect from 18th March, 2020.
21. No. 5870 Havildar (General Duty) Waheed Ullah Khan, Pathan of 166 Wing Panjgur Rifles with effect from 1st August, 2020 (on earning of positive Annual Confidential Report for the year 2020) on existing vacancy.
22. No. 14893 Havildar (General Duty) Rahem Dad Khan, Pathan of 165 Wing Mekran Scouts with effect from 10th November, 2020 *vice* No. 15113 Naib Subedar Almar Khan, Pathan promoted as Subedar 10th November, 2020.
23. No. 43310 Havildar (Mechanical Transport) Mazhar Iqbal, Punjabi of 108 Wing Panjgur Rifles with effect from 1st August, 2020 *vice* No. 26261 Subedar (Mechanical Transport) Kora Khan of 108 Wing Panjgur Rifles proceeded on retiring pension with effect from 31st July, 2020.
24. No. 32326 Havildar (Signal) Naz Ali Khan, Pathan of Headquarter Wing Panjgur Rifles with effect from 1st July, 2020 *vice* No. 8659 Subedar (Signal) Abdul Qadir of 68 Wing Panjgur Rifles promoted as Subedar Major from the same date for Kharan Rifles.
25. No. 37834 Havildar (General Duty) Khuda Raham, Baloch of 166 Wing Panjgur Rifles with effect from 20th November, 2020 (on completion of two years rank service) on existing vacancy of newly raised wing 166 Wing Panjgur Rifles with effect from 9th December, 2019.
26. No. 14921 Havildar (General Duty) Muhammad Saeed, Punjabi of Headquarter Wing Kharan Rifles with effect from 1st July, 2020 on existing vacancy of newly raised Headquarter Kharan Rifles.
27. No. 5948 Havildar (General Duty) Ahmed Saeed Khan, Punjabi of 73 Wing Taftan Rifles with effect from 1st May, 2020 on an existing vacancy.
28. No. 8019 Havildar (Signal) Tasawar Abbas, Punjabi of Headquarter Wing Awaran Militia with effect from 7th July, 2020 *vice* No. 4975 Subedar (Signal) Habib Ullah, 140 Wing Awaran Militia proceeded on retiring pension with effect from 6th July, 2020.
29. No. 7977 Havildar (Signal) Muhammad Shafiq, Pathan of Headquarter Wing Taftan Rifles with effect from 17th November, 2020 *vice* No. 7793 Naib Subedar (Signal) Elahi Bakhsh, Baloch of Headquarter Wing Taftan Rifles promoted as Subedar with effect from 16th November, 2020 on existing vacancy.
30. No. 15071 Havildar (Signal) Zain Akbar Khan, Pathan of 148 Wing Taftan Rifles with effect from 5th December, 2020 on existing vacancy *vice* No. 6684 Subedar (Signal) Ghulam Murtaza, 75 Wing Taftan Rifles proceeded on retiring pension with effect from 4th December, 2020.
31. No. 8032 Havildar (Signal) Ali Khan, Pathan of Headquarter Wing Taftan Rifles with effect from 20th January, 2021 *vice* No. 7793 Naib Subedar (Signal) Elahi Bakhsh, Baloch of Headquarter Wing Taftan Rifles placed on Extra Regimental Employment duty with Headquarter Frontier Corps Signal Company from the same date.
32. No. 6287 Havildar (General Duty) Kamal Khan, Pathan of 148 Wing Taftan Rifles with effect from 8th December, 2020 on existing vacancy.
33. No. 33950 Havildar (General Duty) Gul Mat Khan, Pathan of 148 Wing Taftan Rifles with effect from 8th December, 2020 on existing vacancy.
34. No. 40144 Havildar (General Duty) Nazakat Ali, Punjabi of 111 Wing Kalat Scouts with effect from 8th December, 2020 (on passing of Basic Leadership Course) *vice* No. 18453 Naib Subedar (General Duty) Khalid Mehmood, Punjabi promoted as Subedar with effect from 18th January, 2020.
35. No. 18929 Havildar (General Duty) Muhammad Iftikhar, Punjabi of 111 Wing Kalat Scouts with effect from 8th December, 2020 *vice* No. 1745 Naib Subedar (General Duty) Muhammad Ansar, Punjabi proceeded on retiring pension with effect from 4th July, 2020.
36. No. 33507 Havildar (General Duty) Rehmat Ullah, Punjabi of 132 Wing Kalat Scouts with effect from 1st December, 2020 *vice* No. 29193 Naib Subedar (General Duty) Zafar Ullah Khan, Punjabi proceeded on retiring pension with effect from 3rd June, 2020.
37. No. 6562 Havildar (General Duty) Naeem Sarwar, Pathan of 132 Wing Kalat Scouts with effect from 4th December, 2020 *vice* No. 26586 Naib Subedar (General Duty) Hafiz Nazir Ullah, Pathan of 132

- Wing Kalat Scouts promoted as Subedar with effect from 3rd December, 2020.
38. No. 40971 Havildar (Signal) Sana Ullah, Pathan of Headquarter Wing Kalat Scouts with effect from 7th July, 2020 *vice* No. 28319 Subedar (Signal) Zamin Ullah, proceeded on pension retiring with effect from 6th July, 2020.
 39. No. 18851 Havildar (Mounted Infantry) Dil Bad Shah, Punjabi of Headquarter Wing Kalat Scouts with effect from 5th July, 2020 *vice* No. 17415 Naib Subedar (Mounted Infantry) Muhammad Shabir, proceeded on retiring pension with effect from 4th July, 2020.
 40. No. 7532 Havildar (General Duty) Nawar Khan, Pathan of 145 Wing Kharan Rifles with effect from 3rd December, 2020 (on completion of two years rank service) on existing vacancy.
 41. No. 1179 Havildar (Vehicle Mechanical) Ghulam Shabir, Punjabi of Headquarter Wing Kharan Rifles with effect from 9th September, 2020 *vice* No. 1014 Naib Subedar (Vehicle Mechanical) Muhammad Farooq, Punjabi of Headquarter Wing Dalbandin Rifles promoted as Subedar with effect from 8th September, 2020.
 42. No. 7960 Havildar (Mounted Infantry) Nasar Mehmood, Punjabi of Headquarter Wing Dalbandin Rifles with effect from 2nd July, 2020 *vice* No. 27177 Naib Subedar (Mounted Infantry) Anis Raza Khan, promoted as Subedar with effect from 1st July, 2020.
 43. No. 31747 Havildar (General Duty) Ghazi Jan, Pathan of 109 Wing Taftan Rifles with effect from 28th October, 2020 *vice* No. 6288 Naib Subedar (General Duty) Tanzil-ur-Rehman, Pathan promoted as Subedar with effect from 27th October, 2020.
 44. No. 12865 Havildar (General Duty) Parveez Khan, Pathan of 167 Wing Taftan Rifles with effect from 8th December, 2020 (on passing of Basic Leadership Course) *vice* No. 17925 Naib Subedar (General Duty) Khan Muhammad, Pathan promoted as Subedar with effect from 1st September, 2020.
 45. No. 35399 Havildar (General Duty) Jamil Khan, Pathan of 145 Wing Kharan Rifles with effect from 3rd December, 2020 (on completion of two years ranks service) on existing vacancy.
 46. No. 6104 Havildar (General Duty) Muhammad Hanif Raja, Baloch of 125 Wing Dasht Scouts with effect from 10th November, 2020 (on completion of two years rank service) on existing vacancy.
 47. No. 34532 Havildar (General Duty) Jahangir Ahmed, Baloch of 125 Wing Dasht Scouts with effect from 10th November, 2020 (on completion of two years rank service) on existing vacancy.
 48. No. 30545 Havildar (General Duty) Ajab Noor, Pathan of 168 Wing Mekran Scouts with effect from 9th March, 2020 on existing vacancy.
 49. No. 6640 Havildar (General Duty) Muhammad Silab, Pathan of 168 Wing Mekran Scouts with effect from 5th June, 2020 *vice* No. 31824 Naib Subedar (General Duty) Sain Gul, Pathan promoted as Subedar with effect from 4th June, 2020.
 50. No. 32836 Havildar (General Duty) Ghulam Mustafa, Punjabi of 140 Wing Awaran Militia with effect from 8th December, 2020 (on passing of Basic Leadership Course) *vice* No. 14551 Subedar (General Duty) Muhammad Fiaz, Punjabi posted to newly raised 169 Wing Panjgur Rifles with effect from 15th October, 2020.
 51. No. 12716 Havildar (General Duty) Riaz Hussain, Pathan of 140 Wing Awaran Militia with effect from 8th December, 2020 (on passing of Basic Leadership Course) *vice* No. 4849 Subedar (General Duty) Rasheed Murtaza, Punjabi of 140 Wing Awaran Militia proceeded on retiring pension with effect from 10th August, 2020.
 52. No. 31208 Havildar (General Duty) Shariat Ullah, Pathan of 140 Wing Awaran Militia with effect from 8th December, 2020 (on passing of Basic Leadership Course) on existing vacancy.
 53. No. 31638 Havildar (Signal) Nazeer Ahmed, Baloch of Headquarter Wing Awaran Militia with effect from 8th December, 2020 (on passing of Basic Leadership Course) *vice* No. 13009 Subedar (Signal) Gohar Iqbal of 112 Wing Awaran Militia proceeded on retiring pension with effect from 25th November, 2020.
 54. No. 44462 Havildar (General Duty) Muhammad Naseem, Baloch of 140 Wing Awaran Militia with effect from 20th June, 2020 (on completion of two years rank service) on existing vacancy.
 55. No. 9804 Havildar (General Duty) Haq Nawaz, Punjabi of 68 Wing Panjgur Rifles with effect from 1st August, 2020 (on completion of two years rank service) on existing vacancy.
 56. No. 8000 Havildar (General Duty) Muhammad Irfan, Punjabi of 56 Wing Dalbandin Rifles with effect from 10th July, 2020 *vice* No. 15255 Naib Subedar (General Duty) Nasir Mehmood, Punjabi of 56 Wing Dalbandin Rifles with effect from promoted as Subedar with effect from 9th July, 2020.
 57. No. 33007 Havildar (General Duty) Nabi Bakhsh, Baloch of Headquarter Wing Dalbandin Rifles with

effect from 2nd December, 2020 (on completion of two years rank service) *vice* No. 12497 Naib Subedar (General Duty) Jamal Khan, Baloch of Headquarter Wing Dalbandin Rifles promoted as Subedar with effect from 25th November, 2019.

58. No. 7984 Havildar (General Duty) Ijaz Hussain Shah, Punjabi of 133 Wing Dasht Scouts with effect from 8th December, 2020 (on passing of Basic Leadership Course) on existing vacancy.

59. No. 6516 Havildar (General Duty) Muhammad Farooq, Pathan of 141 Wing Mekran Scouts with effect from 8th December, 2020 (on passing of Basic Leadership Course) on existing vacancy.

MUHAMMAD SHOAIB, *Lieutenant Colonel,*
for Inspector General.

OFFICE OF THE INSPECTOR GENERAL OF POLICE

[NATIONAL HIGHWAYS & MOTORWAY POLICE]

Islamabad, the 2nd February, 2021

No. NHMP-1(21)/Addl.IG(NR)/2021/173.—Consequent upon transfer from NHMP Training College, Sheikhpura to North Region *vide* Central Police office's Notification No. NHMP-10(01)/2021/HRM/SPO/244, dated 29th January, 2021, IP/SPO Rao Muhammad Sajjad (S-881) is hereby transferred/posted to Motorway Zone with immediate effect and until further orders.

The above mentioned officer is directed to report at his new place of posting immediately.

ABBAS HUSSAIN MALICK, *PSP.*
Additional Inspector General.

Multan, the 1st December, 2020

No. NHMP/DIG/M-5/OSI/2020/1349.—DSP/CPO Mr. Tariq Ali Abbasi (BPS-17), presently posted at Beat-30, Rohri as Beat Commander in Sector-II, Sukkur (M-5) is hereby granted 5 days casual leave with effect from 2nd December, 2020 in connection with his some domestic issues, Acting DSP/CPO Beat-29, Ghotki Mr. Khurram Abbas shall look after the beat affairs of Beat-30 during leave of the said officer.

This issues is pursuance of the delegation of administrative powers issued by the Central Police Office, (NHMP), Islamabad *vide* DIG (HQs) Office Order No. NH&MP-3(7)/2012/Leave-Policy/Estt/1559 dated 31st December, 2014.

MASROOR ALAM KOLACHI, *PSP.*
DIG/Zonal Commander.

Islamabad, the 8th February, 2021

No. NHMP-1(2)/OSI-M/21-227.—Consequent upon transfer to Motorway Zone *vide* Additional Inspector General (North Region) Office Notification No. NHMP-1(21)Addl.IG(NR)/2021/85 dated 18th January, 2021, Ms. Kaneez Ummul Baneen, Accountant (BS-16) is hereby posted at M-2 North with immediate effect and till further orders.

ISHFAQ AHMED, *PSP.*
Deputy Inspector General.

Islamabad, the 1st February, 2021

No. NH&MP-70(2)/2020/80.—In pursuance of Section Officer (Admn-I), Ministry of National Food Security and Research, Islamabad, Letter No. F.2/2001-Admn-I dated 30th December, 2020, the services of Mr. Iftikhar Ahmed, Assistant Private Secretary (BS-16) of Ministry of National Food Security and Research, Islamabad are hereby taken in National Highways & Motorway Police (NHMP) on deputation basis against the vacant post of Assistant Private Secretary (BS-16) for an initial period of three (03) years with effect from the date of joining NHMP *i.e.* 19th January, 2021.

2. The terms and condition for deputation in National Highways & Motorway Police are as under:-

- i) The officer will *abide* by all rules & regulations, norms, conduct discipline and SOPs. In case of violation, he shall be liable to be repatriated prematurely.
- ii) This deputation will not entitle the officer for induction/permanent absorption and he will not claim for induction in NHMP due to this deputation as his right.
- iii) The officer will not claim for extension in deputation period beyond three (03) years initial deputation period, as his right. However, his deputation period can only be extended beyond initial 03 years, on the recommendations of the supervisory officers and subject to receipt of satisfactory performance/ conduct/discipline report.
- iv) In case, the officer is promoted in his parent department, he shall be repatriated to parent department to actualize promotion.
- v) Upon filling-up to the post as prescribed in NHMP APT Rules or completion of initial/maximum deputation period, the said officer will immediately be repatriated to his parent department and he will not claim for continue serving on deputation in NHMP on any grounds.

- vi) He will retain his seniority in his parent department. This deputation shall not entitle him to any claim of seniority *etc.* when reverted to his parent department.
- vii) The officer can be repatriated to his parent department in his substantive grade *i.e.* Assistant Private Secretary (BS-16) and relevant pay & allowances until or otherwise promoted in his parent department.
- viii) Other terms of deputation shall be in accordance with the Establishment Division Rules on the subject, as in vogue or amended from time to time.

3. The Finance Division (Regulation Wing) has approved the following terms and conditions for the deputationist *vide* their O.M. No. F.3(20)/R.3/96/1022 dated 5th August, 1997:-

- (i) Deputation Allowance:- 20% of maximum of basic pay held by deputationist in his parent department subject to concurrence of the lending department.
- (ii) House Rent Ceiling:- The deputationist not provided official residential accommodation by his parent department may be allowed House Rent Ceiling as prescribed for specified stations other than Islamabad *vide* Housing and Works Division letter No. F.4/8/2-EV dated 25th July, 1996.
- (iii) The deputationist already provided official residential accommodation by his parent department may retain the accommodation for the period of his deputation and will be reimbursed the amount of House Rent deduction (5% of pay to make it rent free accommodation).

3. This is issued with the approval of Inspector General of Police, NHMP.

No. NH&MP-7(24)/2008/81.—Upon joining NHMP on deputation basis Mr. Iftikhar Ahmed, Assistant Private Secretary (BS-16) of Ministry of National Food Security & Research, is hereby posted in South Region (West Zone) NHMP. with effect from 19th January, 2020 (the date of joining NHMP) and until further orders.

The officer will draw his salary from the budget allocation of M-4 Zone against the vacant post of Assistant Private Secretary (BS-16) with effect from date of joining NHMP *i.e.* 19th January, 2021.

The officer will be retained at CPO-HQ, Islamabad for one month orientation course with effect from 19th January, 2021. Upon completion of the said period, he shall report to South Region within actual permissible travelling time.

This is issued with the approval of Inspector General, NHMP.

Islamabad, the 3rd February, 2021

No. NH&MP-201(290)/PF/Doctor/2020/90.—In pursuance of Para-1.2 (e) and Para-6 (j) of NHMP Policy for Medical Attendance 2018 notified *vide* S.R.O 1181(I)/2020 dated 27th October, 2020, Dr. Muhammad Mustafa Alam, Doctor (BS-18) of National Highways & Motorway Police is hereby re-designated as Chief Medical Officer, NHMP to exercise the powers of Civil Surgeon to the extent of NHMP employees.

This is issued with the approval of Inspector General, NHMP.

No. NH&MP-201(290)/PF/Doctor/2020/91.—In pursuance of Para-1.2 (e) and Para-6 (j) of NHMP Policy for Medical Attendance 2018 notified *vide* S.R.O. 1181(I)/2020 dated 27th October, 2020, Dr. Riffat Saleem, Doctor (BS-18) of N-5 (North) Zone, NHMP is hereby re-designated as Chief Medical Officer (North Headquarter Zone) to exercise the powers of Civil Surgeon to the extent of employees of North Region.

This is issued with the approval of Inspector General, NHMP.

No. NH&MP-10(3)/Posting/PSP/2021/284.—The Inspector General, National Highways & Motorway Police has been pleased to approve the following transfers/postings with immediate effect and until further orders:-

- a) Upon joining NHMP, Mr. Javed Ali Mahar, PSP/DIG (BS-20) is hereby posted as DIG/Zonal Commander, West Zone, NHMP, Quetta.
- b) Mr. Ali Sher Jakhrani, PSP/SSP (BS-19) acting charge, presently posted as Acting DIG/Zonal Commander, West Zone, NHMP is hereby transferred and posted as Acting DIG/Zonal Commander, N-5 South Zone, NHMP, Karachi, in his own pay & scale/rank. The officer is authorized to execute all financial and administrative powers of the post of DIG/Zonal Commander, N-5 South Zone, NHMP, Karachi as admissible to a permanent incumbent.

This is issued with the approval of Inspector General, NHMP.

No. NH&MP-42(7)/2021/HRM/SPO/280.—SPO Muhammad Aslam currently serving in NHMP on deputation basis and posted in NHMP Training College, Sheikhpura is hereby repatriated from National Highways & Motorway Police (NHMP) to his parent department *i.e.* Punjab Police in his substantive rank and relevant pay & allowances, on completion of maximum deputation period and on his own request.

The above named officer shall be relieved by Zonal Office *vide* Daily Diary (Roznamcha) maintained at Zonal office wherein directions be conveyed to concerned

Sector/Beat Commander for his formal relieving. However, LPC be issued after receipt of uniform articles, Arms & Ammunition and departmental E-Card issued to the officers and clearance from all concerned sections including R&W Fund.

This is issued with the approval of Inspector General of Police, NHMP.

No. NH&MP-42(7)/2021/HRM/SPO/283.—SPO Bashir Ahmed currently serving in NHMP on deputation basis and posted in West Zone is hereby repatriated from National Highways & Motorway Police (NHMP) to his parent department *i.e.* Balochistan Police in his substantive rank and relevant pay & allowances, on premature basis, on his own request and to actualize promotion as DSP (BS-17) in his parent department *i.e.* Balochistan Police.

The above named officer shall be relieved by Zonal Office *vide* Daily Diary (Roznamcha) maintained at Zonal office wherein directions be conveyed to concerned Sector/Beat Commander for his formal relieving. However, LPC be issued after receipt of uniform articles, Arms & Ammunition and departmental E-Card issued to the officers and clearance from all concerned sections including R&W Fund.

This is issued with the approval of Inspector General of Police, NHMP.

No. NH&MP-47(5)/2021/HRM/IP/SPO/285.—In pursuance of Deputy Commandant, National Police Academy (NPA), Islamabad office letter No. F.NPA/2-3/2020 dated 18th January, 2021, IP/SPO Rizwana Sadiq, S-985 of National Highways & Motorway Police (NHMP), presently posted in N-5 (North) Zone is hereby relieved from NHMP to join National Police Academy (NPA), Islamabad on deputation basis for a period of three years, on standard terms and conditions.

Upon completion of three years deputation period, the said officer shall report back at his previous posting zone in NHMP *i.e.* N-5 (North) Zone.

The formal relieving order of the officer from N-5 (North) Zone will be issued after observing all codal formalities as well as clearance from all section including R&W Fund.

This is issued with the approval of Inspector General of Police, NHMP.

ARSLAN MUSHTAQ,
Deputy Director (HRM).

PAKISTAN BUREAU OF STATISTICS

Islamabad, the 22nd March, 2021

No. FBS.Admn-III.P.4(596)/86-387.—Consequent upon his promotion from the Post of Statistical Assistant (BS-16) to the post of Statistical Officer (BS-17) *vide* this Bureau's Notification No. PBS.RS.4(14)/2018-P-50 dated 28th January, 2021, Mr. Muhammad Amjad Hassan, PBS, F/O. Jhang has assumed the charge of the post of Statistical

Officer (BS-17), on 8th December, 2020 at Pakistan Bureau of Statistical, Field Officer, Jhang.

Islamabad, the 26th March, 2021

No. 5(103)/89-PCO(Admn)-403.—Having exercised the option for encashment of his leave preparatory to retirement in terms of Rule-18-A of the Revised Leave Rules, 1980 amended *vide* Finance Division's S.R.O.70(KE)/2012 dated 29th August, 2012 and with the approval of Member (RM) Mr. Asif Saleem, Assistant Census Commissioner (BS-17), Pakistan Bureau of Statistics, Karachi is granted 365 days encashment (in lieu of LPR) with effect from 1st April, 2021 to 31st March, 2022.

No. 5(103)/89-PCO(Admn)-403.—With the approval of Member (RM), Mr. Asif Saleem, Assistant Census Commissioner (BS-17), Pakistan Bureau of Statistics, Karachi shall stand retired from Government Service on attaining the age of superannuation on 31st March, 2022 (His date of birth is 1st April, 1962).

No. PBS.IBD.A-III(1501)/2021-404.—With the approval of Member (RM), Mr. Khadim Hussain Soomro, Statistical Officer (BS-17), Pakistan Bureau of Statistics, Regional Office, Sukkur shall stand retired from Government Service on attaining the age of superannuation on 28th February, 2022 (His date of birth is 1st March, 1962).

No. PBS.IBD.A-III(1501)/2021-404.—Having exercised the option for encashment of his leave preparatory to retirement in terms of Rule 18-A of the Revised Leave Rules, 1980 amended *vide* Finance Division's S.R.O.70(KE)/2012 dated 29th August, 2012 and with the approval of Member (RM) Mr. Khadim Hussain Soomro, Statistical Officer (BS-17), Pakistan Bureau of Statistics, Regional Office, Sukkur is granted 365 days encashment (in lieu of LPR) with effect from 1st March, 2021 to 28th February, 2022.

Islamabad, the 29th March, 2021

No. PBS.IBD.Admn-III.P(1444)/2020-409.—Consequent upon his transfer from Pakistan Bureau of Statistics, Regional Office, Mingora to Pakistan Bureau of Statistics, Regional Office, Peshawar *vide* this Bureau's Notification No. PBS.RS.4(7)/2012-156 dated 9th March, 2021, Mr. Naveed Gul, Chief Statistical Officer (BPS-18) has relinquished the charge of the post of Chief Statistical Officer (BPS-18) from PBS, RO, Mingora on 11th March, 2021 and assumed the charge of the same post on 12th March, 2021 at Pakistan of Statistics, RO, Peshawar.

No. FBS.FS.P.3(59)/99-407.—Mr. Naimat Ullah S/o. Gul Azam Khan has been retired as Statistical Officer (BS-17), from Pakistan Bureau of Statistics, Regional Office, Bannu, from Government Service on attaining the age of superannuation on 31st December, 2020. (His date of birth is 1st January, 1961).

This supersedes this Bureau's Office Order of even number dated 3rd February, 2020.

SAFIA BEGUM,
Statistical Officer (Admn-III).

Lahore, the 24th March, 2021

No. F.5/1-1785/Estt-IV.—Consequent upon his transfer from Pakistan Bureau of Statistics, Headquarters, Islamabad to Pakistan Bureau of Statistics, Provincial Office, Lahore, conveyed *vide* PBS HQ, Islamabad's Notification No. PBS.RS.4(2)/2014-T-173 dated 18th March, 2021, Dr. Amjad Javaid has assumed charge of the post of Agricultural Census Commissioner (BS-20) on 19th March, 2021 at Pakistan Bureau of Statistics, Provincial Office, Lahore.

Lahore, the 29th March, 2021

No. F.5/1-1139/Estt-III.—Consequent upon approval of Secretary, Ministry of Planning, Development & Special Initiatives, conveyed by Pakistan Bureau of Statistics HQ, Islamabad *vide* Notification No. PBS.R.4(01)/2018-175 dated 18th March, 2021, Mr. Abdul Razzaque, Assistant Agricultural Census Commissioner (BS-18) on current charge basis at Pakistan Bureau of Statistics (ACO Wing), Lahore with effect from 15th March, 2021 for three months or the post is filled on regular basis or till date of superannuation of Officer, whichever is earlier.

MUHAMMAD NAVEED ASIF MIRZA,
Deputy Agricultural Census Commissioner (Admn).

Karachi, the 30th March, 2021

No. FBS.AP.P-17(24)/2021-324.—In pursuance of Ministry of Planning, Development & Special Initiatives, Islamabad's Notification No. 7(108)HRM-V/PD&SI/87 dated 19th March, 2021 and with the approval of Secretary, Ministry of Planning & Development & Special Initiatives/Chief Statistician, the services of Mr. Azeem Baig, Assistant Private Secretary (BS-16) are placed at the disposal of Pakistan Bureau of Statistics, Karachi on deputation basis for a period of three years, conveyed *vide* PBS, HQ, Islamabad's Office Notification No. PBS.RS.5(45)/20-D-187, dated 22nd March, 2021.

Mr. Azeem Baig, Assistant Private Secretary (BPS-16) has assumed the charge of the same post on 29th March, 2021 at Pakistan Bureau of Statistics, Karachi.

FARZANA SIDDIQUE,
Superintendent (Admn-I).

Islamabad, the 3rd March, 2021

No. PBS.URAF.FMO/1(64)2021-189.—Having acceptance the offer of appointment on the terms and conditions as specified in this Bureau's Offer Letter No. PBS.URAF(30)/2019 dated 8th March, 2021 and with the approval of Secretary, M/o. PD&SI, Mr. Nadeem Raza has been appointed as Field Monitoring Officer (BPS-17) on *lump-sum* payment of Rs.90,000/- (Ninety Thousands only) under Development Project titled "Updation of Rural Area Frame for conduct of Censuses/Survey's" in Pakistan Bureau of Statistics (H.Q), Islamabad with effect from 15th March, 2021 for a period of (15th March, 2021 to 30th June, 2021) which can further be extended to another terms upon satisfactory performance.

Other terms & conditions of his appointment will be same as applicable to other project employees.

SHEIKH MUHAMMAD SADIQ,
Project Coordinator (URAF).

PAKISTAN INSTITUTE OF MEDICAL SCIENCES

Islamabad, the 10th March, 2021

No. F.1-14/2019-MO(Admin)IH.—Dr. Hina Bukhari, Medical Officer (BS-17) has been 90 days leave with full pay with effect from 2nd December, 2020 to 1st March, 2021.

No. F.1-14/2019-MO(Admin)IH.—Dr. Hassan Shafqat, Medical Officer (BS-17) has been granted 14 days leave with full pay with effect from 17th February, 2021 to 2nd March, 2021 on medical grounds.

Islamabad, the 12th March, 2021

No. F.1-14/2019-MO(Admin)IH.—Dr. Ammara Gul, Medical Officer (BS-17) has been granted 32 days leave with full pay with effect from 27th January, 2021 to 27th February, 2021.

No. F.1-14/2019-MO(Admin)IH.—Dr. Afsa Ahmed Awan, Medical Officer (BS-17) has been granted 24 days leave with full pay with effect from 18th March, 2021 to 10th April, 2021

DR. MINHAJ-US-SIRAJ,
Joint Executive Director.

Islamabad, the 10th March, 2021

No. F.1-14/2019-MO(Admin)IH.—Dr. Harpal Kumar, Medical Officer (BS-17) has been granted 22 leave with full pay with effect from 22nd February, 2021 to 15th March, 2021.

This issues with the approval of competent authority.

No. PF.007/Psy/(Admin)-IH/PIMS.—In pursuance of Finance Division O.M. No. F.3(6)Imp/2016-336 dated 1st July, 2016. Ms. Asima Mehboob Khan, Psychologist (BPS-17) is hereby allowed to draw M.Phil Allowance @ 25% of the existing amount of Ph.D Allowance (*i.e.* Rs.2500/- per month).

This issues with the approval of competent authority.

Islamabad, the 12th March, 2021

No. F.1-14/2019-ADS(Admin)IH.—Dr. Ayma Khan, Medical Officer (BS-17) has been granted 90 days maternity leave with full pay with effect from 20th December, 2020 to 19th March, 2021.

This issues with the approval of competent authority.

No. F.1-14/2019-MO(Admin)IH.—Dr. Muhammad Farrukh Bhatti, Medical Officer (BS-17) has been granted 15 days leave with full pay with effect from 9th March, 2021 to 24th March, 2021.

DR. M. ZULFIQAR GHOURI,
Deputy Executive Director.

[MOTHER & CHILD HEALTH CENTRE]

Islamabad, the 15th March, 2021

Islamabad, the 8th March, 2021

No. PF.4-13(SN)MCH/Admin.—Dr. Sadia Nasir Kayani, Medical Officer of MCH, Centre is hereby granted 7 days leave with full pay with effect from 15th February, 2021 to 21st February, 2021 on medical grounds.

No. PF.2-93(NA)/87-CH(Admin).—Prof. Nadeem Akhtar, Professor of Paeds Surgery (BPS-20), Children Hospital is hereby granted 10 days leave with full pay with effect from 15th March, 2021 to 24th March, 2021.

This issues with the approval of competent authority.

Islamabad, the 9th March, 2021

No. PF.2-756(MA)/2019-CH(Admin).—Dr. Maryam Asif, Assistant Dental Surgeon/Medical Officer (BPS-17), Children Hospital is hereby granted 14 days leave with full pay with effect from 25th February, 2021 to 10th March, 2021.

Islamabad, the 10th March, 2021

No. F.1-1(Gen)MCH/Admin.—Dr. Shubana Tabasum, Medical Officer of IH Working in MCH, Centre is hereby granted 10 days leave with full pay with effect from 20th February, 2021 to 1st March, 2021. She will resume her duty on 2nd March, 2021.

PROF. DR. M. AMJAD CHAUDHARY,
Joint Executive Director.

Islamabad, the 10th March, 2021

No. PF.7-63(BH)-MCH/Admin.—Mst. Bibi Hafiza, Charge Nurse of MCH Centre has been granted 9 days leave with full pay 2nd March, 2021 to 10th March, 2021. She will resume her duty on 11th March, 2021 on same place. Her personal No. 50056159.

Islamabad, the 13th March, 2021

No. PF.7-74(SP)MCH/Admin.—Ms. Shahida Parveen, Charge Nurse of MCH, Centre is hereby granted 7 days leave with full pay with effect from 17th March, 2021 to 25th March, 2021. She will resume her duty on same place on 26th March, 2021. Her personal number is 50159879.

No. PF.7-27(SA)MCH/Admin.—Ms. Shazana Azad, Charge Nurse of MCH, Centre is hereby granted 7 days leave with full pay with effect from 9th March, 2021 to 15th March, 2021 She will resume her duty on same place on 16th March, 2021. Her personal number is 50057714.

No. PF.7-26(RS)MCH/Admin.—Ms. Riffat Shaheen, Charge Nurse of MCH, Centre is hereby granted 10 days leave with full pay with effect from 1st March, 2021 to 10th March, 2021. She will resume her duty on same place on 11th March, 2021. Her personal number is 50024208.

No. F.1-1(Gen)MCH/Admin.—Ms. Sumera Kousar, Charge Nurse of IH Working in MCH, Centre is hereby granted 14 days leave with full pay with effect from 4th March, 2021 to 17th March, 2021. She will resume her duty on 18th March, 2021.

DR. NASREEN BUTT,
Deputy Director MCH.

PAKISTAN METEOROLOGICAL DEPARTMENT

Islamabad, the 24th March, 2021

No. E-16(929)/185.—Miss Farida Khanum, Administrative Officer (BS-17) Met. HQs Islamabad has been granted 12 days leave on full pay from 15th February, 2021 to 26th February, 2021 with prefix Saturday & Sunday holidays falling on 13th February, 2021 & 14th February, 2021 and suffix Saturday & Sunday Holidays falling on 27th February, 2021 & 28th February, 2021.

On expiry of leave, Miss. Farida Khanum, Administrative Officer (BS-17), resumed duty at the same station on 1st March, 2021.

Islamabad, the 29th March, 2021

No. E-16(677)/201.—Mr. Saqib Hussain, Deputy Director (BS-18), Flood Forecasting Division, Lahore has been granted 15 days Rest & Recreation Leave in lieu of 10 days LFP from 19th February, 2021 to 5th March, 2021 with suffix Gazetted holidays falling on 6th March, 2021 and 7th March, 2021, subject to admissibility.

On expiry of leave, Mr. Saqib Hussain, Deputy Director (BS-18), resumed duty at the same station on 8th March, 2021.

No. E-16(831)/295.—Mr. Rafaquat Ali, Assistant Private Secretary (BS-16) Met. HQs Islamabad has been granted 10 days leave on full pay from 30th December, 2021 to 8th January, 2021.

On expiry of leave, Mr. Rafaquat Ali, Assistant Private Secretary (BS-16), resumed duty at the same station on 11th January, 2021.

Islamabad, the 31st March, 2021

No. E-16(538)/II/369.—Mr. Muhammad Arif, Deputy Chief Administrative Officer (BS-18), Met. HQ's Office, Islamabad has been granted 15 days Rest & Recreation Leave in lieu of 10 days LFP from 15th March, 2021 to 29th March, 2021 with prefix Gazetted holidays falling on 13th March, 2021 and 14th March, 2021 subject to admissibility.

On expiry of leave, Mr. Muhammad Arif, Deputy Chief Administrative Officer (BS-18), resumed duty at the same station on 30th March, 2021.

MUHAMMAD SHOAIB,
Administrative Officer (Estab).

Karachi, the 22nd March, 2021

No. E-16(41)/2021/K/324.—Mr. Khalid Habib, Assistant Programmer (BPS-16) NMCC, Met. Headquarters camp office Karachi, has been granted 15 days Rest & Recreation Leave in lieu of 10 days LFP with effect from 22nd February, 2021 to 8th March, 2021 with permission prefix Saturday and Sunday on 20th February, 2021 to 21st February, 2021 (respectively) subject to admissibility.

On expiry of leave, Mr. Khalid Habib, Assistant Programmer (BPS-16) resumed duty at the same station on 9th March, 2021.

ATTIQ-UR-REHAMAN,
Superintendent (Admin).

Therefore, the Authority *viz* Secretary, Ministry of Communications, Government of Pakistan, in exercise of the powers vested in him under Rule-5(1)(iv) of Government Servants (E&D) Rules, 1973 has decided to impose major penalty of "Dismissal from Service" as prescribed in Rule-4(1)(b)(iv) of the said rules, upon Mr. Ahmed Mehmood, a BPS-17 officer of Postal Group with immediate effect.

Mr. Ahmed Mehmood shall have a right of appeal to the Appellate Authority under Rule 5(4) of the Civil Servants (Appeal) Rules, 1977 within a period of 30 days of the communication of the order.

EJAZ AHMED MINHAS,
Director General.

PAKISTAN POST

[OFFICE OF THE DIRECTOR GENERAL PAKISTAN POST]

Islamabad, the 24th March, 2021

No. Disp.5-4/2016.—Whereas, Mr. Ahmed Mehmood, a BPS-17 officer of Postal Group, while working as Manager, Express Post Centre Quetta, failed to perform his legitimate duties as per rules & procedure which facilitated Mr. Minthar Ali, ex-Clerk Express Post Centre, Quetta GPO to commit misappropriation of Rs. 6,713,450/- in payment of Express Money Order at Quetta GPO, Accordingly, disciplinary action was initiated against him by serving Charge Sheet alongwith Statement of Allegations *vide* memo dated 25th April, 2016 and Mr. Mujeeb-ur-Rehman Kakar, Chief Postmaster Quetta GPO was appointed as Inquiry Officer under Rule-5(1)(ii) of Government Servants (E&D) Rules, 1973.

Whereas, the Inquiry Officer submitted his report on 2nd August, 2016 wherein the inquiry officer reached the conclusion that "almost all the allegations leveled against Mr. Ahmed Mehmood stand proved". Accordingly, on the basis of inquiry report, a show cause notice was issued to the accused officer on 26th September, 2016. The accused officer submitted his written defense reply dated 13th October, 2016 and also appeared before the Authorized Officer for personal hearing on 7th November, 2016. On receipt of his written defense the case was examined by the Authorized Officer who reached the conclusion that the charges of inefficiency and misconduct stood proved against the accused officer and he deserved to be imposed one of the major penalties. Accordingly, the case was referred to the Authority for imposition of major penalty upon the accused officer *vide* memo dated 9th November, 2016.

Whereas, he was heard in person by the authority *viz* Secretary Ministry of Communications on 21st January, 2021. After through examination of the facts and record of the case, findings of the Inquiry Officer and during personal hearing, it was observed by the Authority *viz* Secretary, Ministry of Communications that the charges of "Inefficiency and Misconduct" as mentioned in the Charge Sheet stand proved against Mr. Ahmed Mehmood.

[OFFICE OF THE POSTMASTER GENERAL KHYBER PAKHTUNKHWA CIRCLE]

Peshawar, the 19th March, 2021

No. Staff/DPC-1/2020.—Having been recommended by the Departmental Promotion Committee in its meeting held on 13th January, 2021 at Circle Office, Peshawar and duly approved by the Competent Authority, Mr. Khaliq Dad, ASPOs (BPS-14) Haripur North Sub-Division, is hereby temporarily promoted to BPS-16 (Postal Group) in terms of ESTA Code 2015, SI. No. 27.5(2) & posted as Senior Postmaster (BPS-16) Karak GPO against the temporary vacant post vacated by Mr. Bedar Muhammad Khan due to his transfer to the Directorate General, Pakistan Post, Islamabad *vide* Director General, Pakistan Post, Islamabad memo No. S.5-1/2000-VIII dated 26th November, 2020, therefore, Mr. Khaliq Dad will be reverted to the cadre of ASPOs (BPS-14) Haripur North Sub-Division, in case Mr. Bedar Muhammad Khan is transferred back to this Circle.

The above named promoted officer will be on probation for a period of one (01) year from the date he actually assumes charge of the post of Senior Postmaster (BPS-16). This period may be further extended by another one year, if considered necessary by the competent authority in terms of Rules-21(1)(2) and (4) of the Civil Servants (Appointment, Promotion and Transfer) Rules, 1973.

SYED SHOAB ALI JAFFRI,
Postmaster General.

PAKISTAN PUBLIC WORKS DEPARTMENT

Islamabad, the 22nd March, 2021

No. AI-717/700(1353).—Consequent upon his transfer *vide* this office, office order of even number dated 26th February, 2021, Mr. Khurshid Ahmed Mirza, took over charge to the post of Executive Engineer, Central Civil Division-I, Pak. PWD, Lahore from Mr. Arif Rasool, Executive Engineer on 1st March, 2021.

No. AI-717/700(2019).—In pursuance of Ministry of Finance and Revenue (Finance Division) (Regulation

Wing)'s Notification SRO 70(KE)/2012, dated 29th August, 2012, the competent authority has been pleased to accept the option for encashment in lieu of LPR exercised by Mr. Abdul Waheed, Assistant Executive Engineer (Civil) (BS-17) Pak. PWD, Multan and is hereby sanctioned 365 days leave salary for the period from 12th April, 2021 to 11th April, 2022 subject to condition as laid down in the Finance Division's notification referred to above.

He will retire from Government Service on the afternoon of 11th April, 2022 on attaining the age of superannuation (being date of birth 12th April, 1962).

Islamabad, the 29th March, 2021

No. AI-717/700(2177).—Pursuant to this office order No. AI-717/700(42)/Supdt-Promotion/2020, dated 12th March, 2021, on his promotion Mr. Saifullah Ghuman, assumed charge to the post of Superintendent (BS-16) (Gazetted), DG's Office, Pak. PWD, Islamabad on 29th March, 2021.

He has been pleased to probation for a period of one year extendable by further period not exceeding by one

year in accordance with the provisions of Section-6(2) of the Civil Servants Act-1973.

Islamabad, the 31st March, 2021

No. AI-717/700(2119).—Consequent upon his transfer *vide* this office, office order No. AI-717/700(1891) dated 4th February, 2021, Mr. Aftab Ahmed Memon, took over charge to the post of Assistant Executive Engineer, Central Civil Division, Pak. PWD, Hyderabad from Mr. Muhammad Channar, Assistant Executive Engineer on 22nd February, 2021.

No. AI-717/700(1316).—Pursuant to Ministry of Housing & Works Notification No. F.2(9)/2016-Admn-III, dated 16th March, 2021 Mr. Tariq Mehmood Akhtar, assumed the charge of the post of Chief Engineer (West), Pak. PWD, Quetta on 17th March, 2021 on current charge basis.

M. B. KHATTAK,
Chief Administrative Officer.

The Gazette of Pakistan

PUBLISHED BY AUTHORITY

KARACHI, WEDNESDAY, JULY 14, 2021

PART IV

Notifications issued by the minor administrations and miscellaneous notifications not included in any other part

ISLAMABAD CAPITAL TERRITORY, CO-OPERATIVES
DEPARTMENT

Islamabad, the 30th June, 2021

No. 3977/CR/ICT/B.—In exercise of powers vested under section 54 of Cooperative Societies Act, 1925 read with Rule 33 of Cooperative Societies Rules, 1927, the Assistant Commissioner (Sectt.), ICT, Islamabad is appointed as Registrar's nominee to decide the Case within 60 days titled as "Mr. Ehsan Ul Haq Butt S/o. Abdul Rasheed Butt R/o. H. No. E/1835, Bilal Town, G.T. Road, Peshawar VS. OGDC Employees Cooperative Housing Society, Islamabad" in accordance with the requirements of Rules 33 of Cooperative Societies Rules, 1927. The fee of the nominee is fixed as Rupees 20,000/- both the parties had to pay Rs. 10,000/- each. If the case is not decided within stipulated period the deposited fee shall be refunded to the both parties.

2. By orders of the Deputy Commissioner / Registrar Cooperative Societies, ICT, Islamabad.

No. 3978/CR/ICT/B.—In exercise of powers vested under section 54 of Cooperative Societies Act, 1925 read with Rule 33 of Cooperative Societies Rules, 1927, the Assistant Commissioner (Sectt.), ICT, Islamabad is appointed as Registrar's nominee to decide the Case within 60 days titled as "Mr. Qamar Abbas S/o Hassan Abbas R/o. House No. 1159, Street No. 111, Sector G-9/4, Islamabad VS. Civilian Employees Cooperative Housing Society, Islamabad" in accordance with the requirements of Rules 33 of Cooperative Societies Rules, 1927. The fee of the nominee is fixed as Rupees 20,000/- both the parties had to pay Rs. 10,000/- each. If the case is not decided within stipulated period the deposited fee shall be refunded to the both parties.

2. By orders of the Deputy Commissioner / Registrar Cooperative Societies, ICT, Islamabad.

MUHAMMAD MAZHAR ALI,
Circle Registrar,
Cooperative Societies Department.

MINISTRY OF LAW AND JUSTICE

Islamabad, the 30th June, 2021

SUBJECT : CONSTITUTION OF COMMITTEE ON CONSTRUCTION OF SUPREME COURT STAFF HOUSING COLONY AT KURRI ROAD, ISLAMABAD.

No. F. 5(212)/2019-DW.—In pursuance of decision of the Federal Cabinet *vide* Case No. 541/21/2021, dated 22nd June, 2021, the following Committee has been constituted to review the request for exemption of the ban, if any, in the case of construction of Supreme Court Staff Housing Colony at Kurri Road, Islamabad :

- | | | |
|-----|--|-------------|
| i. | Dr. Shireen M. Mazari,
Federal Minister for
Human Rights. | Chairperson |
| ii. | Mirza Shahzad Akbar,
Adviser to Prime Minister on
Accountability and Interior. | Member |

2. The Committee shall review the request for exemption of the ban, if any, for construction of Supreme Court Staff Housing Colony at Kurri Road, Islamabad and make recommendations to the Federal Cabinet within one week.

3. Ministry of Law and Justice shall be Secretariat of the Committee.

MUHAMMAD UMER AZIZ,
Joint Secretary.

MINISTRY OF PLANNING, DEVELOPMENT AND
SPECIAL INITIATIVES

Islamabad, the 30th June, 2021

No. F. 5(12)CP/HRM-IV/PDSI/2019.—The composition of Advisory Committee of Planning Commission / Ministry of Planning, Development & Special Initiatives constituted *vide* this Ministry's notification of even number, dated 26th June, 2020 is revised as under :-

A. Composition

Chairman :

1. Minister for Planning, Development & Special Initiatives.

Members :

2. Deputy Chairman, Planning Commission.
3. Mr. Mohsin Aziz, Senator
4. Mr. Muhammad Najeeb Haroon, MNA
5. Chief Economist, Ministry of PD&SI
6. Dr. Abid Qaiyum Suleri, Executive Director, SDPI.
7. Dr. Naved Hamid, Professor, Lahore School of Economics.
8. Syed Ahmed, Chairman, Pakistan Software Houses Association.
9. Mr. Khalid Mansoor, CEO, HUBCO.
10. Mr. Afaq Tiwana, Director, Agrimall.
11. Mr. Ehsan Saya, MD, Daraaz
12. Dr. Shakeel Khan, Principal Investment Operations Specialist, Asian Infrastructure Investment Bank.
13. Dr. Adnan Khan, Chief Knowledge Officer, Research and Development Solutions.

Members :

14. Mr. Ahmed Bilal Jaudet, CEO, Agritech.
15. Mr. Muhammad Amjad Saqib, Executive Director Akhuwat.
16. President, Overseas Investors Chambers of Commerce & Industry.

Member / Secretary :

17. Secretary, Ministry of Planning, Development & Special Initiatives.

B. Terms of Reference :

- i. To work as a strategic think tank on policy issues of Planning Commission / Ministry of Planning, Development & Special Initiatives.
 - ii. To promote public and private sector interface and develop participatory approach in decision making.
 - iii. To guide Planning Commission / Ministry of Planning, Development & Special Initiatives in policy formulation and implementation.
 - iv. To generate and build consensus on policies and strategies of the Planning Commission / Ministry of Planning, Development & Special Initiatives.
 - v. To provide input and feedback from non-government stakeholders to the policies/performance of the Planning Commission / Ministry of Planning, Development & Special Initiatives.
2. The Chairman of the Advisory Committee is authorized to co-opt additional member(s).
 3. The Committee shall meet at least once in each quarter. The Members of the Committee shall work without remuneration. However, their travel and lodging costs for attending meetings shall be paid if so requested.

GHULAM NABI SHAIKH,
Section Officer (HRM-IV).

The Gazette of Pakistan



PUBLISHED BY AUTHORITY

KARACHI, WEDNESDAY, JULY 14, 2021

PART V

Notifications, etc., issued by The Patent Office

NEW APPLICATIONS FOR THE PATENTS

The dates shown in the crescent brackets are the dates claimed under section 86 of the Patents Ordinance, 2000.

16th November, 2020

773/2020 CASALE SA, Switzerland. (Priority 19th November, 2019, EP).—“A VIBRATING PRILLING BUCKET PARTICULARLY FOR PRILLING OF UREA”.

774/2020 UNILEVER PLC, United Kingdom. (Priority 21st November, 2019, EP).—“A BLACK LEAF TEA PRODUCT”.

775/2020 Afzaal Mustafa S/O Khan Ghulam Mustafa, Pakistan.—“RETROFIT HYBRID FUEL TANK”.

17th November, 2020

776/2020 China Yunnan Sunny Road & Bridge Co. Ltd., China.—“A CONSTRUCTION METHOD TO EMBED LONGITUDINAL DRAINAGE INTO THE ASPHALT SURFACE COURSE OF HIGHWAY AND BRIDGE”.

18th November, 2020

777/2020 UPL LIMITED, India.(Priority 19th November, 2019, IN).—“STABLE COMPOSITIONS OF FUNGICIDAL COMPOUNDS”.

778/2020 Janssen Biotech, Inc., U.S.A. (Priority 18th November, 2019, US and 18th November, 2019, US).—“VACCINES BASED ON MUTANT CALR AND JAK2 AND THEIR USES”.

779/2020

Dr. M,Farooq Iqbal, Department of Livestock Production and Management ; Dr. Tanveer Ahmad, Department of Livestock Production and Management ; Dr.Zahid Naseer, Department of Clinical Studies and Qadeer Ahmad Khan, Department of Livestock Production and Management, Pakistan.—“Polyherbal nutritional Product to solve the problem of anestrus in cattle”.

19th November, 2020

780/2020

Omer Ahmed and Murtaza Ahmed, Pakistan.—“A process of manufacturing denim fabric/garment with overall lower consumption of water and chemicals”.

781/2020

FMC Corporation and FMC AGRO Singapore Pte. Ltd, Singapore. (Priority 22nd November, 2019, US).—“NEW PROCESSES FOR SYNTHESIS OF (3-CHLORO-2-PYRIDYL) HYDRAZINE”.

20th November, 2020

782/2020

Novartis AG, Switzerland. (Priority 25th November, 2019, US).—“1,2,4-OXADIAZOLE DERIVATIVES AS LIVER X RECEPTOR AGONISTS”.

783/2020

University of Lahore, New Campus, Pakistan.—“A PROCESS FOR DETECTION OF CORONAVIRUS DISEASE 2019”.

APPLICATION ACCEPTED

143646

Notice is hereby given that the person interested in opposing the grant of Patents to any of the applications referred to below at any time within four months from the date of this Patents' journal may give notice at the Patent Office on the prescribed Form P-7 of the Patents Rules 18(1) of 2003.

The six figures number shown in the right hand side are those given to applications on acceptance of the complete specification under which the specification will be printed and subsequent proceeding taken.

The figures shown within square brackets after the title of inventions indicate their classification index at acceptance.

Typed copies of the specification which are to open to public inspection can be supplied by the Patent Office on payment of the prescribed charges which may be ascertained on application to the office.

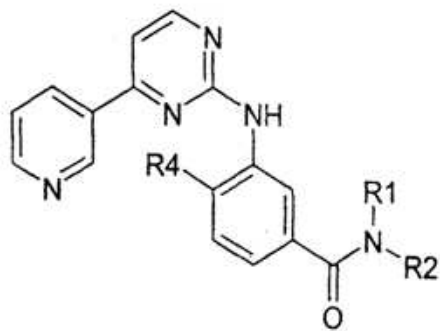
1121/2007 Novartis AG, Switzerland.—“A PHARMACEUTICAL COMPOSITION, IN THE FORM OF A CAPSULE COMPRISING A PYRIMIDYLAMINOBENZAMIDE COMPOUND”.

A61K31/506, A 61K 9/16 & A61P35/02.

143645

A pharmaceutical composition, in the form of a capsule comprising:

a granule comprising a therapeutic compound in an intimate mixture with at least one pharmaceutically acceptable excipient, wherein said therapeutic compound is a pyrimidylaminobenzamide compound of formula I:

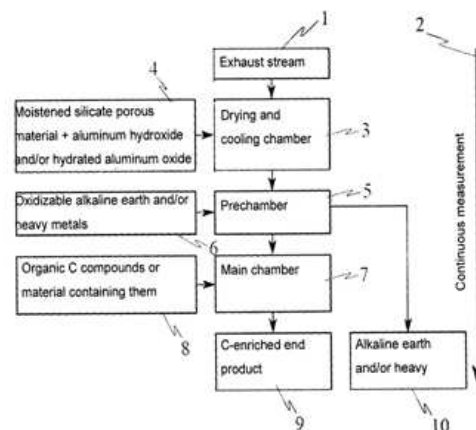


or a salt thereof. The granules may be produced by a wet granulation process.

86/2013 Commerzialbank Mattersburg im Burgenland Aktiengesellschaft, Austria.—“METHOD FOR WORKUP OF CARBON DIOXIDE CONTAINED IN AN EXHAUST STREAM”.

B01D53/62 & B01D53/14.

The present invention concerns a method for workup of carbon dioxide (CO₂) contained in an exhaust stream (1). To produce a carbon-enriched product (9) from organic-containing substances and carbon dioxide (CO₂) exhaust stream (1) it is brought in contact in a drying and cooling chamber (3) with a moistened porous silicate material and admixed aluminum hydroxide and/or hydrated aluminum oxide (4) and/or optionally other metal oxidizers to produce a basic aqueous medium and to destabilize the carbon dioxide (CO₂), and cooled, in which the amount of aluminum hydroxide and/or hydrated aluminum oxide (4) to be added is controlled via a continuous pH value measurement (2), after which the aqueous medium is fed to a subsequent prechamber (5), which is supplied with material (6) containing oxidizable alkaline earth and/or heavy metal, in which neutralization of the aqueous medium containing ionized carbon occurs and the formed alkaline earth and/or heavy metal oxide (10) is discharged from the prechamber (5) and the aqueous medium containing ionized carbon (C) is then fed to a main chamber (7) equipped with a material (8) consisting of organic carbon compounds and/or containing organic carbon compounds.



586/2015

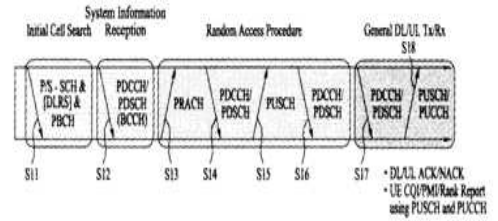
Ms. Peak Implements Corporation, U.S.A.—“A multifunction or double ended tweezer”.

B25B9/02, A45D26/00 & A45D29/02.

143647

A dual ended tweezer a first lateral arm and a second lateral arm connected by a connecting arm. The connecting arm acts as a transversal between the first lateral arm and the second lateral arm, which are parallel, thus forming a "Z" shape. A first pinching tip pair is connected at a first end and a second

pinching tip pair is connected at a second end to the lateral arms. The first and second pinching tip pair may be embodied as any of a variety of tweezer tip types, providing a number of different combinations of dual tweezer functionality.



397/2016 EXELIXIS, INC., U.S.A.—“CRYSTALLINE FUMARATE SALT OF (S)-[3,4-DIFLUORO-2-(2-FLUORO-4-IODOPHENYLAMINO) PHENYL] [3-HYDROXY-3-(PIPERIDIN-2-YL) AZETIDIN-1-YL]-METHANONE”.

159/2019 ASELSAN ELEKTRONIK SANAYI VE TICARET ANONIM SIRKETI, Turkey.—“A METHOD FOR CONFIDENT REGISTRATION-BASED NON-UNIFORMITY CORRECTION USING SPATIO-TEMPORAL UPDATE MASK”.

C07D401/04, A61K31/397, A61K31/4427 & A61P35/00.

143648

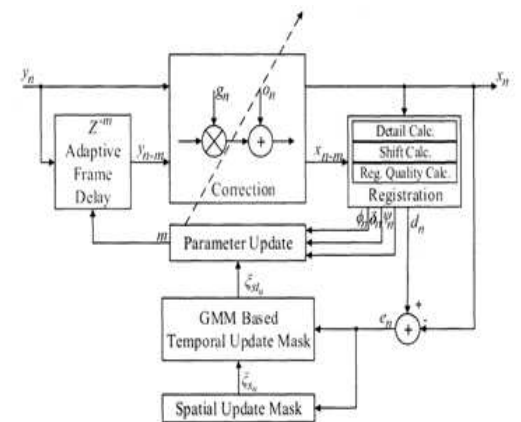
G06T5/20 & G06T5/00.

This disclosure relates to the crystalline fumarate salt of (S)-[3,4-difluoro-2-(2-fluoro-4-iodophenylamino)phenyl] [3-hydroxy-3-(piperidin-2-yl) azetidino-1-yl]-methanone. The disclosure also relates to pharmaceutical formulation comprising the crystalline fumarate salt of (S)-[3,4-difluoro-2-(2-fluoro-4-iodophenylamino)phenyl] [3-hydroxy-3-(piperidin-2-yl) azetidino-1-yl]-methanone. The disclosure also relates to uses of the crystalline fumarate salt of (S)-[3,4-difluoro-2-(2-fluoro-4-iodophenylamino)phenyl] [3-hydroxy-3-(piperidin-2-yl) azetidino-1-yl]-methanone in the manufacture of a medicament to treat cancer.

143650

The present disclosure relates to a scene-based non-uniformity correction method to achieve better fixed-pattern noise reduction and eliminate ghosting artifacts based on robust parameter updates via confident inter-frame registration and spatio-temporally consistent correction coefficients.

833/2018 LG Electronics Inc., Rep.of Korea.—“METHOD OF TRANSMITTING UPLINK PHASE TRACKING REFERENCE SIGNAL BY USER EQUIPMENT IN WIRELESS COMMUNICATION SYSTEM AND APPARATUS SUPPORTING SAME”.



H04B7/0456, H04L5/00, H04W52/32 & H04W 72/04.

143649

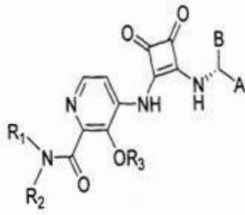
631/2019 PFIZER INC., U.S.A.—“N-SUBSTITUTED-DIOXOCYCLOBUTENYLAMINO-3-HYDROXY-PICOLINAMIDE USEFUL AS CCR6 INHIBITOR”.

The present invention proposes a method of transmitting and receiving an uplink phase tracking reference signal between a user equipment and a base station in a wireless communication system and an apparatus therefore. According to one embodiment applicable to the present invention, the user equipment can transmit an uplink phase tracking reference signal to the base station using a power boosting level determined based on first information and second information received from the base station.

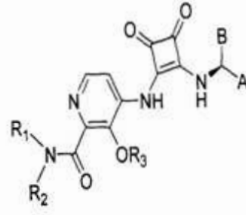
C07D405/14, C07D413/14, C07D401/08, C07D417/08, C07D413/08, A61K31/435 & A61P 37/00.

143651

The present invention relates to N-substituted-dioxocyclobutenylamino-3-hydroxypicolinamide compound of Formulae (1A and 1B)



Formula (IA)



Formula (IB)

3,4-DIOXOCYCLOBUT-1-EN-1-YL)AMINO)-3-HYDROXY-N,N-DIMETHYLPICOLINAMIDE MONOHYDRATE USEFUL AS A CCR6 INHIBITOR”.

C07D405/14, C07D413/14, C07D401/08, C07D 417/08, C07D413/08, A 61K 31/435 & A 61P 37/00.

143652

that inhibit CC chemokine receptor 6 (CCR6), pharmaceutical composition containing the compound, and useful as CCR6 inhibitor.

599/2020 PFIZER INC., U.S.A.—“CRYSTALLINE (R)-4-((2-(((1,4-DIMETHYL-1H-PYRAZOL-3-YL)(1-METHYLCYCLOPENTYL)METHYL)AMINO)-

The present invention relates to crystalline (R)-4-((2-(((1,4-dimethyl-1H-pyrazol-3-yl)(1-methylcyclopentyl)methyl)amino)-3,4-dioxocyclobut-1-en-1-yl)amino)-3-hydroxy-N,N-dimethylpicolinamide monohydrate that inhibits CC chemokine receptor 6 (CCR6).

NEW APPLICATIONS FOR THE INDUSTRIAL DESIGNS

S. No.	Design No.	Title & Class	Applicant
16th November, 2020			
1.	20618	part of fuel injection system of a Power Generator Unit (Class No .1)	University of Management and Technology
18th November, 2020			
2.	20619	Soap (Class No. 3)	Asim Riaz, Brandsmith
19th November, 2020			
3.	20620	3-WHEELS MINICAB AUTO RICKSHAW (Class No.1)	SAZGAR ENGINEERING WORKS LIMITED
4.	20621	Nail Cutter (Easy Grip) (Class-01)	M/s GROOMING PRO
5.	20622	Razor Cartridge (Class-03)	Dorco Co., Ltd.
6.	20623	Razor Handle (Class-03)	Dorco Co., Ltd.

REGISTRATION OF DESIGNS

The following designs have been registered.

S. No.	Design No.	Title & Class	Applicant
20th November, 2020			
1.	19431	Packaging Box (Class-05)	Merck KGaA
2.	20226	Pen Nib (Class-01)	Sayyed Engineers Limited
3.	20227	Pen Nib (Class-01)	Sayyed Engineers Limited
4.	20228	Pen Nib (Class-01)	Sayyed Engineers Limited
5.	20232	Pen Feeder (Class-03)	Sayyed Engineers Limited
6.	20233	Pen Feeder (Class-03)	Sayyed Engineers Limited
7.	20250	Water Pump (Class-01)	Ijaz Engineering Works & Pumps
8.	20278	Prayer Carpet (Class-08)	Nayyer Industries (Pvt.) Ltd.
9.	20279	Prayer Carpet (Class-08)	Nayyer Industries (Pvt.) Ltd.

DR. MUHAMMAD FAYYAZ AHMAD,
Controller of Patents & Registrar of Designs.



PUBLISHED BY AUTHORITY

KARACHI, WEDNESDAY, JULY 14, 2021

PART VI

Advertisements and Notices issued by Corporate Bodies and
Private Individuals on payment

HEINZ PAKISTAN (PRIVATE) LIMITED

Office 803, 8th Floor, Landmark Plaza,
I.I. Chundrigar Road, Karachi, Pakistan

At an Extra-Ordinary General Meeting of HEINZ PAKISTAN (PRIVATE) LIMITED held on 11th May, 2021 at 10:00 a.m., at the Registered Office of the Company, it has by a special resolution resolved to go into members' voluntary winding-up and that Mr. Umer Ahad S/o. Ahadullah has been appointed as the liquidator. Through this publication the company intends to comply with section 350 of the Companies Act, 2017 to wind-up the affairs of the Company.

MELDA YASAR CEBE,
Chief Executive.

CORRECTION IN NAME

This is to certify that Ms. Shahnila Gul appeared in B.A. Final Year Exams from Karachi University with Seat No # 26620. I appeared for my B.A. Part 2 exams in year 2006-07. It was later figured out that there was spelling mistake in the name mentioned in my enrollment card/ admit card and Degree issued from Karachi University as well.

My name was wrongly spelled as SHAHINILA GUL.
The correct spelling of my name is SHAHNILA GUL.

SHAHNILA GUL,
D/o. Ghulam Nabi Sheikh.

CORRECTION OF FATHER'S NAME

My father's name is Akbar Ali instead of Ch. Akbar Ali in my M.B.B.S. Degree. Kindly read, write and call my father name as per his correct name.

JAWAD AKBAR,
S/o. Akbar Ali.

CORRECTION OF FATHER'S NAME

I, Syed Sibt-e-Hassan S/o. Syed Tehzeeb-ul-Hussain, holding CNIC No. 71501-3358840-9 do hereby state to inform you that the name of my father on my degree / certificate of Master of Philosophy (MPhil) in the faculty of Science issued by University of Karachi on 18th September, 2020 under seat Number MP-16208042 has wrongly been written as Syed Tehzeeb-ul-Hassan, while the correct name of my father (as per my SSC, HSSC and CNIC records) is Syed Tehzeeb-ul-Hussain.

SYED SIBT-E-HASSAN,
S/o. Syed Tehzeeb-ul-Hussain.