

The Gazette of Pakistan

PUBLISHED BY AUTHORITY

No. 28]

KARACHI, WEDNESDAY, JULY 8, 2020

C O N T E N T S

	PAGES		PAGES
PART I— Notifications regarding appointments, promotions, etc., issued by Ministries/ Divisions of the Government of Pakistan, Department of the Auditor-General of Pakistan and the Supreme Court of Pakistan other than the Ministry of Defence and Ministry of Defence Production..	779—806	PART IV— Notifications issued by the minor administrations and miscellaneous notification not included in any other part	39—40
PART II— Notifications issued by the Ministry of Defence and Ministry of Defence Production	327—331	PART V— Notifications etc., issued by The Patent Office.	1—12
PART III— Notifications issued by the High Courts, the Federal Public Service Commission and by the Attached and Subordinate Offices of the Government of Pakistan	549—571	PART VI— Advertisements and Notices issued by Corporate Bodies and Private Individuals on payment..	-Nil-
		SUPPLEMENT NO.	
		Weekly, notification of cases and deaths from quarantiable diseases	

PART I

Notifications regarding appointments, promotions, etc. issued by Ministries/Divisions of the Government of Pakistan, Department of the Auditor-General of Pakistan and the Supreme Court of Pakistan other than the Ministry of Defence and Ministry of Defence Production

PRIME MINISTER'S OFFICE (INTERNAL)

Islamabad, the 1st July, 2020

No. 5(75)-Admn/2015.—Consequent upon his posting to Station Headquarters, Quetta *vide* General Headquarters, Military Secretary Branch Letter No. 60/430/20/MS-11A/44, dated 15th June, 2020, PA-42839 Major Tasawar Hussain, Assistant Security Officer is relieved of his duties in this office with effect from 30th June, 2020 (AN).

Accordingly the officer has relinquished charge of the post of Assistant Security Officer in the afternoon of 30th June, 2020 and he shall stand SOS with effect from 1st July, 2020.

ALI NAQQASH ANWAR, *Major,*
General Staff Officer-2.

PRIME MINISTER'S OFFICE (PUBLIC)

Islamabad, the 1st July, 2020

No. F.1(50)-Estt/86.—In continuation of this office notification of even number, dated 27th April, 2020,

(779)

Mr. Abdul Razaque Memon, Private Secretary (BS-17) of Prime Minister's Office (Public) is granted 31 days extension in LFP on medical grounds from 1st May, 2020 to 31st May, 2020.

After expiry of leave, the officer has joined his duties on the same post and station.

HAIDER MUNAWAR CHEEMA,
Section Officer (Admn.).

[BOARD OF INVESTMENT]

Islamabad, the 23rd June, 2020

No. 3(61)-Admn/93.—Mr. Muhammad Hamayun Shah, Assistant Director (BS-17), Prime Minister's Office, Board of Investment, Islamabad shall stand retired from Government Service, on attaining the age of superannuation on 22nd September, 2020.

This issues with the approval of the Secretary, BOI.

Islamabad, the 1st July, 2020

No. 10(2)-HR/2020.—Consequent upon the recommendations of Departmental Promotion Committee (DPC) meeting held under the Chairmanship of the Secretary, BOI in his office on 1st July, 2020, Qazi Asif Mehboob, Private Secretary (BS-18), Board of Investment, Islamabad, on completion of twelve years satisfactory service length, is hereby granted time scale promotion of BS-19 with the nomenclature of Senior Private Secretary, with immediate effect.

No. 10(2)-HR/2020.—Consequent upon the recommendations of Departmental Promotion Committee (DPC) meeting held under the Chairmanship of the Secretary, BOI in his office on 1st July, 2020, Mr. Muhammad Ishfaq Awan, Private Secretary (BS-17), Board of Investment, Islamabad, on completion of five years satisfactory service length, is hereby granted time scale promotion of BS-18, with immediate effect.

MUHAMMAD NAEEM,
Deputy Director (HR).

[EARTHQUAKE RECONSTRUCTION AND REHABILITATION
AUTHORITY]

Islamabad, the 16th June, 2020

No. 6/8/Civil/2015-HR.—In pursuance of General Headquarters IGT&E Branch, Federal Government Educational Institutions (Cantt / Garrisons) Directorate, Rawalpindi, Letter No. 04/PF-01/77-FGEIs(NTS), dated 14th May, 2020, the deputation period of Mr. Jamil Ahmed, Bursar (BS-16) of Federal Government Educational Institutions (Cantt / Garrisons) Directorate, Rawalpindi, presently posted in ERRA as Superintendent (BS-16), is extended with effect from 10th September, 2018 to 9th September, 2020.

Islamabad, the 30th June, 2020

No. 1/28/Civil/2016-HR.—In pursuance of Establishment Division's Notification No. 1-6/2015-E-2, dated 26th June, 2020 and on satisfactory completion of his deputation period, Mr. Muhammad Tahir, a BS-19 officer of Secretariat Group, presently posted in ERRA as Director, is relieved, with effect from 30th June, 2020.

RAJA AMJAD RABBANI, *Major*,
Deputy Director (HR).

NATIONAL ACCOUNTABILITY BUREAU

Islamabad, the 15th June, 2020

No. 3(1111)/R/2013-PM-II.—The un-authorized absence from duty for a period of 58 days is hereby treated as Extraordinary leave (EOL) in respect of Ms. Saubana Rafiq,

Assistant Director (BS-17), National Accountability Bureau (HQ), Islamabad, as per following details :-

S. No.	Dates of absence	Number of days
1.	02-04-2014 to 28-04-2014	27
2.	1st & 2nd July, 2019	02
3.	29th May, 2019	01
4.	11th & 12th July, 2019	02
5.	17th & 26th July, 2019	02
6.	2, 5, 6, 08, 17, 21, & 26th August, 2019.	07
7.	5, 6, 9, 10, 11, 13, & 23rd September, 2019.	07
8.	1, 2, 3, 4, 7, 8, 9, 10, 16 & 18 October, 2019.	10
Total :-		58

2. This issues with the approval of DG (HRM).

NAVEED ASHRAF,
Additional Director (PM).

Islamabad, the 23rd June, 2020

No. 3(615)/B/2007-PM-III.—Competent Authority has been pleased to approve postings/transfers of following Deputy Directors (BPS-18), with immediate effect and until further orders :-

S. No.	Name of Officers	From	To
1.	Mr. Muhammad Asad Jan	NAB (HQ), Islamabad	NAB (KP), Peshawar
2.	Mr. Saeed Iqbal Khan	NAB (KP), Peshawar	CI & MT, NAB (HQ), Islamabad

2. TA/DA and joining time will be admissible under the rules.

IMRAN SOHAIL,
Additional Director (PM).

Islamabad, the 29th June, 2020

No. 3(1661)/K/2016-PM-III.—In pursuance of this Bureau's notification of even number, dated 28th February, 2020, Mr. Muhammad Shehzeb Durrani, has relinquished

the charge of the post of Assistant Director (BPS-17) NAB (Karachi), with effect from 29th April, 2020 and assumed the charge of the post of Assistant Director (BPS-17) NAB (R), Rawalpindi / Islamabad, with effect from 29th April, 2020.

SYED IZHAR HUSSAIN SHAH,
Deputy Director (PM-III).

Islamabad, the 15th June, 2020

No. 7-3(123)/HQ/2001/Admn-I.—In pursuance of this Bureau's Notification No. 2(125)/HQ/2015/PM-I, dated 4th June, 2020, Mr. Raza Khan has relinquished the charge of the post of Director (BS-20) at NAB (Rawalpindi), with effect from 5th June, 2020 and assumed the charge of the post of Director (BS-20), T&R Division, NAB (HQ), on the same date.

No. 3(1329)/R/2013-PM-I.—DG (HRM), NAB has accorded approval regarding 89 days maternity leave with full pay in respect of Ms. Lubna Bashir, Assistant Director (BPS-17), NAB (HQ), Islamabad, with effect from 15th June, 2020 to 11th September, 2020.

On expiry of leave, the officer will resume her duties of the same post.

Islamabad, the 16th June, 2020

No. 3(1977)/HQ/2020/PM-I.—DG (HRM) has been pleased to approve 4 days leave with full pay in respect of Rana Sajid Hussain, Superintendent (BS-16), NAB (HQ), Islamabad, with effect from 9th June, 2020 to 12th June, 2020.

No. 3(1902)/HQ/2019/PM-I.—In continuation of this Bureau's notification of even number, dated 7th May, 2020, the suspension period of Mr. Ubaid-ur-Rehman, Assistant Private Secretary (BPS-16), National Accountability Bureau (KP), Peshawar is hereby extended for a further period of three months, with effect from 2nd June, 2020.

This issues with the approval of Chairman NAB.

No. 3(1902)/HQ/2019/PM-I.—In continuation of this Bureau's notification of even number, dated 7th May, 2020, the suspension period of Mr. Rizwanullah, Assistant Private Secretary (BPS-16), National Accountability Bureau (HQ), Islamabad is hereby extended for a further period of three months, with effect from 2nd June, 2020.

This issues with the approval of Chairman NAB.

Islamabad, the 23rd June, 2020

No. 3(1249)/KP/2013/PM-II.—Consequent upon death in service, encashment of 181 days leave on full pay is granted in lieu of leave preparatory to retirement (LPR) to late Mr. Rafi-ud-Din, ex-Assistant Director (BS-17), NAB (KP), Peshawar.

Islamabad, the 29th June, 2020

No. 3(1193)/R/2013/PM-II.—In continuation of this Bureau's notification of even number, dated 6th February, 2020, the worthy Chairman NAB is pleased to approve 184 days *ex-Pakistan* leave on half pay (LHP), with effect from 31st May, 2020 to 30th November, 2020 in lieu of 92 days leave on full pay in respect of Mr. Gul Anwar, Assistant Director (BS-17), NAB (Rawalpindi) for medical treatment of his daughter at Hiroshima, Japan.

On expiry of leave, the officer shall resume his duties of the same post.

MUHAMMAD SHOAIB,
Deputy Director (PM-II).

Islamabad, the 24th June, 2020

No. 3(1531)/B/2015/PM-III.—The services of Mr. Abdul Shakoor, Reporter / Sub-Editor (BPS-16), Associated Press of Pakistan Corporation (APP), Quetta, presently serving against the post of Deputy Assistant Director (BPS-16), NAB (Balochistan), Quetta on deputation basis, are repatriated to his parent department, with immediate effect upon completion of deputation period.

HAMZA NIHAL TARIQ,
Assistant Director (PM-III).

Islamabad, the 18th June, 2020

No. 1(514)/Admn/2013/10483.—In continuation of this Bureau's notification of even number, dated 14th May, 2020, Mr. Aamer Shahid, Deputy Director (BPS-18), NAB (R), Sub Office Gilgit is granted extension of 7 days leave on full pay (LFP), with effect from 6th June, 2020 to 12th June, 2020.

He has resumed his duty on the same post and station after expiry of the said leave.

Islamabad, the 25th June, 2020

No. 1(514)/Admn/2013/10774.—In continuation of this Bureau's notifications of even number, dated 14th May, 2020 & 18th June, 2020, Mr. Aamer Shahid, Deputy Director (BPS-18), NAB (R), Sub Office Gilgit is granted extension of 14 days leave on full pay (LFP), with effect from 13th June, 2020 to 26th June, 2020.

On the expiry of leave, the officer will resume his duties of the same post at the same station.

ASIF MEHMOOD,
Assistant Director (Admn.).

CABINET SECRETARIAT

(Cabinet Division)

Islamabad, the 18th June, 2020

No. PF.(1147)-Admn-II.—In pursuance of Establishment Division's Notification No. F.1/6/2020/E-5(PAS), dated 12th June, 2020, Capt. (Retd.) Javed Akbar, a BS-22 officer of Pakistan Administrative Service, has assumed the charge of the post of Special Secretary (BS-22), Cabinet Division on 15th June, 2020.

MUHAMMAD ZAHID SHAH,
Deputy Secretary (Admn.).

Islamabad, the 3rd March, 2020

No. PF.(921)-Admn-II.—With the approval of competent authority *i.e.* Additional Secretary-I, Mr. Jamil Ahmed, Superintendent (BS-17/Time Scale), Cabinet Division, is assigned to hold current charge of the post of Section Officer (Cabinet), Cabinet Division, with effect from 5th June, 2020 for a period of three (03) months or till posting of an officer on regular basis, whichever is earlier.

Islamabad, the 15th June, 2020

No. PF.(1146)-Admn-II.—With the approval of Cabinet Secretary, Mr. Hammad Shamimi, Sr. Joint Secretary (Dev-II) (BS-21), is assigned to hold additional charge of the post of Sr. Joint Secretary (Dev-I), Cabinet Division, with immediate effect, in addition to his own duties for a period of three (03) months or till posting of regular officer, whichever is earlier.

No. PF.(1023)-Admn-II.—With the approval of Cabinet Secretary, Mr. Muhammad Akram, Joint Secretary (Lit Devo), (BS-20), Cabinet Division has been granted 14 days leave on full pay (LFP), with effect from 9th June, 2020 to 22nd June, 2020, under the revised leave rules 1980, subject to title.

On expiry of leave, the officer is likely to resume his duties on the same post and station.

No. PF.(921)-Admn-II.—With the approval of competent authority *i.e.* Additional Secretary-I, Mr. Shams ul Haq, Superintendent (BS-17/Time Scale), Cabinet Division, is assigned to hold current charge of the post of Section Officer (NGO / TK)), Cabinet Division, with effect from 28th May, 2020 for a period of three (03) months or till posting of an officer on regular basis, whichever is earlier.

No. PF.(1109)-Admn-II.—With the approval of Joint Secretary (Admn), Mr. Javed Akhtar, Superintendent (BS-16), Cabinet Division has been granted 38 days leave on full pay on medical grounds, with effect from 10th June, 2020 to 17th July, 2020, under the Revised Leave Rules 1980, subject to title.

On expiry of leave, the officer is likely to resume his duties on the same post and station.

No. PF.(921)-Admn-II.—With the approval of competent authority *i.e.* Additional Secretary-I, Mr. Safdar Ali Shah, Assistant Marketing Officer (BS-16) posted as Superintendent, Cabinet Division, is assigned to hold current charge of the post of Section Officer (Lit-I), Cabinet Division, with immediate effect for a period of three (03) months or till posting of an officer on regular basis, whichever is earlier.

Islamabad, the 22nd June, 2020

No. PF.(937)-Admn-II.—With the approval of Additional Secretary-I, Mr. Mujahid Khan, Deputy Director (IT), (BS-18), is assigned to hold current charge of the post of Director (IT) (BS-19), Cabinet Division, with effect from 9th April, 2020, in addition to his own duties for a period of three (03) months or till the posting of an officer on regular basis, whichever is earlier.

Islamabad, the 24th June, 2020

No. PF.(860)-Admn-II.—With the approval of Additional Secretary-I, Mr. Ayaz Ahmad, Statistical Officer posted as Section Officer (Awards-I), is assigned to hold additional charge of the post of Section Officer (Awards-II), Cabinet Division, with immediate effect, in addition to his own duties for a period of three (03) months or till the posting of a regular officer, whichever is earlier.

SARDAR MEHMOOD,
Section Officer (Admn-II).

Islamabad, the 18th June, 2020

No. F.10-31/2016-Org-II.—In exercise of powers conferred under section 112 of Memorandum and Articles of Association of Pakistan Tourism Development Corporation (PTDC), read with section 187 (4) of the Companies Act, 2017 and with the approval of Federal Government, current charge of the post of Managing Director, PTDC, has been entrusted to Mr. Intikhab Alam, General Manager, PTDC, with effect from 6th May, 2020 for a period of three (03) months or till appointment of a regular incumbent, whichever is earlier.

GHULAM JILLANI KHAN,
Section Officer (Org-III).

(Establishment Division)

Islamabad, the 28th May, 2020

No. PF.(645)/E-5 (PAS).—Mr. Sajid Siddique, a BS-21 officer of Pakistan Administrative Service, presently posted in National School of Public Policy, is assigned additional charge of the post of Director General, Civil Services Academy, Lahore, for a period of three months or till the posting of a regular incumbent; whichever is earlier.

Islamabad, the 29th May, 2020

No. PF.(603)/E-5 (PAS).—Dr. Syed Pervaiz Abbas, a BS-22 officer of Pakistan Administrative Service, presently posted as OSD, Establishment Division is transferred and his services are placed at the disposal of Senate Secretariat, for further posting as Secretary, Senate Secretariat, on deputation basis, on standard terms and conditions, with immediate effect and until further orders.

No. PF.(572)/E-5 (PAS).—Mr. Zafar Hasan, a BS-22 officer of Pakistan Administrative Service, presently posted as Secretary, Planning, Development and Special Initiatives Division is transferred and posted as Secretary, Communications Division, with immediate effect and until further orders.

No. PF.(569)/E-5 (PAS).—Mr. Tashfeen Khan, a BS-21 officer of Pakistan Administrative Service, presently posted as Additional Secretary, Communications Division is transferred and directed to report to Establishment Division, with immediate effect and until further orders.

No. PF.(763)/E-5 (PAS).—Mr. Tariq Viqar Bakhshi, a BS-20 officer of Pakistan Administrative Service, presently posted as Joint Secretary, Aviation Division, is transferred and posted as Additional Secretary, Communications Division, under Section 10 of the Civil Servants Act, 1973, with immediate effect and until further orders.

ASMA SANAULLAH,
Section Officer.

Islamabad, the 27th May, 2020

No. F. 34/5/2020-E-1.—Dr. Samina Taslim Zehra, a BS-21 officer of Pakistan Customs Service, presently posted as Director General, Directorate General of Input Output Coefficient Organization (IOCO), Karachi, under Revenue Division, is transferred and her services are placed at the disposal of National School of Public Policy (NSPP), Lahore, on deputation basis, for an initial period of three (03) years, on standard terms and conditions, with immediate effect and until further orders.

Islamabad, the 28th May, 2020

No. F. 34/5/2020-E-1.—This Division's notification of even number, dated 27th May, 2020, regarding placement of services of Dr. Samina Taslim Zehra, a BS-21 officer of Pakistan Customs Service, presently posted as Director General, Directorate General of Input Output Coefficient Organization (IOCO), Karachi, under Revenue Division, at the disposal of National School of Public Policy (NSPP), is hereby withdrawn *ab-initio*.

Islamabad, the 29th May, 2020

No. F. 34/5/2020-E-1.—Dr. Samina Taslim Zehra, a BS-21 officer of Pakistan Customs Service, presently posted as Director General, Directorate General of Input Output Coefficient Organization (IOCO), Karachi, under Revenue Division, is transferred and her services are

placed at the disposal of National School of Public Policy (NSPP), Lahore, on deputation basis, for an initial period of three (03) years, on standard terms and conditions, with immediate effect and until further orders.

ATIF R. KHATTAK,
Section Officer.

Islamabad, the 28th May, 2020

No. F. 1-20/2013-E-2.—Mr. Rasheed Noor (SG/BS-19), presently at the disposal of Benazir Income Support Programme (BISP), on deputation basis, is granted extension in his deputation for a period of one year, with effect from 31st May, 2020.

On completion of his deputation period, the officer will stand repatriated to Establishment Division.

SHEIKH MUHAMMAD UMAR FAROOQ,
Section Officer.

Islamabad, the 29th May, 2020

No. 6/1/2007-D-2.—As a part of the measures to contain spread of Corona Virus (COVID-19), the Federal Government officer shall observe the following office timings :

- i. Mondays to Thursdays (10:00 am to 4:00 pm)
- ii. Fridays (10:00 am to 1:00 pm).

2. The above timings shall come into force with immediate effect and shall continue till Monday, 15th June, 2020 (date included), unless modified or withdrawn earlier.

KAUSAR ALI KHAN,
Section Officer.

[BENAZIR INCOME SUPPORT PROGRAMME]

Islamabad, the 1st June, 2020

No. 1(818)/BISP/HR/2016.—In pursuance of Establishment Division, Islamabad Notification No. 22/02/2020-E-1, dated 21st May, 2020, Syed Ahsan Mumtaz (BS-19/Secretariat Group), presently posted in BISP HQ, Islamabad on deputation basis, has relinquished charge of the post of Additional Director General (ICC), BISP HQ, Islamabad, with immediate effect to join his new place of posting *i.e.* National Food Security & Research Division, Islamabad.

No. 1(1094)/BISP/HR/2017.—In pursuance of Establishment Division, Management Services Wing, Islamabad Notification No. 11/2/2004-Admin, dated 13th April, 2020, Rana Nasir Amin, Deputy Director (BS-18) of MS Wing, Establishment Division, presently posted in BISP HQ, Islamabad on deputation basis, has relinquished charge of the post of Deputy Director (Beneficiary Services),

BISP HQ, Islamabad, with immediate effect to join his parent department *i.e.* Establishment Division, Management Services Wing, Islamabad.

11th May, 2020, Mr. Fiaz Ahmed has assumed charge of the post of Private Secretary (BS-18), Regional Office, Lahore on 11th May, 2020.

ABDUL LATIF,
Director HR (HQ & Policy).

This issues with the approval of competent authority.

Islamabad, the 1st June, 2020

Islamabad, the 5th June, 2020

No. 1(891)/BISP/HR/2016.—Mr. Fahad Anwar Baloch, Assistant Director (BS-17), Press Information Department (PID), Ministry of Information & Broadcasting, presently posted as Assistant Director (SPS-17), in BISP Tehsil Office Lyari, on deputation basis, is hereby repatriated to his parent department, at his own request, with immediate effect.

No. F. 1(627)A-II/2012.—In pursuance of this Secretariat's Notification No. 3(261)A-II/2018, dated 18th May, 2020, Ms. Shahina Ahmed has assumed charge of the post of Director (BS-19), in the Wafaqi Mohtasib (Ombudsman)'s Secretariat, Regional Office, Karachi on 18th May, 2020.

This issues with the approval of the Secretary, BISP.

This issues with the approval of competent authority.

No. 1(891)/BISP/HR/2016.—The Un-Authorized absence of Mr. Fahad Anwar Baloch, Assistant Director (SPS-17), BISP Tehsil Office Lyari, for the period from 1st January, 2020 to 9th January, 2020 (9 days) and from 1st February, 2020 to 18th February, 2020 (18 days), is treated as Extra Ordinary Leave (EOL) without pay & allowances, in terms of Rule 9(3) of Revised Leave Rules, 1980.

MOINUDDIN A. SIDDIQI,
Director (Admn.).

This issues with the approval of the Secretary, BISP/Competent Authority.

MINISTRY OF CLIMATE CHANGE

Islamabad, the 4th June, 2020

MUHAMMAD AHMAD USMANI,
Director HR (Regions).

No. F.1(140)/Admn-I/CC/2019.—In pursuance of Establishment Division's Notification No. 04/624/2019-E-I, dated 21st May, 2020, Mr. Hammad Shamimi, a BS-21 officer of Secretariat Group has relinquished the charge of the post of Sr. Joint Secretary (BS-21), in the Ministry of Climate Change on 1st June, 2020.

WAFAQI MOHTASIB (OMBUDSMAN)'S SECRETARIAT

Islamabad, the 29th May, 2020

No. F. 1(999)A-II/2018.—In pursuance of this Secretariat's Notification No. F. 3(204)A-II/2019, dated

DR. MAZHAR HAYAT,
Deputy Secretary (Admn-I).

MINISTRY OF COMMERCE

Islamabad, the 1st June, 2020

No. 1(4)/2018-AOs.—In pursuance of Cabinet decision in Case No. 209/Rule-19/2020, dated 20th March, 2020, the Federal Government has been pleased to approve following terms and conditions of appointment of Mr. Arif Ahmed Khan as Chief Executive (MP-I Scale), Trade Development Authority of Pakistan (TDAP), Karachi, on contract basis for a period of three (03) years, with effect from 8th August, 2019 :-

S. No.	Description	Approved terms and conditions
1.	Position held	Chief Executive-TDAP
2.	Pay Scale	MP-I (Rs. 433,950-33,000-532,950)
3.	Pay	Maximum of MP-I <i>i.e.</i> Rs. 532,950

S. No.	Description	Approved terms and conditions
4.	House Rent Allowance	Rs. 142,000/-
5.	Utilities	Rs. 24,300/-
6.	Monetization of Transport Facility	1300 cc vehicle
7.	TA/DA on official tour domestic	As admissible to Federal Secretary (BS-22).
8.	TA/DA on official tour abroad	As admissible to Federal Secretary (BS-22).
9.	Medical Facilities	Reimbursement of medical and Hospitalization charges for self, spouse and children for treatment received at Government or Government Recognized institutions in Pakistan
10.	Leave	The incumbent shall earn leave on full pay @ 3 days per months for the period of duty. The leave shall be availed during the currency of contract period. Title to leave shall expire on expiry of contract. If given a fresh contract, the period of earned leave available in respect of the previous contract shall not be carried forward.
11.	Gratuity	One month's basic pay for each completed year of service.
12.	Period of contract	As determined by the appointing authority <i>i.e.</i> 3 years
13.	Termination of contract	On one month's notice on either side or payment of one month's basic pay in lieu thereof.
14.	Telephone facility (office)	Unlimited
15.	Telephone facility (Residence)	As admissible to the Federal Secretary (BS-22)
16.	Mobile Phone facility	Upto Rs. 10,000/- per month shall be reimbursed on the basis of actual as per TDAP rules.
17.		He is also allowed to engage in writing, lecturing, and speaking engagements inside Pakistan and abroad and can serve on the Board of Governors / Directors of organization not in conflict with his responsibilities as Chief Executive, TDAP.

NAQEEB ARSHAD,
Deputy Director (AOs).

MINISTRY OF COMMUNICATION

Islamabad, the 1st June, 2020

No. PF.230/2019-Admn.—In pursuance of Establishment Division's Notification No. PF(572)/E-5(PAS), dated 29th May, 2020, Mr. Zafar Hasan, a BS-22 officer of Pakistan Administrative Services, has assumed the charge of the post of Secretary, Ministry of Communication, Government of Pakistan, Islamabad on 1st June, 2020.

MUHAMMAD HASAN SHAFQAAT,
Deputy Secretary.

DEPARTMENT OF THE AUDITOR-GENERAL OF PAKISTAN

Islamabad, the 2nd June, 2020

No. 25-Dir(A)/2-3/20.—The Auditor-General of Pakistan has been pleased to order postings / transfers of following officers of the Pakistan Audit & Accounts Service, with immediate effect and until further orders :-

Sr. No.	Name of Officers M/S	From	To	Remarks
1.	Barkat Saeed Memon, BS-21/PA&AS	Awaiting posting at AGP Office, Islamabad.	Deputy Auditor General (Defence Audit), AGP Office, Islamabad.	Vice Sl. No. 2
2.	Shahzad Raza Syed, BS-21/PA&AS	Deputy Auditor General (Defence Audit), AGP Office, Islamabad.	Awaiting posting at AGP Office, Islamabad.	---
3.	Ghulam Rasool Shah, BS-20/PA&AS	Awaiting posting at Karachi	Deputy Auditor General (North), Peshawar (OPS).	Against a vacant post
4.	Kamran Siddiq, BS-20/PA&AS	Awaiting posting at AGP Office, Islamabad.	Director General Audit, Water Resources, Lahore.	Vice Sl No. 10
5.	Ahmar Ellahi, BS-20/PA&AS	Director General Audit, Climate Change & Environment, Islamabad.	Director General Audit, Foreign & International, Islamabad.	Against a vacant post
6.	Asia Shehryar, BS-20/PA&AS	Director General Audit, Inland Revenue & Customs, Lahore.	Awaiting posting at Lahore	---
7.	Mahfooz Ahmed Bhatti, BS-20/PA&AS	Director General (Policy), AGP Office, Islamabad.	Director General Audit, Climate Change & Environment, Islamabad.	Vice S. No. 5
8.	Moeed Ali, BS-20/PA&AS	Director General Audit, Punjab, Lahore.	Director General Audit, Railways, Lahore.	Vice Sl. No. 11
9.	Muhammad Ali Asif Gilani, BS-20/PA&AS	Director General Audit Works (Provincial), Lahore.	Director General Audit, Inland Revenue & Customs, Lahore.	Vice Sl. No. 6
10.	Muhammad Kamran Rashid Mirza, BS-20/PA&AS	Director General Audit, Water Resources, Lahore.	Director General Audit, Punjab, Lahore.	Vice Sl. No. 8
11.	Arshad Liaquat Chaudhry, BS-20/PA&AS	Director General Audit, Railways, Lahore.	Director General Audit Works (Provincial), Lahore.	Vice Sl. No. 9
12.	Afshan Salman, BS-20/PA&AS	Director General Audit, District Govt. Punjab (N), Lahore.	Chief Internal Auditor, Pakistan Railways, Lahore.	Against a vacant post
13.	Muhammad Raza Shah, BS-19/PA&AS	Director, PAAA, Islamabad.	Director General (Policy), AGP Office, Islamabad (OPS).	Vice Sl. No. 7
14.	Rukhsana Rafique, BS-19/PA&AS	Additional Accountant General Punjab, Lahore.	Director General Audit, District Govt. Punjab (N), Lahore (OPS).	Vice Sl. No. 12

2. This issues in consultation with office of the Controller General of Accounts with respect to officers mentioned at Sl. No. 14.

ZULFIQAR KHAN,
Director (Admn.).

Islamabad, the 1st June, 2020

No. 311/PAAS-II/2-1784/2018.—Consequent upon transfer/posting *vide* Office of the Auditor General of Pakistan Islamabad's Notification No. 13/Dir(A-II)/2-(5/6)/2020-I, dated 1st April, 2020, Ms. Asma Iqbal, a BS-17 Probationary PA&AS Officer, has relinquished the charge as probationer in Pakistan Audit & Accounts Academy, Lahore on 3rd April, 2020 and assumed the charge of the post of Assistant Director (B&A) Office of the Director Budget & Accounts, Pak PWD, Islamabad on 6th April, 2020 (4th & 5th April, 2020 being Saturday & Sunday respectively).

NADIA USMAN,
Assistant Auditor General (PAAS).

Islamabad, the 2nd June, 2020

No. 560/98-Admn-I/C/2018.—Consequent upon approval of the worthy Auditor General of Pakistan notified *vide* No. 609/Dir.(Estt.)/301/Prom/AAO/2017, dated 21st May, 2020, Mr. Muhammad Imran Sarwar, Assistant Audit Officer (B-17) of this office has been promoted as Audit Officer (BS-18) against a DTL vacancy with effect from 1st June, 2020. The officer has assumed the charge of the post of Audit Officer accordingly on the same date.

No. 561/98-Admn-I/C/2018.—Consequent upon approval of the worthy Auditor General of Pakistan notified *vide* No. 609/Dir.(Estt.)/301/Prom/AAO/2017, dated 21st May, 2020, Mr. Abdul Wahab, Assistant Audit Officer (B-17) of this office has been promoted as Audit Officer (B-18) against a DTL vacancy with effect from 28th May, 2020. The officer has assumed the charge of the post of Audit Officer accordingly on the same date.

No. 562/98-Admn-I/C/2018.—Consequent upon approval of the worthy Auditor General of Pakistan notified *vide* No. 609/Dir.(Estt.)/301/Prom/AAO/2017, dated 21st May, 2020, Mr. Muhammad Bilal Sharif, Assistant Audit Officer (B-17) of this office has been promoted as Audit Officer (B-18) against a DTL vacancy with effect from 21 May, 2020. The officer has assumed the charge of the post of Audit Officer accordingly on the same date.

RASHID ANWAR,
Audit Officer (Admn-I).

[OFFICE OF THE CONTROLLER GENERAL OF ACCOUNTS]

Islamabad, the 2nd June, 2020

No. 332/CGA/Admn-I/3-58/2007.—Mr. Maqbool Hussain, Accounts Officer (BS-18) of this office has relinquished the charge of his post on 15th May, 2020 to avail 120 days LFP from 18th May, 2020 to 14th September, 2020, sanctioned *vide* this Office Order No. 314/CGA/Admn-I/03-58/2007,

dated 13th May, 2020 (16th May, 2020 & 17th May, 2020 being Gazetted holidays).

JIBRAN KHAN DURRANI,
Assistant Controller General of Accounts (Admin.).

Islamabad, the 29th May, 2020

No. 372/CGA/Estt/13-5/16/17.—The Deputy Controller General of Accounts has been pleased to order the temporary transfer of Mr. Zahid Hanif, Assistant Private Secretary from office of the Accountant General Punjab, Lahore to Directorate of Budget & Accounts, Pak PWD, Islamabad, for three years from joining that office.

ROIDAR ALI,
Accounts Officer (Establishment).

ELECTION COMMISSION OF PAKISTAN

Islamabad, the 29th May, 2020

No. F. 3(11)/2018-Estt-I.—The Hon'ble Chief Election Commissioner of Pakistan in exercise of powers vested with him *vide* Rule 5(1) (b) of "The Election Rules, 2017" read with sub-para (iii) of the Finance Division's O.M. No. F.3(7)/Exp-III/2000, dated the 25th July, 2000 has been pleased to change the nomenclature of the following posts of Law Officer (BPS-18) under the Election Commission of Pakistan, with immediate effect and until further orders :-

Existing nomenclature of post	New nomenclature of post
1.	2.
Law Officer (BPS-18) in the Office of PEC, Punjab Lahore.	Senior Law Officer (BPS-18) in the Office of PEC, Punjab, Lahore.
Law Officer (BPS-18) in the Office of PEC, Sindh, Karachi.	Senior Law Officer (BPS-18) in the Office of PEC, Sindh, Karachi
Law Officer (BPS-18) in the Office of PEC, KP, Peshawar.	Senior Law Officer (BPS-18) in the Office of PEC, KP, Peshawar.
Law Officer (BPS-18) in the Office of PEC, Balochistan, Quetta.	Senior Law Officer (BPS-18) in the Office of PEC, Balochistan, Quetta.

No. F.15(1)/90-Estt-I (Vol-II).—Mr. Muhammad Javed Khan, a BPS-20 officer of Election Commission of Pakistan, currently posted as Provincial Election Commissioner, Sindh, Karachi is granted 10 days leave on full pay from 1st to 10th June, 2020, alongwith prefix closed holidays falling on 30th & 31st May, 2020, with permission to leave the station.

2. On the expiry of leave, Mr. Muhammad Javed Khan is likely to assume the charge of the same post at the same station.

3. Mr. Muhammad Farid Afridi, Joint Provincial Election Commissioner, Sindh, Karachi is allowed to exercise full financial and administrative powers of the post of PEC, Sindh to run the official business smoothly during the leave period of above officer.

Islamabad, the 1st June, 2020

No. F.3(13)/2009-Estt-I (Vol-I).—In partial modification of this Commission's notification of even number, dated the 15th May, 2020, Dr. Akhtar Nazir, a BS-21 officer of Pakistan Administrative Service, has been appointed as Secretary, Election Commission of Pakistan in BS-22 on deputation basis on standard terms and conditions with immediate effect and until further orders.

This issues with the approval of Hon'ble Chief Election Commissioner of Pakistan.

WASEEM AHMED,
Deputy Director (Estt-I).

MINISTRY OF ENERGY

(Petroleum Division)

Islamabad, the 2nd June, 2020

No. 4(2)/2020-CDN-COVID-19.—In pursuance of Prime Minister's Office, Islamabad U.O. No. 1(25)/DS(EA-III)/2020, dated 14th May, 2020, regarding meeting of "COVID-19 Economic Impact" held on 30th March, 2020, the Think Tank comprising of the following is constituted :

- | | | |
|-------|--|----------------------|
| i) | Mr. Nadeem Babar,
SAPM on Petroleum. | Chairman |
| ii) | Mian Asad Hayaud Din,
Secretary (Petroleum Division). | Member |
| iii) | Mr. Arshad Maqsood Malik,
Executive Director General (EDG),
Policy Wing. | Member |
| iv) | Mr. Muhammad Ayub Chaudhry,
Additional Secretary (Policy) | Member/
Secretary |
| v) | Dr. Shamshad Akhtar | Member |
| vi) | Syed Akhtar Ali | Member |
| vii) | Mr. Zafar Usmani | Member |
| viii) | Mr. Zahid Mir,
Managing Director,
Pakistan Refineries Limited. | Member |
| ix) | Any Co-opted Member. | |

2. The above think tank will identify issues regarding Economic Impact of COVID-19 on E&P Sector and will give recommendations alongwith suggestions on the following :

- i) Innovative cost cutting measures
- ii) Unutilized/dead assets that can be disposed of and mode of their disposal: and,
- iii) Ideas/initiatives for concerned Ministries/Divisions/Organizations to generate/enhance revenues.

3. This issues with the approval of Secretary (Petroleum Division).

SHAHBAZ KHAN,
Section Officer (CDN).

MINISTRY OF FEDERAL EDUCATION &
PROFESSIONAL TRAINING

Islamabad, the 2nd June, 2020

No. F. 9(4)/2020-SD/NFE-I.—Consequent upon approval of the competent authority *i.e.* Secretary, Ministry of Federal Education and Professional Training, Mr. Noman Laiq, JEA/JS (IC) (BS-20) is assigned looking after the work of the post of Director General (BS-20), Basic Education Community Schools (BECS), with effect from 4th May, 2020 in addition to his own duties till posting of regular incumbent.

TANVEER AHMED KAKAR,
Section Officer (SD/NFE-I).

Islamabad, the 2nd June, 2020

No. F. 4-21/2019-AEA(C).—The competent authority *i.e.* Joint Secretary (F.E), Ministry of Federal Education & Professional Training, Islamabad has been pleased to approve the request for early/premature retirement of Dr. Sadia Ashraf, Principal F.G. College of Home Economics and Management Sciences, Islamabad, with effect from 1st August, 2020, subject to completion of all codal formalities and settlement of liabilities/Financial matter pertaining to F.G. College of Home Economics & Management Sciences as Principal and Project Director of F.G. College Home Economics and Management Sciences & Specialized Discipline, F-11/1, Islamabad.

YASMIN HAQ,
Assistant Educational Adviser.

MINISTRY OF FINANCE, REVENUE AND ECONOMIC
AFFAIRS

(Finance Division)

[HRM WING]

Islamabad, the 4th March, 2020

No. F. 1-328/2016-HR-II.—In supersession of this Division's notification of even number, dated 21st February, 2019, on completion of 25 years service, Mr. Nazir Ahmad, Assistant Private Secretary (BS-16) of this Division has been granted LPR for 365 days on full pay from 1st March, 2019 to 29th February, 2020.

After expiry of LPR, he stands retired from Government Service, with effect from 1st March, 2020.

Islamabad, the 9th March, 2020

No. F. 1-459/86-HR-II.—In pursuance of Provision contained in Finance Division (Regulations Wing)'s O.M. No.1(3)R-I/2010/2014, dated 10th September, 2014 read with O.M. of even number, dated 23rd September, 2014 and with the approval of Finance Secretary, Mr. Abdul Naeem Dar, Superintendent (BS-16) of this Division has been granted higher time scale of BS-17, with effect from 28th October, 2019.

Islamabad, the 10th March, 2020

No. PF. 3(283)HR-I/2020.—In pursuance of Establishment Division's Notification No. F.39/998/2013-E-I, dated 26th February, 2020, Ms. Neelofur Hafeez, a BS-20 officer of Secretariat Group, has assumed charge of the post of Joint Secretary, Finance Division, on 2nd March, 2020.

Islamabad, the 31st March, 2020

No. F. 1-3368/2017-HR-II.—Mr. Jahanzeb Khan, Assistant Private Secretary (BS-16) of this Division has been granted 25 days leave on full pay from 24th March, 2020 to 17th April, 2020, subject to title.

On return from leave, he is likely to join the same post at the same station.

Islamabad, the 2nd April, 2020

No. F. 2(4)/2011-HR-II.—Consequent upon recommendation of the Departmental Promotion Committee (DPC) and with the approval of the competent authority, following Stenotypists (BS-14) of this Division are hereby promoted as Assistant Private Secretary (BS-16), with immediate effect :-

S. No.	Name
1.	Mr. Hidayat Ur Rehman

S. No.	Name
2.	Mr. Muhammad Ilyas
3.	Mr. Abdullah Channar
4.	Ms. Rizwana Idris
5.	Mr. Muhammad Nauman

2. They shall be on probation, initially for period of one year and if it is not terminated, it shall be deemed to have been extended for another one year, in terms of Rule 21 of the Civil Servants (Appointment, Promotion and Transfer) Rules, 1973.

Islamabad, the 6th April, 2020

No. F. 1-355/2020-HR-II.—Having been relieved of his duties in the Ministry of Inter Provincial Coordination, Islamabad, Syed Nasir Ali, Assistant Private Secretary (BS-16), has been taken on the roll of this Division, with effect from 25th March, 2020, on deputation basis for a period of (03) three years on standard terms and conditions.

Islamabad, the 21st April, 2020

No. F. 1-285/2012-HR-II.—Mr. Muhammad Boota, Assistant Private Secretary (BS-16), Finance Division, Islamabad, shall stand retired from Government service on attaining the age of superannuation on 5th August, 2020 (according to his date of birth 6th August, 1960).

ANSAR MAHMOOD,
Section Officer (HR-II).

Islamabad, the 2nd March, 2020

No. PF.5(634)HR-I/2011-361.—Mr. Nadeem Arshad, Section Officer, Finance Division, Islamabad is granted five (05) days leave on full pay from 24th to 28th February, 2020, subject to title.

No. PF.4(553)HR-I/2020.—In pursuance of Establishment Division's Notification No. 3-47/2019-E-2, dated 3rd February, 2020, Mr. Tarif-ul-Hassan, a BS-18 officer of Office Management Group has assumed the charge of the post of Deputy Secretary, Finance Division under Section 10 of Civil Servants Act, 1973 on 21st February, 2020.

DR. UMAR JAWAID,
Section Officer (HR-I).

[BUDGET WING]

Rawalpindi, the 23rd April, 2020

Islamabad, the 30th March, 2020

No. F.3(4)GS-II/2012-417.—On the recommendations of Central Selection Board (CSB) and with the approval of Appointing Authority, following Joint Directors (BS-19) of Central Directorate of National Savings are promoted against the posts of Director (BS-20), with immediate effect :-

OFFICERS PROMOTED ON REGULAR BASIS

1. Mrs. Sadaf Zia
2. Mr. Tahir Attique
3. Mr. Hamid Raza Khalid

OFFICER RECOMMENDED FOR APPOINTMENT ON ACTING CHARGE BASIS

1. Mrs. Shazia Nawaz
2. The officers promoted on regular basis shall be on probation for a period of one year, extendable for a further period not exceeding one year. If no order is made before or after expiry of the first year of probation, it will be deemed to have been extended for a further period not exceeding one year.

M. ARIF TAHSEEN,
Deputy Secretary (GS).

[MILITARY FINANCE WING]

Rawalpindi, the 20th April, 2020

No. F. 5-1/HRM-I/890.—In terms of Establishment Division's O.M. No. 1/21/76-AR.I/R-II, dated 18th June, 1980, Mr. Maqsood Ahmad Qureshi, Superintendent of office of FA (DP) of this Wing has been allowed to hold the current charge against the vacant post of Assistant Financial Adviser (DP) for a period of 03 months, with effect from 10th April, 2020 or till the posting of regular incumbent whichever is earlier.

Rawalpindi, the 22nd April, 2020

No. F. 5-1/HRM-I/918.—In terms of Establishment Division's O.M. dated 18th June, 1980, Mr. Azhar Hussain Gillani, Superintendent of FA (Army) Office of this Wing has been allowed to hold current charge against the vacant post of Assistant Financial Adviser in FA (Army) office of this Wing for a period of three months, with effect from 22nd April, 2020 or till the posting of regular incumbent whichever is earlier.

No. F. 15-596/HRM-I/919.—Mr. Laeeq-ur-Rehman, Assistant Financial Adviser of this Wing has been granted 15 days LFP on medical grounds, with effect from 16th April, 2020 to 30th April, 2020.

After expiry of leave, the officer will resume his duties on the same post at the same station.

Rawalpindi, the 5th May, 2020

No. F. 5-1/HRM-I/981.—In terms of Establishment Division's O.M. dated 18th June, 1980, Mr. Muhammad Naveed Akbar, Assistant Financial Adviser of this Wing has been allowed to hold current charge against the vacant post of Deputy Financial Adviser (B&HRM) for a period of 03 months, with effect from 4th May, 2020 or till the posting of regular incumbent whichever is earlier.

Rawalpindi, the 7th May, 2020

No. F. 5-1/HRM-I/1004.—In terms of Establishment Division's O.M. dated 18th June, 1980, Mr. Saf-ur-Rehman, Superintendent (BC-I) of this Wing has been allowed to hold current charge against the vacant post of Assistant Financial Adviser (BC-III) for a period of 03 months, with effect from 4th May, 2020 or till the posting of regular incumbent whichever is earlier.

No. F. 5-1/HRM-I/1005.—In terms of Finance Division's O.M. dated 18th March, 1987, Mr. Imran Afraz Khan, AFA (R-II) of this Wing has been allowed to hold Additional charge of the post of Assistant Financial Adviser (R-V) in addition to his own duties for a period of three months, with effect from 4th May, 2020 or till the posting of regular incumbent whichever is earlier.

MUHAMAMD ALI DURRANI,
Assistant Financial Adviser (HRM-I).

(Revenue Division)

Islamabad, the 18th May, 2020

No. 1(36)/2017-Admn.—In pursuance of Establishment Division's Notification No. 1-45/2012-E-2, dated April 13, 2020, Mr. Abdul Wahid Thahim, a BS-19 officer of Secretariat Group has been relieved from this Division, with effect from 14th May, 2020..

No. 2(5)/2011-Admn.—Mr. Abdul Hamid, Assistant Private Secretary (BS-16) of this Division will stand retired from Government service on attaining the age of superannuation, with effect from 21st March, 2021.

This issues with the approval of Additional Secretary, Revenue Division.

MADEEHA KHATTAK,
Section Officer (Admn.).

[FEDERAL BOARD OF REVENUE]

Islamabad, the 6th March, 2020

No. 0432-MIR-IV/2020.—Mr. Zaeem Ahsan Qazi, Inspector-IR (BS-16), Regional Tax Office, Abbottabad is transferred and posted at Regional Tax Office, Islamabad, with immediate effect and until further orders.

If the above named Inspector-IR is drawing Performance Allowance prior to issuance of this notification, he shall continue to draw the same on the new place of posting.

He is requested to relinquish / assume charge, using online HRMS facility made available at all FBR major field officer or by using IJP login.

No. 0431-IR-IV/2020.—Ms. Mahjabeen Akhtar, Inspector-IR (BS-16), Regional Tax Office, Islamabad is granted 2 years (730 days) leave *ex-Pakistan* from the date of availing (to be availed within 30 days from the issuance of notification) to visit Qatar as under :-

(i) 146 days leave on half pay.

(ii) 584 days leave without pay.

2. The Federal Board of Revenue, Government of Pakistan has no objection to the proceeding abroad of the above named Inspector-IR during her leave period.

3. The performance allowance for a total number of 48 days in a calendar year shall be admissible to the above named Inspector-IR and after that period shall remain discontinued.

Islamabad, the 9th March, 2020

No. 0448-IR-IV/2020.—Ms. Gul-e-Rana Dilawar, Assistant Private Secretary (BS-16), Regional Tax Office-III, Karachi is promoted to the post of Private Secretary (BS-17) on regular basis with immediate effect.

The promotion will take effect from the date of her joining, subject to the condition that no disciplinary proceeding is pending against her.

If the above named officer is drawing performance allowance/FBR fixed allowance, she will continue to draw the same on her promotion.

FBR Congratulates the aforementioned officer on her promotion.

No. 0447-IR-IV/2020.—The competent authority has been pleased to approve the name of Ms. Sobia Mukhtar, Inspector -IR (BS-16), Corporate Regional Tax Office, Lahore who has been selected through the Internal Job Posting Process for grant of Performance Allowance with effect from 24th February, 2020.

The above named Inspector is entitled to draw performance allowance subject to the condition that no disciplinary proceedings/inquiry are pending against her.

The grant of Performance Allowance will be governed through the terms and conditions laid down *vide* Circular No. 6(96)S(BIC)/2013-14, dated 6th March, 2015.

Islamabad, the 10th March, 2020

No. 0452-IR-IV/2020.—On attaining the age of superannuation Mr. Muhammad Khalil Nagra, Private Secretary (BS-17), Large Taxpayers Unit, Lahore stood retired from Government Service, with effect from 19th February, 2020.

This supersedes Board's earlier Notification No. 1787-IR-IV/2019, dated 17th July, 2019.

No. 0454-IR-IV/2020.—On attaining the age of superannuation Mr. Aurang Zeb Joyia, Inland Revenue Officer (BS-16), Regional Tax Office, Sahiwal shall stand retired from Government Service, with effect from 30th April, 2020.

No. 0457-IR-IV/2020.—On attaining the age of superannuation Mr. Muhammad Sarfraz Khan, Inspector IR (BS-16), Corporate Regional Office, Lahore shall stand retired from Government Service, with effect from 22nd May, 2020.

Islamabad, the 12th March, 2020

No. 0480-IR-IV/2020.—On attaining the age of superannuation Mr. Alam Sher, Assistant Private Secretary (BS-16), Large Taxpayers Unit, Karachi shall stand retired from Government Service, with effect from 16th September, 2020.

No. 0481-IR-IV/2020.—On attaining the age of superannuation Mr. Muhammad Parvez, Inland Revenue Officer (BS-16), Large Taxpayers Unit, Karachi shall stand retired from Government Service, with effect from 5th October, 2020.

No. 0479-IR-IV/2020.—On attaining the age of superannuation Mr. Shaheen Ahmad, Office Superintendent (BS-16), Regional Tax Office-II, Lahore stood retired from Government Service, with effect from 3rd March, 2020.

No. 0483-IR-IV/2020.—On attaining the age of superannuation Mr. Ghulam Muhammad Memon, Inland Revenue Officer (BS-16), Regional Tax Office, Hyderabad shall stand retired from Government Service, with effect from 19th July, 2020.

No. 0482-IR-IV/2020.—On attaining the age of superannuation Syed Shaheen Ahmed, Office Superintendent (BS-16), Regional Tax Office-III, Karachi shall stand retired from Government Service, with effect from 6th June, 2020.

Islamabad, the 13th March, 2020

No. 0488-IR-IV/2020.—Transfer/ posting order of Mr. Muhammad Khalid, Inspector-IR (under suspension)

from Regional Tax Office-II, Karachi to Large Taxpayers Unit, Karachi (mentioned at Sr. No. 173) made *vide* Board's Notification No. 1667-MIR-IV/2019, dated 5th July, 2019 is hereby cancelled *ab-initio*.

No. 0484-IR-IV/2020.—Mr. Muhammad Ashraf Khan Baloch (Personal No. 50028926), Superintendent (BS-16), Federal Board of Revenue (HQ), Islamabad is granted 15 days leave on full pay, with effect from 10th March, 2020 to 24th March, 2020.

He will be entitled to draw performance allowance-FBR, if already drawing, during the leave period as per standing instructions on the subject of IJP.

This issues with the approval of Chief (Management), FBR.

Islamabad, the 16th March, 2020

No. 0499-MIR-IV/2020.—Postings / transfers orders of the following Inspectors-IR (BS-16) are made with immediate effect and until further orders :-

S. No.	Name of Inspectors	From	To
1.	Mr. Muhammad Imran Khan Niazi	Regional Tax Office, Multan.	Directorate of Intelligence & Investigation (IR), Multan.
2.	Mr. Muhammad Javed	Regional Tax Office, Multan.	Directorate of Intelligence & Investigation (IR), Multan.

2. If the above named Inspectors are drawing performance allowance prior to issuance of this notification, they shall continue to draw the same on the new place of posting.

3. They are requested to relinquish/assume charge, using online HRMS facility made available at all FBR major field offices or by using IJP login.

Islamabad, the 17th March, 2020

No. 0501-IR-IV/2020.—The Competent Authority has been pleased to approve the names of following Inspectors Inland Revenue (BS-16), Regional Tax Office, Gujranwala who have been selected through the Internal Job Posting Process for grant of Performance Allowance with effect from 9th March, 2020 :-

- (i) Mr. Waqas Zafar Kurar, Inspector-IR (BS-16).
- (ii) Ms. Maryam Yaqoob, Inspector-IR (BS-16).
- (iii) Ms. Zakia Shafi, Inspector-IR (BS-16).

2. The above named Inspectors are entitled to draw Performance Allowance subject to the condition that no disciplinary proceedings/inquiry are pending against them.

3. The grant of Performance Allowance will be governed through the terms and conditions laid down *vide* Circular No. 6(96)S(BIC)/2013-14, dated 6th March, 2015.

No. 0500-IR-IV/2020.—The Competent Authority has been pleased to approve the names of following Inspectors Inland Revenue (BS-16), Regional Tax Office, Hyderabad who have been selected through the Internal Job Posting Process for grant of Performance Allowance with effect from 9th March, 2020 :-

- (i) Mr. Sohail Afzal, Inspector-IR (BS-16).
- (ii) Ms. Mahkar, Inspector-IR (BS-16).
- (iii) Ms. Zeenat Inspector-IR (BS-16).

2. The above named Inspectors are entitled to draw Performance Allowance subject to the condition that no disciplinary proceedings/inquiry are pending against them.

3. The grant of Performance Allowance will be governed through the terms and conditions laid down *vide* Circular No. 6(96)S(BIC)/2013-14, dated 6th March, 2015.

Islamabad, the 20th March, 2020

No. 0513-IR-IV/2020.—The following Stenotypists (BS-14) are promoted to the post of Assistant Private Secretary (BS-16), Federal Board of Revenue (HQ), Islamabad, with immediate effect :-

1.	Mr. Kamal Mahmood
2.	Mr. Muhammad Arfan
3.	Mr. Siddique Khan
4.	Mr. Muhammad Mubashir Qureshi

2. They will be on probation for a period of one year, extendable for further period, not exceeding one year, provided that if no order is issued by the day following the termination of probationary period, the appointment shall be deemed to be held until further orders.

3. The above named officers, if already drawing, will continue to draw Performance Allowance-FBR.

4. FBR Congratulates the aforementioned officers on their promotion.

No. 0519-MIR-IV/2020.—Mr. Sahib Zada, Inspector-IR (BS-16), Regional Tax Office, Rawalpindi is transferred and posted at Large Taxpayers Unit, Islamabad with immediate effect and until further orders.

If the above named Inspector is drawing performance allowance prior to issuance of this notification, he shall continue to draw the same on the new place of posting.

He is requested to relinquish/assume charge, using online HRMS facility made available at all FBR major field offices or by using IJP login.

Islamabad, the 24th March, 2020

3.	Mr. Siddique Khan
4.	Mr. Muhammad Mubashir Qureshi

Islamabad, the 25th March, 2020

No. 0542-IR-IV/2020.—In pursuance of Board's Notification No. 0513-IR-IV/2020, dated 20th March, 2020, the following officials have assumed the charge of the post of Assistant Private Secretary (BS-16) in Federal Board of Revenue (HQ), Islamabad, with effect from 20th March, 2020 :-

1.	Mr. Kamal Mahmood
2.	Mr. Muhammad Arfan

Islamabad, the 27th March, 2020

No. 0581-IR-IV/2020.—The following Inspectors Inland Revenue and Assistant Private Secretary are promoted on regular basis as Inland Revenue Officers (BS-16), with immediate effect :-

S. No.	Name of Officers	Office Name
1.	Syed Riaz Hussain	Regional Tax Office-II, Lahore
2.	Mr. Muhammad Afzal Javed	Regional Tax Office-II, Lahore
3.	Mr. Safdar Hussain	Regional Tax Office, Islamabad
4.	Mr. Muhammad Shafique Qaiser, APS	Regional Tax Office, Bahawalpur

2. The above mentioned officers are promoted subject to the condition that no disciplinary proceeding are pending against them. They may relinquish the charge of their present post and assume the charge of the post of Inland Revenue Officer (BS-16).

3. The above named officers if already drawing Performance Allowance - FBR will continue to draw the same on their promotion.

4. FBR Congratulates the aforementioned officers on their promotion.

Islamabad, the 30th March, 2020

No. 0583-MIR-IV/2020.—Mr. Muhammad Yaqoob, Inspector-IR (BS-16), Large Taxpayers Unit, Karachi is transferred and posted at Directorate of Internal Audit (IR), Karachi, with immediate effect and until further orders.

2. If the above named Inspector is drawing Performance Allowance prior to issuance of this notification, he shall continue to draw the same at the new place of posting.

3. The above named Inspector stands relieved to join his new place of posting.

MIRZA MUHAMMAD SAEED,
Second Secretary (Mgt-IR-IV).

(Economic Affairs Division)

Islamabad, the 25th March, 2020

No. 1(1280)/EA/A-I/2011.—Mr. Abdul Wakeel, Superintendent (BS-17) is assigned with effect from 7th March, 2020, Current Charge of the higher post of Section Officer (IsDB-I) (BS-17/18), Economic Affairs Division for a period of three months (90 days) or till the availability of a regular incumbent of the post whichever is earlier. As per rules, he will be entitled to draw "Special Pay" equal to 20% of basic pay subject to a maximum of Rs.12,000/-*p.m.* whichever is less.

This issues with the approval of Secretary, Economic Affairs Division.

Islamabad, the 1st April, 2020

No. F.1-1278/EA/AI/2013.—Twenty six (26) days leave on full pay with effect from 16th March, to 10th April, 2020, granted to Mr. Muhammad Bashir Shahid, Senior Private Secretary (BS-19), (Personnel No.50025986), Economic Affairs Division *vide* this Division's notification of even number dated 12th March, 2020 may be treated as cancelled.

Islamabad, the 3rd April, 2020

No. 1-1386/EA/AI/2017.—In pursuance of Establishment Division's Notification No.PF(549)/E-5 (PAS), dated 30th March, 2020, Mr. Ahmad Hanif Orakzai, as BS-21 Officer of Pakistan Administrative Service, has relinquished the charge of the post of Additional Secretary, Economic Affairs Division on 30th March, 2020.

No. 1(13)EA/A-I/2020.—In pursuance of Establishment Division's Notification No.F.9/4/2019-E-I dated 30th March, 2020, Syeda Adeela Bokhari (BS-20/IRS), has assumed charge of the post of Joint Secretary, Economic Affairs Division, on 1st April, 2020, under Section 10 of Civil Servants Act, 1973.

No. 1(27)/EA/AI/2018.—In pursuance of Office of the Auditor General of Pakistan Islamabad's Notification No.7-Dir (A)/2-8/2015/Vol-III dated 4th March, 2020, Mr. Muhammad Omer Cheema, BS-20/PA&AS officer, has relinquished the charge of the post of Chief Finance & Accounts Officer, Economic Affairs Division on 1st April, 2020.

Islamabad, the 6th April, 2020

No. 1-1386/EA/AI/2017.—In pursuance of Establishment Division's Notification No.F.PF(549)/E-5(PAS), dated 30th March, 2020, Mr. Ahmad Hanif Orakzai, a BS-21 Officer of Pakistan Administrative Service, has relinquished the charge of the post of Additional Secretary, Economic Affairs Division on 30th March, 2020.

No. 1(25)/EA/AI/2019.—On promotion to BS-19 on regular basis in Secretariat Group *vide* Establishment Division's Notification No.1-48/2019-E-2, dated 31st March, 2020, Mr. Saleem Shahzad Malik, a BS-18 Officer of the OMG, has relinquished charge of the post of Deputy Secretary, under section 10 of the Civil Servants Act, 1973 and assumed charge of the post of Deputy Secretary, (BS-19/SG) in Economic Affairs Division with effect from 31st March, 2020.

Islamabad, the 4th May, 2020

No. F.1(22)EA/AI/2019.—After availing sixty (60) days leave on full pay with effect from 2nd March to 30th April, 2020, granted to him *vide* this Division's notification of even number dated 26th February, 2020, Mr. Mukhtar Hussain Shah, Superintendent (BS-16), (Personnel No.50053024), Economic Affairs Division has resumed charge of the same post in this Division on 4th May, 2020 (1st to 3rd May, 2020 being holidays).

No. 1(1)/EA/A-I/2019.—Ms. Humaira Atif, Section Officer (ME-II) is assigned with immediate effect, additional charge of the post of Section Officer (ME-I), EC Wing, Economic Affairs Division for a period of three months (90 days) or till the availability of regular incumbent of the post whichever is earlier. As per rules, she will be entitled to draw "Special Allowance" equal to @20% of basic pay subject to a maximum of Rs.12000/- *p.m.* whichever is less.

Additional Charge of the post of Section Officer (ECO/SEF) already assigned to Ms. Humaira Atif, Section Officer (ME-II) *vide* this Division's notification of even number dated 6th March, 2020 is discontinued with immediate effect.

This issues with the approval of Secretary, Economic Affairs Division.

Islamabad, the 6th May, 2020

No. 1(4)/EA/AI/2020.—Mr. Muhammad Younus, Accounts Officer (Accounts-I/II) is assigned with immediate effect, current charge of the higher post of Director of Accounts (Budget) DM Wing, Economic Affairs Division for a period of three months (90 days) or till the availability of regular incumbent of the post whichever is earlier. As per rules, he will be entitled to draw "Special Pay" equal to @20% of basic pay subject to a maximum of Rs.12000/- *p.m.* whichever is less.

Current Charge of the post of Director of Accounts (Accounts) already assigned to Mr. Muhammad Younus, Accounts Officer (Accounts-I/II), *vide* this Division's notification of even number dated 18th February, 2020 is discontinued with immediate effect.

This issues with the approval of Secretary, Economic Affairs Division.

No. 1(17)/EA/AI/2020.—Mr. Farooq Ahmed, Director Accounts (Accounts) (BS-18) is assigned with immediate effect, additional charge of the post of Section Officer (DM) DM Wing, Economic Affairs Division for a period of three months (90 days) or till the availability of regular incumbent of the post whichever is earlier. As per rules, he will be entitled to draw "Special Allowance" equal to @10% of basic pay (non-identical post) subject to a maximum of Rs.12000/- *p.m.* whichever is less.

This issues with the approval of Secretary, Economic Affairs Division.

No. 1(21)/EA/AI/2018.—In partial modification of this Division's notification of even number dated 13th April, 2020, Ms. Aaleen Mehboob, Section Officer (UN-III) is assigned with immediate effect from 14th February, 2020, additional charge the post of Section Officer (UN-II), UN Wing, Economic Affairs Division for a period of three months (90 days). As per rules, she will be entitled to draw "Special Allowance" equal to @20% of basic pay subject to a maximum of Rs.12000/- *p.m.* whichever is less.

This issues with the approval of Secretary, Economic Affairs Division.

Islamabad, the 11th May, 2020

No. 1-1219/EA/AI/2012.—Mr. Naeem Akram, Assistant Chief (Policy-I) is assigned with effect from 29th April, 2020, additional charge of the vacant post of Assistant Chief (Policy-III), PA&D Wing, Economic Affairs Division for a period of three months (90 days) or till the availability of regular incumbent whichever is earlier. As per rules, he will be entitled to draw special allowance equal to @20% of basic pay subject to a maximum of Rs.12000/- *p.m.* whichever is less.

This issues with the approval of Secretary, Economic Affairs Division.

No. 5(63)EA/AI/2015.—Mr. Muhammad Afzal, Assistant Private Secretary (BS-16) is assigned with effect from 24th April, 2020, current charge of the post of Private Secretary (BS-17) Economic Affairs Division for a period of three months (90 days) or till the availability of regular incumbent whichever is earlier. As per rules, he will be entitled to draw "special pay" equal to @20% of basic pay subject to a maximum of Rs.12000/- *p.m.* whichever is less.

This issues with the approval of Secretary, Economic Affairs Division.

No. 1-1393/EA/AI/2017.—In pursuance of Establishment Division's Notification No.F.39/1085/2019-E-I dated 30th March, 2020, Ms. Marvi Kadir Dakhan, a BS-20 Officer of

Secretariat Group, has relinquished the charge of the post of Joint Secretary, Economic Affairs Division on 8th April, 2020.

Islamabad, the 12th May, 2020

No. 1(7)/EA/AI/2018.—Ms. Shumaila Khan, Research Officer (Dev-I) PA&D Wing, is assigned with effect from 30th April, 2020, Additional Charge of the post of Section Officer (Eur-III), PC Wing, Economic Affairs Division for a period of three months (90 days). As per rules, she will be entitled to draw "Special Allowance" equal to @10% (non-technical post) of basic pay subject to a maximum of Rs.12000/- *p.m.* whichever is less.

This issues with the approval of Secretary, Economic Affairs Division.

Islamabad, the 18th May, 2020

No. 1-1279/EA/A-I/2013.—Mr. Zahoor Hussain, Superintendent is assigned with effect from 8th May, 2020, Current Charge of the higher post of Section Officer (IsDB-II), Economic Affairs Division for a period of three months (90 days) or till the availability of regular incumbent of the post whichever is earlier. As per rules, he will be entitled to draw "Special Pay" equal to @20% of basic pay subject to a maximum of Rs.12000/- *p.m.* whichever is less.

This issues with the approval of Secretary, Economic Affairs Division.

SAJID HUSSAIN ABBASI,
Section Officer (Admin-I).

Islamabad, the 21st April, 2020

No. 1-1340/EA/A-I/2015.—Mr. Sajid Hussain Abbasi, Superintendent (Pension Cell), is assigned, Current Charge of the higher post of Section Officer (Admin-I), Economic Affairs Division with effect from 17th April, 2020 for a period of three months (90 days) or till the availability of regular incumbent of the post whichever is earlier. As per rules, he will be entitled to draw Special Pay equal to @20% of basic pay subject to a maximum of Rs.12,000/- *p.m.* whichever is less.

This issues with the approval of Secretary Economic Affairs Division.

Islamabad, the 18th May, 2020

No. F.1(139)EA/Admin-II/2007.—Mr. Zahid Bashir, Stenotypist (BPS-14), Secretary (BS-16) in the office of Joint Secretary (Admin), Economic Affairs Division

with effect from 13th May, 2020 to 20th August, 2020 for a period of 90 days or till the availability of a regular incumbent of the post, whichever is earlier.

This issues with the approval of Secretary, EAD.

KHALID MAHMOOD,
Section Officer (Admin-II).

MINISTRY OF FOREIGN AFFAIRS

Islamabad, the 12th March, 2020

No. Estt (III)-41/9/2000.—Consequent upon his promotion, Mr. Shoaib Sarwar relinquished charge of the post of Counsellor (BPS-19) in the Consulate General of Pakistan, Loss Angeles on 25th February, 2020 (forenoon) & assumed charge of the post of Minister (BS-20) (forenoon) on the same date at the same station.

SYEDA NAILA BATOOL,
Assistant Director (Estt-III).

Islamabad, the 3rd March, 2020

No. Estt (III)-41/10/2000.—In supersession of this Ministry's earlier notification of even number dated 11th February, 2020 and consequent upon his transfer to Embassy of Pakistan, Niamey, Mr. Ahmed Ali Sirohey, has relinquished charge of the post of Counsellor (BS-19) on 7th February, 2020 in the High Commission for Pakistan, Bandar Seri Begawan (Brunei) and has assumed charge of the post of Counsellor (BS-19) in the Embassy of Pakistan, Niamey (Niger) on 17th February, 2020.

No. Estt (I)-3/23/2007.—Consequent upon relinquishment of charge by the Ambassador, Mr. Azeem Ullah Cheema, First Secretary, assumed charge of the Charge d' Affaires (*a.i.*) (BPS-18) in the Embassy of Pakistan, Brasilia, on 27th February, 2020.

No. Estt (III)-49/06/2015.—Consequent upon completion of contract period of Ambassador, Pahic Malé (Maldives) on 20th January, 2020, Mr. Zulqarnain Ahmad, Second Secretary assumed charge of the post of Charge d' affaires (*a.i.*) on 21st January, 2020 and relinquished the charge of the post of Charge d' affaires (*a.i.*) on 19th February, 2020 in the High Commission for Pakistan, Malé (Maldives).

No. Estt (III)-41/5/2018.—Consequent upon transfer of the Ambassador, Ms. Ismat Hussain Sial has assumed charge of the post of Charge d' Affaires in the Embassy of Pakistan, Copenhagen (Denmark) on 20th January, 2020.

Islamabad, the 4th March, 2020

No. Estt (III)-41/64/95.—Consequent upon his transfer as Member Directing Staff at National Defence University (NDU), Islamabad Mr. Sajjad Ahmed Seehar, relinquished charge of the post of Director General (BPS-20) in the Ministry of Foreign Affairs, Islamabad on 16th January, 2020 (afternoon).

No. Estt (III)-41/10/2000.—Consequent upon his promotion from BPS-19 to BPS-20, Mr. Ahmed Ali Sirohey, has relinquished charge of the post of Counsellor (BPS-19) on 17th February, 2020 and has assumed charge of the post of Minister (BPS-20) in the Embassy of Pakistan, Niamey (Niger) on 17th February, 2020.

No. Estt (III)-43/1/2019.—After availing leave on full pay (LFP), with effect from 1st February, 2020 to 28th February, 2020. Mr. Fahad Saleem has assumed the charge of the post of Assistant Director (BPS-17) on 2nd March, 2020 in the Ministry of Foreign Affairs, Islamabad.

Islamabad, the 5th March, 2020

No. Estt (III)-41/32/95.—Consequent upon his transfer from the Embassy of Pakistan, Brasilia to Ministry of Foreign Affairs (Headquarters), Islamabad, Mr. Najm us Saqib, has relinquished charge of the post of Ambassador (BPS-21) in the Embassy of Pakistan, Brasilia on 26th February, 2020 and assumed charge of the post of Additional Secretary (BPS-21) in the Ministry of Foreign Affairs, Islamabad on 2nd March, 2020. His intervening period is as under:

- | | |
|--|-------------------------|
| a. Charge relinquished at Parep Brasilia | 26 February, 2020 |
| b. Transit | 27-28 February, 2020 |
| c. Weekend (Closed Holidays) | 29 Feb. & 01 Mar., 2020 |
| e. Joined Headquarters | 02 March, 2020 |

No. Estt (I)-8/66/2015.—Consequent upon his transfer from Parep Rabat to the Headquarters, Mr. Fariz Hasan assumed the charge of the post of Deputy Director (BPS-18) in the Ministry of Foreign Affairs, Islamabad, on 12th February, 2020.

Islamabad, the 6th March, 2020

No. Estt (I)-2/28/1995.—Consequent upon her transfer from Parep Beijing to Parep Seoul, Ms. Mumtaz Zahra Baloch, assumed charge of the post of Ambassador (BS-20) in the Embassy of Pakistan, Seoul, on 21st February, 2020.

NAMRA AWAIS,
Assistant Director (Estt.-I).

[OFFICE OF THE CHIEF ACCOUNTS OFFICER]

5th March, 2020 in order to join his duties at Pakistan Mint, Lahore.

Islamabad, the 2nd March, 2020

(Chief Accounts Officer approval at Para 94/N at page 13/N.)

No. Admn/739-19/P.F.—After having been approved by the competent authority, Mr. Abdul Majeed Ahmed, Senior Auditor of Office of the Chief Accounts Officer, Ministry of Foreign Affairs, Islamabad has been allowed to avail the leave on account of full pay. Detail as under:-

No. Admn/97-01/P.F.—Consequent upon his posting abroad in Finance & Accounts Wing, Washington, Mr. Imran Ahmed, Senior Auditor (BPS-16) of this office has been relieved off from his duties in this office on 5th March, 2020 to join his new assignment in office of the Finance & Accounts Officer, Embassy of Pakistan, Washington.

L.F.P. for 25 days w.e.f. 24.03.2020 to 17.04.2020

2. After expiry of above mentioned leave, officer will assume the charge of the same post in this office on 20th April, 2020.

He is advised to report for duty in the mission after availing usual transit and joining time as admissible under the rules.

No. Admn/548-07/P.F.—After having been approved by the competent authority, Mr. Shahid Mehmood, Senior Auditor of Office of the Chief Accounts Officer, Ministry of Foreign Affairs, Islamabad has been allowed to avail the leave on account of full pay. Detail as under:-

(Approval at para 80/n, page 09/N of PF/Vol-II)

L.F.P. for 19 days w.e.f. 02.03.2020 to 20.03.2020

2. After expiry of above mentioned leave, officer will assume the charge of the same post in this office on 24th March, 2020.

Islamabad, the 11th March, 2020

No. Admn/509-07/P.F.—Consequent upon expiry of leave LFP for 18 days with effect from 21st February, 2020 to 9th March, 2020 granted *vide* notification of even number dated 19th February, 2020 Mr. Zahid Amin, has assumed charge of the post of Senior Auditor (BPS-16) in office of the Chief Account Officer, Ministry of Foreign Affairs Islamabad on 10th March, 2020.

No. Admn/526-07/P.F.—Consequent upon expiry of leave LFP for 11 days with effect from 18th February, 2020 to 28th February, 2020 granted *vide* notification of even number dated 25th February, 2020 Mr. Fateh Sher Jogi, has assumed charge of the post of Senior Auditor (BPS-16) in office of the Chief Accounts Officer, Ministry of Foreign Affairs Islamabad on 2nd March, 2020.

Islamabad, the 12th March, 2020

No. Admn/567-08/P.F.—Consequent upon expiry of leave LFP for 5 days with effect from 2nd March, 2020 to 6th March, 2020 granted *vide* notification of even number dated 26th February, 2020 Mr. Shams uz Zaman, has assumed charge of the post of Assistant Accounts Officer (BPS-17) in office of the Chief Accounts Officer, Ministry of Foreign Affairs Islamabad on 9th March, 2020.

Islamabad, the 4th March, 2020

No. Admn/129-01/P.F.—After having been approved by the competent authority, Mr. Saadullah, Senior Auditor of Office of the Chief Accounts Officer, Ministry of Foreign Affairs, Islamabad has been allowed to avail the leave on account of full pay. Detail as under:-

No. Admn/678-19/P.F.—Consequent upon expiry of leave LFP for 12 days with effect from 24th February, 2020 to 6th March, 2020 granted *vide* notification of even number dated 25th February, 2020 Ms. Noor ul Huda, has assumed charge of the post of Senior Auditor (BPS-16) in office of the Chief Accounts Officer, Ministry of Foreign Affairs Islamabad on 9th March, 2020.

L.F.P. for 10 days w.e.f. 04.03.2020 to 13.03.2020

2. After expiry of above mentioned leave, officer will assume the charge of the same post in this office on 16th March, 2020.

Islamabad, the 13th March, 2020

No. Admn/169-01/P.F./Vol-II.—Consequent upon expiry of leave LFP for 53 days with effect from 14th January, 2020 to 6th March, 2020 granted *vide* notification of even number dated 16th January, 2020 Ms. Shabana Ayub, has assumed charge of the post of Assistant Accounts Officer (BPS-17) in office of the Chief Accounts Officer, Ministry of Foreign Affairs Islamabad on 9th March, 2020.

Islamabad, the 5th March, 2020

No. Admn/726-19/P.F.—Consequent upon his appointment as Procurement Officer (BPS-17) in Pakistan Mint, Lahore Mr. Muhammad Waheed Nasir, has relinquished the charge of the post of Senior Auditor (BPS-16) in the office of the Chief Accounts Officer, Ministry of Foreign Affairs, Islamabad on 5th March, 2020. The officer has been relieved from his duties in this office on

Islamabad, the 17th March, 2020

No. Admn/169-01/P.F./Vol-II.—After having been approved by the competent authority, Ms. Shabana Ayub,

Assistant Accounts Officer (BPS-17) of Office of the Chief Accounts Officer, Ministry of Foreign Affairs, Islamabad has been allowed to avail the leave on account of full pay as detailed below:-

L.F.P. for 31 days with effect from 16.03.2020 to 15.04.2020

2. After expiry of above mentioned leave, officer will assume the charge of the same post in this office on 16th April, 2020.

AMMARA HASSAN,
Assistant Chief Accounts Officer (Admn.).

MINISTRY OF HOUSING & WORKS

Islamabad, the 15th May, 2020

No. F.11(6)94-Admn-III.—In continuation of this Ministry's order dated 20th February, 2020 and with the approval of the competent authority / Secretary (H&W), Mr. Khurshid Ahmed Mirza, Assistant Executive Engineer (Civil) (BS-17), Director General's Office, Pak. PWD, Islamabad is hereby reinstated into Government Service with immediate effect.

SYED ZEESHAN RAZA ZAIDI,
Section Office (Admn-III).

MINISTRY OF HUMAN RIGHTS

Islamabad, the 19th May, 2020

No. F.1-14/2020-Admn.—In pursuance of this Ministry's Offer of Appointment Letter No.4(5)/2019-Admn, dated 16th March, 2020 and on acceptance of the terms and conditions, Mr. Ishtiaq Hussain S/o. Malik Qurban Hussain has been appointed as System and Data Analyst (BS-18) in the project titled "Establishment of Human Rights Information Management System" on two years contract basis with effect from 5th May, 2020.

This issues with the approval of the Secretary, Ministry of Human Rights, Islamabad.

No. F.1-6/2020-Admn.—In pursuance of this Ministry's Offer of Appointment Letter No.4(4)/2019-Admn, dated 16th March, 2020 and on acceptance of the terms and conditions, Mr. Masood Athar S/o. Syed Mahmood Athar has been appointed as Superintendent / DDO (BS-17) in the project titled "Institutional Strengthening of Ministry of Human Rights" on two years contract basis with effect from 5th May, 2020.

His appointment is subject to provision of final Medical Fitness Certificate within 3 months, failing which his appointment would stand cancelled.

This issues with the approval of the Secretary, Ministry of Human Rights, Islamabad.

No. F.1-16/2020-Admn.—In pursuance of this Ministry's Offer of Appointment Letter No.4(5)/2019-Admn, dated 16th March, 2020 and on acceptance of the terms and conditions, Mr. Muhammad Asif S/o. Said Rasool has been appointed as Database Administrator (BS-17) in the project titled "Establishment of Human Rights Information Management System" on two years contract basis with effect from 25th March, 2020.

This issues with the approval of the Secretary, Ministry of Human Rights, Islamabad.

No. F.1-15/2020-Admn.—In pursuance of this Ministry's Offer of Appointment Letter No. 4(5)/2019-Admn, dated 16th March, 2020 and on acceptance of the terms and conditions, Mr. Waqas Adress S/o. Muhammad Adress has been appointed as Network Administrator (BS-17) in the project titled "Establishment of Human Rights Information Management System" on two years contract basis with effect from 24th April, 2020.

This issues with the approval of the Secretary, Ministry of Human Rights, Islamabad.

No. F.1-2/2020-Admn.—In pursuance of this Ministry's Offer of Appointment Letter No. 4(4)/2019-Admn, dated 16th March, 2020 and on acceptance of the terms and conditions, Mr. Rizwan Ahmed S/o. Abdul Lateef has been appointed as Assistant Director (Information Communication Technology) and PMES (Implementation and Training) (BS-17) in the project titled "Institutional Strengthening of Ministry of Human Rights" on two years contract basis with effect from 24th April, 2020.

This issues with the approval of the Secretary, Ministry of Human Rights, Islamabad.

MUHAMMAD ASIF,
Section Officer (Admn.).

MINISTRY OF INDUSTRIES AND PRODUCTION

Islamabad, the 14th May, 2020

No. 9(16)/2020-Admn-I.—The Cabinet Division has established National Financial Action Task Force (FATF) Secretariat, Upon directives issues by the Federal Minister for Industries and Production Division being Chairman of FATF, the following Officers/Officials are assigned additional charge of the posts mentioned against their names with effect from 14th May, 2020 to carry out the work of FATF Secretariat for a period of three months or till the availability of regular incumbents whichever is earlier.

S. No.	Name and Designation	Assignment
i.	Mr. Zain Aziz, Section Officer	Deputy Director
ii.	Mr. Rafay Ahmed, Section Officer	Deputy Director
iii.	Hafiz Taimoor Khalid, Section Officer	Deputy Director
iv.	Mr. Aimal Khan	Deputy Director/ Sanctioning Authority
v.	Mr. Ikhtlaq Ahmed, Superintendent	Superintendent
vi.	Mr. Waqas Ahmed	PS
vii.	Mr. Zulfiqar Ali Malik	APS
viii.	Mr. Fahad Ali, Assistant	Assistant
ix.	Mr. Kamran Khan, Assistant	Assistant
x.	Mr. Kanwar Zahid Hussain, Assistant	Assistant
xi.	Mr. Waqas Tasleem	Stenotypist
xii.	Mr. Adeel, UDC	Cashier
xiii.	Rana Rafique	Daftri/ Bill Messenger

2. The above-mentioned Officers/Officials are entitled to draw special remuneration @20% of basic pay subject to maximum up to Rs.12,000/- per month.

3. This issues with the approval of the competent authority.

OMER MANZOOR SHEIKH,
Section Officer (Admn-I).

MINISTRY OF INTERIOR

Islamabad, the 10th March, 2020

No. 14/24/2019-ICT-I.—In pursuance of this Ministry's notification of even number dated 5th March, 2020, following officers on promotion have assumed the charge of the post of Superintendent of Police (BS-18), in Islamabad Capital Territory Police, Islamabad on 5th March, 2020.

- i). Mr. Farhat Abbas Kazmi, DSP
- ii). Mr. Arif Hussain Shah, DSP
- iii). Mr. Safeer Hussain Bhatti, DSP
- iv). Mr. Fida Hussain Satti, DSP

Islamabad, the 13th March, 2020

No. 2/21/2012-ICT-I.—In pursuance of the Controller General of Accounts Letter No.83/CGA/Estab/AAO/16-C/2018, dated 12th February, 2020, Mr. Muhammad Faheem Akhtar, Assistant Accounts Officer (BS-17) has relinquished charge of the post of DDP/ Assistant Accounts Officer (BS-17) from Chief Commissioner Officer, ICT, Islamabad on 24th February, 2020.

Islamabad, the 6th April, 2020

No. 3/21/2019-ICT-I.—In pursuance of Ministry of Interior notification of even number dated 3rd October, 2019, following Inspectors (BPS-16) of ICT Police on their promotion have assumed the charge as Deputy Superintendent of Police (BPS-17) on the date mentioned against their names:-

Sr.No.	Name	Date
1.	Mr. Shams Azhar	03.10.2019
2.	Mr. Abid Ikram	03.10.2019
3.	Mr. Majid Iqbal	04.10.2019
4.	Mr. Muhammad Najeeb Shah	04.10.2019
5.	Mr. Hassan Raza	04.10.2019
6.	Mr. Tariq Mehmood	04.10.2019
7.	Mr. Tariq Iqbal	04.10.2019
8.	Mr. Khalid Mehmood	04.10.2019
9.	Mr. Ghulam Mustafa Dahri	03.10.2019
10.	Mr. Farooq Ahmed	03.10.2019
11.	Mr. Tanveer Ahmed	03.10.2019

QALANDAR KHAN,
Section Officer (ICT-I)

Islamabad, the 9th April, 2020

No. 3/2/2020-ICT-I.—Consequent upon approval of the Competent Authority *i.e.* Secretary Interior, Mr. Abdul Qadeer Khan Divisional Engineer, (BS-18) NTC, Ministry of Information Technology and Telecommunication has assumed the charge of the post of Director System (BS-19), Safe City, Islamabad with effect from 10th March, 2020 in his own pay & scale (BS-18) on deputation basis for an initial period of three years or till the posting of regular incumbent against the said post whichever is earlier.

Islamabad, the 10th April, 2020

No. 3/28/2018-ICT-I.—In continuation of this Ministry's notification of even number dated 29th April, 2019, the suspension period of Mr. Munawar Ali Mahar, DSP of Islamabad Capital Territory Police is hereby extended upto 29th April, 2020.

This issues with the approval of the Competent Authority.

Islamabad, the 13th April, 2020

No. 3/58/2019-ICT-I.—In pursuance of the AGPR, Islamabad Office Order No. Admn-I/PF-A.O/T.H/114/162, dated 6th November, 2019, Mr. Tayyab Hussain, Accounts Officer (BS-18) has assumed charge of the post of Accounts Officer in Central Police Office, Islamabad, under Ministry of Interior on 6th November, 2019 (Afternoon).

No. 3/67/2019-ICT-I.—In pursuance of the AGPR, Islamabad Office Order No. Admn-I/PF-A.O/A.R.K/56/181, dated 25th November, 2019, Mr. Abdul Rashid Khan, Accounts Officer (BS-18) has assumed charge of the post of Accounts Officer in Central Police Office, Islamabad, under Ministry of Interior on 27th November, 2019.

No. 3/30/2012-ICT-I.—On attaining the age of superannuation *i.e.* 60 years, Mr. Safeer Hussain Bhatti, Superintendent of Police (BS-18), ICT Police, Islamabad stand retired from Government Service with effect from 31st March, 2020.

Islamabad, the 14th April, 2020

No. 3/55/2019-ICT-I.—In pursuance of the Establishment Division's Notification No. F.2(1)/2016-E-3 (Police), dated 31st December, 2019, Mr. Farooque Ahmed, a BS-18 Officer of Police Service of Pakistan (PSP) has assumed the charge of the post of Superintendent of Police in ICT Police under Ministry of Interior on 31st December, 2019.

No. 3/53/2019-ICT-I.—In pursuance of the Establishment Division's Notification No. F.2(1)/2016-E-3 (Police), dated 31st December, 2019, Mr. Farooq Amjad, a BS-18 Officer of Police Service of Pakistan (PSP) has assumed

the charge of the post of Superintendent of Police in ICT Police under Ministry of Interior on 31st December, 2019.

Islamabad, the 22nd April, 2020

No. 3/41/2018-ICT-I.—In pursuance of the Establishment Division's Notification No. 2(3)/2018-E-3 (Police), dated 31st March, 2020, Dr. Sardar Ghias Gul Khan, a BS-18 officer of Police Service of Pakistan (PSP) on appointment/promotion to BS-19 (on acting charge basis) and transferred to the Government of Punjab, has relinquished the charge of the post of AIG/Operations, ICT Police on 3rd April, 2020.

Islamabad, the 23rd April, 2020

No. F.2/20/2020-ICT-I.—In pursuance of Establishment Division's Notification No. PF(1298)/E-5(PAS), dated 7th April, 2020, Mr. Babar Sahib Din, a BS-18 officer of Pakistan Administrative Service has assumed the charge of the post of Director (Admin/BS-19) in the office of Chief Commissioner, ICT, Islamabad with effect from 9th April, 2020.

Islamabad, the 29th April, 2020

No. F.2/9/2020-ICT-I.—In pursuance of Establishment Division's Notification No. PF(980)/E-5(PAS), dated 24th January, 2020, Syeda Shafaq Hashmi, a BS-19 officer of the Pakistan Administrative Service has assumed the charge of the post of Director General [Development/Finance (BS-20)], in her own pay and scale in the office of Chief Commissioner, ICT, Islamabad with effect from 9th April, 2020.

Islamabad, the 6th May, 2020

CORRIGENDUM

No. 2/9/2020-ICT-I.—In partial modification of this Ministry's notification of even number dated 29th April, 2020, the charge assumption date mentioned in the said notification *i.e.* 9th April, 2020 may be read as 24th January, 2020.

No. 3/28-2018-ICT-I.—In continuation of this Ministry's notification of even number dated 10th April, 2020, the suspension period of Mr. Munawar Ali Mahar, DSP of Islamabad Capital Territory Police is hereby extended with effect from 29th April, 2020 to 29th July, 2020.

This issues with the approval of the Competent Authority.

Islamabad, the 13th May, 2020

No. 2/9/2019-ICT-I.—In pursuance of the Establishment Division's Notification No. 1-53/2019-E-2, dated 9th April, 2020, Mr. Qaiser Khan Khattak, a BS-19 Officer of

Secretariat Group on transfer from ICT Administration has relinquished the charge of the post of Director (AES), ICT on 13th April, 2020.

MUHAMMAD SHAFIQUE,
Section Officer (ICT-I).

Islamabad, the 2nd January, 2020

No. 1/9/2003-R(Punjab) (i).—In exercise of the powers conferred by Section 10 of the Pakistan Rangers Ordinance, 1959 (W.P.Ord.XIV of 1959), the Federal Government is pleased to confer the powers and duties of Police with regard to arrest and search of any person provided for in Chapter V of the Code of Criminal Procedure, 1898 (Act V of 1898), on every member of the Pakistan Rangers (Punjab) deployed in aid of Civil powers for security of the Karakorum Highway (KKH) at Basri and Basha Check Posts and to cover eight kilometers stretch of the KKH between the two check posts for a further period of ninety (90 days) with effect from 29th October, 2019 to 26th January, 2020.

No. 2/9/2003-R(Punjab) (ii).—In continuation of this Ministry's notification of even number dated 7th February, 2019, the competent authority has been pleased to extend the deployment of Pakistan Rangers (Punjab) in aid of Civil Administration for the security of Karakorum Highway (KKH) at Basri/Bhasha Check Posts and to cover 8 kilometer stretch of KKH between the two check posts for another period of 90 days with effect from 29th October, 2019 to 26th January, 2020.

ZURGHAN SHEHZAD,
Section Officer (Rangers).

[CAF WING]

Islamabad, the 22nd January, 2020

No. 6/11/2009-CAF (C).—The following Junior Commissioned Officers (JCOs) of Civil Armed Forces (CAFs) are granted Honorary Commission in the rank of Captain and Lieutenant on active list with effect from 23rd March, 2020:-

HONORARY CAPTAIN

S.#	Regt. No.	Rank	Name	Name of CAFs
1.	302620	Hon. Lt.	Muslim Khan	FC KP (North)

HONORARY LIEUTENANT

S.#	Regt. No.	Rank	Name	Name of CAFs
1.	CGJO-1202	SM	Abdul Razzaq	Pakistan Coast Guards
2.	702066	SUB	Islamabad	FC KP (North)
3.	403647	SM	Rehmat Wali Shah	FC KP (North)
4.	1102278	SM	Firdoos Khan	FC KP (North)
5.	701929	SM	Ali Ghulam	FC KP (North)
6.	701888	SM	Javed Iqbal Khan	FC KP (North)

2. This issues with the approval of the competent authority.

Islamabad, the 28th January, 2020

No. 6/11/2009-CAF (C).—The following Junior Commissioned Officer (JCO) of Civil Armed Forces is granted Honorary Commission in the rank of Captain on active list with effect from 23rd March, 2020:-

HONORARY CAPTAIN

S.#	Regt. No.	Rank	Name	Name of CAFs
1.	601416	Hon. Lt.	Zar Shed	FC KP (South)

2. This issues with the approval of the competent authority.

NAQEEB ARSHAD,
Section Officer (CAF).

MINISTRY OF INTER PROVINCIAL COORDINATION

(IPC Division)

Islamabad, the 1st June, 2020

No. F.1-157/2010-Admn-II.—Mr. Arshad Mehmood, APS (BS-16), presently posted with Senior Joint Secretary

(Admn), M/o. IPC is allowed to hold additional charge of the vacant post of APS to Deputy Secretary (T&R) in addition to his own duties for a period of three months (90-days) with effect from 15th May, 2020 or till availability of regular incumbent whichever is earlier for which he would be entitled to draw additional remuneration @ 20% of basic pay subject to the maximum of Rs.12,000/- *p.m.* as admissible under the rules.

This issues with the approval of Senior Joint Secretary (Admn.), Ministry of IPC.

MUHAMMAD ZEESHAN,
Section Officer (Admn-II).

MINISTRY OF LAW AND JUSTICE

(Law and Justice Division)

Islamabad, the 2nd June, 2020

No. F.3(15)/2015-A.V(pt).—With the approval of the competent authority, Mr. Nazakat Ali Bhand, Registrar (BS-17), Accountability Court-II, Karachi is hereby entrusted the powers of Drawing and Disbursing Officer (DDO), Accountability Court-IV, Karachi with immediate effect till the appointment of Judge, Accountability Court-IV, Karachi.

MUHAMMAD KAMRAN,
Section Officer (A.V.).

Islamabad, the 2nd June, 2020

No. F.6(34)/2019-A.IV.—In pursuance of this Division's Notification No.F.29(16)/2004-A.III dated 24th February, 2020, Mr. Ghulam Murtaza has assumed the charge of the post of Private Secretary (BS-18) in the Insurance Appellate Tribunal, Multan with effect from 4th March, 2020.

FAISAL MALIK,
Section Officer.

MINISTRY OF MARITIME AFFAIRS

Islamabad, the 2nd June, 2020

No. F.3(3)/2020-Admn.—Mr. Hamid Ullah Khan Khattak, Superintendent (BS-17), Admn. Section, Ministry of Maritime Affairs, Islamabad is assigned look after charge of the post of Section Officer (Admn.) for a period of 33 days leave with effect from 1st June, 2020 to 3rd July, 2020.

This issues with the approval of Additional Secretary, Ministry of Maritime Affairs, Islamabad.

No. F.1(12)/2019-Admn.—Consequent upon the deliberations/ decision of the Federal Cabinet and with the approval of the Secretary, Ministry of Maritime Affairs, the following entities working under this Ministry are merged as per given below:-

Sr. No.	Name of Department	Merge With
1.	Marine Biological Research Laboratory, Karachi	Marine Fisheries Department, Karachi
2.	Directorate of Dock Workers Safety, Karachi	Mercantile Marine Department, Karachi
3.	Directorate of Seamen's Welfare & Seamen Hostel, Karachi	Pakistan Marine Academy, Karachi

KHIZAR SALEEM KHOKHAR,
Deputy Secretary-I.

MINISTRY OF NATIONAL FOOD SECURITY & RESEARCH

Islamabad, the 2nd June, 2020

No. F.1-14/2012-FS.—In pursuance of Establishment Division, Islamabad Notification No. 1/39/2016-E-6 dated 13th May, 2020, Dr. Rafiq Ahmed Chandio is appointed as Director General (BS-21) Agriculture Policy Institute (API), Islamabad under Ministry of National Food Security and Research, Islamabad for a period of two (2) years on contract basis. He has assumed the charge of the post of Director General (BS-21) on 29th May, 2020.

M. SALEEM CHEEMA,
Deputy Secretary (FS).

Islamabad, the 1st June, 2020

No. F.2-4/2020-Admn-I.—In pursuance of Establishment Division's Notification No. F.22/02/2020-E-I dated 21st May, 2020, Syed Ahsan Mumtaz, a BS-19 officer of Secretariat Group, has assumed charge of the post of Joint Secretary (BS-20) in the Ministry of National Food Security and Research, under Section 10 of Civil Servants Act, 1973, with immediate effect.

TAHIR MEHMOOD QURESHI,
Deputy Secretary.

MINISTRY OF NATIONAL HEALTH SERVICES,
REGULATIONS & COORDINATION

Islamabad, the 3rd June, 2020

No. F.24(1)/2019-SO (Admn-II)/TBC.—Dr. Saira Latif Mufti, Medical Officer (BS-18), Federal Government - TB Centre, Rawalpindi presently working on deputation with Federal General Hospital, Chak Shahzad, Islamabad, is hereby repatriated to her parent department *i.e.* Federal Government T.B. Centre, Rawalpindi under Ministry of NHR&C with immediate effect.

ASGHAR ALI,
Deputy Secretary (Admn.).

Islamabad, the 28th May, 2020

No. F.3-220/2020-Estab-III.—In pursuance of Establishment Division's Notification No.1/333/2019-E-4 dated 24th April, 2020 and Ministry of National Health Services, Regulations & Coordination (NHR&C)'s Notification No. 1-74/2019-Estab-IV(FGPC) dated 27th April, 2020, Dr. Ghulam Mustafa Bhanbhro has assumed charge of the post of Assistant Professor of Urology (BS-18), Pakistan Institute of Medical Sciences (PIMS), Islamabad with effect from 4th May, 2020.

RASHED MUNIR SHEHZAD,
Section Officer (Estab-III).

Islamabad, the 3rd June, 2020

No. F.1-645/2020-E-IV.—With the approval of competent authority *i.e.* Secretary, Ministry of National Health Services, Regulations and Coordination, Dr. Manohar Lal, Medical Officer (BS-17), Federal Government Polyclinic, Islamabad is granted 14 days *ex-Pakistan* leave with effect from 1st June, 2020 to 14th June, 2020 to visit USA.

This Ministry has no objection on his proceeding abroad during the subject leave.

SAEED AHMAD,
Deputy Secretary (E-III).

Islamabad, the 1st June, 2020

No. F.1-88/2018-FGH-H-III.—Consequent upon his appointment against the post of Assistant Professor (General Surgery) (BS-18), Pakistan Institute of Medical Sciences (PIMS), Islamabad under M/o. NHR&C *vide* Memorandum No.F.2-139/2018-Estab-III dated 7th May, 2020, and with the approval of competent authority *i.e.*

Secretary M/o. NHR&C, Dr. Ali Raza, SMO/Registrar (BS-18), Federal General Hospital, Islamabad is relieved from his duties to join his new assignment as Assistant Professor (General Surgery) (BS-18) Pakistan Institute of Medical Sciences, (PIMS) Islamabad, with immediate effect.

SHOAIB HASAN,
Section Officer (E-V).

[DRUG REGULATORY AUTHORITY OF PAKISTAN]

Islamabad, the 1st June, 2020

No. PF.151-FMS/ADMN-I (VOL-III).—In pursuance of Drug Regulatory Authority of Pakistan's Notification No.PF.151-FMS/Admn-I (Vol-III) dated 18th June, 2019. Mr. Faqeer Muhammad Shaikh has relinquished the charge of the post of Additional Director (RO-14), Drug Regulatory Authority of Pakistan, Islamabad with effect from 1st June, 2020 on attaining the age of superannuation *i.e.* 60 years and stands retired from Government Service.

MUHAMMAD MURAD KHAN,
Dy. Director (Admin-I).

Islamabad, the 1st June, 2020

No. PF.66-ZU/ADMN-I.—In pursuance of Drug Regulatory Authority of Pakistan's Office Order No.F.6-6/2011/Admn-I (Pt.) dated 22nd April, 2020, Mr. Zia Ullah, has relinquished the charge of the post of Assistant Director-II / FID-III (RO-12), DRAP, Peshawar on 30th April, 2020 (afternoon) and assumed the charge of the post of Assistant Director (RO-12), Medical Devices & Medicated Cosmetics, DRAP, Islamabad on 4th May, 2020 (forenoon).

Islamabad, the 2nd June, 2020

No. PF.57-IA/ADMN-I.—Mst. Iqra Aftab, Assistant Director (RO-12), Pharmaceutical Evaluation & Registration Division, Drug Regulatory Authority of Pakistan, Islamabad has been granted 90 days maternity leave with full pay with effect from 1st June, 2020 or from the date of availing.

After expiry of said leave, the officer concerned is expected to resume her duty on the same post at same station.

This issues with the approval of the Competent Authority.

HAMZA ZUBAID MALIK,
Assistant Director (Admn-I).

MINISTRY OF OVERSEAS PAKISTANIS AND HUMAN
RESOURCE DEVELOPMENT

Islamabad, the 1st June, 2020

No. PF.1(4)/2017-Admn-I.—In pursuance of Establishment Division's Notification No.1-8/2017-E-2, dated 15th April, 2020, Mr. Muhammad Umar, Secretariat Group (BS-19) has been relieved from this Ministry with effect from 1st June, 2020.

No. F.1(4)/2020-Admn-I.—In pursuance of Establishment Division's Notification No.1-45/2012-E-2 dated 13th April, 2020, Mr. Abdul Wahid Thahim, a BS-19 officer of Secretariat Group, has assumed the charge of the post of Deputy Secretary (BS-19) in this Ministry with effect from 14th May, 2020.

MIR RAHMAN,
Deputy Secretary (Admn.).

Islamabad, the 1st June, 2020

No. PF.3(4)/90-Admn-I.—In pursuance of Establishment Division's O.M. No.3/1/2019-CP-6 dated 20th March, 2020 and this Ministry's Notification No.4(14)/2013-Admn-I dated 26th March, 2020 Mr. Tanveer Khaliq has relinquished the charge of the post of Deputy Chief (BS-19) and assumed the charge of the post of Chief (BS-20) in the Ministry of Overseas Pakistanis and Human Resource Development, Islamabad with effect from 26th March, 2020.

SAQIB ALI KHAN,
Section Officer (Admn-I).

MINISTRY OF PLANNING, DEVELOPMENT &
SPECIAL INITIATIVES

Islamabad, the 28th May, 2020

No. PF.7(118)HRM-V/PDSI/15.—Mrs. Rabia Nawaz, Assistant Private Secretary (BPS-16) of this Ministry has been granted 17 days leave on full pay with effect from 15th May, 2020 to 31st May, 2020 under the Revised Leave Rules, 1980.

On expiry of the leave, she will resume her duty in this Ministry at the same post.

SHAHID AHMED,
Section Officer.

MINISTRY OF PRIVATISATION

[PRIVATISATION COMMISSION]

Islamabad, the 3rd December, 2019

No. 7(27) Admn/PC/2018.—In exercise of power conferred under Section 5(m) read with Section 41 of the Privatisation Commission Ordinance, 2000 (No.LII of 2000), the Board of the Privatisation Commission is pleased to substitute the following entry, in the Privatisation Commission Employees (Appointment and Terms and Conditions of Service) Regulations, 2002:

(i) In supersession of PC's Notification No. F.9(18)/Admn/PC/2009, dated 19th April, 2010, Notification No.F.9(18) / Admn/ PC/2009, dated 5th August, 2010 and Notification No.F.7(38) / Admn/PC/2015, dated 25th November, 2015, following incumbents are regularized as Technical Assistants (PC-16) with effect from dates mentioned against their names, without any back benefits, except retirement benefits:-

Sr. No.	Name of the Employees	Date of Appointment / Regularization
1	Ms. Fakhira Batool	24. 03.1996
2	Mr. Shakeel Arjumand	01. 07.1996
3	Mr. Sohail Ahmed	18. 08.1996
4	Ms. Kiran Rubab Naqvi	26. 09.1996
5	Syed Ahtasham Anwar	26. 07.1997
6	Mr. Asim Zaheer Qazi	06. 01.1998
7	Mr. Inam-ul-Haq Siddiqui	06. 01.1998
8	Ms. Bushra Shoukat	16. 02.1998
9	Shaikh Arsalan Mobin Ali	23. 09. 2000
10	Mr. Arif Munir	08. 04. 2005
11	Mr. Muhammad Saleh	09. 04. 2005
12	Mr. Muhammad Kamal Ansari	23. 12. 2005
13	Mr. Ashfaq Ahmed Khan	05. 05. 2006
14	Mr. Ammad-ud-Din	24. 05. 2006
15	Mr. Shahid Iqbal Pasha	04. 09. 2009
16	Mr. Kamal Khan Mandokhel	21. 01. 2013
17	Mr. Muhammad Athar Shabir	21. 01. 2013
18	Mr. Khaleeq-ur-Rehman	21. 01. 2013

(ii) The Contributory Provident Fund (CP Fund) for the period, which was not deducted from their salaries, shall be calculated and deducted accordingly.

No. 7(27) Admn/PC/2018.—In exercise of power conferred under Section 5(m) read with Section 41 of the Privatisation Commission Ordinance, 2000 (No.LII of 2000), the Board of the Privatisation Commission is pleased to substitute the following entry, in the Privatisation Commission Employees (Appointment and Terms and Conditions of Service) Regulations, 2002:

(i) Following four (4) incumbent working as Technical Assistants (G-IV) are regularized as Technical Assistants (PC-16) against available regular posts of Technical Assistant (PC-16), irrespective of their age and initial appointment quota, within the available budgetary position, with effect from dates mentioned against their names, without any financial back benefit, except retirement benefits, subject to provision of Medical Fitness Certificate from Civil Surgeon:-

S.#	Name of the Employees	Date of Appointment / Regularization	Date of Birth	Date of fixation of Salary in PC-16
1.	Mr. Husnain Khan	27.11.2015	15.01.1987	26.11.2019
2.	Mr. Shoaib Quddus	27.11.2015	01.01.1998	26.11.2019
3.	Mr. Muhammad Shoaib	27.11.2015	22.02.1991	27.11.2019
4.	Ms. Aqsa Akram	02.12.2015	30.09.1991	02.12.2019

(ii) The incumbents have submitted their written concurrence / undertaking that their pay may be fixed as per prescribed Privatisation Commission Regulations and no pay protection shall be allowed.

(iii) The Contributory Provident Fund (CP Fund) for the period, which was not deducted from their salaries, shall be calculated and deducted, accordingly.

SHAHZAD ASIF,
Deputy Secretary (Admin.).

MINISTRY OF RELIGIOUS AFFAIRS AND INTERFAITH HARMONY

Islamabad, the 1st June, 2020

No. F.9 (130)/2012-Admn.—In pursuance of Establishment Division's Notification No.PF.1071/2011/E-VII dated 12th May, 2020, Mr. Azmat Ali has relinquished the charge of the post of Section Officer (OMG/BS-18) in the Ministry of Religious Affairs and Interfaith Harmony, Government of Pakistan, Islamabad with effect from 21st May, 2020.

AZIZULLAH KHAN,
Section Officer.

NATIONAL ASSEMBLY SECRETARIAT

Islamabad, the 23rd June, 2020

No. M(484)/Estt.I(107).—In continuation of this Secretariat's notification of even number dated 10th March, 2020, Mr. Anjum Jamil, Private Secretary (BS-17) is granted permission to return to duty with effect from 26th March, 2020 after availing 26 days LFP & 4 days LHP. His remaining 30 days LHP is curtailed.

This issues with the approval of Competent Authority.

Islamabad, the 29th June, 2020

No. G(439)/Estt.I.(108).—The competent authority has been pleased to appoint Mr. Muhammad Aggan Daheri as Section Officer (BS-18) in the National Assembly Secretariat on contract basis for a period of one year with effect from 1st July, 2020 on usual terms and conditions.

Islamabad, the 30th June, 2020

No. G(409)/Estt.I.(109).—In continuation of this Secretariat's Notification No. G(409)/Estt.I.(120) dated 28th June, 2019, the Competent Authority has been pleased to extend the contract period of Mr. Muhammad Latif Qureshi, Joint Secretary (Litigation) (BS-20) for a further period of one year with effect from 1st July, 2020 on usual terms and conditions.

No. G(439)/Estt.I.(110).—In partial modification of this Secretariat's Notification No. G(439)/Estt.I.(108) dated 29th June, 2020, the Competent Authority has been pleased to extend the contract period of Mr. Muhammad Aggan Daheri, Section Officer (BS-18) for a further period of one year with effect from 1st July, 2020 on usual terms and conditions, in continuation of this Secretariat's Notification No.G(409)/Estt.I.(121) dated 28th June, 2019.

MUHAMMAD YASEEN SALEEMI,
Deputy Secretary.

SENATE SECRETARIAT

Islamabad, the 23rd June, 2020

No. M.(889)/2019-HRM (74).—In continuation of Senate Secretariat Notification No.F.3(8)/2018-HRM (95) dated 19th April, 2019, the competent authority has been pleased to extend the deputation period of Mr. Saleem, Assistant Private Secretary (BPS-16), for a further period of one year with effect from 11th April, 2020.

He will be entitled to draw deputation allowance @20% of his basic pay, subject to a maximum of Rs.12,000/- per month.

This issues with the approval of Secretary Senate.

SADIA AMIR,
Section Officer (HRM-II).

SUPREME COURT OF PAKISTAN

Islamabad, the 20th June, 2020

No. F.24/917/2019-SCA.—In continuation of this Court's notification of even number dated 10th July, 2019 and on completion of deputation period, Mr. Aftab Javed, Civil Judge-cum-Judicial Magistrate working as Research Officer (BS-19), Supreme Court of Pakistan is hereby repatriated to his parent department *i.e.* Peshawar High Court, Peshawar, with effect from 7th July, 2020 (afternoon).

This issues with the approval of the Competent Authority.

No. F.24/914/2019-SCA.—In continuation of this Court's notification of even number dated 4th July, 2019, Mr. Hasan Riaz, Civil Judge-cum-Magistrate / Research Officer, Lahore High Court, Lahore, working in this Court as Research Officer (BS-19), is allowed to continue as such for a further period of one year, with effect from 1st July, 2020.

This issues with the approval of the Competent Authority.

No. F.24/916/2019-SCA.—In continuation of this Court's notification of even number dated 4th July, 2019 and on completion of deputation period, Ms. Umbreen Iqbal, Civil Judge-cum-Judicial Magistrate working as Research Officer (BS-19), Supreme Court of Pakistan is hereby repatriated to her parent department *i.e.* Islamabad High Court, Islamabad, with effect from 1st July, 2020 (afternoon).

This issues with the approval of the Competent Authority.

No. F.24/918/2019-SCA.—In continuation of this Court's notification of even number dated 9th July, 2019 and on completion of deputation period, Mr. Noor Bakhsh, Civil Judge / Judicial Magistrate-II working as Research Officer (BS-19), Supreme Court of Pakistan is hereby repatriated to his parent department *i.e.* High Court of Balochistan, Quetta, with effect from 2nd July, 2020 (afternoon).

This issues with the approval of the Competent Authority.

No. F.24/919/2019-SCA.—In continuation of this Court's notification of even number dated 9th July, 2019 and on completion of deputation period, Mr. Naeem Akhtar, Civil Judge and Judicial Magistrate working as Research Officer (BS-19), Supreme Court of Pakistan is hereby repatriated to his parent department *i.e.* High Court of Sindh, Karachi, with effect from 3rd July, 2020 (afternoon).

This issues with the approval of the Competent Authority.

No. F.24/911/2019-SCA.—In continuation of this Court's notification of even number dated 4th July, 2019, Mr. Zafar Iqbal, Civil Judge-cum-Magistrate/ Research Officer, Lahore High Court, Lahore, working in this Court as Research Officer (BS-19), is allowed to continue as such for a further period of one year, with effect from 28th June, 2020.

This issues with the approval of the Competent Authority.

No. F.24/915/2019-SCA.—In continuation of this Court's notification of even number dated 17th July, 2019 Mr. Waqas Ali Mazhar, Civil Judge-cum-Magistrate/ Research Officer, Lahore High Court, Lahore, working in this Court as Research Officer (BS-19), is allowed to continue as such for a further period of one year, with effect from 15th July, 2020.

This issues with the approval of the Competent Authority.

No. F.24/912/2019-SCA.—In continuation of this Court's notification of even number dated 4th July, 2019 Mr. Ahmed Nadeem Khan, Civil Judge-cum-Magistrate/ Research Officer, Lahore High Court, Lahore, working in this Court as Research Officer (BS-19), is allowed to continue as such for a further period of one year, with effect from 28th June, 2020.

This issues with the approval of the Competent Authority.

No. F.24/915/2019-SCA.—In continuation of this Court's notification of even number dated 17th July, 2019 Rana Shaher Yar, Civil Judge-cum-Magistrate/ Research Officer, Lahore High Court, Lahore, working in this Court as Research Officer (BS-19), is allowed to continue as such for a further period of one year, with effect from 15th July, 2020.

This issues with the approval of the Competent Authority.

A. SHABBIR KHAN KHATTAK,
Deputy Registrar (Admin.).



PUBLISHED BY AUTHORITY

KARACHI, WEDNESDAY, JULY 8, 2020

PART II

Notifications issued by Ministry of Defence and Ministry of Defence Production

Karachi, the 8th July, 2020

MINISTRY OF DEFENCE

(Defence Division)

No. 313/2020 :

PSS-48378 Capt. Muhammad Abdul Rauf Malik, RV&FC has been granted Short Service Commission in the Remount Veterinary and Farms Corps, with effect from 14th April, 2019 and antedate of seniority, with effect from 12th November, 2018, which will be counted for the purpose of seniority, promotion and increment.

[No. F. 5/3/D-2(A-II)/2020].

No. 314/2020 :

PSS-114805 Faisal Mahmood, ADC (Specialist) has been granted Short Service Regular Commission in the Pakistan Army in the rank of temporary Major, with effect from 13th October, 2019.

[No. F. 5/3/D-2(A-II)/2020].

No. 315/2020 :

The following 02 officers have been granted Short Service Regular Commission in the Pakistan Army, with effect from the date as mentioned against each :-

S. No.	PSS No.	Rank	Name	Arms/ Svcs.	Date of SSRC	Ante-date Seniority
1.	PSS-114788	Maj.	Faisal	ADC (Spec.)	14th October, 2017	-
2.	PSS-114789	Capt.	Farhan Butt	ADC	14th October, 2017	-

[No. F. 5/3/D-2(A-II)/2020].

No. 316/2020 :

The following officers have been granted Direct Short Service Commission (DSSC) in the General List of Pakistan Land Forces for appointment as Psychologists in the rank of temporary Captain and antedate of seniority, with effect from the date as mentioned against each. The antedate of seniority will be counted for the purpose of seniority, promotion and increment :-

S. No.	PSS No.	Rank	Name	Arms / Svcs.	Date of DSSC	Ante-date Seniority
1.	PSS-59710	Capt.	Raja Zeeshan Sarmad	GL/ Engrs.	14-10-2018	13-05-2018
2.	PSS-59711	Capt.	Haseeb Ahmed	GL/ Engrs.	14-10-2018	13-05-2018

[No. F. 5/4/D-2(A-II)/2020].

No. 317/2020 :

The following 02 officers have been granted Direct Short Service Commission (DSSC) in the General List of Pakistan Land Forces for appointment as Psychologists in the rank of temporary Captain and antedate of seniority, with effect from the date as mentioned against each. The antedate of seniority will be counted for the purpose of seniority, promotion and increment :-

S. No.	PSS No.	Rank	Name	Arms / Svcs.	Date of DSSC	Ante-date Seniority
1.	PSS-58999	Capt.	Ali Raza	GL / FF	15-04-2018	13-11-2017
2.	PSS-59000	Capt.	Muhammad Adnan Rafique	GL / Baloch	15-04-2018	13-11-2017

[No. F. 5/4/D-2(A-II)/2020].

No. 318/2020 :

The following 04 officers have been granted Short Service Regular Commission (SSRC) as Specialists in the Pakistan Army, with effect from the date as mentioned against each :-

S. No.	PSS No.	Rank	Name	Arms / Svcs.	Date of SSRC	Ante-date Seniority
1.	PSS-106787	Maj.	Sadia Majeed	AMC (Spec.)	13-10-2019	-
2.	PSS-106788	Maj.	Faryal Sadaqat	AMC (Spec.)	13-10-2019	-
3.	PSS-106789	Maj.	Sehrish Anjum	AMC (Spec.)	13-10-2019	-
4.	PSS-106790	Maj.	Tabinda Aqsa	AMC (Spec.)	13-10-2019	-

[No. F. 5/3/D-2(A-II)/2020].

No. 319/2020 :

The following 04 officers have been granted Short Service Commission (SSC) in the Pakistan Land Forces (Army Medical Corps) :-

S. No.	PSS No.	Rank	Name	Arms / Svcs.	Date of SSC	Ante-date Seniority
1.	PSS-116995	Capt.	Saad Ullah Khalid	AMC	14-04-2018	-
2.	PSS-116996	Capt.	Muhammad Haseeb	AMC	14-04-2018	-
3.	PSS-116997	Capt.	Haris Bin Rohail	AMC	14-04-2018	-
4.	PSS-116998	Capt.	Muhammad Sabeeh Ahmed	AMC	14-04-2018	-

[No. F. 5/3/D-2(A-II)/2020].

No. 320/2020 :

The following 04 officers have been granted Short Service Regular Commission in the Pakistan Army, with effect from the date as mentioned against each :-

S. No.	PSS No.	Rank	Name	Arms / Svcs.	Date of SSRC	Ante-date Seniority
1.	PSS-114799	Capt.	Anis Ur Rehman	ADC	13th October, 2018	-
2.	PSS-114800	Capt.	Ahmed Abdullah	ADC	13th October, 2018	-
3.	PSS-114801	Capt.	Muhammad Junaid Iqbal	ADC	13th October, 2018	-
4.	PSS-114802	Capt.	Umar Hameed	ADC	13th October, 2018	-

[No. F. 5/3/D-2(A-II)/2020].

No. 321/2020 :

The following 04 officers have been granted Direct Short Service Commission (DSSC) in Pakistan Land Forces Army Education Corps and antedate of seniority, with effect from the dates as mentioned against each. The antedate of seniority will be counted for the purpose of seniority, promotion and increment :-

S. No.	PSS No.	Rank	Name	Arms / Svcs.	Date of DSSC	Ante-date Seniority
1.	PSS-58995	Capt.	Babar Shahab	AEC	15-04-2018	13-11-2017
2.	PSS-58996	Capt.	Abdullah Amir	AEC	15-04-2018	13-11-2017
3.	PSS-58997	Capt.	Ghulam Murtaza	AEC	15-04-2018	13-11-2017
4.	PSS-58998	Capt.	Hamza Khan	AEC	15-04-2018	13-11-2017

[No. F. 5/4/D-2(A-II)/2020].

No. 322/2020 :

The following 05 officers have been granted Short Service Commission in the Remount Veterinary and Farms Corps and antedate of seniority, with effect from the date as mentioned against each. which will be counted for the purpose of seniority, promotion and increment :-

S. No.	PSS No.	Rank	Name	Arms / Svcs.	Date of SSC	Ante-date Seniority
1.	PSS-48373	Capt.	Usama Ahmad	RV&FC	14-10-2018	13-05-2018
2.	PSS-48374	Capt.	Muzammal Tariq	RV&FC	14-10-2018	13-05-2018
3.	PSS-48375	Capt.	Muhammad Nauman	RV&FC	14-10-2018	13-05-2018
4.	PSS-48376	Capt.	Muhammad Jahangir	RV&FC	14-10-2018	13-05-2018
5.	PSS-48377	Capt.	Abdul Basit	RV&FC	14-10-2018	13-05-2018

[No. F. 5/3/D-2(A-II)/2020].

No. 323/2020 :

The following 07 officers have been granted Short Service Regular Commission (SSRC), in the Pakistan Army, with effect from the date as mentioned against each :-

S. No.	PSS No.	Rank	Name	Arms / Svcs.	Date of SSRC	Ante-date Seniority
1.	PSS-106544	Capt.	Muhammad Umair Adeel	AMC	14-04-2018	-
2.	PSS-106545	Capt.	Mujeeb Ur Rehman	AMC	14-04-2018	-
3.	PSS-106546	Capt.	Abdul Muhaymin Zia	AMC	14-04-2018	-
4.	PSS-106547	Capt.	Ahmed Shah	AMC	14-04-2018	-
5.	PSS-106548	Capt.	Syed Sartaj Rahim	AMC	14-04-2018	-
6.	PSS-106549	Capt.	Muhammad Majid Khan	AMC	14-04-2018	-
7.	PSS-106550	Capt.	Muhammad Haseeb	AMC	14-04-2018	-

[No. F. 5/3/D-2(A-II)/2020].

No. 324/2020 :

The following 07 officers have been granted Short Service Commission in the Remount Veterinary and Farms Corps and antedate of seniority, with effect from the date as mentioned against each. which will be counted for the purpose of seniority, promotion and increment :-

S. No.	PSS No.	Rank	Name	Arms / Svcs.	Date of SSC	Ante-date Seniority
1.	PSS-48380	Capt.	Rana Muhammad Abid Mushtaq.	RV&FC	13-10-2019	13-05-2019
2.	PSS-48381	Capt.	Muhammad Waqas Asghar	RV&FC	13-10-2019	13-05-2019
3.	PSS-48382	Capt.	Hafiz Muhammad Naeem Akhtar	RV&FC	13-10-2019	13-05-2019
4.	PSS-48383	Capt.	Abdul Wahid	RV&FC	13-10-2019	13-05-2019
5.	PSS-48384	Capt.	Ali Afzaal Gill	RV&FC	13-10-2019	13-05-2019
6.	PSS-48385	Capt.	Ahmed Shazeel Khan	RV&FC	13-10-2019	13-05-2019
7.	PSS-48386	Capt.	Abdul Khaliq	RV&FC	13-10-2019	13-05-2019

[No. F. 5/3/D-2(A-II)/2020].

No. 325/2020 :

The following 08 officers have been granted Short Service Regular Commission in the Pakistan Army, with effect from the date as mentioned against each :-

S. No.	PSS No.	Rank	Name	Arms / Svcs.	Date of SSRC	Ante-date Seniority
1.	PSS-114806	Capt.	Zahid Dildar	ADC	13th October, 2019	-
2.	PSS-114807	Capt.	Syed Sajjad Haider	ADC	13th October, 2019	-
3.	PSS-114808	Capt.	Syed Junaid Hussain Bukhari.	ADC	13th October, 2019	-
4.	PSS-114809	Capt.	Nauman Shehzad	ADC	13th October, 2019	-
5.	PSS-114810	Capt.	Anas Zahoor	ADC	13th October, 2019	-
6.	PSS-114811	Capt.	Saadat Ullah	ADC	13th October, 2019	-
7.	PSS-114812	Capt.	Muhammad Shozab Khan	ADC	13th October, 2019	-
8.	PSS-114813	Capt.	Talha Khurshid	ADC	13th October, 2019	-

[No. F. 5/3/D-2(A-II)/2020].

IKRAM UL HAQ, Lt. Gen. (Retd.),
Secretary.

The Gazette of Pakistan

PUBLISHED BY AUTHORITY

KARACHI, WEDNESDAY, JULY 8, 2020

PART III

Notifications issued by the High Courts, the Federal Public Service Commission and by the Attached and Subordinate Offices of the Government of Pakistan.

APPELLATE TRIBUNAL INLAND REVENUE

(Headquarters)

Islamabad, the 16th March, 2020

No. F. 1-ATP/HQ/(Ad)/2019.—On attaining the age of superannuation Mr. Shuja-Ur-Rehman, Assistant Registrar, (BS-16), Appellate Tribunal Inland Revenue, Bench-IX, Lahore shall stand retired from Government Service with effect from 10th May, 2020.

SHAHID MASOOD MANZAR,
Chairman.

Islamabad, the 9th March, 2020

No. F. 1-ATP/HQ/(Ad)/2020.—In pursuance of Law & Justice Division, Islamabad's Notification No. F. 1 (2)/ 2015-A-IV, dated 26th February, 2020, Dr. Shahid Siddiq Bhatti has assumed the charge of the post of Accountant Member (BS-21), in Appellate Tribunal Inland Revenue, (Bench-V), Lahore, on 2nd March, 2020 (F.N).

This is being issued with the approval of the Hon'ble Chairman, ATIR.

No. F. 1-ATP/HQ/(Ad)/2020.—In pursuance of Law & Justice Division, Islamabad's Notification No. F. 1 (2)/ 2015-A-IV, dated 26th February, 2020, Mr. Raza Munawar has assumed the charge of the post of Accountant Member (BS-21), in Appellate Tribunal Inland Revenue, (Bench-II), Lahore, on 2nd March, 2020 (F.N).

This is being issued with the approval of the Hon'ble Chairman, ATIR.

No. F. 1-ATP/HQ/(Ad)/2020.—In pursuance of Law & Justice Division, Islamabad's Notification No. F. 1 (2)/ 2015-

A.IV, dated 26th February, 2020, Mr. Muhammad Azam Shaikh has assumed the charge of the post of Accountant Member (BS-21), in Appellate Tribunal Inland Revenue, (Bench-VI), Lahore, on 5th March, 2020 (F.N).

This is being issued with the approval of the Hon'ble Chairman, ATIR.

No. F. 1-ATP/HQ/(Ad)/2020.—In pursuance of Law & Justice Division, Islamabad's Notification No. F. 1 (2)/ 2015-A.IV, dated 26th February, 2020, Mr. Anwar-ul-Haq has assumed the charge of the post of Accountant Member (BS-21), in Appellate Tribunal Inland Revenue, (Bench-III), Lahore, on 2nd March, 2020 (F.N).

This is being issued with the approval of the Hon'ble Chairman, ATIR.

Islamabad, the 16th March, 2020

No. F. 1-ATP/HQ/(Ad)/2020.—With the approval of the Hon'ble Chairman, ATIR, Mr. Muhammad Younus Sharif, Senior Private Secretary (BS-19), Appellate Tribunal Inland Revenue, Bench-VI, Karachi has been granted 32 days leave on full pay with effect from 30th March, 2020 to 30th April, 2020.

No. F. 1-ATP/HQ/(Ad)/2020.—Pursuant to this office notification of even number, dated 10th February, 2020, Ms. Farhat Yasmeen has relinquished the charge of the post of Private Secretary (BS-18), Appellate Tribunal Inland Revenue, Lahore, on 4th February, 2020 (A.N).

Ms. Farhat Yasmeen, has assumed the charge of the post of Private Secretary (BS-18), Appellate Tribunal Inland Revenue, Lahore, on 9th March, 2020 (F.N).

This is being issued with the approval of the Hon'ble Chairman, ATIR.

No. F. 1-ATP/HQ/(Ad)/2020.—In pursuance of Law & Justice Division, Islamabad's Notification No. F. 1 (39)/2015-A.IV, dated 28th February, 2020, on his promotion as Private Secretary (BS-17) Mr. Shehzada Gulfam has relinquished the charge of the post of Assistant Private Secretary (BS-16), Appellate Tribunal Inland Revenue, Bench-VI, Lahore, on 5th March, 2020.

Mr. Shehzada Gulfam, has assumed the charge of the post of Private Secretary (BS-17), Appellate Tribunal Inland Revenue, Peshawar Bench, Peshawar, on 6th March, 2020.

This is being issued with the approval of the Hon'ble Chairman, ATIR.

ABDUL RASHEED UJJAN,
Assistant Registrar (Admn).

COUNCIL OF ISLAMIC IDEOLOGY

Islamabad, the 17th March, 2020

No. F. 1(16)/80-Admn-CII/25.—Consequent upon attaining the age of superannuation, Mr. Muhammad Rafiq Malhi, Senior Private Secretary (BPS-19) Council of Islamic Ideology who opted for encashment of L.P.R. shall stand retired from Government Service with effect from 15th April, 2020.

This issues with the approval of Secretary, Council of Islamic Ideology.

MUHAMMAD ATIQ-UR-REHMAN,
Deputy Director (Admn/HR).

FEDERAL GENERAL HOSPITAL

Islamabad, the 16th March, 2020

No. PF/379-BS/Admn-FGH.—With the approval of competent authority, Ms. Bibi Sadia, Charge Nurse (BS-16), Federal General Hospital, Chak Shahzad, Islamabad has been granted 20 days leave with full pay with effect from 12th March, 2020 to 31st March, 2020.

After expiry of the leave, the officer concerned will assumed her duty on 1st April, 2020 on the same post at the same station.

No. PF/75-MA/Admn-FGH.—With the approval of competent authority, Mr. Muhammad Ashraf, Charge Nurse (BS-16), Federal General Hospital, Chak Shahzad, Islamabad has been granted 10 days leave with full pay with effect from 2nd March, 2020 to 11th March, 2020.

After expiry of the leave, the officer concerned will assumed his duty on 12th March, 2020 on the same post at the same station.

No. PF/352-M/Admn-FGH.—With the approval of competent authority, Ms. Marjan, Charge Nurse (BS-16), Federal General Hospital, Chak Shahzad, Islamabad has been granted 06 days leave with full pay with effect from 6th March, 2020 to 11th March, 2020.

After expiry of the leave, the officer concerned will assumed her duty on 12th March, 2020 on the same post at the same station.

No. PF/351-A/Admn-FGH.—With the approval of competent authority, Mr. Amulakh, Charge Nurse (BS-16), Federal General Hospital, Chak Shahzad, Islamabad has been granted 25 days leave with full pay with effect from 11th March, 2020 to 4th April, 2020.

After expiry of the leave, the officer concerned will assumed his duty on 5th April, 2020 on the same post at the same station.

No. PF/367-J/Admn-FGH.—With the approval of competent authority, Mr. Jabran, Charge Nurse (BS-16), Federal General Hospital, Chak Shahzad, Islamabad has been granted 07 days leave with full pay with effect from 15th March, 2020 to 21st March, 2020.

After expiry of the leave, the officer concerned will assumed his duty on 22nd March, 2020 on the same post at the same station.

MUHAMMAD IQBAL GUJJAR,
Superintendent (Admn).

FEDERAL GOVERNMENT POLYCLINIC

(Postgraduate Medical Institute)

Islamabad, the 21st March, 2020

No. PF. 1/4748/07.—Dr. Henna Azmat, Medical Officer (BS-17) Federal Government Polyclinic, Islamabad was allowed training deputation for completion of MD (Histopathology) in PIMS, Islamabad with effect from 1st January, 2016 by the CA&DD's *vide* their Notification No. F. 2-24/2013-Estt-II (FGPC) dated 11th March, 2016.

After Completion of Training, she has joined her duty in this hospital with effect from 16th March, 2020.

No. FGPC. 1/2033/2020.—Ms. Farzana Gulzar, Nursing Instructor, (BS-17) of Federal Government Polyclinic, Islamabad was granted leave on full pay on medical grounds with effect from 25th February, 2020 to 10th March, 2020 (15 days). Now she has resumed her duty on 11th March, 2020 after availing leave.

No. PF. 1/2869/88.—Dr. Aftab Ahmed, Physician (Paeds), Federal Government Polyclinic, Islamabad was granted 15 days leave on full pay with effect from 2nd March, 2020 to 16th March, 2020.

After availing above leave, he has joined his duty with effect from 17th March, 2020.

No. FGPC. 1/2033/2020.—Ms. Nazia Parveen, Charge Nurse (BS-16), Federal Government Polyclinic, Islamabad was granted leave on full pay with effect from 24th January, 2020 to 8th March, 2020 (45 days). Now she has resumed duty on 2nd March, 2020 after availing leave.

DR. FAROOQ AKHTAR,
Deputy Executive Director.

GEOLOGICAL SURVEY OF PAKISTAN

Quetta, the 28th October, 2019

Quetta, the 7th October, 2019

No. Estt-I-491/PF.—The competent authority *i.e.* Secretary, Ministry of Energy (Petroleum Division) *vide* Letter No. GSP-3(120)/86 dated 20th August, 2019 has been pleased to approve the leave encashment pay for 110 days in lieu of 110 days of L.P.R. to Mr. Muhammad Mushtaq, Senior Chemist (BPS-18), Geological Survey of Pakistan, Lahore, who will stand retired from Government Service with effect from 7th June, 2020 (last working day). His pension will commence with effect from 8th June, 2020.

Quetta, the 9th October, 2019

No. Estt-I-881/PF.—Consequent upon his promotion to the post of Assistant Private Secretary (BPS-16) *vide* this Department Office Order No. Estt-II-Promo-2(6)/2015 dated 17th July, 2019. Mr. Faisal Khan, Stenotypist (BPS-14), GARL, GSP, Islamabad has assumed the charge of the post of Assistant Private Secretary (BPS-16) on 1st August, 2019 at GSP, H-8 office, Islamabad.

The officer will be on probation for a period of one year in terms of Rule-21 of the Civil Servants (Appointment, Promotion and Transfer) Rules, 1973.

The officer will draw his salary under the Head of Account Part-I, GSP, Islamabad.

No. Estt-I-756/PF.—In partial modification of this office notification of even number dated 17th June, 2019 the Director General, Geological Survey of Pakistan has been pleased to grant 40 days *ex-Pakistan* leave on half pay to perform Hajj from 5th August, 2019 to 13th September, 2019 to Ms. Nazafat Taskeen, Assistant Director, Geological Survey of Pakistan, Lahore (with permission to leave the station) subject to title.

On expiry of the leave, the officer has assumed her duty on the same post and station.

Quetta, the 17th October, 2019

No. Estt-I-696/PF.—The competent authority *i.e.* Director General, Geological Survey of Pakistan has been pleased to approve a *lump-sum* payment equal to leave pay up to 365 (three hundred sixty five days) out of the leave at the credit with effect from 18th October, 2017 to 17th October, 2018, in respect of Mr. Shafique Anwar, Ex-Assistant Private Secretary (BPS-16), GSP, Peshawar who retire on medical grounds from service, in accordance with SI No. 1, Para 19, Revised Leave Rules, 1980, Estacode (Edition 2007) Volume-I.

No. Estt-I-797/PF.—Mr. Mansoor Ahmed, Drilling Engineer, Geological Survey of Pakistan, Quetta is granted 26 days leave on full pay from 14th October, 2019 to 8th November, 2019 (with permission to leave the station on 11th October, 2019 A.N) subject to title.

On expiry of the leave, the officer will assume his duty on the same post and station.

Quetta, the 30th October, 2019

No. Estt-I-841/PF.—Mr. Sartaj Ali, Assistant Director, Geological Survey of Pakistan, Quetta is granted 15 days leave on full pay from 23rd September, 2019 to 7th October, 2019 (with permission to leave the station) subject to title.

On expiry of the leave, the officer is likely to assume his duty on the same post and station.

ZAHID HUSSAIN KHAN,
Deputy Director (Admn).

Quetta, the 11th October, 2019

No. Estt-I-591/PF.—In pursuance of Ministry of Energy (Petroleum Division), Islamabad Letter No. GSP-2(109)/2009-Pt dated 10th October, 2019, the Competent Authority *i.e.* Secretary, Ministry of Energy (Petroleum Division) has been pleased to grant extension in current charge to Mr. Zahid Hussain Khan, Assistant Director (Admn) (BPS-17), Geological Survey of Pakistan Quetta to the post of Deputy Director (Admn) (BPS-18), Geological Survey of Pakistan, Quetta for another period of 90 days with effect from 1st October, 2019, or till the availability of regular incumbent whichever is earlier. The officer will be entitled to draw special pay as admissible under rules.

AHMED SULTAN,
Superintendent.

HEADQUARTERS, AIRPORTS SECURITY FORCE

Karachi, the 11th March, 2020

No. 51/771/93/FS-I.—On attaining the age of superannuation *i.e.* 60 years SF-611 Additional Director Abdul Rasheed Siddiqui has been retired from Government Service with effect from 8th March, 2020. The Officer relinquished charge of the post of Additional Director at ASF Multan Airport on 7th March, 2020 (A/N).

Karachi, the 12th March, 2020

No. 43/10/2020/FS-I.—Following Deputy Directors (BPS-18) of ASF were granted leave on full pay subject to entitlement for the period as mentioned against their names :-

S. No.	F / No.	Name	Station	Days	From	To	Date of Resumption
1.	SF-708	Naushad Ahmad	Peshawar Airport	20	23-12-2019	11-01-2020	12-01-2020
2.	SF-814	M. Safdar Ali Bhatti	ASF Academy	19	30-12-2019	17-01-2020	18-01-2020
3.	SF-771	Muhammad Iqbal	Karachi Airport	20	08-01-2020	27-01-2020	28-01-2020
4.	SF-819	Mateen Khan	Peshawar Airport	20	08-01-2020	27-01-2020	28-01-2020

2. Above named officers took over charge of the same post at the same Airports/Stations on the dates as shown against each.

No. 43/10/2020/FS-I.—Following Assistant Directors (BPS-17) of ASF were granted leave on full pay subject to entitlement for the period as mentioned against their names :-

S. No.	F / No.	Name	Station	Days	From	To	Date of Resumption
1.	SF-881	M. Fazal-Ur-Rehman	Lahore Airport	35	09-11-2019	13-12-2019	14-12-2019
2.	SF-1045	Ghulam Shabbir	Lahore Airport	70	18-10-2019	26-12-2019	27-12-2019

2. Above named officers took over charge of the same post at the same Airports/Stations on the dates as shown against each.

No. 51/742/93/FS-I.—On attaining the age of superannuation *i.e.* 60 years SF-582 Additional Director Zia-Ul-Haq has been retired from Government Service with effect from 4th March, 2020. The Officer relinquished charge of the post of Additional Director at ASF Lahore Airport att. Faisalabad Airport on 3rd March, 2020 (A/N).

Karachi, the 18th March, 2020

No. 26-1/2020/FS-2.—Consequent upon their transfer, the under mentioned Inspectors (BPS-16) have handed / taken-over charge of the post at the stations on the dates as shown against each :-

S. No.	Force No.	Name	Station with Date of Handing Over Charge	Station with Date of Taking Over Charge
1.	US-3141	Mr. Abdul Aziz	SKR att: TBT 30-01-2020	KHI. 12-01-2020
2.	US-3243	Mr. Muhammad Akram	DBN 20-01-2020	QTA 07-02-2020
3.	US-3306	Mr. Nasir Ali	KHI 27-01-2020	KHI att. T.B.T. 08-02-2020
4.	US-3894	Mr. Muhammad Yaseen	A/G att. HQ (FIU) 21-01-2020	MTN 17-02-2020
5.	US-4197	Mr. Emmanuel Masih	PSH (FIU) 10-02-2020	ISL att. MTN 04-03-2020
6.	US-4283	Syed Muhammad Saleem	GWD 20-01-2020	KHI 03-02-2020
7.	US-4454	Mr. Muhammad Javed	QTA att. DBN 21-01-2020	QTA 28-01-2020
8.	US-4489	Mr. Amin Shah	ISL 28-02-2020	FSL 03-03-2020
9.	US-4510	Mr. Badshah Din	PSH 20-01-2020	PSH att. CHT 28-01-2020
10.	US-5243	Mr. Waqas Haroon	MTN att. LHR 17-02-2020	MTN 25-02-2020

S. No.	Force No.	Name	Station with Date of Handing Over Charge	Station with Date of Taking Over Charge
11.	US-6285	Mr. Muhammad Ali	HQ ASF 06-12-2019	SKD 10-01-2020
12.	US-8593	Mr. Ilyas Shafqat	FSL 13-01-2020	ISL att. DGK 21-01-2020

MUHAMMAD YASEEN,
Deputy Director, A / Force Secretary.

OFFICE OF THE DIRECTOR GENERAL FEDERAL
INVESTIGATION AGENCY

Islamabad, the 18th March, 2020

No. A/P-I/Admn(N)/2019.—Mr. Ahmed Rizwan, Assistant Director/FIA (BS-17) presently posted at FIA Circle Gujrat, Punjab Zone-I, is hereby assigned the look after charge of Deputy Director, FIA Circle Gujrat, Punjab Zone-I, in his own pay scale with immediate effect, and till further orders.

This is issued with the approval of Additional Director General (North).

Islamabad, the 19th March, 2020

No. A/M-I/Admn(N)/2020.—Twenty days (20) leave on full pay (LFP) is hereby granted to Mr. Nadeem Amar, Deputy Director Law (BS-18) FIA Punjab Zone-II with effect from 11th March, 2020 to 31st March, 2020.

This is issued with the approval of Additional Director General (North).

Islamabad, the 20th March, 2020

No. A/P-I/Admn(N)/2019.—Rana Muhammad Asif Iqbal, Assistant Director Law (BS-17) presently at the disposal of Additional Director General (North), is hereby transferred and posted to FIA AHTC, Punjab Zone-I, Lahore with immediate effect, and till further orders.

This is issued with the approval of Additional Director General (North).

ADEEL ABBAS,
Deputy Director Coord.

Islamabad, the 19th March, 2020

No. E-1(76)/Admn/2020.—Mr. Bilal Tariq, Assistant Director (BS-17) presently posted at FIA ACC Punjab Zone-I, Lahore is hereby sanctioned 120 days leave on full pay on medical grounds with effect from 15th September, 2019 to 13th January, 2020. His absence period may be treated as leave on full pay on medical grounds.

This is issued with the approval of Additional Director General/North.

TARIQ MAHMOOD,
Deputy Director.

OFFICE OF THE INSPECTOR GENERAL FRONTIER
CORPS KHYBER PAKHTUNKHWA

Peshawar, the 14th February, 2020

No. 22/Prom/33/X/RW.—On completion of probationary period of six months, under mentioned Junior Commissioned Officers are confirmed in their present rank from the date as noted against each :-

1. Number 1200253 Subedar Hukam Badshah, Dir of Swat Scouts with effect from 30th September, 2019.
2. Number 702348 Subedar Mehran Gul, Mahsud of Swat Scouts with effect from 5th January, 2019.
3. Number 1201108 Subedar Nasir Ali, Dir (Mechanical Transport Establishment) of Swat Scouts with effect from 13th March, 2019.
4. Number 103397 Subedar Inayat Hussain, Turi of Swat Scouts with effect from 7th August, 2018.
5. Number 104170 Subedar Aurang Zeb Khan, Bhattani of Swat Scouts with effect from 31st March, 2019.
6. Number 1102243 Subedar Samar Jan, Bhattani of Mohmand Rifles with effect from 12th February, 2018.
7. Number 1103824 Naib Subedar Tahir Mehmood, Khattak of Mohmand Rifles with effect from 2nd October, 2018.
8. Number 1103150 Naib Subedar Khial Hussain of Mohmand Rifles with effect from 18th September, 2019.
9. Number 202686 Subedar Wali Khan, Khalil Mohmand of Mohmand Rifles with effect from 27th November, 2018.
10. Number 1103305 Subedar Tahir Abbas, Bangash of Mohmand Rifles with effect from 1st February, 2019.
11. Number 1103348 Naib Subedar Jomar Jan, Afridi of Mohmand Rifles with effect from 4th September, 2019.
12. Number 1103590 Naib Subedar Alam Zeb, Dir of Mohmand Rifles with effect from 30th June, 2019.

13. Number 1103637 Naib Subedar Javid Khan, Mohmand of Mohmand Rifles with effect from 3rd February, 2019.
14. Number 504890 Naib Subedar Sajid Mehmood, Afridi of Mohmand Rifles with effect from 25th September, 2019.
15. Number 505124 Naib Subedar Sultan Zeb, Shilmani of Mohmand Rifles with effect from 5th September, 2019.
16. Number 801809 Subedar Mian Muhammad, Ranizai of Bajaur Scouts with effect from 11th November, 2019.
17. Number 802235 Naib Subedar Abdul Hameed, Khattak of Bajaur Scouts with effect from 11th November, 2019.
18. Number 802929 Naib Subedar Rashid Hussain, Turi (Mechanical Transport Establishment) of Bajaur Scouts with effect from 31st October, 2019.
19. Number 802177 Naib Subedar Tasir Khan, Khattak of Bajaur Scouts with effect from 28th April, 2018.
20. Number 802057 Subedar Niaz Ali, Khattak of Bajaur Scouts with effect from 30th June, 2019.
21. Number 802072 Naib Subedar Muzaffar Hussain, Turi of Bajaur Scouts with effect from 1st October, 2019.

MUHAMMAD IMRAN, *Lieutenant Colonel.*,
Officer Incharge Record.

OFFICE OF THE INSPECTOR GENERAL OF POLICE

[NATIONAL HIGHWAYS & MOTORWAY POLICE]

Islamabad, the 19th February, 2020

No. NH&MP/N-5(N)10(03)/2020/258.—IP/SPO Aftab Ahmad Khan, S-571 (BS-16), presently posted at Beat-01 N-75 IMDC, NHMP is hereby granted Fourteen (14) days ex-Pakistan Leave with effect from 24th February, 2020 to 8th March, 2020 (both days inclusive) to perform "Umrah" in his private capacity.

2. IP/SPO Aftab Ahmad Khan, S-571 (BS-16), during leave (ex-Pakistan) will not indulge himself in any activity which is not permitted to a Government Servants under Conduct Rules-1964 and NH&MP E&D Rules-2016 or any other law, including prohibition on seeking Immigration/Nationality of a foreign country.

3. Moreover, no request for extension in ex-Pakistan leave will be entertained and on expiry of said leave, the officer shall report on 9th March, 2020 at his place of posting otherwise, strict disciplinary action under NH&MP E&D Rules 2016 will be taken by the concerned Supervisory Officer against him under intimation to all concerned.

4. This office has no objection, if IP/SPO Aftab Ahmad Khan, S-571 (BS-16), bearing CNIC No. 35200-1511923-3 & Passport No. CW4109234, proceeds to Kingdom of Saudi

Arabia to perform "Umrah" in his private capacity during 14 days leave (ex-Pakistan). However, there will be no financial liability of Government of Pakistan during Private visit/ex-Pakistan leave period of the officer.

5. This issues in pursuance of NH&MP Central Police Office Circular No. NH&MP-3(7)/12/EA/Leave Policy/2460, dated 5th November, 2018 to perform Hajj/Umrah/Ziarat.

MUHAMMAD ALAM SHINWARI, *PSP*,
Deputy Inspector General.

Quetta, the 18th February, 2020

No. NH&MP/DIG(West)AD/HRM-I/20/68.—Mr. Shafiq-ur-Rahman DSP/CPO (BS-17) of Beat-II, Pasni, N-10, Gwader is hereby granted 10 days Monthly Rotation alongwith 2 days Casual Leave with effect from 23rd February, 2020 to 5th March, 2020.

2. During the leave period, IP/SPO Dolat Khan, Admin Officer of Beat-II Pasni, N-10, Coastal Highways Gwadar will look after the routine affairs of Beat-II, Pasni, N-10, Gwadar in addition to his own assignment in existing pay/scale.

No. NH&MP/DIG(West)AD/HRM-I/2020/71.—Mr. Abdur Raheem DSP/CPO (BS-17) of Beat-14 Quetta, Sector-III, N-25, RCD Kalat is hereby granted 6 days Monthly Rest alongwith 4 days Casual Leave with effect from 24th February, 2020 to 4th March, 2020.

During the leave period, Admin Officer of Beat-14 Quetta Sector-III, N-25, RCD Kalat will look after the routine affairs in addition to his own assignment in existing pay/scale.

No. NH&MP/DIG(West)AD/HRM-I/2020/66.—Mr. Naveed Siddiqui DSP-CPO (BS-17) of Beat-12 Khad Kucha, Sector-III, N-25, RCD Kalat is hereby granted 6 days casual leave alongwith 6 days Monthly Rest with effect from 1st March, 2020 to 12th March, 2020.

During the leave period, Admin Officer of Beat-12 Khad Kucha Sector-III, N-25, RCD Kalat will look after the routine affairs in addition to his own assignment in existing pay/scale.

No. NH&MP/DIG(West)AD/HRM-I/2020/67.—Mr. Abu-al-Hasnat Rao DSP-CPO (BS-17) of Acting Sector Commander N-10, Coastal Highway Gwadar is hereby granted 10 days Monthly Rest alongwith 6 days Casual leave with effect from 21st February, 2020 to 7th March, 2020.

2. During the leave period, Mr. Sohail Aslam DSP/CPO (BS-17) of LHQ N-10 Coastal Highway Gwadar will look after the routine affairs of the office of Sector Commander, N-10, Coastal Highway Gwadar in addition to his own assignment in existing pay/scale.

ALI SHER JAKHRANI, *PPM, PSP*,
Deputy Inspector General.

Islamabad, the 18th February, 2020

No. NH&MP-10(1)/HRM/202/SPO/373.—The following officers are hereby transferred to the Zones as mentioned against their names, on their own requests, with immediate effect and until further orders :-

S. No.	Rank, Name & No. of officers	From	To
1.	IP/SPO Zafar Iqbal Baig (S-328)	Motorway Zone	N-5 (Central) Zone
2.	IP/SPO Qutab Khan (S-1337)	N-5 (Central) Zone	Motorway Zone

2. The above mentioned officers shall be relieved immediately with the direction to report at their new place of posting within actual permissible travelling time as provided in Circular issued *vide* No. NH&MP-2(4)/12/SOP/Estt/1385 dated 22nd July, 2015.

3. Upon relieving of these officers, their duly completed and updated Service Records & Last Pay Certificates (LPCs) be sent to concerned Zone, with in 7 days.

4. No TA/DA will be admissible.

5. This issues with the approval of Inspector General of Police, NH&MP.

Islamabad, the 19th February, 2020

No. NH&MP-10(9A)/2012/LM/PSP/393.—Mr. Muhammad Alam Shinwari, PSP/DIG (BS-20), presently posted as DIG, N-5 (North) Zone, NH&MP, is hereby granted four (04) days ex-Pakistan Leave with effect from 21st February, 2020 to 24th February, 2020 to visit Dubai in private capacity.

2. This office has no objection on proceeding abroad of Mr. Muhammad Alam Shinwari, PSP/DIG (BS-20), bearing CNIC No. 21203-3504569-7 & Passport No. AA5105694 for said purpose.

3. Mr. Ishfaq Ahmed, PSP/DIG (BS-20) presently posted as DIG Motorway Zone is assigned to look after the duties of DIG N-5 North Zone during leave period of Mr. Muhammad Alam Shinwari, PSP/DIG, in addition to his own duties.

4. This issues with the approval of Inspector General, NH&MP.

No. NH&MP-3(14)/19/HRM/Policy/West/396.—The following uniformed Police officers are hereby transferred and posted to the Zones as mentioned against their names, with immediate effect and till further orders :-

S. No.	Rank, Name & Belt No,	From	To
1.	SPO Syed Hasnat Ali S-522	West Zone	M-4 Zone
2.	SPO Tajdar Abbas, S-523	West Zone	Motorway Zone

S. No.	Rank, Name & Belt No.	From	To
3.	SPO Farid Khumar, S-524	West Zone	N-5 Central Zone
4.	SPO Shafiq-ur-Rehman, S-525	West Zone	N-5 North Zone
5.	SPO Muhammad Azeem, S-526	West Zone	N-5 Central Zone
6.	SPO Tanveer Tabasum, S-527	West Zone	Motorway Zone
7.	SPO Amjad Sultan, S-529	West Zone	PLHQ Zone
8.	SPO Rizwan Nazir, S-530	West Zone	NH&MP Training College
9.	SPO Arif Ahmed, S-532	West Zone	N-5 North Zone
10.	SPO Muhammad Farooq, S-533	West Zone	M-4 Zone
11.	SPO Muhammad Awais, S-534	West Zone	Motorway Zone
12.	SPO M. Saleem Ullah. S-535	West Zone	Motorway Zone
13.	SPO Akif Nishat, S-536	West Zone	Motorway Zone
14.	SPO Irfan Anwar, S-729	West Zone	Motorway Zone
15.	SPO Syed Imran Ahmed, S-537	West Zone	N-5 Central Zone
16.	SPO Haroon Masood, S-538	West Zone	Motorway Zone
17.	SPO Tanveer Ahmed, S-539	West Zone	NH&MP Training College
18.	SPO M. Ibrar Ishaq, S-543	West Zone	N-5 North Zone
19.	SPO Qurban Ali Khan, S-545	West Zone	Motorway Zone
20.	SPO Sajida Perveen, S-1660	West Zone	N-5 North Zone

2. The officers who have not yet completed 183 days posting tenure at West Zone shall be relieved from West Zone upon completion of 183 days. All other officers who have completed prescribed posting period shall immediately be relieved with the direction to report at their respective posting Zones within actual permissible travelling time. In case of late reporting, the receiving DIG/Zonal Commander, shall initiate strict disciplinary action against delinquent officers, under NH&MP E&D Rules-2016.

3. Upon relieving of these officers from West Zone, their duly completed and updated service record alongwith LPC be sent to receiving Zone.

4. This issues with the approval of Inspector General, NH&MP.

No. NH&MP-3(14)/19/HRM/Policy/West/397.—The following uniformed Police officers are hereby transferred and posted to the Zones as mentioned against their names, with immediate effect and till further orders :-

S. No.	Rank, Name & Belt No.	From	To
1.	SPO Muhammad Owais, S-547	Motorway Zone	West Zone
2.	SPO Naeem Iqbal, No. S-761	N-5 Central Zone	West Zone
3.	SPO Shahid Mahmood Manan, S-548	N-5 Central Zone	West Zone
4.	SPO Khalid Mahmood, S-549	Motorway Zone	West Zone
5.	SPO M. Riaz Ahmed, No. S-550	Motorway Zone	West Zone
6.	SPO M. Jawad Ali, S-551	N-5 North Zone	West Zone
7.	SPO Abid Hussain, S-730	N-5 Central Zone	West Zone
8.	SPO Haroon Wazir, S-559	Motorway Zone	West Zone
9.	SPO Zahid Awais, S-562	NH&MP Training College	West Zone
10.	SPO Altaf Hussain, S-563	N-5 Central Zone	West Zone
11.	SPO Muqeed Raza, S-567	NH&MP Training College	West Zone
12.	SPO Abdul Latif Khan, S-569	N-5 North Zone	West Zone
13.	SPO Murtaza Khan, S-570	Motorway Zone	West Zone
14.	SPO Farrukh Hayat Khan, S-573	PLHQ Zone	West Zone
15.	SPO M. Saleem Shahid, S-575	N-5 Central Zone	West Zone
16.	SPO Shahid Hussain, S-576	N-5 North Zone	West Zone
17.	SPO Muhammad Habib, No. S-577	N-5 Central Zone	West Zone
18.	SPO Shahzad Yousaf, S-578	N-5 Central Zone	West Zone
19.	SPO Atif Ghafoor Bhatti, S-699	PLHQ Zone	West Zone

2. As per Standing Order No. 01/2018 dated 28th August, 2018 the above mentioned officers shall be relieved within 48 hours from their respective Zones with the direction to report at West Zone within actual permissible travelling time. In case of late reporting, the receiving DIG/Zonal Commander, shall initiate strict disciplinary action against delinquent officers, under NH&MP E&D Rules-2016.

3. Upon relieving of these officers, their duly completed and updated service record alongwith LPC be sent to receiving Zone.

4. This issues with the approval of Inspector General, NH&MP.

Islamabad, the 20th February, 2020

No. NH&MP-88(1)/2019/161.—Mr. Arslan Mushtaq, Deputy Director (BS-18), presently posted at CPO-HQ, NHMP Islamabad is hereby posted as Deputy Director (PD&R), NH&MP, under the administrative control of DIG (PD&R), NH&MP, Islamabad with immediate effect and until further orders.

This issues with the approval of Inspector General of Police, NH&MP.

No. NH&MP-8(1)/2012/Leave/DSP/423.—Mr. Yasir Dotani, DSP/CPO (BS-17) presently posted in West Zone is hereby granted (180 days) earned leave with effect from 22nd October, 2019 to 18th April, 2020, on medical grounds.

Upon expiry of said leave, the officer shall report at his present posting zone, otherwise, strict disciplinary action under NH&MP (F&D) Rules, 2016 will be taken by the concerned Supervisory Officer against him, under intimation to all concerned.

This issues with the approval of Inspector General of Police, NH&MP.

SYED HASHMAT KAMAL, PSP,
Assistant Inspector General (HRM).

PAKISTAN ACADEMY OF LETTERS

Islamabad, the 17th March, 2020

No. PF. 236/88-Admn.—Mrs. Shehla Mir Nawaz, Superintendent (Stores) BS-17, Pakistan Academy of Letters (PAL), Head Office, Islamabad is hereby allowed Encashment of LPR for the period of 365 days as admissible under the rules with effect from April, 21, 2020 to April 20, 2021 as requested by her *vide* her applications dated March 10, 2020 for Encashment of LPR. The officer has 367 days Earned Leave at her credit as on March 17, 2020.

Mrs. Shehla Mir Nawaz, Superintendent (Stores) will stand retire from the Government Service with effect from April 21, 2021. Her pension dues would be finalized in due course of time as per rules on submission of Pension Papers complete in all respect by the officer.

This issues with the approval of the Chairman, PAL.

MALIK MAHER ALI,
Administrative Officer.

PAKISTAN BUREAU OF STATISTICS

Islamabad, the 12th March, 2020

No. PBS.IBD.P-4(274)/2020-1141.—Consequent upon grant of higher time scale from the post of Private Secretary (BS-18) to the post of Senior Private Secretary (BS-19) *vide* this Bureau's Notification No. PBS.RS.2(11)/88-163

dated 2nd March, 2020, Mr. Muhammad Saleem Qureshi has relinquished the charge of the post of Private Secretary (BS-18) on 6th February, 2020 at PBS HQ, Islamabad and assumed the charge of Senior Private Secretary (BS-19) on the same date & station.

No. PBS.IBD.P-7(25)/2015-1140.—Having exercised the option for encashment of his leave preparatory to retirement in accordance with Finance Division O.M. No. F. 1 (73)R-4/84 dated 18th December, 1984 amended *vide* S.R.O. 70(KE)/2012 dated 29th August, 2012 and with the approval of Member (RM). Mr. Atta-ur-Rehman, Deputy Director (BS-18), Pakistan Bureau of Statistics, Islamabad is granted 320 days encashment (in lieu of LPR) with effect from 22nd April, 2019 to 9th December, 2019 (232 days) and 25th January, 2020 to 21st April, 2020 (88 days).

Mr. Atta-Ur-Rehman, Deputy Director (BS-18), shall stand retire from Government Service with effect from 21st April, 2020. His date of birth is 22nd April, 1960.

This supersedes notification of even number dated 18th March, 2019.

No. PBS.IBD.P-4(233)/2010-04.—With the approval of Member (RM). Mrs. Kaneez Amna, Statistical Officer (BS-17), PBS, Islamabad is granted 89 days 3rd Maternity Leave on full pay (as per Para 23 Revised Leave Rules-1980) with effect from 24th February, 2020 to 22nd May, 2020 with permission to prefix and suffix weekly holidays falling on 22nd, 23rd February & 23rd, 24th May 2020 respectively.

She is expected to return to the same post and station on expiry of the leave.

No. 5(18)/2018-PCO(Admn)-1.—Consequent upon his promotion from the post of Statistical Assistant (BS-16) to the post of Statistical Officer (BS-17), *vide* this Bureau's Notification No. PBS.RS.4(14)/2018-P-170 dated 2nd March, 2020, Syed Abdul Mutalib has assumed the charge of the post of Statistical Officer (BS-17) on 6th February, 2020 on the same station.

No. PBS.IBD.P-4(274)/2020-2.—Having exercised the option for encashment of his leave preparatory to retirement in accordance with Finance Division O. M. F. 1 (73)R-4/84 dated 18th December, 1984 amended *vide* S.R.O. 70(KE)/2012 dated 29th August, 2012 and with the approval of Member (RM). Syed Abdul Mutalib, Statistical Officer (BS-17), Pakistan Bureau of Statistics, Islamabad is granted encashment 365 days with effect from 13th February, 2020 to 12th February, 2021 in lieu of 365 days leave preparatory to retirement.

Syed Abdul Mutalib, Statistical Officer (BS-17), shall stand retire from Government Service with effect from 12th February, 2021. His date of birth is 13th February, 1961.

This supersedes Office Order No. PBS.IBD.P-15 (167)/86-06 dated 27th December, 2019.

Islamabad, the 13th March, 2020

No. PBS.IBD.P-4(228)/2010-07.—With the approval of Director (Admn). Mrs. Ayesha Ashfaq, Statistical Officer

(BS-17), PBS, Islamabad is granted 10 days Leave on full pay (LFP) with effect from 24th March, 2020 to 2nd April, 2020, subject to leave admissibility certificate from AGPR, Islamabad.

She is expected to return to the same post and station on expiry of the leave.

No. 5(169)/90-PCO(A)-08.—Consequent upon his promotion from the post of Statistical Assistant (BS-16) to the post of Assistant Census Commissioner (BS-17), *vide* this Bureau's Notification No. PBS.RS.2(22)/2007-P-164 dated 2nd March, 2020, Mr. Muhammad Junaid Ahmed has assumed the charge of the post of Assistant Census Commissioner (BS-17) in the Pakistan Bureau of Statistics, (HQ) Islamabad on 6th February, 2020 on the same station.

No. 5(169)/90-PCO(A)-09.—Having exercised the option for encashment of his leave preparatory to retirement in accordance with Finance Division O.M. No. F. 1 (73)R-4/84 dated 18th December, 1984 amended *vide* S.R.O. 70(KE)/2012 dated 29th August, 2012 and with the approval of Member (RM). Mr. Muhammad Junaid Ahmed, Assistant Census Commissioner (BS-17), Pakistan Bureau of Statistics, Islamabad is granted encashment of 365 days with effect from 25th January, 2020 to 24th January, 2021 in lieu of 365 days leave preparatory to retirement.

2. Mr. Muhammad Junaid Ahmed, Assistant Census Commissioner (BS-17), shall stand retire from Government Service with effect from 24th January, 2021. His date of birth is 25th January, 1961.

3. This supersedes Office Order of even number dated 21st January, 2020.

SADIA CHAUDHRY,
Assistant Director (Admn).

Islamabad, the 12th March, 2020

No. PBS.IBD.P-4(257)/2011-330.—Consequent upon his promotion from the post of Statistical Officer (BS-17) to the post of Chief Statistical Officer (BS-18), and posting from PBS, HQ, Islamabad to PBS, Regional Office, Abbottabad *vide* this Bureau's Notification No. PBS. RS.4 (7)/13-P-172 dated 2nd March, 2020, Syed Jawad Ali Shah, has assumed the charge of the post Chief Statistical Officer (BS-18), on 11th March, 2020 at Pakistan Bureau of Statistics, Regional Office, Abbottabad.

No. PBS.FS.P-3(60)/99-315.—Having exercised the option for encashment of his leave preparatory to retirement in terms of Rule 18-A of the Revised Leave Rules, 1980 amended *vide* Finance Division's S.R.O. 70(KE)/2012 dated 29th August, 2012 and with the approval of Member (RM). Mr. Hamayun Khan Khattak, Statistical Officer (PBS-17), PBS, Regional Office, Bannu has been granted encashment of LPR of 365 days, in lieu of 365 days leave with effect from 15th February, 2019 to 14th February, 2020.

This supersedes this Bureau's office order of even number dated 7th March, 2019.

No. PBS.FS.P-3(60)/99-315.—Mr. Hamayun Khan Khattak, Statistical Officer (PBS-17), PBS, Regional Office, Bannu has been retired from Government Service on attaining the age of superannuation on 14th February, 2020 (His date of birth is 15th February, 1960).

This supersedes this Bureau's office order of even number dated 7th March, 2019.

Islamabad, the 18th March, 2020

No. FBS.HQ.FA.P.(192)/10-359.—Consequent upon his promotion from the post of Statistical Officer (BS-17) to the post of Chief Statistical Officer (BS-18), and transfer from PBS, Field Office, Vehari to PBS, Regional Office, Gujranwala *vide* this Bureau's Notification No. PBS. RS.4(7)/13-P-172 dated 2nd March, 2020, Mr. Muhammad Naseem Akhtar has relinquished the charge of the post of Statistical Officer (BS-17) from PBS, F/O, Vehari on 10th March, 2020 and assumed the charge of the post of Chief Statistical Officer (BS-18), on 11th March, 2020 at Pakistan Bureau of Statistics, Regional Office, Gujranwala.

No. PBS.IBD.P.4(206)/06-353.—Consequent upon his promotion from the post of Statistical Officer (BS-17) to the post of Chief Statistical Officer (BS-18), and transfer from Pakistan Bureau of Statistics, Headquarter, Islamabad, to Pakistan Bureau of Statistics Regional Office, Muzaffarabad *vide* this Bureau's Notification No. PBS. RS.4(7)/13-P-172 dated 2nd March, 2020, Mr. Muhammad Waseem has been relinquished his charge at PBS, Headquarter, Islamabad with effect from 9th March, 2020 and has assumed the charge of the post of Chief Statistical Officer (BS-18), on 10th March, 2020 at Pakistan Bureau of Statistics, Regional Office, Muzaffarabad.

No. PBS.Admn-II-P. 4(506)/85-357.—Consequent upon his promotion from the post of Statistical Assistant (BS-16) to the post of Statistical Officer (BS-17), *vide* this Bureau's Notification No. PBS. RS.4(14)/2018-P-170 dated 2nd March, 2020, Mr. Muhammad Ali, Statistical Assistant (BS-16), Pakistan Bureau of Statistics Regional Office, Multan has assumed the charge of the post of Statistical Officer (BS-17) on 6th February, 2020 at Pakistan Bureau of Statistics, Regional Office, Multan.

No. PBS.Admn-II-P. 4(53)/85-354.—Consequent upon his promotion from the post of Statistical Assistant (BS-16) to the post of Statistical Officer (BS-17), *vide* this Bureau's Notification No. PBS. RS.4(14)/2018-P-170 dated 2nd March, 2020, Mr. Akhlaq Ahmad, Statistical Officer (BS-17), Pakistan Bureau of Statistics, Field Office, D. G. Khan has assumed the charge of the post of Statistical Officer (BS-17) on 6th February, 2020 at Pakistan Bureau of Statistics, Field Office, D.G. Khan.

Islamabad, the 19th March, 2020

No. FBS.HQ.FA.P(100)/2010-461.—Consequent upon his promotion from the post of Statistical Assistant (BS-16) to the post of Statistical Officer (BS-17), *vide* this Bureau's

Notification No. PBS. RS.4(14)/2018-P-170 dated 2nd March, 2020, Mr. Umar Gul, has assumed the charge of the post of Statistical Officer (BS-17) on 6th February, 2020 at Pakistan Bureau of Statistics, Regional Office, Rawalpindi.

Islamabad, the 20th March, 2020

No. PBS.HQ.FA.P(575)/14-380.—Consequent upon his promotion from the post of Statistical Assistant (BS-16) to the post of Statistical Officer (BS-17), and transfer from Pakistan Bureau of Statistics, Field Office, Rahim Yar Khan to Pakistan Bureau of Statistics, Regional Office, Sukkur *vide* this Bureau's Notification No. PBS. RS.4(14)/2018-P-170 dated 2nd March, 2020, Mr. Muhammad Sarwar, has been relived from his duties at PBS, Field Office, Rahim Yar Khan, with effect from 13th March, 2020 and has assumed the charge of the post of Statistical Officer (BS-17) on 6th February, 2020 at Pakistan Bureau of Statistics, Regional Office, Sukkur.

SAFIA BEGUM,
Statistical Officer (Admn-III).

Lahore, the 13th March, 2020

No. F. 5/1-1139/Estt-III.—Consequent upon his promotion from the post of Statistical Assistant (BS-16) to the post of Assistant Agricultural Census Commissioner (BS-17), conveyed *vide* PBS HQ Islamabad's Notification No. PBS.RS.4(14)/2018-P-162, dated 2nd March, 2020, Mr. Abdul Razzaque, has assumed charge of the post of Assistant Agricultural Census Commissioner (BS-17) at Pakistan Bureau of Statistics (ACO-Wing), Lahore on 6th February, 2020.

Lahore, the 18th March, 2020

No. F. 5(26)/89-PCO(Admn)/LHR.—Syed Iqbal Ali, Assistant Census Commissioner (BS-17), Pakistan Bureau of Statistics (PCO Wing) Lahore has assumed charge of the post of Assistant Census Commissioner (BS-17) on 10th March, 2020 after availing of 36 days LFP with effect from 3rd February, 2020 to 9th March, 2020 with permission to suffix holidays on 1st & 2nd February, 2020.

No. F. 5(10)/80-PCO(Admn)/LHR.—Mr. Khalil Ahmad, Assistant Private Secretary (BS-16), Pakistan Bureau of Statistics (PCO Wing) Lahore has assumed charge of the post of Assistant Private Secretary (BS-16) on 11th March, 2020 after availing of 30 days LFP with effect from 10th February, 2020 to 10th March, 2020 with permission to prefix holidays on 8th & 9th February, 2020.

KHALIL-UR-REHMAN RANA,
Deputy Agricultural Census Commissioner (Admn).

PAKISTAN INSTITUTE OF MEDICAL SCIENCES

Islamabad, the 17th February, 2020

No. PF. 253-R/MO(Admin) IH.—Dr. Sadia Nisar, Medical Officer (BPS-17) has been granted 15 days *ex-Pakistan*

leave with full pay with effect from 13th February, 2020 to 27th February, 2020 to perform "Umrah".

This Institute has no objection on her proceeding to Saudi Arabia.

This issues with the approval of the Executive Director.

Islamabad, the 18th February, 2020

No. PF. 2-7(IH)-MCH/Admin, Prof.—Iqtada Haider Shirazi, Professor of Neonatology of MCH Centre is here by granted 28 days leave with full pay from 6th February, 2020 to 4th March, 2020 on medical grounds. He will resume his duty on 5th March, 2020 on the same place.

Islamabad, the 19th February, 2020

No. F. 002-R/A.P/Admin-PIMS.—Syed Murtaza Hussain, Medical Technologist has been granted 14 days Medical leave with full pay with effect from 1st February, 2020 to 14th February, 2020.

This issues with the approval of the Executive Director.

DR. ANJUM JAVED,
Joint Executive Director.

Islamabad, the 18th February, 2020

No. F. 1-18(Prom)/2020(Admin)-IH/PIMS.—Consequent upon the recommendation of the Departmental Promotion Committee given in its meetings held on 11th February, the following Senior Technicians (BPS-14), PIMS, Islamabad are hereby promoted against the vacant posts of Chief Technician (BPS-16) in their respective departments as mentioned against each with effect from 11th February, 2020.

S. No.	Name	Name of Post	Promoted as
1.	Mr. Abdul Saboor	Senior Technician (Dental) BPS-14 (IH)	Chief Technician (Dental) BPS-16 (IH)
2.	Mr. Irfan Ullah Khan	Senior Technician (Physiotherapy) BPS-14 (IH)	Chief Technician (Physiotherapy) BPS-16 (IH)
3.	Wajid Ali	Senior Technician (Pharmacy) BPS-14 (IH)	Chief Technician (Pharmacy) BPS-16 (IH)

2. They are placed on probation for a period of one year.

3. This issues with the approval of the Executive Director PIMS.

DR. MUHAMMAD IQBAL KHAN DURRANI,
Deputy Executive Director.

[THE CHILDREN HOSPITAL]

Islamabad, the 17th February, 2020

No. PF. 3-384(NS)/2012-CH(Admin).—Ms. Naila Samar, Charge Nurse of Children Hospital is hereby granted 07 days leave on medical grounds with full pay with effect from 12th February, 2020 to 18th February, 2020.

No. PF. 3-11(CN)/88-CH(Admin).—Ms. Jessica John Massey, Charge Nurse of Children Hospital is hereby granted 25 days leave with full pay with effect from 5th March, 2020 to 29th March, 2020.

No. PF. 3-246(CN)/96-CH(Admin).—Ms. Kathreen Gill, Charge Nurse of Children Hospital is hereby granted 08 days leave with full pay with effect from 24th February, 2020 to 2nd March, 2020.

Islamabad, the 18th February, 2020

No. PF. 3-321(F.A)/2004-CH(Admin).—Ms. Fouzia Ashraf, Charge Nurse of Children Hospital is hereby granted 20 days leave with full pay with effect from 29th February, 2020 to 19th March, 2020.

No. PF. 3-279(CN)/2000-CH(Admin).—Ms. Aisha Saddiqa, Charge Nurse of Children Hospital is hereby granted 15 days leave on medical grounds with full pay with effect from 10th February, 2020 to 24th February, 2020.

DR. ZULFIQAR GHOURI,
Director (CH).

[MOTHER & CHILD HEALTH CENTRE]

Islamabad, the 18th February, 2020

No. F. 1-1(Gen)MCH/Admin.—Mst. Shagufta Naz, Charge Nurse of MCH Centre is hereby granted 30 days leave with full pay with effect from 26th February, 2020 to 26th March, 2020. She will resume her duty on 27th March, 2020 on the same place.

No. PF. 7-49(RSM)MCH/Admin.—In continuation to this office notification of even number dated 23rd January, 2020, leave with full pay of Ms. Rubina Shaheen Malik, Charge Nurse of MCH Centre is here by extended for further period of 30 days with effect from 8th February, 2020 to 8th March, 2020.

Islamabad, the 19th February, 2020

No. PF. 7-40(ZK)MCH/Admin.—Ms. Zainab Khaton, Charge Nurse of MCH Centre is hereby granted 20 days leave with full pay with effect from 6th February, 2020 to 25th February, 2020. She will resume her duty on 26th February, 2020 on the same place.

HUMERA KHUSHNUD,
Chief Nursing Superintendent.

PAKISTAN METEOROLOGICAL DEPARTMENT

Islamabad, the 17th March, 2020

No. E-16(889)/4218.—Consequent upon his selection/appointment in Pakistan Civil Aviation Authority, Karachi as Assistant Director Electronic (EG-01) Mr. Subhash Chander. Electronic Engineer (BS-17) has relinquished charge of his post on 23rd January, 2020.

Islamabad, the 18th March, 2020

No. E-16(919)/4269.—Mr. Muhammad Naseeb, Superintendent (BS-16), Regional Meteorological Centre, Gilgit has relinquished the charge of his post on 13th March, 2020 on account of his retirement from Government Service with effect from 15th March, 2020 on attaining the age of superannuation with permission to prefix Saturday with effect from 14th March, 2020.

MUHAMMAD NISAR KHAN,
Superintendent (Estb.).

[REGIONAL METEOROLOGICAL CENTRE]

Lahore, the 18th March, 2020

No. A-3/22(199)/II/460.—Mr. Saleem Akhtar, Assistant Meteorologist (BS-16) Met. Office, Multan Airport has been granted 45 days L.F.P. from 17th January, 2020 to 1st March, 2020 subject to admissibility.

On expiry of leave, Mr. Saleem Akhtar, Assistant Meteorologist (BS-16), resumed his duty at the same station on 2nd March, 2020.

No. A-3/22(231)/15/486.—Mr. Tahir Ahmad, Assistant Meteorologist (BS-16) Regional Meteorological Centre, Lahore has been granted 30 days L.F.P. from 13th February, 2020 to 13th March, 2020, with permission to suffix Saturday & Sunday from 14th March, 2020 to 15th March, 2020, subject to admissibility.

On expiry of leave, Mr. Tahir Ahmad, Assistant Meteorologist (BS-16) resumed his duty at the same station on 16th March, 2020.

MUHAMMAD WAJID AMIN,
Meteorologist (Admin).

TRADE DEVELOPMENT AUTHORITY OF PAKISTAN

Karachi, the 19th March, 2020

No. TDAP.P(2366)/Estt-2020.—In pursuance of Ministry of Commerce, Government of Pakistan, Islamabad's Notification No. 5(1)/2017-DD(CTG), dated 19th February, 2020, Ms. Sidra Munaf, a BS-17 Officer of 26th Specialized Training Program (STP)/Commerce & Trade Group has assumed the charge of the post of Assistant Director (BS-17) at TDAP, Karachi on 2nd March, 2020.

The period with effect from 1st February, 2020 to 1st March, 2020 of the above officer is regularized for pay and allowances purpose.

No. TDAP.P(2367)/Estt-2020.—In pursuance of Ministry of Commerce, Government of Pakistan, Islamabad's Notification No. 5(1)/2017-DD(CTG), dated 19th February, 2020, Mr. Muhammad Ahmad Hassan, a BS-17 Officer of 26th Specialized Training Program (STP)/Commerce & Trade Group has assumed the charge of the post of Assistant Director (BS-17) at TDAP, Karachi on 2nd March, 2020.

The period with effect from 1st February, 2020 to 1st March, 2020 of the above officer is regularized for pay and allowances purpose.

No. TDAP.P(2368)/Estt-2020.—In pursuance of Ministry of Commerce, Government of Pakistan, Islamabad's Notification No. 5(1)/2017-DD(CTG), dated 19th February, 2020, Mr. Farrukh Humayun Nasim Cheema, a BS-17 Officer of 26th Specialized Training Program (STP)/Commerce & Trade Group has assumed the charge of the post of Assistant Director (BS-17) at TDAP, Karachi on 2nd March, 2020.

The period with effect from 1st February, 2020 to 1st March, 2020 of the above officer is regularized for pay and allowances purpose.

No. TDAP.P(2369)/Estt-2020.—In pursuance of Ministry of Commerce, Government of Pakistan, Islamabad's Notification No. 5(1)/2017-DD(CTG), dated 19th February, 2020, Ms. Sara Tassadaq, a BS-17 Officer of 26th Specialized Training Program (STP)/Commerce & Trade Group has assumed the charge of the post of Assistant Director (BS-17) at TDAP, Karachi on 2nd March, 2020.

The period with effect from 1st February, 2020 to 1st March, 2020 of the above officer is regularized for pay and allowances purpose.

No. TDAP.P(2370)/Estt-2020.—In pursuance of Ministry of Commerce, Government of Pakistan, Islamabad's Notification No. 5(1)/2017-DD(CTG), dated 19th February, 2020, Ms. Maryam Mumtaz, a BS-17 Officer of 26th Specialized Training Program (STP)/Commerce & Trade Group has assumed the charge of the post of Assistant Director (BS-17) at TDAP, Karachi on 2nd March, 2020.

The period with effect from 1st February, 2020 to 1st March, 2020 of the above officer is regularized for pay and allowances purpose.

No. TDAP.P(2371)/Estt-2020.—In pursuance of Ministry of Commerce, Government of Pakistan, Islamabad's Notification No. 5(1)/2017-DD(CTG), dated 19th February, 2020, Mr. Ali Yar Khan, a BS-17 Officer of 26th Specialized Training Program (STP)/Commerce & Trade Group has assumed the charge of the post of Assistant Director (BS-17) at TDAP, Karachi on 2nd March, 2020.

The period with effect from 1st February, 2020 to 1st March, 2020 of the above officer is regularized for pay and allowances purpose.

No. TDAP.P(2372)/Estt-2020.—In pursuance of Ministry of Commerce, Government of Pakistan, Islamabad's Notification No. 5(1)/2017-DD(CTG), dated 19th February,

2020, Ms. Saba Shehzadi, a BS-17 Officer of 26th Specialized Training Program (STP)/Commerce & Trade Group has assumed the charge of the post of Assistant Director (BS-17) at TDAP, Karachi on 2nd March, 2020.

2. The period with effect from 1st February, 2020 to 1st March, 2020 of the above officer is regularized for pay and allowances purpose.

No. TDAP.P(2373)/Estt-2020.—In pursuance of Ministry of Commerce, Government of Pakistan, Islamabad's Notification No. 5(1)/2017-DD(CTG), dated 19th February, 2020, Ms. Shukaiba Ghafoor, a BS-17 Officer of 26th Specialized Training Program (STP)/Commerce & Trade Group has assumed the charge of the post of Assistant Director (BS-17) at TDAP, Karachi on 2nd March, 2020.

The period with effect from 1st February, 2020 to 1st March, 2020 of the above officer is regularized for pay and allowances purpose.

No. TDAP.P(2374)/Estt-2020.—In pursuance of Ministry of Commerce, Government of Pakistan, Islamabad's Notification No. 5(1)/2017-DD(CTG), dated 19th February, 2020, Mr. Altaf Hussain, a BS-17 Officer of 26th Specialized Training Program (STP)/Commerce & Trade Group has assumed the charge of the post of Assistant Director (BS-17) at TDAP, Karachi on 2nd March, 2020.

2. The period with effect from 1st February, 2020 to 1st March, 2020 of the above officer is regularized for pay and allowances purpose.

No. TDAP.P(2376)/Estt-2020.—In pursuance of Ministry of Commerce, Government of Pakistan, Islamabad's Notification No. 5(1)/2017-DD(CTG), dated 19th February, 2020, Mr. Sheheryar Khan, a BS-17 Officer of 26th Specialized Training Program (STP)/Commerce & Trade Group has assumed the charge of the post of Assistant Director (BS-17) at TDAP, Karachi on 2nd March, 2020.

2. The period with effect from 1st February, 2020 to 1st March, 2020 of the above officer is regularized for pay and allowances purpose.

No. TDAP.P(2377)/Estt-2020.—In pursuance of Ministry of Commerce, Government of Pakistan, Islamabad's

Notification No. 5(1)/2017-DD(CTG), dated 19th February, 2020, Mr. Nazar Jan, a BS-17 Officer of 26th Specialized Training Program (STP)/Commerce & Trade Group has assumed the charge of the post of Assistant Director (BS-17) at TDAP, Karachi on 2nd March, 2020.

The period with effect from 1st February, 2020 to 1st March, 2020 of the above officer is regularized for pay and allowances purpose.

No. TDAP.P(2378)/Estt-2020.—In pursuance of Ministry of Commerce, Government of Pakistan, Islamabad's Notification No. 5(1)/2017-DD(CTG), dated 19th February, 2020, Mr. Abbas Ahmed Durrani, a BS-17 Officer of 26th Specialized Training Program (STP)/Commerce & Trade Group has assumed the charge of the post of Assistant Director (BS-17) at TDAP, Karachi on 2nd March, 2020.

2. The period with effect from 1st February, 2020 to 1st March, 2020 of the above officer is regularized for pay and allowances purpose.

No. TDAP.P(2379)/Estt-2020.—In pursuance of Ministry of Commerce, Government of Pakistan, Islamabad's Notification No. 5(1)/2017-DD(CTG), dated 19th February, 2020, Ms. Mahina Ghalib, a BS-17 Officer of 26th Specialized Training Program (STP)/Commerce & Trade Group has assumed the charge of the post of Assistant Director (BS-17) at TDAP, Karachi on 2nd March, 2020.

The period with effect from 1st February, 2020 to 1st March, 2020 of the above officer is regularized for pay and allowances purpose.

No. TDAP.P(2380)/Estt-2020.—In pursuance of Ministry of Commerce, Government of Pakistan, Islamabad's Notification No. 5(1)/2017-DD(CTG), dated 19th February, 2020, Mr. Ayaz Muhammad, a BS-17 Officer of 26th Specialized Training Program (STP)/Commerce & Trade Group has assumed the charge of the post of Assistant Director (BS-17) at TDAP, Karachi on 2nd March, 2020.

The period with effect from 1st February, 2020 to 1st March, 2020 of the above officer is regularized for pay and allowances purpose.

MUHAMMAD IMRAN ASHRAF,
Deputy Director (Estt-I).

GENERAL HEADQUARTERS FGEI (C/G) DIRECTORATE

(IGT & E's Branch)

Rawalpindi, the 4th March, 2020

No. 0409/Sen(19)/2020-FGEI (CM).—Final merged seniority lists of Principals (BPS-18) (Male/Female) as stood on 28th December, 2018 approved by Ministry of Defence.

FINAL MERGED SENIORITY LIST OF VICE PRINCIPALS (BPS-18) - MALE

S. No.	Name	Qualification	Direct/ Prom	Domicile	Date of Birth	Date of 1st Appt	Date of Prom/Appt in BPS-16	Date of Prom/Appt in BPS-17	Date of Prom/Appt in BPS-18	Date of Superannua- tion	Name of Present Institution	Remarks
1.	Mr. Kamran Rasheed	M.A. M. Ed.	Direct	Balochistan	25-09-78	20-03-00	20-03-00	20-03-09	30-03-11	24-09-38	F.G. Public School Gujranwala	
2.	Mr. Munir Ahmed	M. A, M. Ed.	Direct	KPK	13-06-77	01-11-07	-	01-11-07	18-05-11	12-06-37	F.G. Public School Abdul Hakeem	
3.	Mr. Ghulam Akbar	M. Phil M. Ed.	Direct	Punjab	15-02-76	15-11-03	03-10-09	01-02-11	18-05-11	14-02-36	F.G. FPS Base, Rafiqi, Shorkot	
4.	Mr. Tariq Ismail	MSc. M. Ed.	Direct	Punjab	14-02-61	12-12-85	12-09-90	-	17-05-11	13-02-21	F.G. PMS Boys Daryabad, Rawalpindi	
5.	Mr. Bakht Muhammad	M. Phil MA M. Ed.	Direct	FATA	23-11-74	03-10-07	-	03-10-07	18-05-11	22-11-34	F.G. Public School, Warsak	
6.	Mr. Shuaib Ahmed	MA, M. Ed.	Prom	Punjab	20-06-74	09-10-02	-	14-07-05	28-12-11	19-06-34	F.G. Public School, Okara	
7.	Mr. Muhammad Ashraf	MSc. M. Ed.	Prom	Sindh-U	17-04-73	09-02-04	09-02-04	01-01-08	18-01-12	16-04-33	F.G. Model Public School Mangla	
8.	Mr. Fazal Mannan	M. Sc. M. Ed.	Prom	KPK	02-03-70	16-04-02	16-04-02	01-01-08	18-01-12	01-03-30	F.G. Public Middle School BRC Abtd	
9.	Mr. Muhammad Sharif	MA, M. Ed.	Prom	Punjab	01-08-60	25-09-83	01-06-91	12-12-06	26-03-14	31-07-20	F.G. Public School No. 1(Boys) Wah	
10.	Mr. Inam-ur-Rehman	MA, BSc. M. Ed.	Prom	Sindh-R	02-11-81	30-06-08	-	30-06-08	26-03-14	01-11-41	F.G. Public School, Malir	

S. No.	Name	Qualification	Direct/ Prom	Domicile	Date of Birth	Date of 1st Appt	Date of Prom/Appt in BPS-16	Date of Prom/Appt in BPS-17	Date of Prom/Appt in BPS-18	Date of Superannua- -tion	Name of Present Institution	Remarks
11.	Mr. Abid Saeed	MA, BSc. B. Ed.	Prom	Punjab	10-07-61	17-12-85	01-06-91	05-11-09	26-03-14	09-07-21	F.G. JPS No. 2, Tariqabad, Rwp.	
12.	Mr. Ehsan Ullah Awan	MA, BSc. B. Ed.	Prom	Punjab	20-10-61	03-11-84	01-06-91	04-07-10	26-03-14	19-10-21	F.G. JPS No. 3 (II) Tariqabad Rwp.	
13.	Mr. Abdus Salam	MSc. M. Ed.	Prom	Sindh-U	01-11-74	07-08-06	16-08-07	25-01-11	26-03-14	31-10-34	F.G. Public School No. (Boys) Bannu	
14.	Mr. Muhammad Ashraf	MA B. Ed.	Prom	Punjab	20-11-77	28-05-05	28-05-05	18-07-11	26-03-14	19-11-37	F.G. Public School No. 5 (Boys) (II) Wah	
15.	Mr. Abdul Ghaffar	BSc. B. Ed.	Prom	Punjab	08-03-61	21-05-84	01-06-91	01-02-12	26-03-14	07-03-21	F.G. PS No. 2 (Boys) Ckl. Rwp.	
16.	Mr. Rasheed Ahmed Doger	MSc. B. Ed.	Prom	Punjab	01-03-61	14-04-85	01-06-91	01-02-12	26-03-14	28-02-21	F.G. PS No. 2 (Boys) (II) Multan	
17.	Mr. Muhammad Aziz-ur-Rehman	BSc. B. Ed.	Prom	Punjab	30-06-62	10-05-87	01-06-91	01-02-12	26-03-14	29-06-22	F.G. PS No. 1 (Boys) Ckl. Rwp.	
18.	Mr. Amir Shahzad	MA B. Ed.	Prom	Punjab	19-07-63	26-07-87	01-06-91	01-02-12	26-03-14	18-07-23	F.G. Fazaia PS PAF Base, Lahore	
19.	Mr. Iftikhar Ahmed	MSc. B. Ed.	Prom	Punjab	22-09-59	05-10-87	01-06-91	01-02-12	26-03-14	21-09-19	F.G. PS (Boys) Sher Shah Road Multan	
20.	Mr. Muhammad Tahir	MA M. Ed.	Prom	KPK	02-04-62	25-01-88	01-06-91	01-02-12	26-03-14	01-04-22	F.G. PS (Boys) Tariq Road, Peshawar	
21.	Mr. Mahmood Anwar	MA B. Ed. LLB	Prom	Punjab	15-11-62	20-02-88	01-06-91	01-02-12	26-03-14	14-11-22	F.G. PS (Boys) Piffer Abbottabad	
22.	Mr. Muhammad Yasin	MA BSc. B. Ed.	Prom	Punjab	01-05-61	19-03-88	01-06-91	01-02-12	26-03-14	30-04-21	F.G. MPS Amer Sidhu, Lahore	
23.	Mr. Iftikhar-Ul-Haq	MA BSc. B. Ed.	Prom	Punjab	01-04-63	04-06-88	01-06-91	01-02-12	26-03-14	31-03-23	F.G. PS (Boys) (II) Peshawar Rd, Rwp.	
24.	Mr. Saleem Ahmed	MSc. M. Ed.	Prom	Punjab	05-01-61	08-10-90	01-06-91	01-02-12	26-03-14	04-01-21	F.G. PS (Boys) Peshawar Rd, Rwp.	

S. No.	Name	Qualification	Direct/ Prom	Domicile	Date of Birth	Date of 1st Appt	Date of Prom/Appt in BPS-16	Date of Prom/Appt in BPS-17	Date of Prom/Appt in BPS-18	Date of Superannua- tion	Name of Present Institution	Remarks
25.	Mr. Muhammad Zahid	MA. B. Ed.	Prom	KPK	15-10-62	30-04-83	01-09-91	01-02-12	26-03-14	14-10-22	F.G. Sapper PS No. 2 (Boys) Risalpur	
26.	Mr. Abrar Hussain	MA M. Ed.	Prom	Punjab	23-03-60	11-04-88	01-09-91	01-02-12	26-03-14	22-03-20	F. G. Jnr. Public School Okara	
27.	Mr. Ali Ahmed Khan	MA M Ed.	Prom	Punjab	11-10-67	27-11-88	01-09-91	01-02-12	26-03-14	10-10-27	F.G. Junior PS Sher Shah Road, Multan	
28.	Mr. Muhammad Younis	MA M Ed.	Prom	Sindh-R	01-05-67	22-10-88	05-10-91	01-02-12	26-03-14	30-04-27	F.G. Public School, Manora	
29.	Mr. Masroor Ahmed	MA M. Phil B. Ed.	Direct	Punjab	07-07-73	21-10-14	-	-	21-10-14	06-07-33	F.G. Public School, Khuzdar	Seniority is determined as per
30.	Mr. Nasir Ali Mughal	MA B. Ed	Direct	Balochistan	09-08-78	24-10-14	-	-	24-10-14	08-08-38	F.G, Chiltan PNS, Quetta	
31.	Mr. Muhammad Qasim	MSc M. Ed M. Phil	Direct	Punjab	21-10-79	08-01-07	09-01-04	-	23-10-14	20-10-39	F.G. PS No. 4 (Boys) (2nd Shift) Wah	
32.	Mr. Muhammad Jan	MA B. Ed.	Direct	KPK	10-05-76	01-11-10	-	01-11-10	24-10-14	09-05-36	F.G. Public School, Batkela	
33.	Mr. Waqas Akram Qureshi	MSc. B. Ed.	Direct	Punjab	10-09-78	09-08-04	09-08-04	-	17-10-14	09-09-38	F.G. Fazaia PS MM Alam Base Mianwali	
34.	Mr. Muhammad Nadeem Khan	MA BSc. B. Ed	Direct	Punjab	01-09-67	08-10-96	-	01-01-11	23-10-14	31-08-27	F.G. Public School (Boys) Daryabad Rwp.	
35.	Mr. Muhammad Tariq Aziz	MA B. Ed.	Direct	Punjab	14-01-81	14-05-05	-	-	28-10-14	13-01-41	F.G. PS CAD Kirana, Sargodha	
36.	Mr. Muhammad Fiaz	MA M. Ed.	Direct	Punjab	04-08-76	19-10-09	-	06-09-10	21-10-14	03-08-36	F.G. Public School, PAC Kamra	
37.	Mr. Naseer Jan	MSc. M. Ed.	Direct	KPK	12-02-64	30-06-92	28-08-95	01-10-11	22-10-14	11-02-24	F.G. Public School (II) Morgah, Rwp.	
38.	Mr. Hidayat Ali Shah	MA M. Ed.	Direct	Sindh-U	03-05-74	09-02-04	09-02-04	19-01-11	24-10-14	02-05-34	F.G. Junior Public School No. 3 Chkl. Rwp.	
39.	Mr. Muhammad Arshad Khokhar	MBA B. Ed.	Direct	Sindh-U	18-02-76	23-10-14	-	-	23-10-14	17-02-36	F.G. Public School, Karachi	

S. No.	Name	Qualification	Direct/ Prom	Domicile	Date of Birth	Date of 1st Appt	Date of Prom/Appt in BPS-16	Date of Prom/Appt in BPS-17	Date of Prom/Appt in BPS-18	Date of Superannua- -tion	Name of Present Institution	Remarks
40.	Mr. Abdul Sattar	MA M Ed.	Direct	Punjab	10-05-74	15-01-15	-	-	15-01-15	09-05-34	F.G. SMHS (NH) JPS Multan	
41.	Mr. Tahir Ali	MA M. Ed.	Direct	KPK	14-05-71	03-12-90	-	06-01-11	05-01-15	13-05-31	F.G. PS No. 1 (Boys) Nowshera	
42.	Mr. Gul Amin Khan	MA MS (Edn)	Direct	KPK	15-04-77	23-06-97	-	-	06-01-15	14-04-37	F.G. Public Middle School No. 3 Nowshera	
43.	Mr. Mukhtar Ahmad	M. Phil B. Ed.	Prom	Punjab	11-11-75	11-08-99	11-08-99	-	16-02-15	10-11-31	F.G. Public School New Cantt. Sargodha	
44.	Dr. Zulfiqar Ahmad	P. HD M, Phil M. Ed.	Prom	AJK	20-02-79	12-04-01	12-04-01	-	12-01-15	19-02-39	F.G. Public School No. 3 (Boys) (II) Wah	
45.	Mr. Tanveer Hassan Khan	MA M. Ed.	Direct	Sindh-U	04-11-63	19-04-88	05-03-94	01-01-11	12-01-15	03-11-23	F.G. Junior Public School, Pano Aqil	
46.	Mr. Iftikhar Ahmed	M. Phil M. Ed.	Direct	Punjab	10-06-75	25-02-97	01-11-05	12-07-14	21-10-14	09-06-35	F.G. Public School Barian Camp Murree	
47.	Mr. Ghulam Yasin	MA M. Ed.	Direct	Sindh-R	01-02-84	18-02-15	-	-	18-02-15	31-01-44	F.G. Public School No. 1 (Boys) Pano Aqil	
48.	Mr. Zahid Hussain Javaid	M Phil MA M. Ed.	Direct	Punjab	23-04-75	08-08-09	08-08-09	-	24-04-15	22-04-35	F.G. Public Middle School, Shorkot	
49.	Mr. Abdul Saboor Mangla	M. Phil MA(Edn)	Direct	Punjab	21-04-76	02-09-02	02-09-02	01-02-14	15-05-15	20-04-36	F.G. PS No. 1 Trust Colony Bahawalpur	
50.	Mr. Muhammad Idrees Durrani	M. Phil MA(Edn)	Direct	Punjab	04-02-78	03-09-01	28-10-10	01-01-11	01-07-15	03-02-38	F.G. Jnr Public School No. 5 (II) Wah	
51.	Mr. Taj Younas Khan	MA M. Ed.	Direct	KPK	11-02-77	01-01-11	01-01-11	-	08-10-15	10-02-37	F.G. PS No. 2 (Boys) Kohat	
52.	Mr. Muhammad Irfan Khan	MA M. Ed.	Prom	Punjab	26-07-75	04-02-06	-	11-02-11	12-02-16	25-07-35	F.G. PS No. 1(Boys) Tariqabad Rwp.	
53.	Mr. Babar Khan	MSc B Ed SAS	Prom	KPK	09-08-77	11-02-11	-	11-02-11	12-02-16	08-08-37	F.G. PMS Sikandarabad, Abtd.	
54.	Mr. Imran Ghani	MA M. Ed	Prom	AJK	12-04-77	08-03-05	-	11-02-11	12-02-16	11-04-37	F.G. Jnr PS Gharial Camp. Murree	

S. No.	Name	Qualification	Direct/ Prom	Domicile	Date of Birth	Date of 1st Appt	Date of Prom/Appt in BPS-16	Date of Prom/Appt in BPS-17	Date of Prom/Appt in BPS-18	Date of Superannua- tion	Name of Present Institution	Remarks
55.	Mr. Sajjad Hussain	MSc, B Ed	Prom	Punjab	12-04-59	01-12-85	01-06-91	01-02-12	12-02-16	11-04-19	F.G. PS No. 2 (Boys) Sialkot	
56.	Mr. Muhammad Anwar	MA B Ed	Prom	Punjab	09-04-62	25-09-86	01-06-91	01-02-12	12-02-16	08-04-22	F.G. PS No. 3 (2nd Shift) Ckl. Rwp.	
57.	Mr. Muhammad Riaz	MA B Ed.	Prom	KPK	05-11-59	16-12-87	01-06-91	01-02-12	12-02-16	04-11-19	F.G. PS No. 2 (Boys) (II) Wah	
58.	Mr. Ghulam Farid	MSc M Ed	Prom	Punjab	15-03-64	17-09-88	01-06-91	01-02-12	12-02-16	14-03-24	F.G. JPS Gudwal Wah	
59.	Mr. Muhammad Arif	MA BSc M Ed	Prom	Sindh-R	01-05-65	04-01-89	01-06-91	01-02-12	12-02-16	30-04-25	F.G. Jnr Public School Badin	
60.	Mr. Mansoor Nasir Khan	MA, B. Ed	Prom	Punjab	29-10-59	06-05-82	01-09-91	01-02-12	12-02-16	28-10-19	F.G. JPS No. 7 (II) RA Bazar, Lahore	
61.	Mr. Muhammad Zulfiqar Ali Shah	MA M Ed	Prom	KPK	01-01-65	01-03-90	02-01-93	01-02-12	12-02-16	31-12-24	F.G. PS (Boys) (II) Nai Chawni, Rwp.	
62.	Syed Ali Hyder Naqvi	MA BSc M. Ed	Prom	Sindh-U	01-01-60	16-11-86	02-02-93	01-02-12	12-02-16	31-12-19	F.G. Middle S. Kharian Cantt.	
63.	Mr. Shoukat Fahim Ahmed	BSc M. Ed.	Prom	Punjab	15-01-63	09-09-87	05-11-93	01-02-12	12-02-16	14-01-23	F.G. PS (II), Mehfooz Road, Rwp.	
64.	Mr. Khalid Mehmood	MA B. Ed.	Prom	AJK	23-03-61	01-04-87	02-12-93	01-02-12	12-02-16	22-03-21	F.G. Public School, Kotli	
65.	Mr. Muhammad Rafiq	MA M. Ed.	Prom	Punjab	10-07-67	23-10-88	02-12-93	01-02-12	12-02-16	09-07-27	F.G. PS No. 2 (Boys) Lahore	
66.	Mr. Tauqeer Hussain	BSc B. Ed	Prom	Punjab	19-11-65	10-05-90	02-12-93	01-02-12	12-02-16	18-11-25	F.G. PS Mehfooz Road, Rwp.	
67.	Mr. Muhammad Abdullah	MA M. Ed.	Prom	Punjab	19-06-67	18-08-90	02-12-93	01-02-12	12-02-16	18-06-27	F.G. Jnr PS Chaman Road, Quetta	
68.	Mr. Tahir Mehmood	BSc B. Ed.	Prom	Punjab	07-06-61	08-03-90	14-12-93	01-02-12	12-02-16	06-06-21	F.G. JPS No. 2 (2nd Shift) Gujranwala	
69.	Mr. Nadeem Siddiqui	MA B. Ed.	Prom	KPK	01-04-61	18-03-82	20-12-93	01-02-12	12-02-16	31-03-21	F.G. PMS. O.C. Malir Karachi	

FINAL MERGED SENIORITY LIST OF VICE PRINCIPALS (BPS-18) - FEMALE

S. No.	Name	Qualification	Direct/ Prom	Domicile	Date of Birth	Date of 1st Appt	BPS-16	BPS-17	BPS-18	Date of Superannua- -tion	Name of Institution	Remarks
1.	Miss Shaista Anjum	MSc M. Ed.	Direct	Punjab	09-04-71	12-05-11	-	-	12-05-11	08-04-31	F.G. PS (Girls) Attock	
2.	Mrs. Rukhsana Talib	MSc M Ed	Direct	Punjab	17-08-66	10-11-05	-	-	31-05-11	16-08-26	F.G. PS (Girls) Ch. Iqbal Road, Rwp.	
3.	Mrs. Abida Khanum	MSc M Ed	Direct	GB	20-01-77	24-05-11	-	-	24-05-11	19-01-37	F.G. Junior PS Mehfooz Road Rwp.	
4.	Miss Fozia Naveed	MSc M Ed	Direct	Sindh-R	22-05-69	06-02-2006*	-	-	01-06-11	21-05-29	F.G. Junior PS Mehfooz Road Rwp.	
5.	Mrs. Adeela Sattar	M. Phil MA Ed	Prom	Punjab	22-06-78	21-07-05	-	21-07-05	21-06-38	21-06-38	F.G. Sir Syed Jnr PS (Girls) Rwp.	
6.	Syeda Zohra Jabeen	MSc B. Ed	Prom	Punjab	08-03-79	14-03-08	-	14-03-08	18-01-12	07-03-39	F.G. PS No. 1 (Girls) Ckl, Rwp.	
7.	Miss Rozina Khuwaja	M. Com B. Ed	Prom	Sindh-R	22-02-77	26-12-07	-	26-12-07	18-01-12	21-02-37	P.G. PS (Girls) Hyerabad	
8.	Mrs. Kishwar Iqbal	MSc MA Edn	Prom	GB	17-11-78	31-12-07	-	31-12-07	18-01-12	16-11-36	F.G. PMS, W.L Ckl, Rwp.	
9.	Syeda Shaheen Afzal	MSc M. Ed LLB	Prom	Bal	01-06-77	26-12-07	-	26-12-07	18-01-12	31-05-37	P.G. PS (Girls) Aziz Bhatti Road, Quetta.	
10.	Mrs. Shazia Gulzar	MA, M. Ed, M.Phill	Prom	Punjab	24-10-74	02-05-00	16-06-07	12-07-08	18-01-12	23-10-34	F.G. PS (Girsl) Multan	
11.	Mrs. Bushra Arif	MSc B. Ed	Prom	Punjab	18-06-81	24-07-08	-	24-07-08	18-01-12	17-06-41	F.G. Junior PS No. 4(G/L) Ckl. Rwp.	
12.	Mrs. Samina Azeem	BSc, M Ed	Prom	Punjab	01-09-60	16-08-83	01-06-91	01-02-12	26-03-14	31-08-20	F.G. JPS No. 1 (II) Mazhar Line, Lhr.	

S. No.	Name	Qualification	Direct/ Prom	Domicile	Date of Birth	Date of 1st Appt	BPS-16	BPS-17	BPS-18	Date of Superannua- -tion	Name of Present Institution	Remarks
13.	Mrs. Samina Abid	BSc B Ed	Prom	Punjab	01-11-63	22-04-84	01-06-91	01-02-12	26-03-14	31-10-23	F.G. Jnr PS No. 5, Wah	
14.	Mrs. Ghulam Fatima	M. Sc B. Ed	Prom	Punjab	01-09-62	08-09-85	01-06-91	01-02-12	26-03-14	31-08-22	F.G. Sir Syed PS (Girls) Rwp.	
15.	Mrs. Rizwana Latif	BSc B Ed	Prom	Punjab	04-04-63	22-10-85	01-06-91	01-02-12	26-03-14	03-04-23	F.G. Jnr PS Kashmir Road, Rwp.	
16.	Dr. Zakia Khatoon	MA M Ed, Ph.D	Prom	Punjab	01-12-62	26-12-85	01-06-91	01-02-14	26-03-14	30-11-22	F.G. Jnr PS, Abid Majid Road, Rwp.	
17.	Mrs. Aroona Khalid	BSc M Ed PGD	Prom	Punjab	03-05-62	09-09-86	01-06-91	01-12-12	26-03-14	02-05-22	F.G. PS No. 5 (Girls) Wah	
18.	Miss Mahira Khanum	BA B Ed	Prom	Punjab	14-08-61	13-09-86	01-06-91	01-12-12	26-03-14	13-08-21	F.G. Jnr PS No. 3 (2nd Shift) Wah	
19.	Mrs. Zubaida Begum	BA B Ed	Prom	Punjab	10-01-62	13-09-86	01-06-91	01-12-12	26-03-14	09-01-22	F.G. Jnr PS (II) Ch. Iqbal Road, Rwp.	
20.	Mrs. Anjum Bakhtiar Rahat	MA B Ed	Prom	Punjab	13-02-62	13-09-86	01-06-91	01-02-12	26-03-14	12-02-22	F.G. PS (Girls) Stadium Road Peshawar	
21.	Mrs. Ghazala Yasmin	MA B Ed	Prom	AJK	11-10-67	01-01-87	01-06-91	01-12-12	26-03-14	10-10-27	F.G. PS No. 3 (Boys) Ckl, Rwp.	
22.	Mrs. Bibi Nayyar	MSc M Ed	Prom	KPK	22-12-63	28-09-87	01-06-91	01-12-12	26-03-14	21-12-23	F.G. Jnr PS (B.L) Ckl, Rwp	
23.	Mrs. Gul Nargis	MSc M Ed	Prom	KPK	23-03-61	09-12-87	01-06-91	01-12-12	26-03-14	22-03-21	F.G. JAS PS PMA Kakul Abbottabad	
24.	Mrs. Ambreen Kiani	M A BSc B Ed	Prom	Punjab	25-06-64	31-12-87	01-06-91	01-12-12	26-03-14	24-06-24	F.G. PS (Girls) Jhelum Cantt.	
25.	Mrs. Farkhanda Mussarat	MSc M Ed	Prom	AJK	20-02-61	13-10-90	08-07-91	01-12-12	26-03-14	19-02-21	F.G. Ashiq Hussain PS, Bhimber	

S. No.	Name	Qualification	Direct/ Prom	Domicile	Date of Birth	Date of 1st Appt	BPS-16	BPS-17	BPS-18	Date of Superannua- tion	Name of Institution	Remarks
26.	Mrs. Sumbal Parveen	MA M Ed	Direct	KPK	16-01-74	04-12-14	-	-	04-12-14	15-01-34	F.G. PS No. 2 (Girls) Nowshera	
27.	Mrs. Fouzia Bano	M.Phil MA M Ed	Direct	Punjab	22-04-77	03-01-11	-	03-01-11	02-12-14	21-04-37	F.G. PMS II, Walton Road Lahore	
28.	Mrs. Qurat-ul-Ain	MSc M Ed M. Phil	Direct	KPK	10-08-80	08-12-14	-	-	08-12-14	09-08-40	F.G. JPS No. 4 Khyber Road Peshawar	
29.	Mrs. Noureen Khanum	MA B Ed	Direct	Punjab	30-06-77	09-12-14	-	-	09-12-14	29-06-37	F.G. Jnr PS, Mangla	
30.	Mrs. Mehnoor Anjum	MA B Ed	Direct	Punjab	10-12-76	15-12-14	-	-	15-12-14	09-12-36	F.G. Jnr PS (II) Mehfooz Road Rwp.	
31.	Mrs. Humaira Muzammil	M. Phil MA M Ed	Direct	Punjab	12-05-81	09-12-14	-	-	09-12-14	11-05-41	F.G. PS No. 1 (Girsl) Sialkot	
32.	Mrs. Nourin Javaid	MA M Ed	Direct	Punjab	06-01-79	26-12-14	-	-	26-12-14	05-01-39	F.G. Junior PS, Lalazar, Rwp.	
33.	Mrs. Aasia Iltaf	MA M Ed	Direct	Punjab	16-08-84	28-10-2005*	-	29-10-10	05-12-14	15-08-44	F.G. Junior PS No. 10, Wah	
34.	Mrs. Tayyaba Razzaq	MSc, M. Phil, M Ed	Direct	Punjab	07-07-79	24-01-12	-	24-01-12	11-12-14	06-07-39	F.G. PMS Chamanabad, Rwp.	
35.	Syeda Abida	MSc M Ed	Direct	KPK	11-12-81	01-12-10	01-12-10	1-01-11	19-12-14	10-12-41	F.G. Model PS (2nd Shift) Wah	
36.	Dr. Shabana Maqsood	Ph. D.M. Phil M Ed	Direct	Punjab	30-04-73	13-06-05	-	-	14-01-15	29-04-33	F.G. Jinnah JPS No. 2 G/L Ckl. Rwp.	
37.	Mrs. Asma Ibrahim	MA B Ed	Direct	Punjab	29-03-79	09-06-2005*	03-01-11	10-07-14	08-01-15	28-03-39	F.G. Fazaia PS (II) J/C Ckl, Rwp.	
38.	Mrs. Fauzia Javed	MA M Ed	Direct	Punjab	28-08-74	05-01-15	-	-	05-01-15	27-08-34	F.G. PMS (Boys) Shami Road, Lahore	
39.	Mrs. Asifa Iqbal	MSc M. Ed.	Direct	Punjab	02-02-78	19-10-2009*	-	-	02-01-15	01-02-38	F.G. PS (Girls) KARF Colony, Kamra	

S. No.	Name	Qualification	Direct/ Prom	Domicile	Date of Birth	Date of 1st Appt	BPS-16	BPS-17	BPS-18	Date of Superannuation	Name of Institution	Remarks
40.	Mrs. Amna Bashir	MA M. Ed	Direct	Punjab	06-11-74	26-11-05	26-11-05	-	02-01-15	05-11-34	F.G. Junior PS Attock	
41.	Mrs. Taiba Karim	M. Phil MA B. Ed	Direct	GB	08-08-73	12-01-15	-	-	12-01-15	07-08-33	F.G. Public Middle School No. 12 Wah	
42.	Mrs. Javeria Rauf	MA M. Ed	Direct	KPK	02-11-73	05-01-15	-	-	05-01-15	01-11-33	F.G. Junior PS No.5 Peshawar	
43.	Mrs. Zaiwar Jan	MA Edn	Direct	Baluchistan	10-03-82	13-01-15	-	-	13-01-15	09-03-42	F.G. PS Karachi	
44.	Mrs. Sajida Bibi	MSc M Ed	Direct	Sindh-R	24-02-79	04-08-11	-	-	13-01-15	23-02-39	F.G. PMS (Girls) Drigh Road, Karachi	
45.	Mrs. Najma	MSc B Ed	Direct	Sindh-U	30-12-75	18-03-05	18-03-05	-	11-03-15	29-12-35	F.G. PS (Girls) Daryabad, Rwp.	
46.	Miss Noshaba Safdar	M. Phil (Edn) M Ed	Direct	Punjab	24-03-75	05-06-2006*	-	05-06-06	21-04-15	23-03-35	F.G. JPS (2nd Shift) Misrial Road, Rwp.	
47.	Ms. Shabana Hameed Syed	MSc M. Ed	Direct	Punjab	19-03-73	30-04-15	-	-	30-04-15	18-03-33	F.G. PS (Girls) (II) GL, Ckl, Rwp.	
48.	Mrs. Shazia Khanum	MA M Ed	Direct	Punjab	25-04-83	15-08-2007*	-	01-01-11	03-07-15	24-04-43	F.G. PS, Murree	
49.	Mrs. Saima Tahir	MBA, M A B Ed	Prom	Sindh-U	06-03-80	19-10-10	-	19-10-10	12-02-16	05-03-40	F.G. PMS Dhoke Gujran, Rwp.	
50.	Mrs. Rubina Khalid	MSc M Ed	Prom	AJK	10-07-80	25-01-11	-	25-01-11	12-02-16	09-07-40	F.G. PS No. 1 (Girls) RA Bazar Lahore	
51.	Mrs. Fehmida Parveen	BSc M Ed	Prom	Punjab	19-03-65	29-10-86	01-06-91	01-02-12	12-02-16	18-03-25	F.G. PS No. 5 (Girls) Wah	
52.	Syeda Rahat Rizvi	BSc B Ed	Prom	Punjab	13-12-63	27-01-87	01-06-91	01-02-12	12-02-16	12-12-23	F.G. Sir Syed JPS II, Rwp.	

S. No.	Name	Qualification	Direct/ Prom	Domicile	Date of Birth	Date of 1st Appt	BPS-16	BPS-17	BPS-18	Date of Superannua- -tion	Name of Institution	Remarks
53.	Mrs. Saba Asif	BA B Ed	Prom	Punjab	14-08-64	01-11-88	01-06-91	01-02-12	12-02-16	13-08-24	F.G. Junior PS No. 10 (II) Wah	
54.	Ms Rahat-Un-Nisa	MA B Ed	Prom	AK	15-09-62	01-01-87	15-08-92	01-02-12	12-02-16	14-09-22	F.G. PS, Bagh	
55.	Mrs. Zeenat	MBA M. Phil M Ed	Direct	Sindh-U	08-05-77	01-08-2008*	-	-	24-05-16	07-05-37	F.G. Fazaia PS Masroor Base Karachi	
56.	Mrs. Shazia Kalsoom	MSc B Ed	Direct	Sindh-R	30-05-83	-	-	01-01-11	28-04-17	29-05-43	F. G. Quaid-e-Azam PS, Ckl, Rwp.	
57.	Ms Samreen	M. Phil M Ed	Direct	Sindh-R	01-02-83	10-08-17	-	-	10-08-17	31-01-43	F. G. PS, Malir	
58.	Ms Shafqat Naz	MSc M Ed	Direct	KPK	29-10-83	29-01-15	-	-	21-12-17	28-10-43	F. G. Public Middle School, Peshawar	
59.	Ms Zahra Hashim	MBA M Ed	Direct	Bal	16-10-87	20-12-17	-	-	20-12-17	15-10-47	F.G. Jnr PS, Kachmore, Quetta	
60.	Mrs. Humaira Gulfam	MA B Ed	Direct	Sindh-R	20-12-83	27-12-17	-	-	27-12-17	19-12-43	F. G. PMS School No. 12 (II) Wah	
61.	Mrs. Misbah Naz	MA M Ed	Direct	Sindh-U	10-02-86	26-12-17	-	-	26-12-17	09-02-46	F. G, PS, Hyderabad	
62.	Mrs. Arifa Batool	M. Phil B Ed	Direct	AJK	01-05-76	12-01-18	-	-	12-01-18	30-04-36	F. G. PMS School Model Colony Kcl.	
63.	Ms Nuzhat Afshan	MA M Ed	Direct	Sindh-U	16-05-80	17-02-2004*	-	-	12-03-18	15-05-40	F. G. Minwala PS, (Girls), Karachi	
64.	Ms Nargis Mushtaque	MA M Ed	Direct	Sindh-R	31-12-88	27-12-17	-	-	27-12-17	30-12-48	F. G. PS (Girls), Bahawalpur	
65.	Ms Saima	BS M Ed	Direct	Sindh-R	26-11-85	31-07-18	-	-	31-07-18	25-11-45	F. G. PS (Girls), Tariqabad, Rwp.	

WAQAS ASHRAF, *Maj*,
For Director General.



PUBLISHED BY AUTHORITY

KARACHI, WEDNESDAY, JULY 8, 2020

PART IV

Notifications issued by the minor administrations and miscellaneous notifications not included in any other part

ISLAMABAD CAPITAL TERRITORY, CO-OPERATIVES
DEPARTMENT

A. Composition

Islamabad, the 8th June, 2020

No. 2103/CR/ICT/B.—In exercise of powers vested under section 54 of Cooperative Societies Act, 1925 read with Rule 33 of Cooperative Societies Rules, 1927, the HVC Deputy Commissioners Office ICT, Islamabad is appointed as Registrar's nominee to decide the Case within 60 days titled as "Ms. Rubina Afzal W/o. Effan Yunus R/o. House No. 200, Block-B, Satellite Town, Rawalpindi VS Federal Employees Cooperative Housing Society, Islamabad" in accordance with the requirements of Rules 33 of Cooperative Societies Rules, 1927. The fee of the nominee is fixed as Rupees 20,000/- both the parties had to pay Rs. 10,000/- each. If the case is not decided within stipulated period the deposited fee shall be refunded to the both parties.

2. By orders of the Deputy Commissioner / Registrar Cooperative Societies, ICT, Islamabad.

ASGHAR KHAN NIAZI,
Circle Registrar,
Cooperative Societies Department.

Additional Secretary (AS), MNFSR	Chairman
Senior Joint Secretary (SJS), MNFSR.	Member
Food Security Commissioner-I, MNFSR.	Member
Food Security Commissioner-II, MNFSR.	Member
Director General, Department of Plant Protection.	Member / Secretary
Representative of Wheat Importers Association	Member

B. Terms of References (TORs) :

1. To evaluate the process of Import Permit Issuance.
2. To monitor the quantity and quality of wheat to be imported in the country.
3. Responsible to ensure daily submission of import progress from DPP.
4. Monitor import progress of DPP over the sea port.
5. Responsible to identify the gap within the performance of the DPP.
6. To stream-line the task of import of wheat and its coordination of information among stakeholders like Ministry of Commerce, FBR, SBP, etc.

MINISTRY OF NATIONAL FOOD SECURITY AND
RESEARCH

Islamabad, the 24th June, 2020

No. F. 1-3/2019-DFSC-II/Wheat Import.—The Competent Authority is pleased to constitute a Monitoring Committee in pursuance of decisions of the Economic Coordination Committee (ECC) of the Cabinet in order to look after issues pertaining to the import of wheat within the country with the following Composition and TOR's :

MUHAMMAD SALEEM,
Deputy Secretary (Food Security).

MINISTRY OF PLANNING, DEVELOPMENT AND
SPECIAL INITIATIVES

[PLANNING COMMISSION]

Islamabad, the 29th May, 2020

No. 5(12)CP/HRM-IV/PD&SI/2019.—The composition of the Advisory Committee of Planning Commission / Ministry of Planning, Development and Special Initiatives constituted *vide* this Ministry's Notification No. 1(148)G/PC-13(Part), dated 8th October, 2013 is revised as under :

A. Composition :

Chairman:

- i. Minister for Planning, Development and Special Initiatives.

Members :

- ii. Deputy Chairman, Planning Commission.
- iii. Dr. Abid Qaiyum Suleri, Executive Director, SDPI.
- iv. Dr. Naved Hamid, Professor, Lahore School of Economics.
- v. Syed Ahmed, Chairman, Pakistan Software Houses Association.
- vi. Mr. Khalid Mansoor, CEO, HUBCO.
- vii. Mr. Afaq Tiwana, Director, Agrimall.
- viii. Mr. Ehsan Saya, MD, Daraaz.
- ix. Dr. Shakeel Khan, Principal Investment Operations Specialist, Asian Infrastructure Investment Bank.
- x. Dr. Adnan Khan, Chief Knowledge Officer, Research and Development Solutions.

Member / Secretary :

- xi. Secretary, Ministry of Planning, Development and Special Initiatives.

B. Terms of Reference :

- i. To work as a strategic think tank on policy issues of Planning Commission / Ministry of Planning, Development and Special Initiatives.
 - ii. To promote public and private sector interface and develop participatory approach in decision making.
 - iii. To guide Planning Commission / Ministry of Planning, Development and Special Initiatives in policy formulation and implementation.
 - iv. To generate and build consensus on policies and strategies of the Planning Commission / Ministry of Planning, Development and Special Initiatives.
 - v. To provide input and feedback from non-government stakeholders to the policies / performance of the Planning Commission / Ministry of Planning, Development and Special Initiatives.
2. The Chairman of the Advisory Committee is authorized to co-opt additional member (s).
 3. The Committee shall meet at least once in each quarter. The Members of Committee shall work without remuneration. However, their travel and lodging costs for attending meetings shall be paid if so requested.

SAEED AHMED RAHOOJO,
Section Officer.

The Gazette of Pakistan



PUBLISHED BY AUTHORITY

KARACHI, WEDNESDAY, JULY 8, 2020

PART V

Notifications, etc., issued by The Patent Office

NEW APPLICATIONS FOR THE PATENTS

The dates shown in the crescent brackets are the dates claimed under section 86 of the Patents Ordinance 2000.

11th September, 2019

- 608/2019 Mr. Javid Khan, Pakistan.—“Use of Capacitor to enhance Efficiency of Electrical Appliances”.
- 609/2019 Mr. Javid Khan, Pakistan.—“Improving Compressor of Air-conditioners/Refrigerators”.
- 610/2019 Coloreel Group AB, Sweden (Priority 15th September, 2018, SE).—“A TREATMENT UNIT FOR IN-LINE TREATMENT OF THREAD”.
- 611/2019 Coloreel Group AB, Sweden (Priority 15th September, 2018, SE).—“A METHOD AND A TREATMENT UNIT FOR IN-LINE TREATMENT OF THREAD”.
- 612/2019 FMC Corporation, U.S.A (Priority 12th September, 2018 US).—“ISOXAZOLINE COMPOUNDS FOR CONTROLLING INVERTEBRATE PESTS”.
- 613/2019 Coloreel Group AB, Sweden (Priority 15th September, 2018, SE).—“A TREATMENT UNIT FOR IN-LINE TREATMENT OF THREAD”.
- 614/2019 Coloreel Group AB, Sweden (Priority 15th September, 2018, SE).—“SYSTEM FOR IN-LINE TREATMENT OF THREAD”.
- 615/2019 National University of Sciences and Technology, Pakistan.—“AP/HTPB based Composite Solid Propellant Base Bleed Grain 155 mm Enhanced Range Base Bleed (ERBB) Artillery Projectile”.

616/2019

Muhammad Qasim; Dr. Nauman Razzaq; Dr. Hamid Jabbar; Huzaifa Rehman; Muhammad Umair; Okasha Mahmood and Hafiz Talha Khurram, Pakistan.—“Digitization of Monoscopic Viewing System”.

12th September, 2019

617/2019

OCP SA, Morocco (Priority 12th September, 2018, FR).—“METHOD FOR MANUFACTURING ZINC HYDROGENPHOSPHATE HYDRATE”.

618/2019

Syngenta Participations AG, Switzerland (Priority 1st February, 2018, EP).—“PESTICIDALLY ACTIVE AZOLE-AMIDE COMPOUNDS”.

619/2019

Syngenta Participations AG, Switzerland (Priority 13th September, 2018, EP).—“PESTICIDALLY ACTIVE AZOLE-AMIDE COMPOUNDS”.

620/2019

PPG INDUSTRIES OHIO, INC., U.S.A (Priority 14th September, 2018, US).—“METHOD FOR TREATING A MICRO-POROUS MEMBRANE”.

621/2019

Juul Labs, Inc., U.S.A. (Priority 12th September, 2018, US).—“Vaporizer Including Positive Temperature Coefficient of Resistivity (PTCR) Heating Element”.

622/2019

Candiani S.p.A., Italy. (Priority 25th October, 2018, IT).—“A Method for Making an Elasticised Yarn and Fabric Manufacturing From Said Yarn”.

13th September, 2019

623/2019

ABU DHABI QUALITY & CONFORMITY COUNCIL. U.Arab Emirates.—“SYSTEM AND METHOD FOR DETECTING THE PRESENCE OF ADULTRATION IN A SAMPLE OF HONEY”.

624/2019 SSM Scharer Schweiter Mettler AG, Switzerland (Priority 18th September, 2018, CH).—"TUBE HOLDER FOR A BOBBIN FRAME OF A WINDING DEVICE".

14327

625/2019 SSM Scharer Schweiter Mettler AG, Switzerland (Priority 18th September, 2018, CH).—"METHOD AND DEVICE FOR SWIVELING A BOBBIN IN A WINDING DEVICE".

APPLICATION ACCEPTED

Notice is hereby given that the person interested in opposing the grant of Patents to any of the applications referred to below at any time within four months from the date of this Patents' journal may give notice at the Patent Office on the prescribed Form P-7 of the Patents Rules 18(1) of 2003.

The six figures number shown in the right hand side are those given to applications on acceptance of the complete specification under which the specification will be printed and subsequent proceeding taken.

The figures shown within square brackets after the title of inventions indicate their classification index at acceptance.

Typed copies of the specification which are to open to public inspection can be supplied by the Patent Office on payment of the prescribed charges which may be ascertained on application to the office.

28/2000 Bayer Corporation, U.S.A.—"SUBSTITUTED ARYL UREA COMPOUND AND THEIR COMPOSITION".

C07C275/30 & C07D211/78.

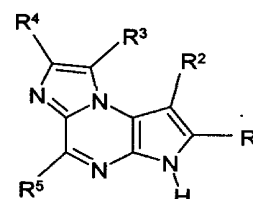
143270

The present invention provides compound generally describe as aryl urea, including both aryl and heteroaryl analogue, which inhibits the raf kinase pathway. The invention is directed to compound which inhibits the enzyme raf kinase and also compound and composition for the treatment of cancerous cell growth mediated by raf kinase.

990/2010 Abb Vie Inc., U.S.A.—"SUBSTITUTED (3H-IMIDAZO[1,2-A]PYRROLO[2,3-E]PYRAZIN-8-YL) COMPOUND".

A01N43/42.

The invention provides compounds of Formula (Ic)



Formula (Ic)

pro-drugs, biologically active metabolites, stereoisomers and isomers thereof wherein the variable are defined herein. The compounds of the invention are useful for treating immunological and oncological conditions.

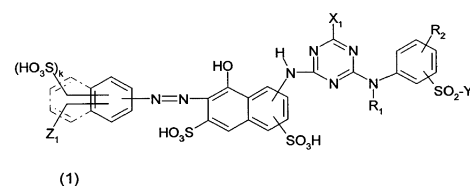
93/2011

Huntsman Advanced Materials (Switzerland) GmbH, Switzerland.—"Mixture of fibre-reactive dyes and their use in a method for di-or trichromatic dyeing or printing".

D06P1/38, D06P3/66, C09B62/513 & C09B67/22.

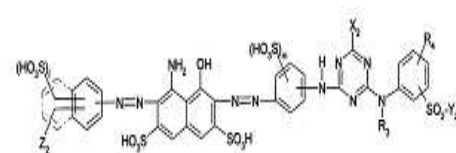
143272

Dye mixture, comprising at least one red dyeing dye of the formula

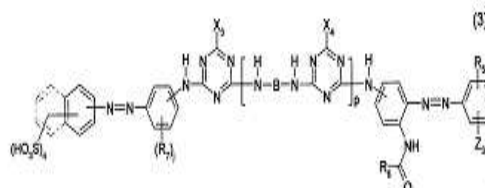


(1)

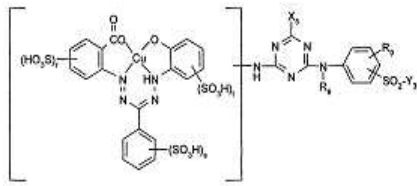
and at least one blue, yellow, orange or brown dyeing dye from the group of the formulae as annexed



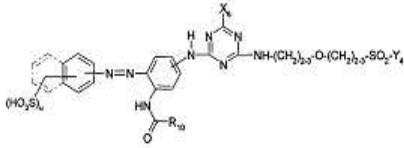
(2)



(3)

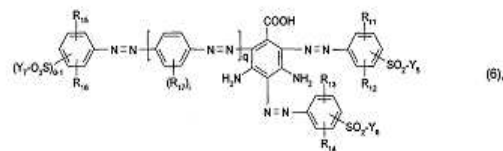


(4)



(5)

and



(6)

wherein

B is an aliphatic bridging member,
 R_1 , R_3 and R_8 are each independently of the others hydrogen or C_1 - C_4 alkyl,
 R_2 , R_4 , R_5 , R_9 , R_{11} , R_{12} , R_{13} , R_{14} , R_{15} and R_{16} are each independently of the others hydrogen, C_1 - C_4 alkyl, C_1 - C_4 alkoxy or sulfo,
 R_6 and R_{10} are each independently of the other amino or C_1 - C_4 alkyl,
 $(R_7)_j$ denotes j identical or different substituents selected from the group C_2 - C_4 alkanoylamino, ureido, C_1 - C_4 alkyl and C_1 - C_4 alkoxy,

$(R_{17})_i$ denotes i identical or different substituents selected from the group C_2 - C_4 alkanoylamino, ureido, sulfo, C_1 - C_4 alkyl and C_1 - C_4 alkoxy,

X_1 , X_2 , X_3 , X_4 , X_5 and X_6 are each independently of the others halogen, 3-carboxypyridin-1-yl or 3-carbamoylpyridin-1-yl,

Z_1 , Z_2 and Z_3 are each independently of the others a fibre-reactive group of the formula $-SO_2-Y_8$,

(7_a) or $-NH-CO-(CH_2)_{2-3}-SO_2-Y_9$ (7_b),

Y_1 , Y_2 , Y_3 , Y_4 , Y_5 , Y_6 , Y_7 , Y_8 and Y_9 are each independently of the others vinyl or a radical $-CH_2-CH_2-U$ and U is a group removable under alkaline conditions,

i , j , k and l are each independently of the other the number 0, 1 or 2,

m is the number 1 or 2,

n and u are each independently of the other the number 1, 2 or 3,

p and q are each independently of the other the number 0 or 1,

r and s are each independently of the other the number 0 or 1, and

t is the number 0, 1 or 2, and the sum of r , s and t is 2 or 3

65/2012

are suitable especially for the dichromatic or trichromatic dyeing or printing of cellulosic fibre materials and yield dyeings or prints having good reproducibility and good all-round fastness properties.

DOW AGROSCIENCES LLC, U.S.A.—
 “SYNERGISTIC HERBICIDAL COMPOSITION CONTAINING PENOXULAM AND GLYPHOSATE”

A01N43/90, A01N57/18 & A01N57/08.

143273

A synergistic herbicidal composition containing penoxsulam and glyphosate controls weeds in crops, especially vines, range and pasture, industrial vegetation management, rights of way and in any glyphosate tolerant crop.

52/2013

LES LABORATORIES SERVIER, France.—
 “COMPOSITION FOR THE PROLONGED RELEASE OF TRIMETAZIDINE, WHEREIN THE INNER PHASE COMPRISES TRIMETAZIDINE AND THE OUTER LAYER COMPRISES A RETARDANT AND AN ANTI-AGGLOMERANT”.

A61K9/50 & A61K31/495.

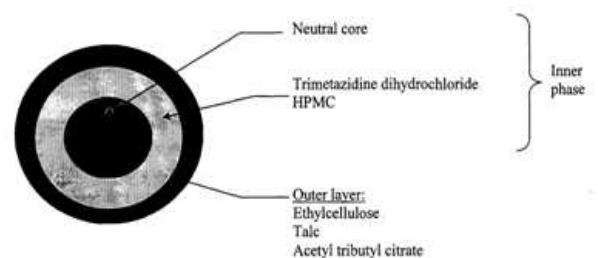
143274

The present invention provides a pharmaceutical composition for prolonged release of trimetazidine, wherein;

- an inner phase comprises trimetazidine coated onto a core;
- an outer layer comprises a retardant and an anti-agglomerant.

More particularly, the retardant present in the outer layer, i.e. a retardant for the diffusion of the active ingredient, is involved in the process of prolonged release.

The pharmaceutical composition according to the invention is applied by oral administration once per day and releases trimetazidine throughout the 24-hour period whilst providing a high level of security with respect to any "burst"-type or discontinuous release.



155/2014 BAYER CORPORATION, U.S.A.—“A SALT OF SUBSTITUTED ARYL UREA COMPOUNDS”.

C07C275/30 & C07D211/78.

143275

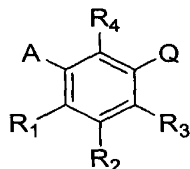
The present invention provides tosylate salt of a compound general described as aryl urea including both aryl and heteroaryl analogue, which inhibit the raf Kinase pathway. Thus, the invention is directed to salt which inhibits the enzyme raf kinase for the treatment of cancerous cell growth mediated by raf kinase.

221/2014 ProMetic BioSciences Inc., Canada.—“SODIUM 2-[3,5-DIPENTYLPHENYL] ACETATE COMPOUND”.

C07C57/32, A61K31/192, A61P19/04 & C02C59/52.

143276

The present invention relates to a pharmaceutically acceptable salt of the compound of formula:



wherein

A is C₅ alkyl, C₆ alkyl, C₅ alkenyl, C₆ alkenyl, C(O)-(CH₂)_n-CH₃ or CH(OH)-(CH₂)_n-CH₃ wherein n is 3 or 4;

R₁ is H, F or OH;

R₂ is C₅ alkyl, C₆ alkyl, C₅ alkenyl, C₆ alkenyl, C(O)-(CH₂)_n-CH₃ or CH(OH)-(CH₂)_n-CH₃ wherein n is 3 or 4;

R₃ is H, F, OH or CH₂Ph;

R₄ is H, F or OH; Q is

(CH₂)_mC(O)OH wherein m is 1 or 2,

CH(CH₃)C(O)OH,

C(CH₃)₂C(O)OH,

CH(F)-C(O)OH,

CF₂-C(O)OH, or

C(O)-C(O)OH.

The compound of the present invention and its pharmaceutically acceptable salt are useful for the prevention or treatment of various fibrotic diseases and conditions in subjects, including pulmonary fibrosis, liver fibrosis, skin fibrosis, renal fibrosis, pancreas fibrosis, systemic sclerosis, cardiac fibrosis or macular degeneration.

233/2014 Rehana Jafri, PSO, Dr. Arfa Yasmin, CSO, Dr. Zahra Yageen, PSO, Dr. Amir Ahmed, SSO, Irshad Ahmed Khan, EO, Ghulam Mustafa, RA., Pakistan.—“A process for preparation of novel complex of trivalent chromium with sorbitol, dextrin and citric acid as a dietary source”

143277

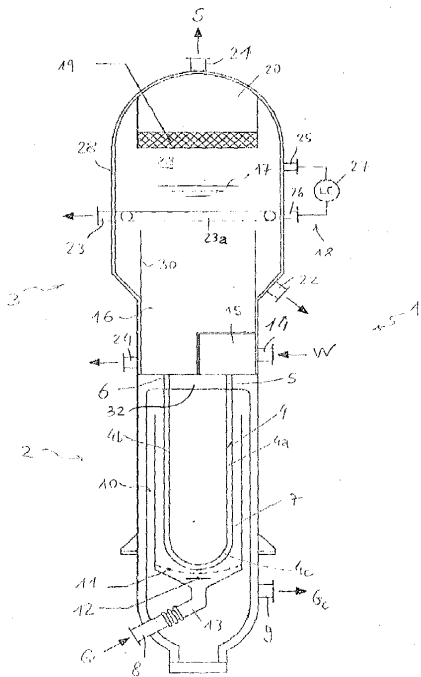
A process for preparation of a novel complex of trivalent chromium with sorbitol, dextrin and citric acid has been developed. Complex can be used as a dietary source of chromium to correct its deficiency in the body which is reported to be associated with vascular complication of diabetes mellitus, atherosclerosis and other complications. Process comprises complex formation by reacting following ingredients; chromium hydroxide, sorbitol, dextrin, citric acid and sodium hydroxide at 200 °C in basic medium for a period of 2 hours. pH of the complex lies between 8.6 - 10, isoelectric point 4.0-3.9, density 1.084, viscosity 0.0438 poise at 25 °C and metal % yield is 96%. Complex can safely be used as a source of dietary chromium to correct its deficiency in the body without causing toxic reactions.

596/2014 CASALE SA, Switzerland.—“A shell-and-tube apparatus for heat recovery from a hot process stream”.

F22B1/18.

143278

A shell-and-tube apparatus (1), suitable for use as a waste heat boiler, comprising a vessel with an exchanging section (2) and a separating section (3), wherein: said exchanging section (2) contains a bundle of U-tubes (4) fed with an evaporable liquid medium such as water (W) and exposed to a hot gas (G) flowing in a hot chamber around said tubes, so that said medium is partially evaporated in the tubes while recovering heat from hot gas flowing in the hot chamber (7); said separating section (3) comprises a collection chamber (16) in communication with outlet of the tubes (4) to receive the partially evaporated medium leaving the tubes; said separating section (3) is arranged to provide separation of vapour fraction and liquid fraction from the partially evaporated medium at least partially by gravity; the apparatus also comprises means for controlling the liquid level in the collection chamber and for a partial recycle of the non-evaporated liquid.



641/2014 COMSATS Institute of Information Technology, Pakistan.—“A Bio-Electrochemical Cell for Bioharvesting of Greenhouse Gases and Renewable Energy to Biochemicals”.

C25B3/00.

143279 3/2015

A Bioelectrochemical cell developed using carbon cloth with stainless steel as biocathode and chromium as anode while separating the two compartments by cation exchange membrane. The biofilm of at least one acetogen is developed on cathode and placed at specific distance from anode. Waste greenhouse gases emitted from fossil fuel burning and from anthropogenic activities are configured to harvest for biochemical using bioelectrochemical cell. The present invention not only provide solution to reduce air pollution but also provide a renewable source of industrially important chemicals.

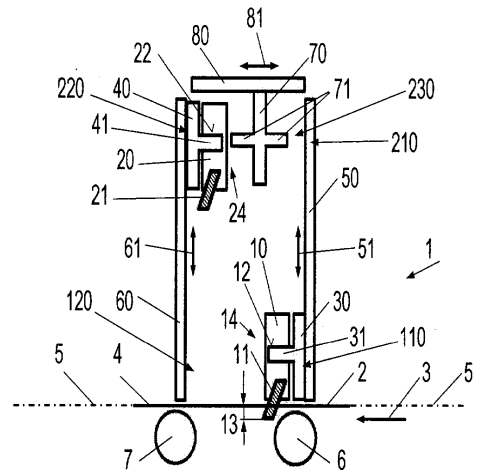
690/2014 Starlinger & Co. Gesellschaft m.b.H., Austria.—“A Cutting Device for longitudinally cutting a plastic film web”.

B26D5/02, B26D7/26, B26D7/12, B26D5/08 & B26D1/03.

143280

The invention relates to a cutting device (1) for longitudinally cutting a film web (2), in particular a plastic film web (2), moved in a web plane (5) in a transport direction (3) into a plurality of film bands (4), wherein a first cutter bar (10, 20) provided with cutting blades

(11, 21) is immersed with the cutting blades (11, 21) in a cutting position (110, 120) into the web plane (5). In order to replace the cutter bar (10, 20), a second cutter bar (20, 10) provided with cutting blades (21, 11) may be immersed with its cutting blades (21, 11) into the web plane (5), wherein the first cutter bar (10, 20) may be moved from the cutting position (110, 120) into a transfer position (210, 220) outside of the web plane (5) when the second cutter bar (20, 10) is immersed with its cutting blades (21, 11) into the web plane (5).



SAINT-GOBAIN PLACO, France.—“PLASTER-BASED MATERIAL CONTAINING A METAL COMPLEX OF EDTA”.

C04B 111/00, C04B28/14 & C04B 24/12.

143281

The present invention relates to a plaster-based material, in particular a plasterboard intended for the interior fitting of dwellings, which contains a metal complex of EDTA. The invention also relates to the use of the said material for reducing the amount of volatile organic compounds present in the atmosphere inside dwellings, offices or public buildings.

145/2015 Monsanto Technology LLC., U.S.A.—“RECOMBINANT DNA MOLECULE FROM A TRANSGENIC MAIZE MON 87419 EVENT AND METHOD FOR DETECTION THEREOF”.

A01H 5/00, C12N5/04 & C12N15/82.

143282

The present invention provides a recombinant DNA molecule comprising a sequence selected from the group consisting of SEQ ID NO: 1, SEQ ID NO:2, SEQ ID NO:3, SEQ ID NO:4,

SEQ ID NO: 5, SEQ ID NO:6, SEQ ID NO:7, SEQ ID NO:8, SEQ ID NO:9, and SEQ ID NO:10, wherein the DNA molecule is from a transgenic maize MON 87419 event.

The invention further provides a method of detecting the presence of the maize MON 87419 event in a sample of DNA, the method comprising: (a) contacting the sample with the DNA molecule; (b) subjecting the sample and the DNA molecule to stringent hybridization conditions; and (c) detecting hybridization of the DNA molecule to a target DNA molecule in the sample, wherein the hybridization of the DNA molecule to the target DNA molecule indicates the presence of the maize MON 87419 event in the sample of DNA. The invention also provides a method of producing a transgenic maize plant that is tolerant to glufosinate and dicamba herbicides.

850/2015 ELI LILLY AND COMPANY, U.S.A.—“GLUCOSE-DEPENDENT INSULINOTROPIC POLYPEPTIDE (GIP) AND GLUCAGON-LIKE PEPTIDE-1 (GLP-1) COMPOUND AND PHARMACEUTICAL COMPOSITION THEREOF”

C07K14/575, C07K14/605 & A61K 38/26.

143283

The present invention provides a compound of the formula: YX1EGTFTSDYSIX2LDKI-AQKAX3VQWLIAGGPSSGAPPPS; Wherein, X₁ is Aib; X₂ is Aib;

K at position 20 is chemically modified through conjugation to the epsilon-amino group of the K side-chain with ([2-(2-Amino-ethoxy)-ethoxy] -acetyl)2-(γG1u)_a-CO-(CH₂)_b-CO₂H wherein a is 1 to 2 and b is 10 to 20;

X₃ is Phe or 1-Nal;

and the C-terminal amino acid is optionally amidated as a C-terminal primary amide (SEQ ID NO: 11).

The compound of invention is a dual incretin peptide mimetic effect that agonize receptors for both human glucose-dependent insulinotropic polypeptide (GIP) and glucagon-like peptide-1 (GLP-1), and therapeutically effective to treat type 2 diabetes mellitus (T2D).

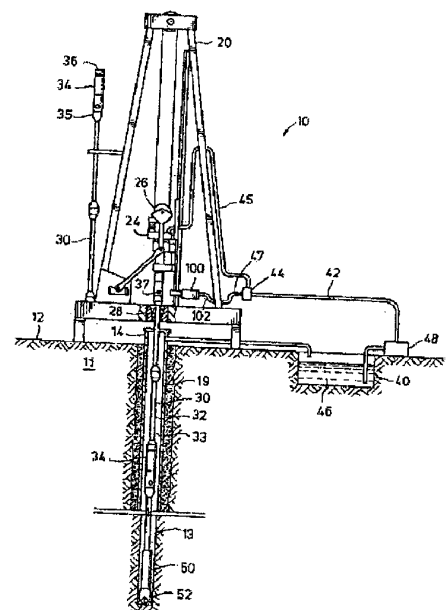
456/2016 HALLIBURTON ENERGY SERVICES, INC., U.S.A and ENI S.p.A., Italy.—“Continuous Circulation Sub Connection System”.

E21B21/10.

143284

A continuous circulation system and a connection assembly for establishing a threaded fluid seal to a side port of a

continuous circulating sub, according an embodiment, is disclosed, having independently rotatable and movable first and second first engagement mechanisms. The first engagement mechanism may include first and second wrenches for engaging a pressure tap, checking pressure, removing and reinstalling a safety plug. The second engagement mechanism may include an adapter pipe for creating a threaded seal with the side port thereby allowing reliable high-pressure flow. The connection assembly automates the steps of checking pressure within the sub between the radial valve and safety plug, removing the safety plug, screwing the threaded adapter pipe into the side port, providing a flow path for drilling fluid, disengaging the threaded adapter pipe, replacing the safety plug and returning the continuous circulation sub to its original operational state.



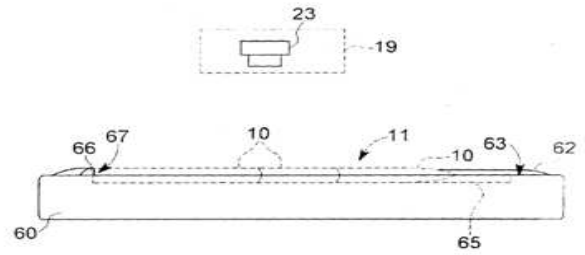
624/2017 Groz-Beckert KG, Germany.—“DEVICE AND METHOD FOR HANDLING FRAGMENTS OF A BROKEN NEEDLE”

D05B81/00 & A41H 31/00.

143285

The invention relatej to a device (40) and a method for handling fragments (10) of a broken needle (11), for example within the scope of a needle replacement of a broken needle (11) for a new needle (17). The fragments (10) of the broken needle (11) are arranged in a container (16) in a predefined position. An image (32) of the fragments (10) of the broken needle (11) is then recorded with the aid of a camera (23). The recorded image

(32) is stored at least at one storage location for documentation (32) and/or is evaluated in order to determine whether all fragments (10) of the broken needle (11) are present. Once the image (32) has been recorded, the container (16) is closed so as to prevent the fragments (10) of the needle (11) from being lost away from the sewing workstation.



SEALING FEES DUE-

Notice is hereby given that the Patent may now be sealed on the application referred to below if it is desired that Patent should be sealed a request on the prescribed Form-10 accompanied by the fee of Rs.4500/- should be sent to the Controller of Patents and Designs, The Patent Office, Karachi.

Accepted No.	Applicant Name	Application No.
143147	BP CORPORATION NORTH AMERICA INC., U.S.A.	429/2006
143148	BP Corporation North America Inc., U.S.A.	430/2006
143149	Novozymes A/S., Denmark.	674/2008
143150	XENON PHARMACEUTICALS INC., Canada	926/2009
143151	BP Corporation North America Inc., U.S.A.	891/2014
143152	Chiesi Farmaceutici S.p.A and Politecnico di Milano, Italy.	223/2013
143153	NOUMAN IDRIS BUTT, Pakistan.	114/2016

NEW APPLICATIONS FOR THE INDUSTRIAL DESIGNS

Design No.	Title & Class	Applicant
11th September, 2019		
20046	Single motor driven driven differential drive for tendon-based 3d-printable soft exoskeletal glove (Class-03)	Malik Naveed Akhter, Dr. Jawad Aslam and Dr. Syed Omer Gillani
20047	Semi-Active Knee Prosthesis for Transfemoral Amputees (Class-01)	National University of Sciences and Technology (NUST),

REGISTRATION OF DESIGNS

The following designs have been registered.

S. No.	Design No.	Title & Class	Applicant
13th September, 2019			
1.	19806	FRONT COMBINATION LAMP FOR AN AUTOMOBILE (Class-03)	TOYOTA JIDOSHA KABUSHIKI KAISHA
2.	18440	A packaging Box (Class-05)	KYB Corporation,
3.	19439	A packaging Box (Class-05)	KYB Corporation,
4.	19803	AUTOMOBILE (Class-01)	TOYOTA JIDOSHA KABUSHIKI KAISHA
5.	19801	FRONT BUMPER FOR AN AUTOMOBILE (Class-03)	TOYOTA JIDOSHA KABUSHIKI KAISHA
6.	19703	MARBLE PLATER (Class-04)	SHAHRINA HASHWANI KHAWAJA
7.	19732	medical instrument (Class-01)	DR.AFZAAL BASHIR BAJWA
8.	19729	Button Module (Class-03)	Traitel Technologies Corporation
9.	19777	KINETIC MONUMENTS (Class-12)	MUHAMMAD IQBAL
10.	19807	REAR COMBINATION LAMP FOR AN AUTOMOBILE (Class-03)	TOYOTA JIDOSHA KABUSHIKI KAISHA
11.	19808	REAR BUMPER AN AUTOMOBILE (Class-03)	TOYOTA JIDOSHA KABUSHIKI KAISHA
12.	19802	FRONT COMBINATION LAMP FOR AN AUTOMOBILE (Class-03)	TOYOTA JIDOSHA KABUSHIKI KAISHA
13.	19488	DISPLAY PANEL (CLASS-12)	Brita GmbH
14.	19648	MOTORCYCLE (Class 01)	HONDA MOTOR CO., LTD.
15.	19701	BOTTLE (Class-03)	Muhammad Akhtar

NEW APPLICATIONS FOR THE PATENTS**APPLICATION ACCEPTED**

The dates shown in the crescent brackets are the dates claimed under section 86 of the Patents Ordinance 2000.

16th September, 2019

626/2019 Aga Khan University, Pakistan.—“POSITIONING DEVICE FOR SUPPORTING AND STABILIZING A SPINAL POSITION OF A PATENT”

627/2019 GOLDFINCH BIO, INC., U.S.A. (Priority 18th September, 2018, US).—“PYRIDAZINONES AND METHODS OF USE THEREOF”.

628/2019 Pak Ethanol (Pvt) Limited, and DOW College Of Bio Technology, Pakistan.—“The process of treating distillery bio-digester effluent (DBDE) with concomitant microalgae biomass production”.

17th September, 2019

629/2019 ELI LILLY AND COMPANY, U.S.A. (Priority 26th September, 2018, US).—“6-FLUORO-2-METHYLBENZO[D]THIAZOL-5-YL COMPOUNDS”.

18th September, 2019

630/2019 Ionis Pharmaceuticals, Inc., U.S.A. (Priority 19th September, 2018, US).—“MODULATORS OF PNPLA3 EXPRESSION”

19th September, 2019

631/2019 PFIZER INC., U.S.A. (Priority 21st September, 2018, US).—“N-SUBSTITUTED-DIOXOCYCLOBUTENYLAMINO-3-HYDROXY-PICOLINAMIDES USEFUL AS CCR6 INHIBITORS”.

632/2019 Charbel Fawaz el Litany, Lebanon.—“Wireless Caller ID”.

633/2019 Enanta Pharmaceuticals, Inc., U.S.A. (Priority 21st September, 2018, US).—“FUNCTIONALIZED HETEROCYCLES AS ANTIVIRAL AGENTS”.

20th September, 2019

634/2019 Christopher S. Bryant ; Mark C. Manning and Ryan E. Holcomb, U.S.A (Priority 20th September, 2018, US).—“CARBETOCIN DRUG PRODUCT AND PROCESS FOR PREPARING SAME”.

635/2019 Mark C. Manning, Ryan E. Holcomb, Derrick Katayama and Christopher S. Bryant, U.S.A. (Priority 20th September, 2018, US).—“STABLE INTRANASAL FORMULATIONS OF CARBETOCIN”.

Notice is hereby given that the person interested in opposing the grant of Patents to any of the applications referred to below at any time within four months from the date of this Patents' journal may give notice at the Patent Office on the prescribed Form P-7 of the Patents Rules 18(1) of 2003.

The six figures number shown in the right hand side are those given to applications on acceptance of the complete specification under which the specification will be printed and subsequent proceeding taken.

The figures shown within square brackets after the title of inventions indicate their classification index at acceptance.

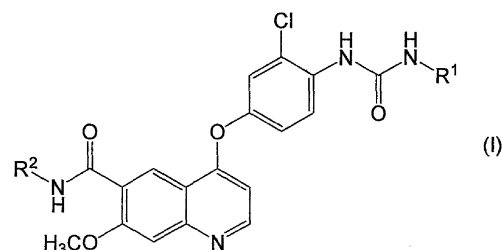
Typed copies of the specification which are to open to public inspection can be supplied by the Patent Office on payment of the prescribed charges which may be ascertained on application to the office.

94/2011 Eisai R&D Management Co., Ltd, Japan.—“PHARMACEUTICAL COMPOSITION COMPRISING QUINOLINE COMPOUND”.

C07D215/48, A61K47/36, A61K31/47, A61K47/38, A61P43/00 & A61P35/04.

143286

A pharmaceutical composition comprising a compound represented by the formula (I) or pharmaceutically acceptable salt thereof or solvate thereof; and a basic substance is excellent in dissolution, is stable even after a long term storage, and is useful as a preventive or therapeutic agent against a tumor:



wherein, R¹ is a hydrogen atom, a C₁₋₆ alkyl group

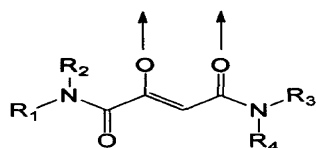
or a C₃₋₈ cycloalkyl group; and R² is a hydrogen atom or a methoxy group.

894/2013 Vifor (International) AG, Switzerland.—“IRON (III)-2-OXO-BUTANEDIAMIDE COMPLEX COMPOUND AND PHARMACEUTICAL COMPOSITION THEREOF”

A61K31/295 & A61P7/06.

143287

The present invention relates to iron(III) complex compound comprising at least one ligand of the formula (I):



(I)

wherein the arrows respectively represent a coordinate bond to one or different iron atoms, and the variables have the meanings mentioned in the claims and the description.

The present invention further provides a pharmaceutical composition comprising the iron(III) complex compound along with at least one carrier or excipient and in combination with at least one further therapeutic active agent which acts on the iron metabolism. The iron(III) complex compound of present invention is effective in the treatment and prophylaxis of iron deficiency symptoms and iron deficiency anemias.

NEW APPLICATIONS FOR THE INDUSTRIAL DESIGNS

Design No.	Title & Class	Applicant
16th September, 2019		
20048	Cardboard boxes (Packaging) (Class-05)	NUTRISET S.A.S.
20049	Cardboard boxes (Packaging) (Class-05)	NUTRISET S.A.S.
17th September, 2019		
20050	Gemstone (Class-03)	SHENZHEN PERFECT LOVE DIAMOND CO. LTD.
20051	Plastic Bottle	Maqbool Ahmed S/o. Bashir Ahmed
20052	Plastic Bottle	Maqbool Ahmed S/o. Bashir Ahmed
20053	MP3 AUDIO PLAYER (Class 1)	MUHAMMAD SARWAR
18th September, 2019		
20054	Plastic Bottle (Class 3)	Muhammad Farhan Yasin
20055	Radiator grill for an automobile (Class-01)	Hino Motors, Ltd.,

Design No.	Title & Class	Applicant
20056	Jamaat Tabdeeli SCH-15 (Class-03)	MRS. HUMAIRA ZUBAIR,
20th September, 2019		
20057	FITNESS GLOVE (Class-06)	MIRARI FOREVER INC.
20058	MAPTU-Mobile Atmospheric Pollutant Telemetry Unit (Class-12)	Muhammad Safeer Ul Azeem Abbasi, Rafia Mumtaz and Muhammad Moez Malik
20059	Dental Water Tip (Class 1)	Kang Ho Lim
20060	Retractor Serration 1 (Class 1)	Kang Ho Lim
20061	Retractor Serration 2 (Class 1)	Kang Ho Lim
20062	Retractor Serration 3 (Class 1)	Kang Ho Lim
20063	Retractor Serration 4 (Class 1)	Kang Ho Lim
20064	Universal Screw Driver (Class 1)	Kang Ho Lim
20065	Universal Instruments Cassette (Class 1)	Kang Ho Lim
20066	Packing Box 8 Corner (Class 1)	Kang Ho Lim
20067	Dental Elevator Tip (Class 1)	Kang Ho Lim
20068	Dental Handle (Class 1)	Kang Ho Lim
20069	Dental Handle Concave (Class 1)	Kang Ho Lim
20070	Dental Tip (Class 1)	Kang Ho Lim
20071	Dental Tip (Class 1)	Kang Ho Lim

Design No.	Title & Class	Applicant
20072	Dental Handle (Class 1)	Kang Ho Lim
20073	Extractor Screw Machine (Class 1)	Kang Ho Lim
20074	Teeth Extractor Tapper Screw (Class 1)	Kang Ho Lim
20075	Dental Implant Drill Guide (Class 1)	Kang Ho Lim
20076	Dental Implant Drill Guide (Class 1)	Kang Ho Lim
20077	Dental Implant Drill Guide (Class 1)	Kang Ho Lim
20078	Dental Implant Drill Guide (Class 1)	Kang Ho Lim
20079	Dental Implant Drill Guide (Class 1)	Kang Ho Lim

DR. MUHAMMAD FAYYAZ AHMAD,
Controller of Patents & Registrar of Designs